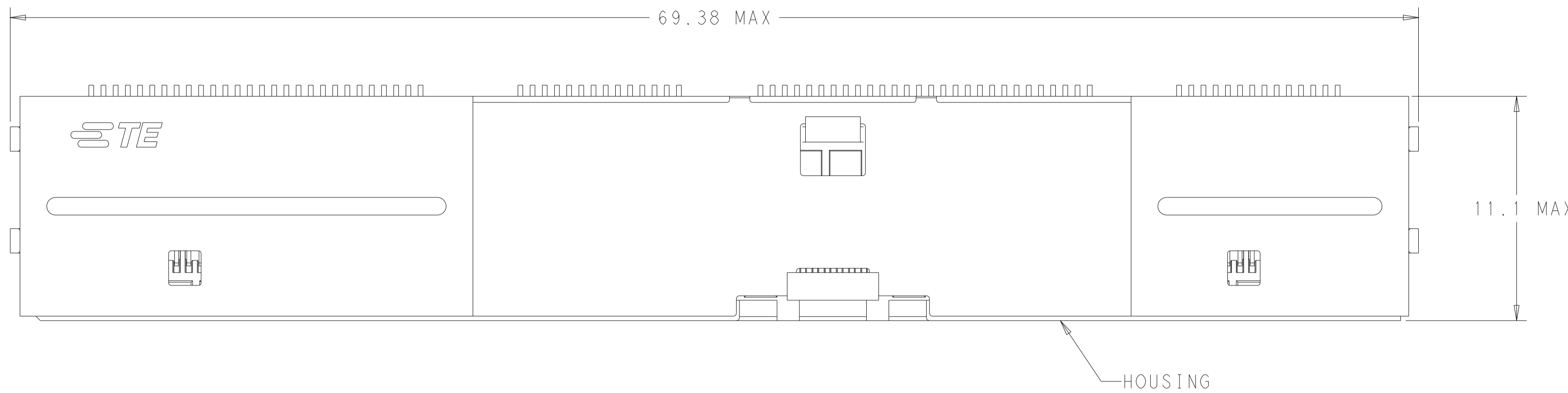
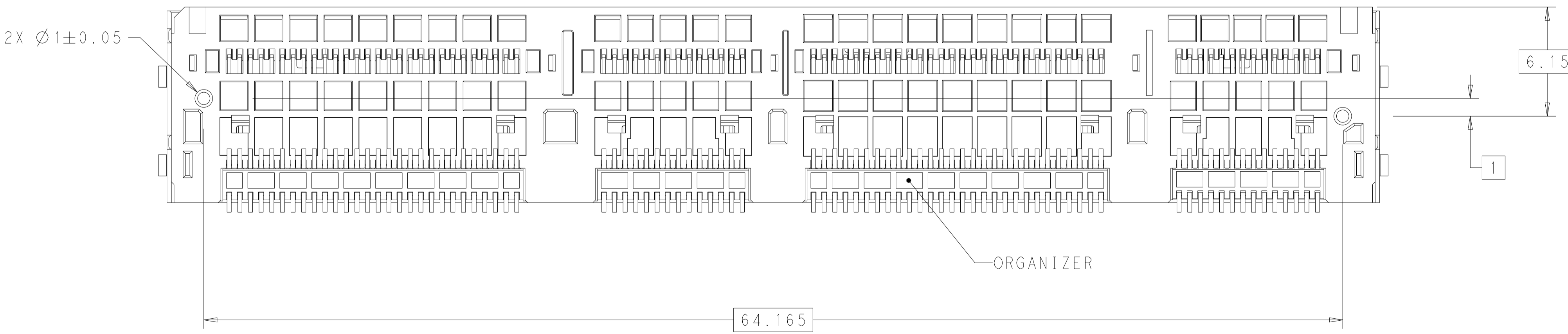
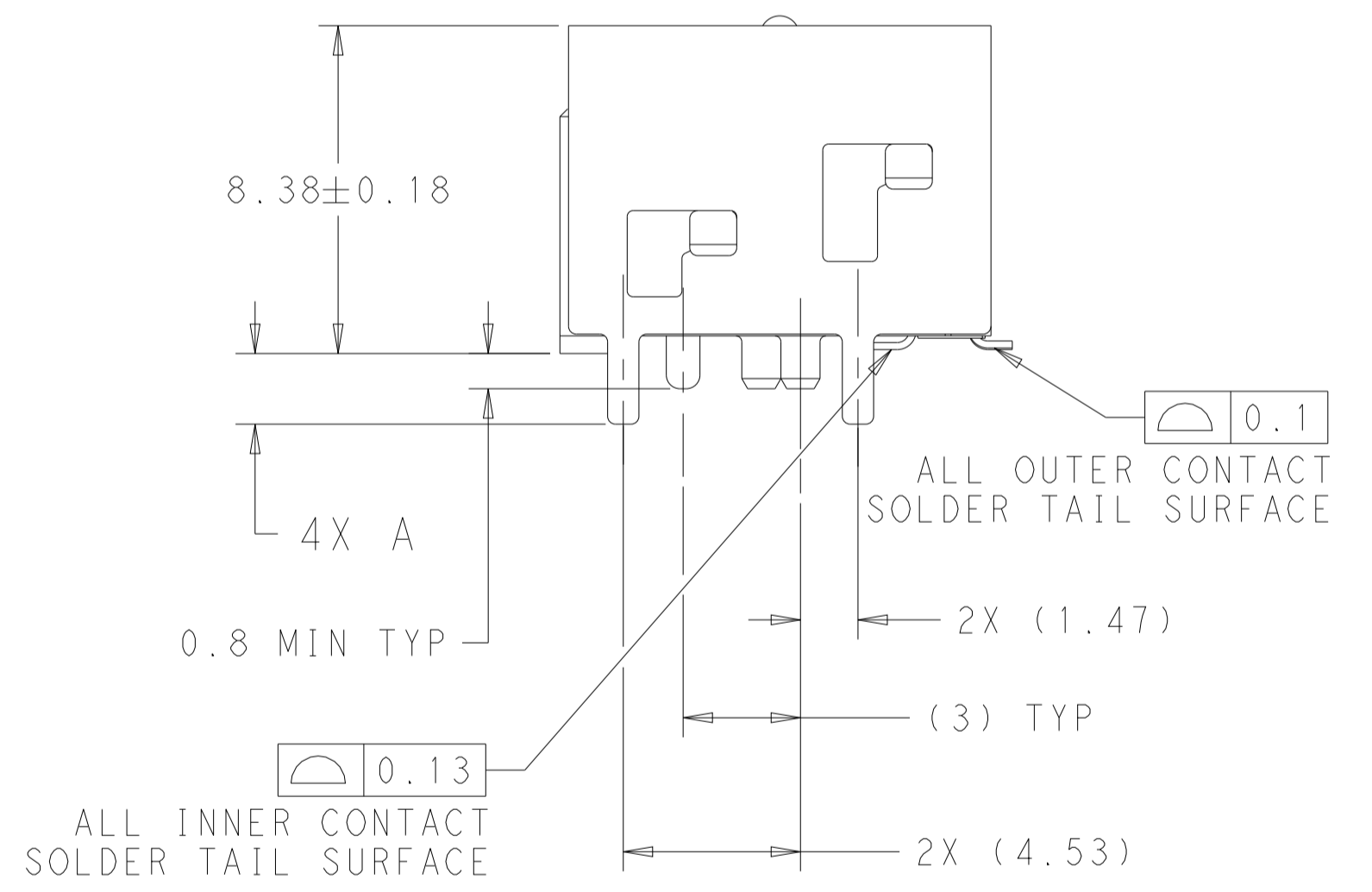
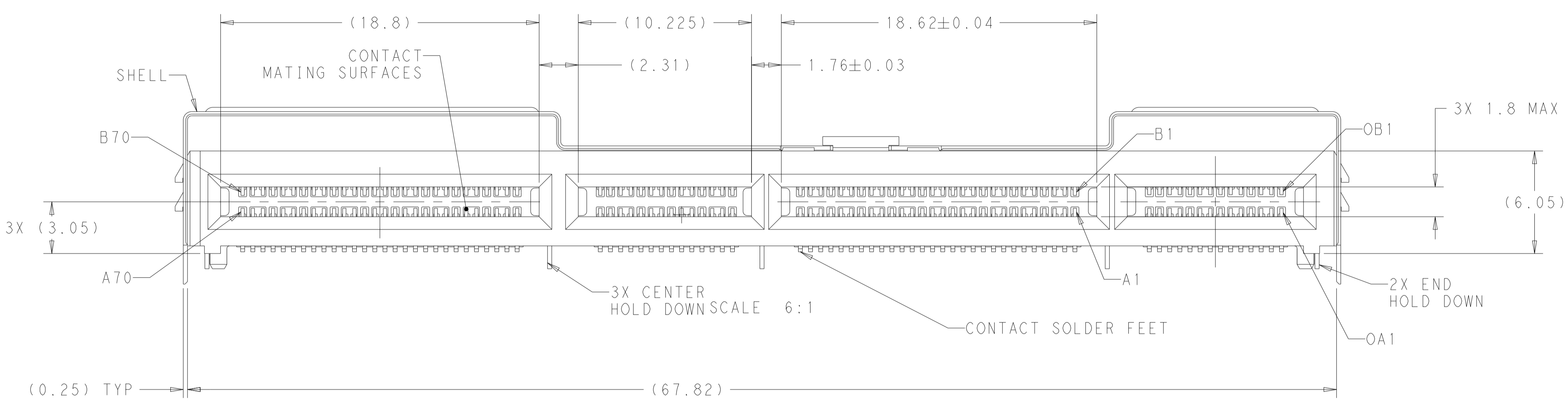


REVISIONS				
P	LTN	DESCRIPTION	DATE	APVD
A1		RELEASED PER ECN-22-192052	03JAN2023	CC DZ
A2		REVISED PER ECN-24-271244	18JUN2024	TR JM



- ① HOUSING, ORGANIZER - LCP, UL94V-0, BLACK.  
CONTACT OVERMOLDS - LCP, UL94V-0, BLACK.  
SHELL, CONTACTS AND HOLD DOWNS - COPPER ALLOY.
- ② CONTACTS - GOLD PLATE ON MATING SURFACES,  
TIN PLATE ON SOLDER FEET.  
HOLD DOWNS - TIN PLATE.  
SHELL - NICKEL PLATE, TIN PLATE ON HOLD DOWNS.
- ③ DATUMS AND BASIC DIMENSIONS ESTABLISHED BY CUSTOMER.
- 4. MINIMUM HOST PCB THICKNESS: 1.5.
- ⑤ SEE MSA SPECIFICATION FOR ADDITIONAL PADDLE CARD LAYOUTS COMPATIBLE WITH THIS RECEPTACLE AND FOR OPTIONAL SPLIT CONTACT PAD LAYOUTS FOR THE PADDLE CARD. SPECIFICATION PINOUT MAY ALSO DESIGNATE PAD SEQUENCE DIFFERENT FROM ILLUSTRATION.
- ⑥ POSITIONS DESIGNATED AS "SIGNAL" ARE REQUIRED LOCATIONS FOR HIGH SPEED DIFFERENTIAL PAIR SIGNALING. THESE LOCATIONS MAY ALSO BE USED FOR SUPPORTING SIDEBAND SIGNALS OR OTHER UTILITY PURPOSES. POSITIONS DESIGNATED AS "GROUND" ARE REQUIRED WHEN SUPPORTING HIGH SPEED DIFFERENTIAL SIGNALS. THESE LOCATIONS MAY ALSO BE USED FOR SIDEBAND SIGNALS OR OTHER UTILITY PURPOSES.
- ⑦ COMPONENT AND TRACE KEEP OUT AREA. EACH EDGE 0.15 MIN FROM EDGE OF HOLE.
- ⑧ TAPE AND REEL PACKAGED FOR PICK AND PLACE SURFACE MOUNT PROCESSING. SEE FIGURE 1.  
POCKET TAPE WIDTH = XX.

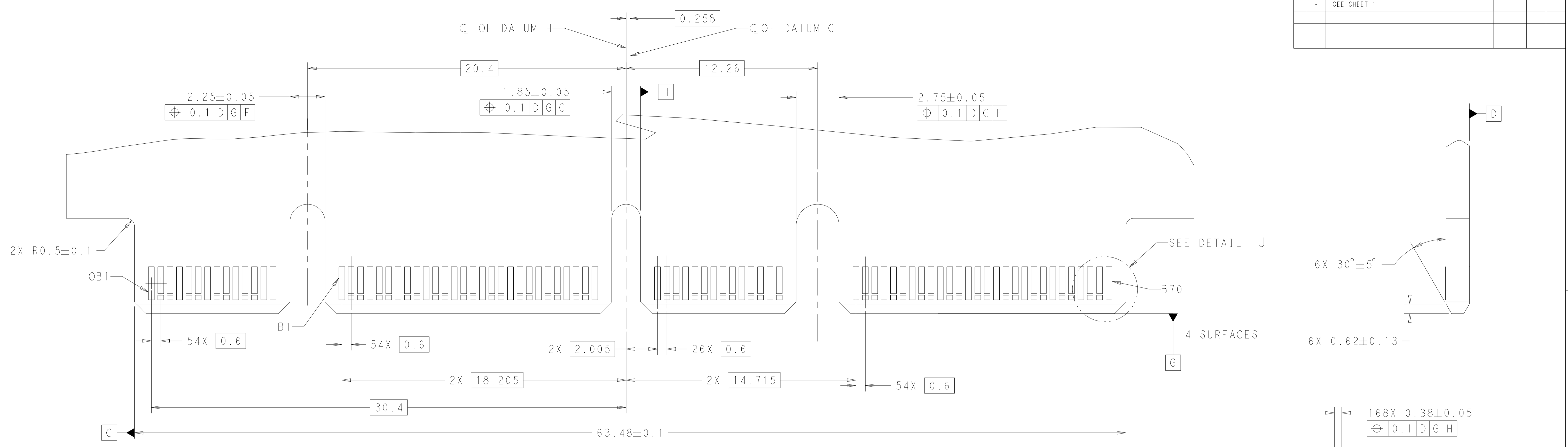


SEE SHEET 4 FOR PART TABLE

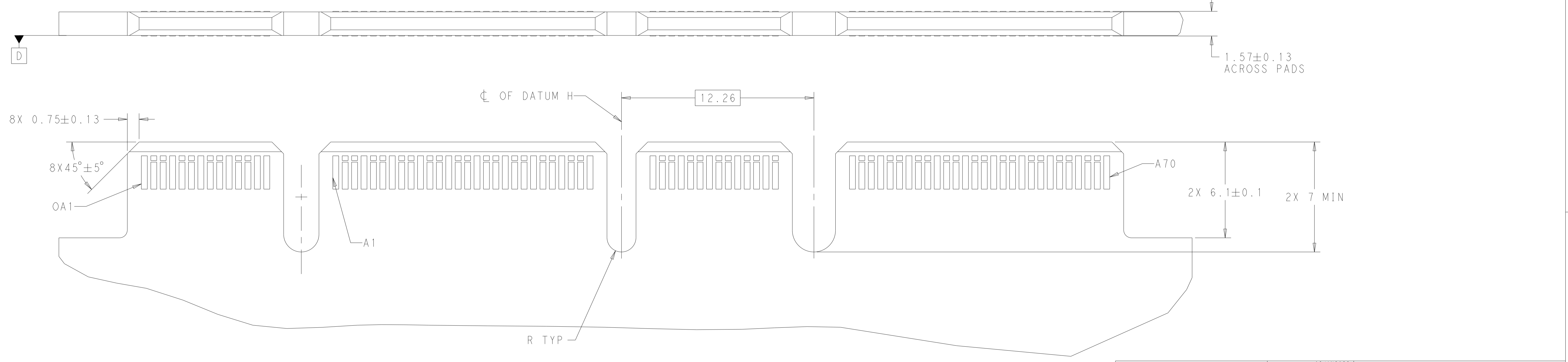
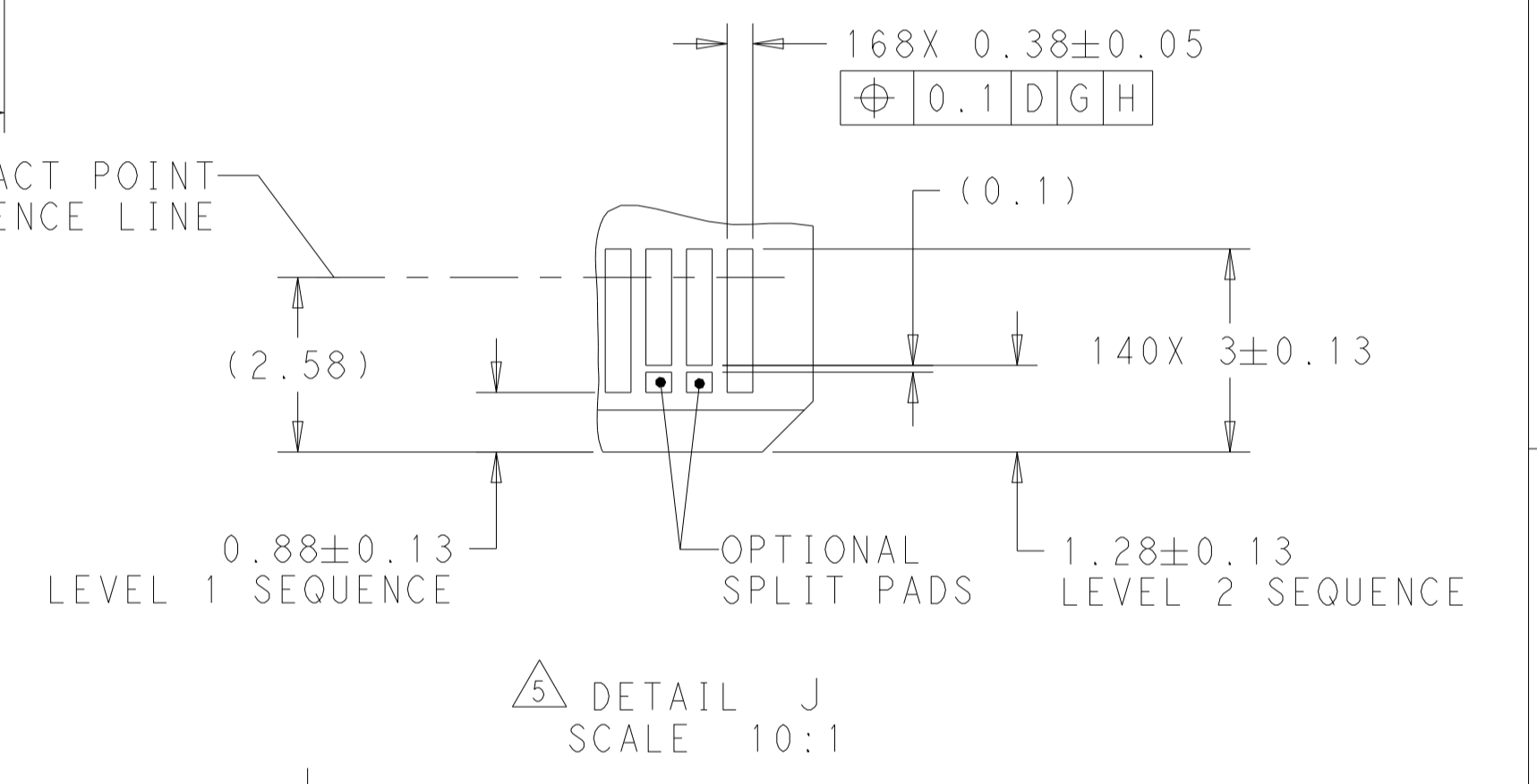
THIS DRAWING IS A CONTROLLED DOCUMENT.		OWN: CARTER CHEN 03JAN2023	TE Connectivity
DIMENSIONS: mm		CHK: DAVID ZHANG 03JAN2023	
TOLERANCES UNLESS OTHERWISE SPECIFIED:		APVD: DAVID ZHANG 03JAN2023	NAME: RECEPTACLE ASSEMBLY, RIGHT ANGLE, 168 POSITION, SILVER 2.0
0 PLC ±	1 PLC ±	PRODUCT SPEC	SIZE: CAGE CODE: DRAWING NO: RESTRICTED TO
2 PLC ±	3 PLC ±	APPLICATION SPEC	A1 00779 C=2369833
4 PLC ±	ANGLES ±	114-130015	WEIGHT: -
MATERIAL: ①		FINISH: ②	CUSTOMER DRAWING
SCALE: 8:1		SHEET: 1 OF 4	REV: A2



REVISIONS				
REV	DATE	DESCRIPTION	BY	APPV
-	-	SEE SHEET 1	-	-



RECOMMENDED PCB OUTLINE DIMENSIONS:  
 TOLERANCE VALUES ARE CRITICAL. PLEASE BE SURE TO DESIGNATE  
 TOLERANCE TO PCB SUPPLIER TO ENSURE OPTIMIZED FUNCTIONALITY.



THIS DRAWING IS A CONTROLLED DOCUMENT.		OWN: CARTER CHEN 03JAN2023	TE Connectivity
DIMENSIONS: mm		CHK: DAVID ZHANG 03JAN2023	
TOLERANCES UNLESS OTHERWISE SPECIFIED:		APVD: DAVID ZHANG 03JAN2023	NAME: RECEPTACLE ASSEMBLY, RIGHT ANGLE, 168 POSITION, SILVER 2.0
0 PLC ± 1 PLC ± 2 PLC ± 3 PLC ± 4 PLC ± ANGLES ± FINISH ±		PRODUCT SPEC: 108-130021 APPLICATION SPEC: 114-130015 WEIGHT: -	
MATERIAL:		SIZE: A1	RESTRICTED TO: -
CUSTOMER DRAWING		CAGE CODE: 2369833	SCALE: 8:1 SHEET 3 OF 4 REV: A2

REVISIONS				
P	LTN	DESCRIPTION	DATE	APVD
-		SEE SHEET 1	-	-

TABLE 1: CONNECTOR CONTACT IDENTIFICATION

CONTACT NUMBER	SIDE A	SIDE B
1	GROUND	GROUND
2	SIGNAL	SIGNAL
3	SIGNAL	SIGNAL
4	GROUND	GROUND
5	SIGNAL	SIGNAL
6	SIGNAL	SIGNAL
7	GROUND	GROUND
8	SIGNAL	SIGNAL
9	SIGNAL	SIGNAL
10	GROUND	GROUND
11	SIGNAL	SIGNAL
12	SIGNAL	SIGNAL
13	GROUND	GROUND
14	SIGNAL	SIGNAL
15	SIGNAL	SIGNAL
16	GROUND	GROUND
17	SIGNAL	SIGNAL
18	SIGNAL	SIGNAL
19	GROUND	GROUND
20	SIGNAL	SIGNAL
21	SIGNAL	SIGNAL
22	GROUND	GROUND
23	SIGNAL	SIGNAL
24	SIGNAL	SIGNAL
25	GROUND	GROUND
26	SIGNAL	SIGNAL
27	SIGNAL	SIGNAL
28	GROUND	GROUND
29	GROUND	GROUND
30	SIGNAL	SIGNAL
31	SIGNAL	SIGNAL
32	GROUND	GROUND
33	SIGNAL	SIGNAL
34	SIGNAL	SIGNAL
35	GROUND	GROUND

CONTACT NUMBER	SIDE A	SIDE B
36	SIGNAL	SIGNAL
37	SIGNAL	SIGNAL
38	GROUND	GROUND
39	SIGNAL	SIGNAL
40	SIGNAL	SIGNAL
41	GROUND	GROUND
42	GROUND	GROUND
43	GROUND	GROUND
44	SIGNAL	SIGNAL
45	SIGNAL	SIGNAL
46	GROUND	GROUND
47	SIGNAL	SIGNAL
48	SIGNAL	SIGNAL
49	GROUND	GROUND
50	SIGNAL	SIGNAL
51	SIGNAL	SIGNAL
52	GROUND	GROUND
53	SIGNAL	SIGNAL
54	SIGNAL	SIGNAL
55	GROUND	GROUND
56	SIGNAL	SIGNAL
57	SIGNAL	SIGNAL
58	GROUND	GROUND
59	SIGNAL	SIGNAL
60	SIGNAL	SIGNAL
61	GROUND	GROUND
62	SIGNAL	SIGNAL
63	SIGNAL	SIGNAL
64	GROUND	GROUND
65	SIGNAL	SIGNAL
66	SIGNAL	SIGNAL
67	GROUND	GROUND
68	SIGNAL	SIGNAL
69	SIGNAL	SIGNAL
70	GROUND	GROUND

CONTACT NUMBER	SIDE A	SIDE B
01	GROUND	GROUND
02	SIGNAL	SIGNAL
03	SIGNAL	SIGNAL
04	GROUND	GROUND
05	SIGNAL	SIGNAL
06	SIGNAL	SIGNAL
07	GROUND	GROUND
08	SIGNAL	SIGNAL
09	SIGNAL	SIGNAL
010	GROUND	GROUND
011	SIGNAL	SIGNAL
012	SIGNAL	SIGNAL
013	GROUND	GROUND
014	GROUND	GROUND

TABLE 1: CONNECTOR CONTACT IDENTIFICATION

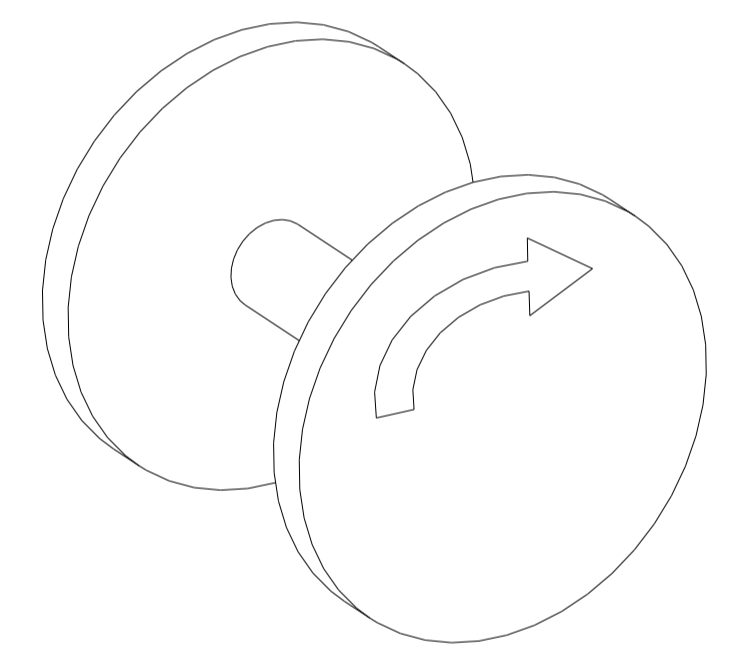
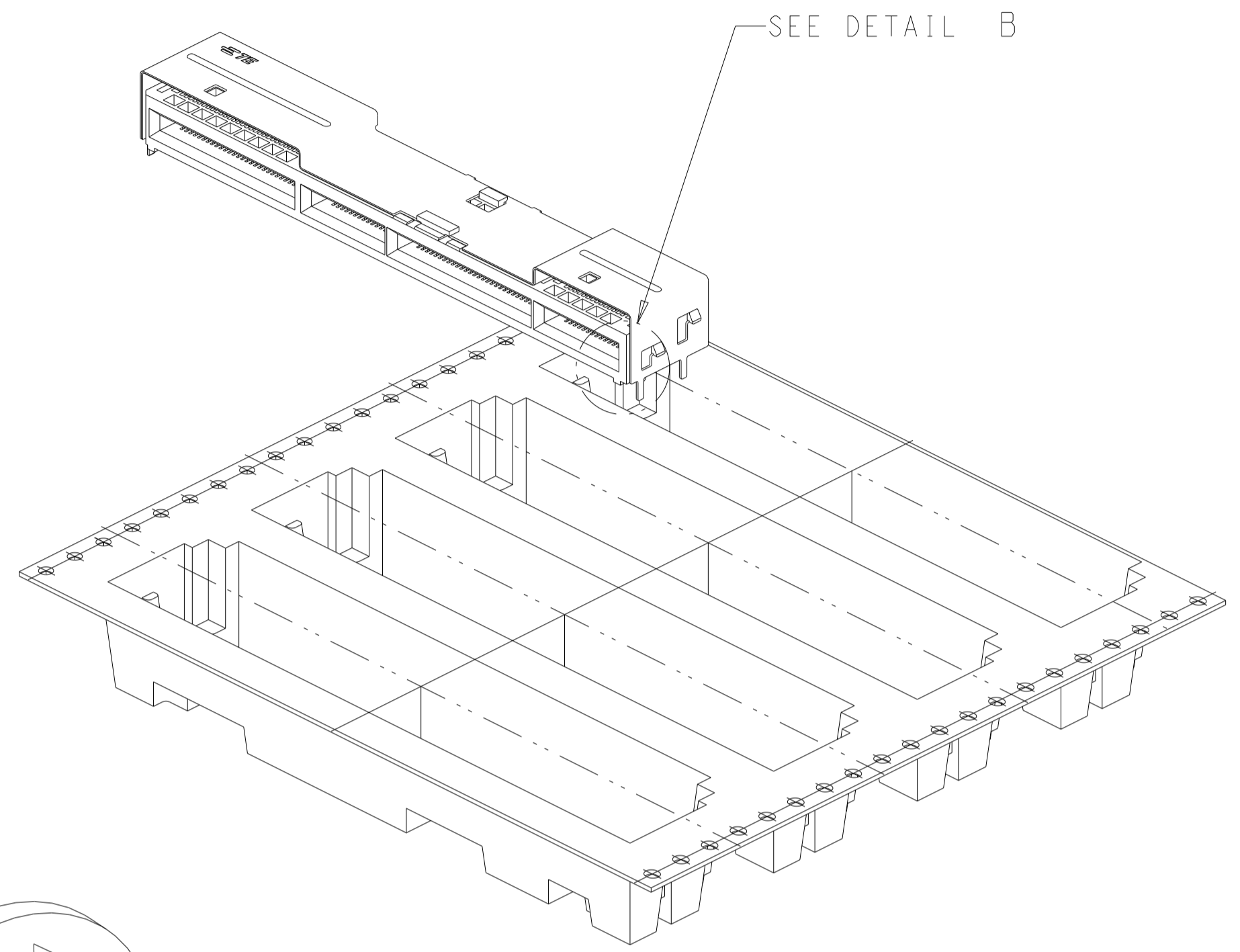
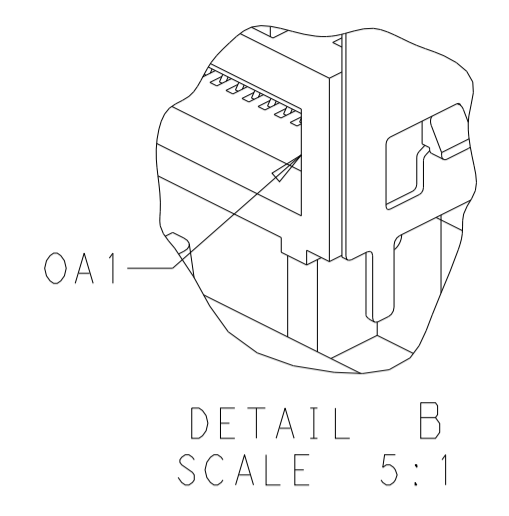


FIGURE 1  
DIRECTION OFF TOP OF REEL  
FOR USER UNREELING  
SCALE 2:1

PLATING	POCKET TAPE PITCH	REEL QUANTITY	MATING CYCLES	PART NUMBER
1.8 +0.2/-0.1	ENDS AND CENTER	20	350	200 2-2369833-2 100 2-2369833-1 50 2-2369833-0
1.2±0.2	ENDS	20	350	200 2369833-9 100 2369833-8 50 2369833-7
1.8 +0.2/-0.1	ENDS	20	350	200 2369833-6 100 2369833-5 50 2369833-4
1.8 +0.2/-0.1	ALL	20	350	200 2369833-3 100 2369833-2 50 2369833-1

THIS DRAWING IS A CONTROLLED DOCUMENT.

OWN: CARTER CHEN 03JAN2023  
CHK: DAVID ZHANG 03JAN2023  
APVD: DAVID ZHANG 03JAN2023

TE Connectivity

RECEPTACLE ASSEMBLY, RIGHT ANGLE, 168 POSITION, SILVER 2.0

SIZE: A1 CAGE CODE: 114-130015 DRAWING NO: 108-130021  
SCALE: 8:1 SHEET 4 OF 4 REV: A2