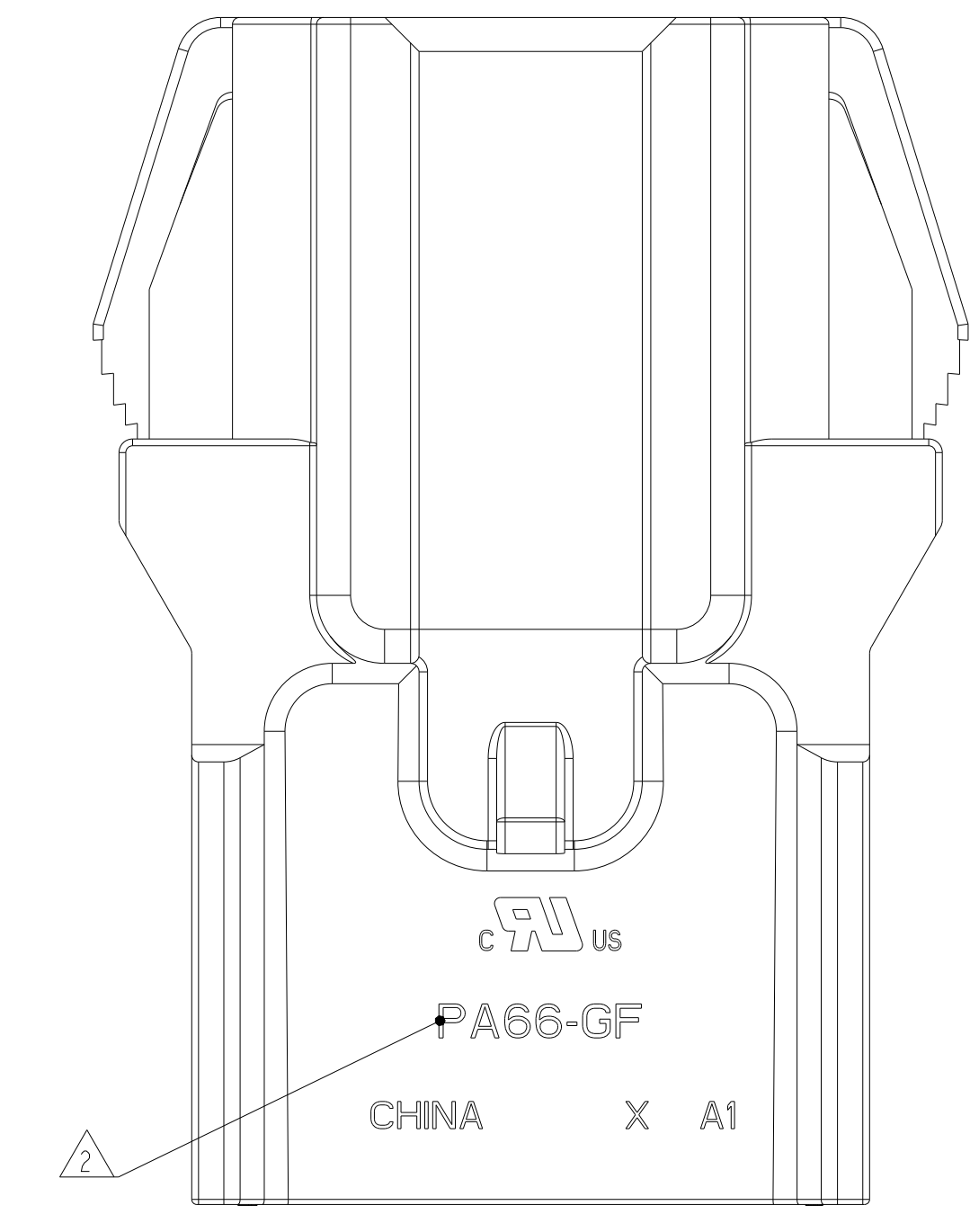
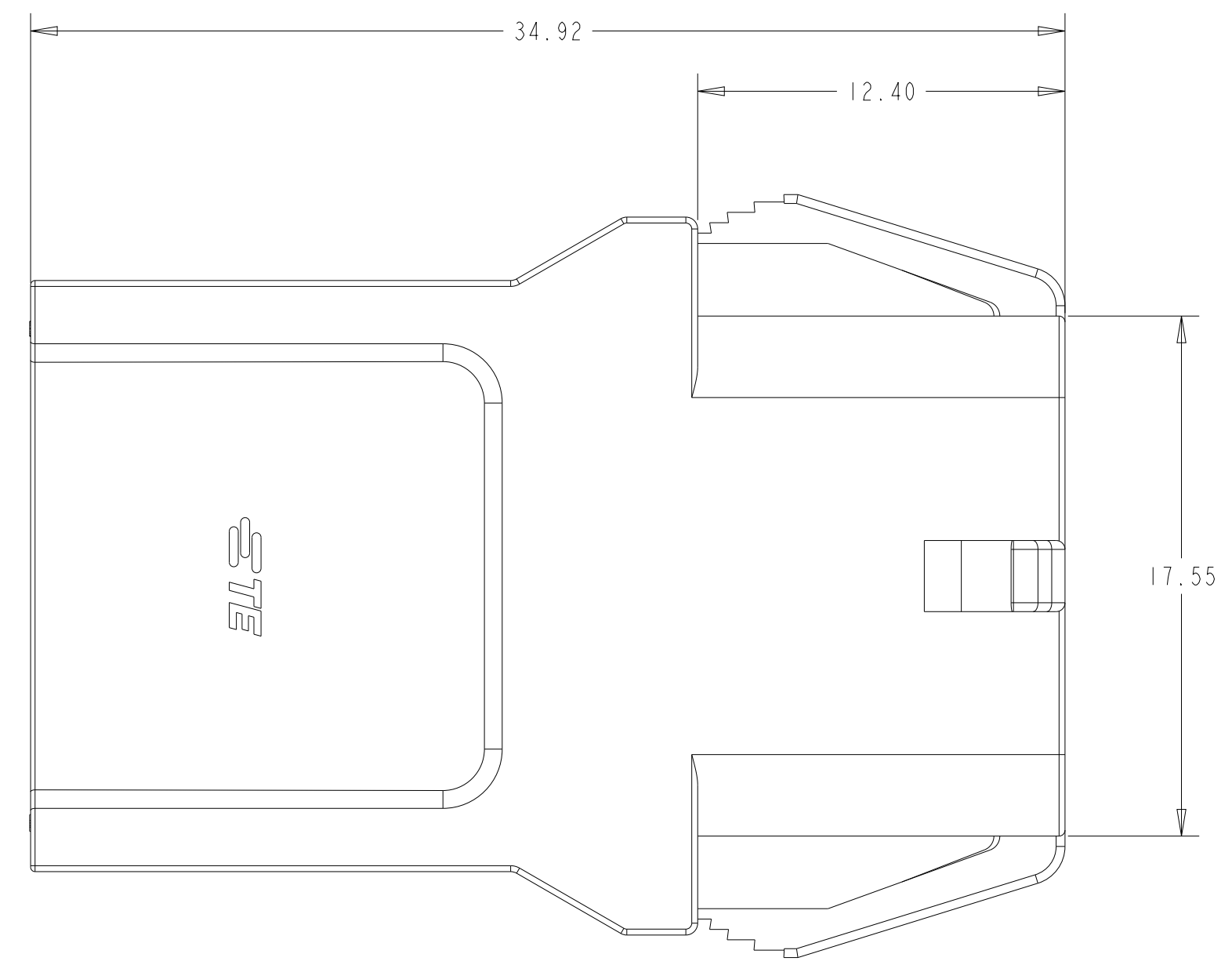


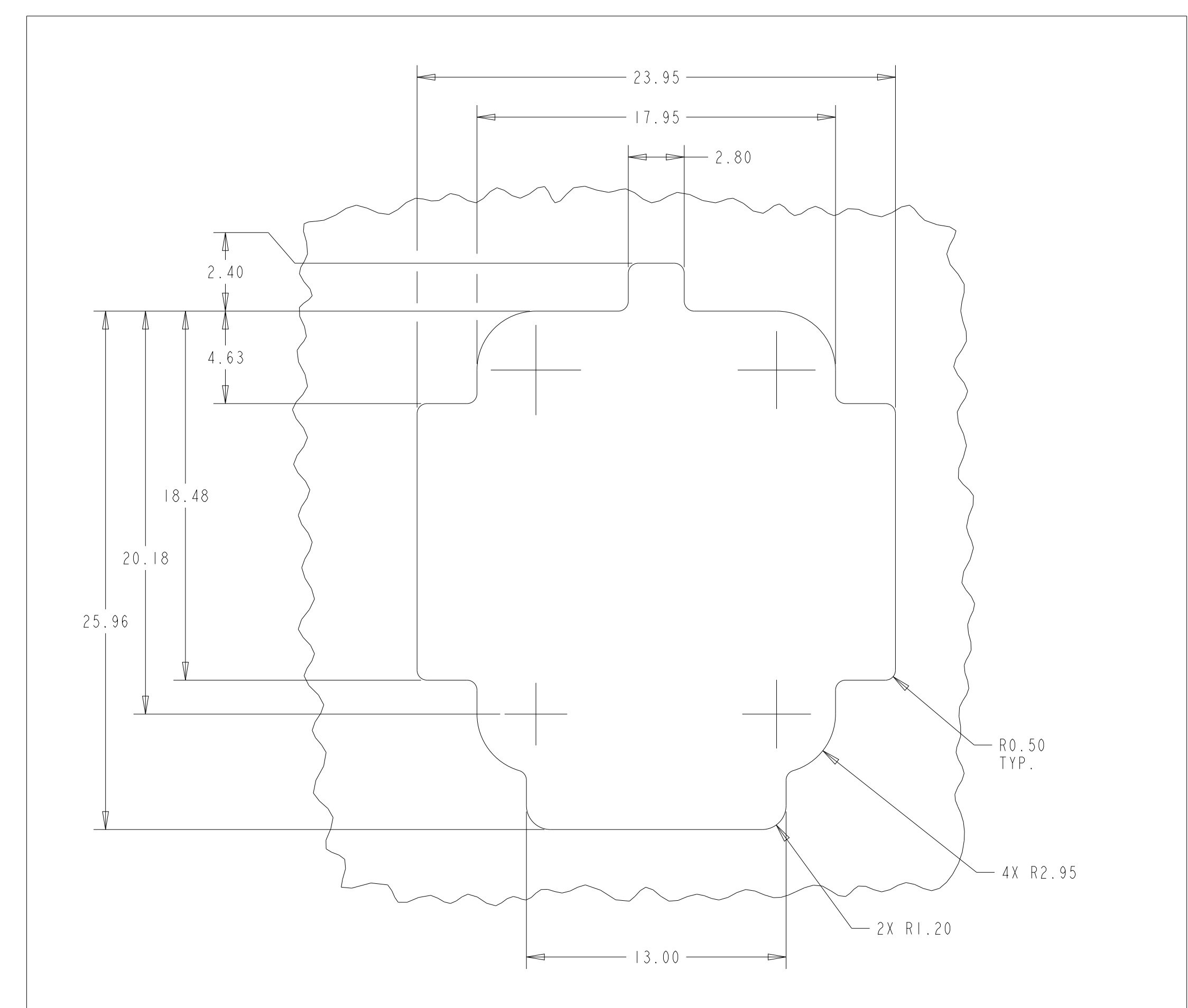
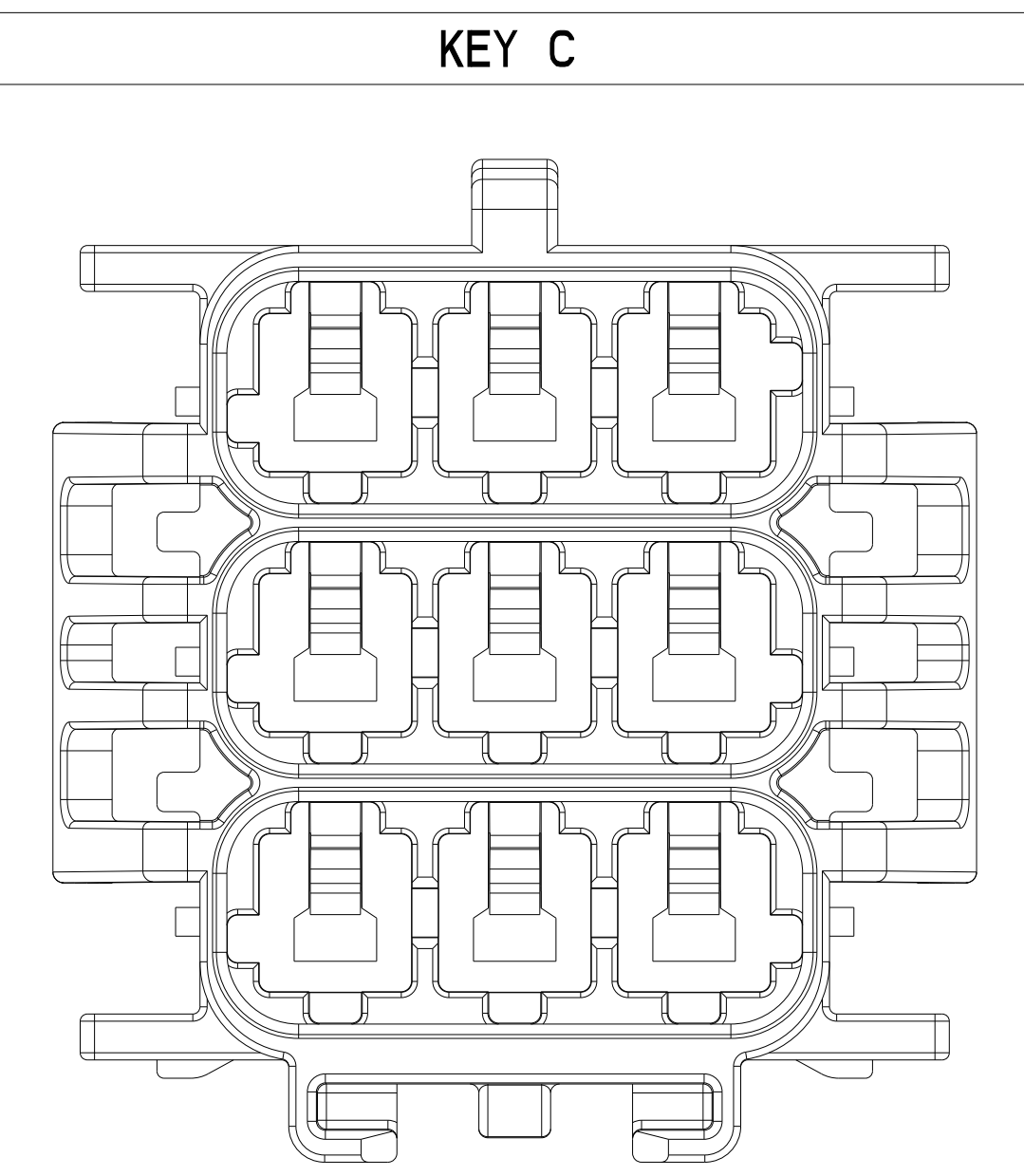
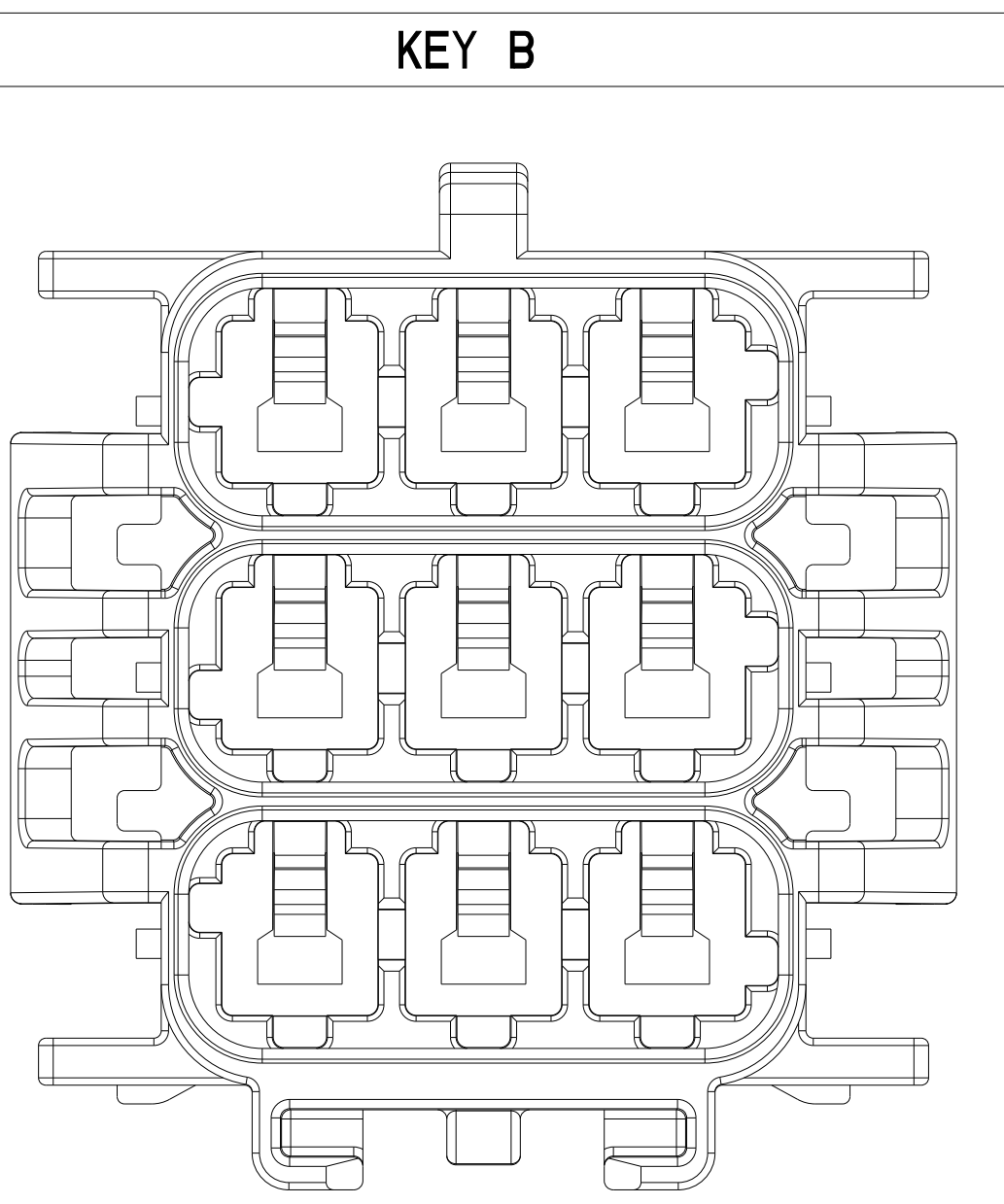
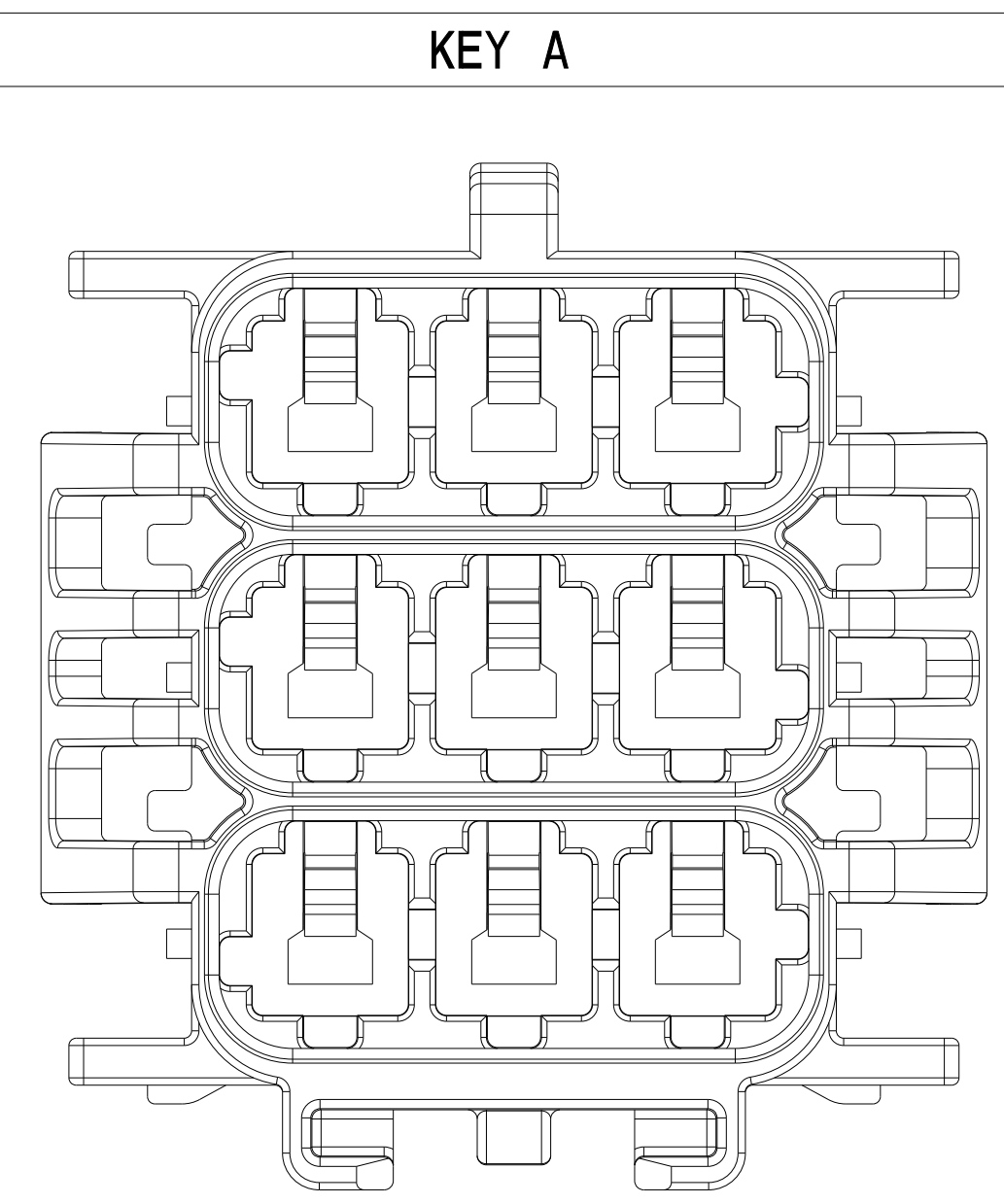
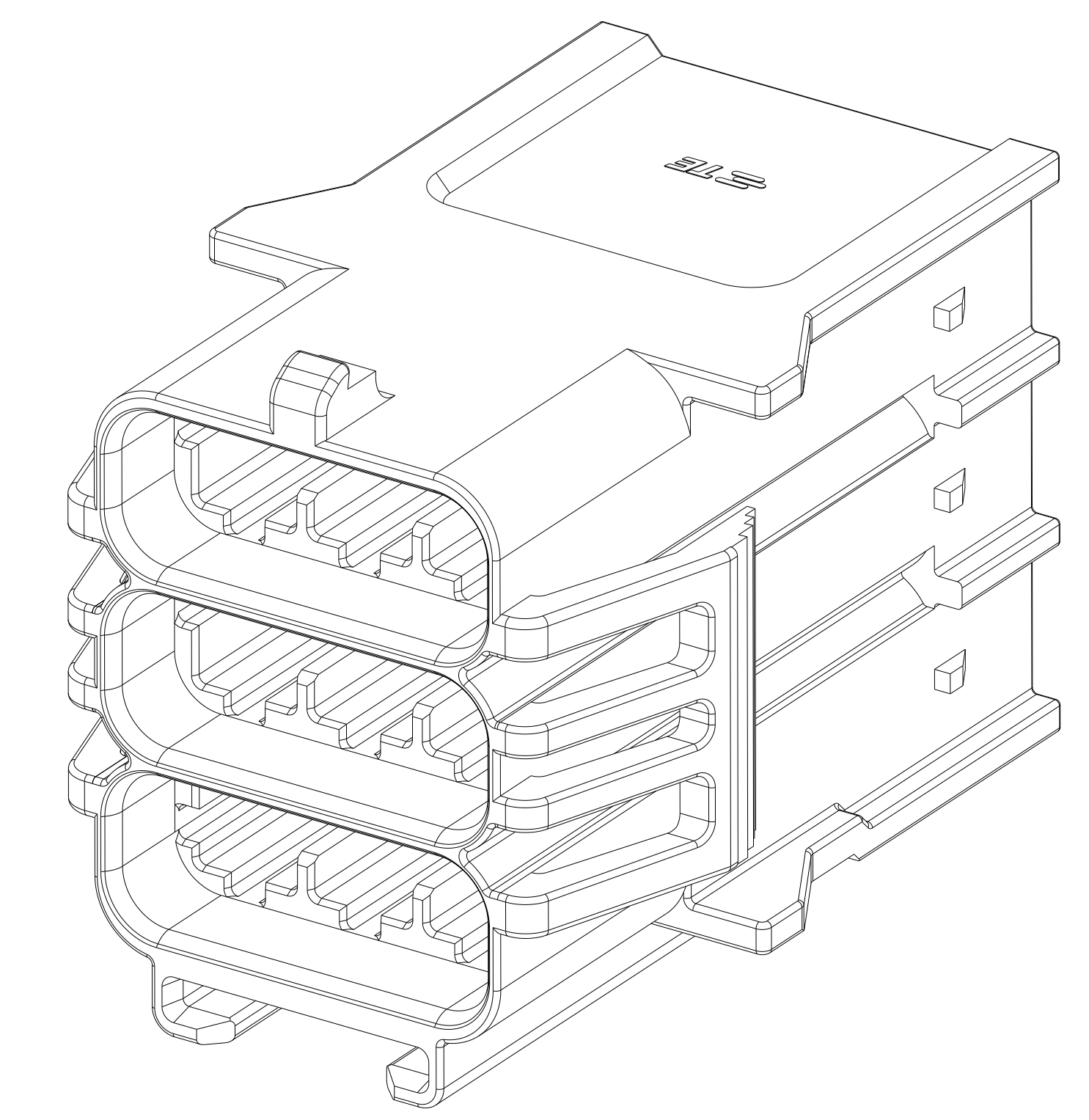
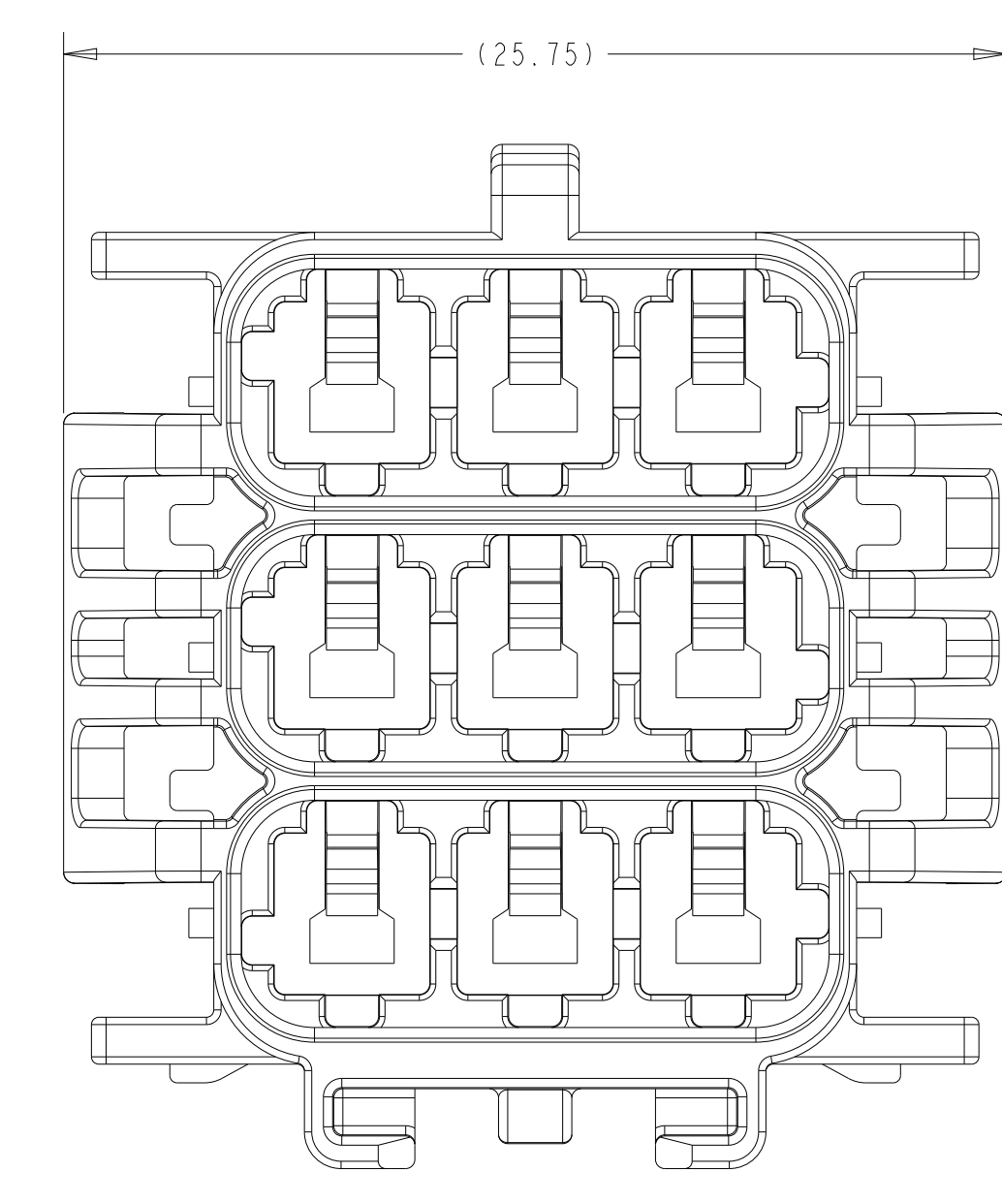
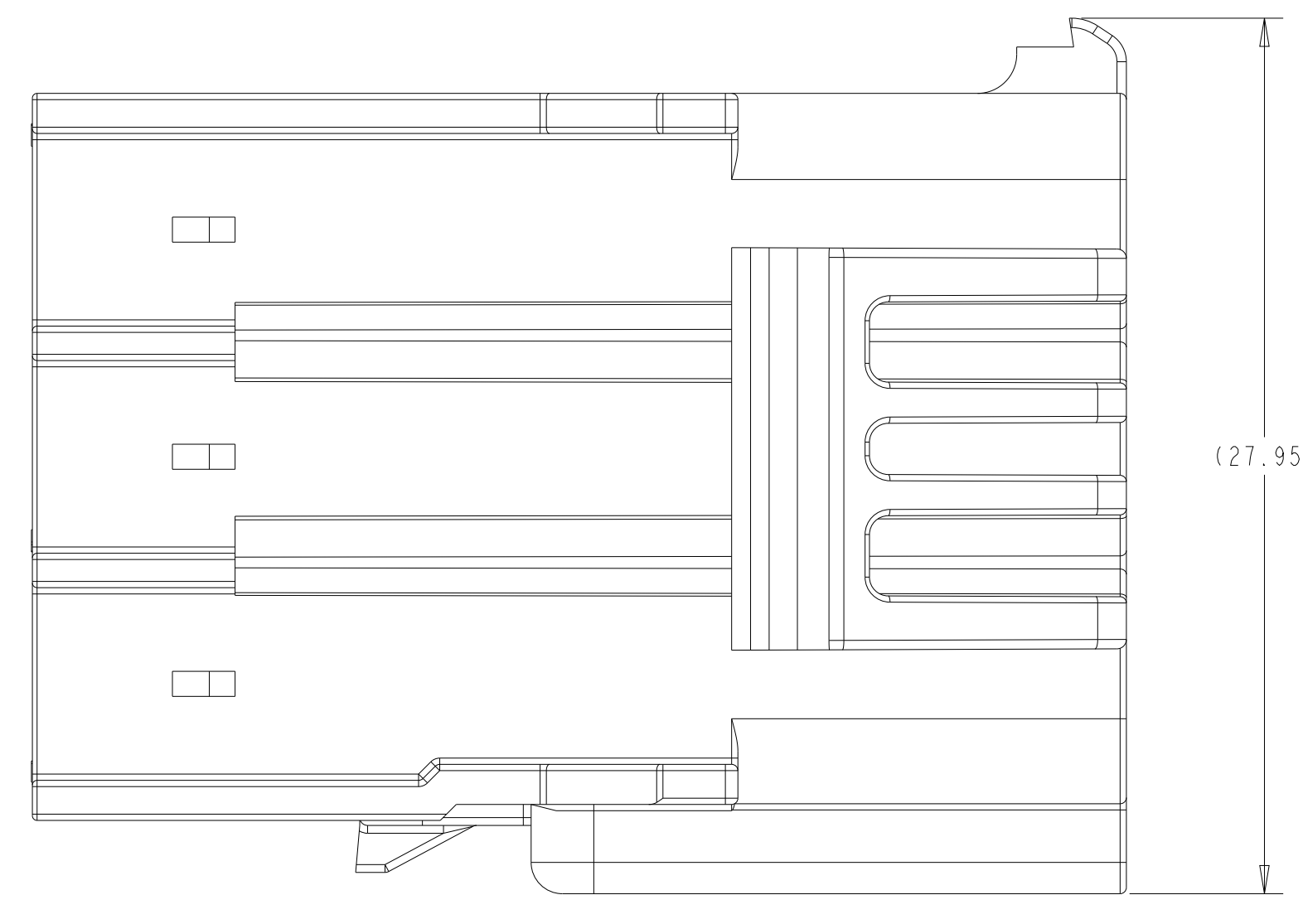
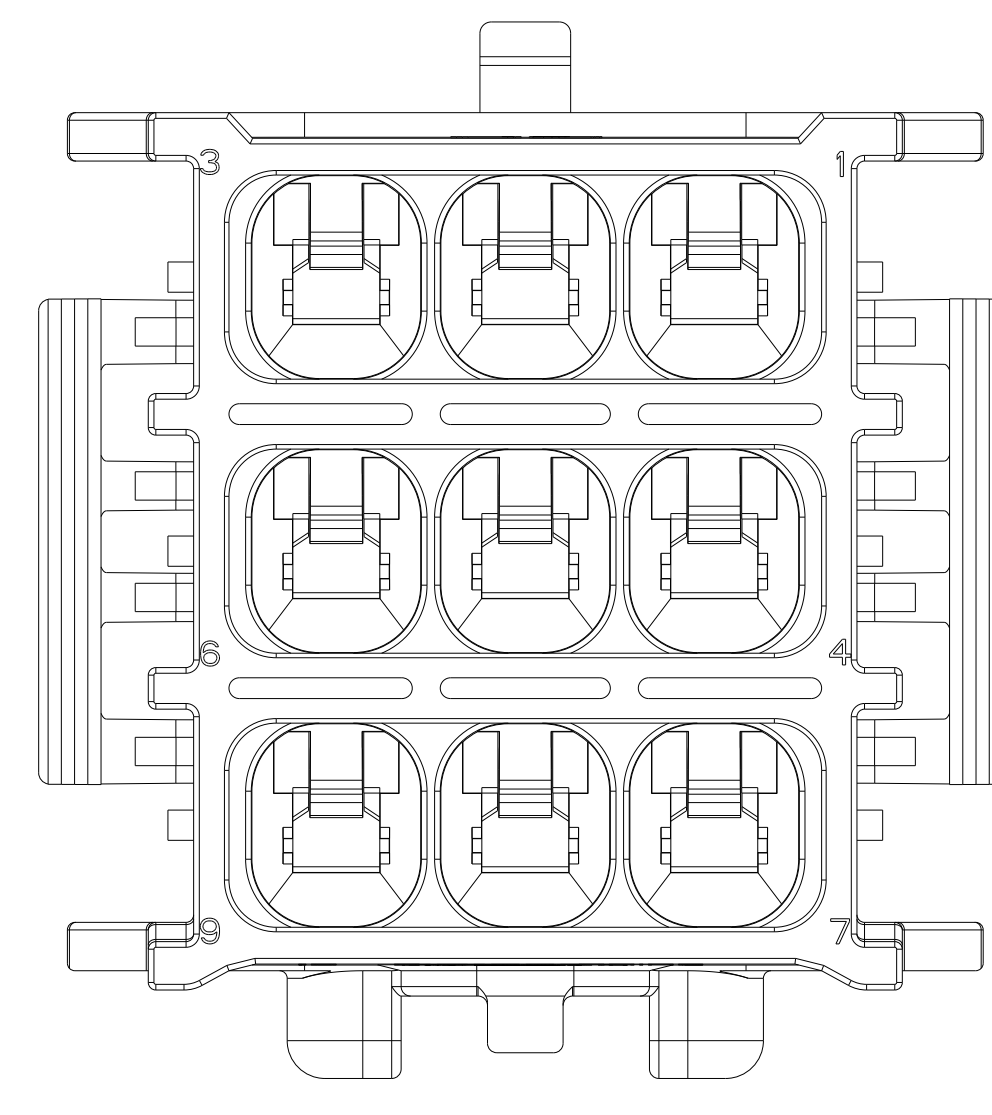
REVISIONS				
#	LTN	DESCRIPTION	DATE	APPD
A1		REVISED PER ECR-23-177499	01JUN2023	MV DS



ITEM	MATING CONNECTOR PART NUMBERS
1	PLUG HOUSING X-2370527-X
2	TERMINAL POSITION ASSURANCE (TPA) 2329016-3
3	FAMILY/GANG SEAL 2325349-3
4	BACK COVER 1-2325349-3
	2334614-3

ITEM	APPLICABLE TERMINAL PN
1	2329906-1
2	2329907-1
3	2329908-1
4	2329909-1
5	2329910-1
6	2329911-1

- ⚠ MATERIAL: PA66 - GLASS FILLED
- ⚠ MATERIAL MARK: PA66-GF
- ⚠ RECOMMENDED PANEL THICKNESS: 0.80-2.00
- ⚠ PANEL MUST BE PUNCHED SO THAT THE HOUSING ENTERS THE PANEL IN THE SAME DIRECTION AS THE PUNCH



RECOMMENDED PANEL CUT-OUT
(RECOMMENDED TOLERANCES FOR ALL DIMENSIONS ±0.15)

NATURAL	C	3 * 3	3-2370523-9
YELLOW	B	3 * 3	2-2370523-9
BLUE	A	3 * 3	1-2370523-9
COLOR	KEY	POSITION	PART NO

THIS DRAWING IS A CONTROLLED DOCUMENT. DATE: 2/FEB/2021

DESIGNED BY: V. SHETTYA, 2/FEB/2021
 CHECKED BY: D. SWARTZ, 2/FEB/2021
 APPROVED BY: V. SHETTYA, 2/FEB/2021

ITEM: 1-2370523-9
 VOLTAIR® SERIES
 OPERATING VOLTAGES: 0-50V
 PRODUCT SPEC: 108-143081
 APPLICATION SPEC: 114-143082

MATERIAL: PA66
 FINISH: NA

SCALE: 5:1
 SHEET: 1 OF 1
 REV: A1

TE Connectivity
 CAP HOUSING, 3x3 POWER VERSA LOCK STRAIGHT, PANEL MOUNT
 CUSTOMER DRAWING