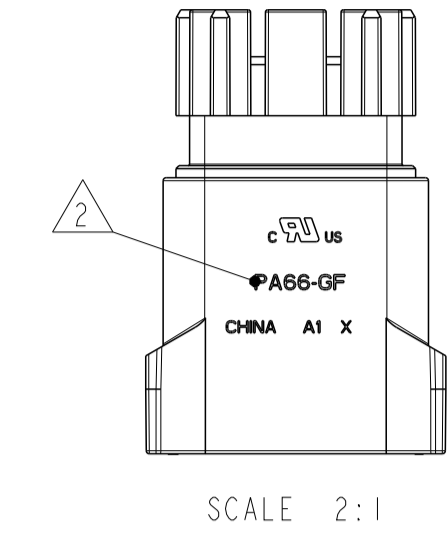
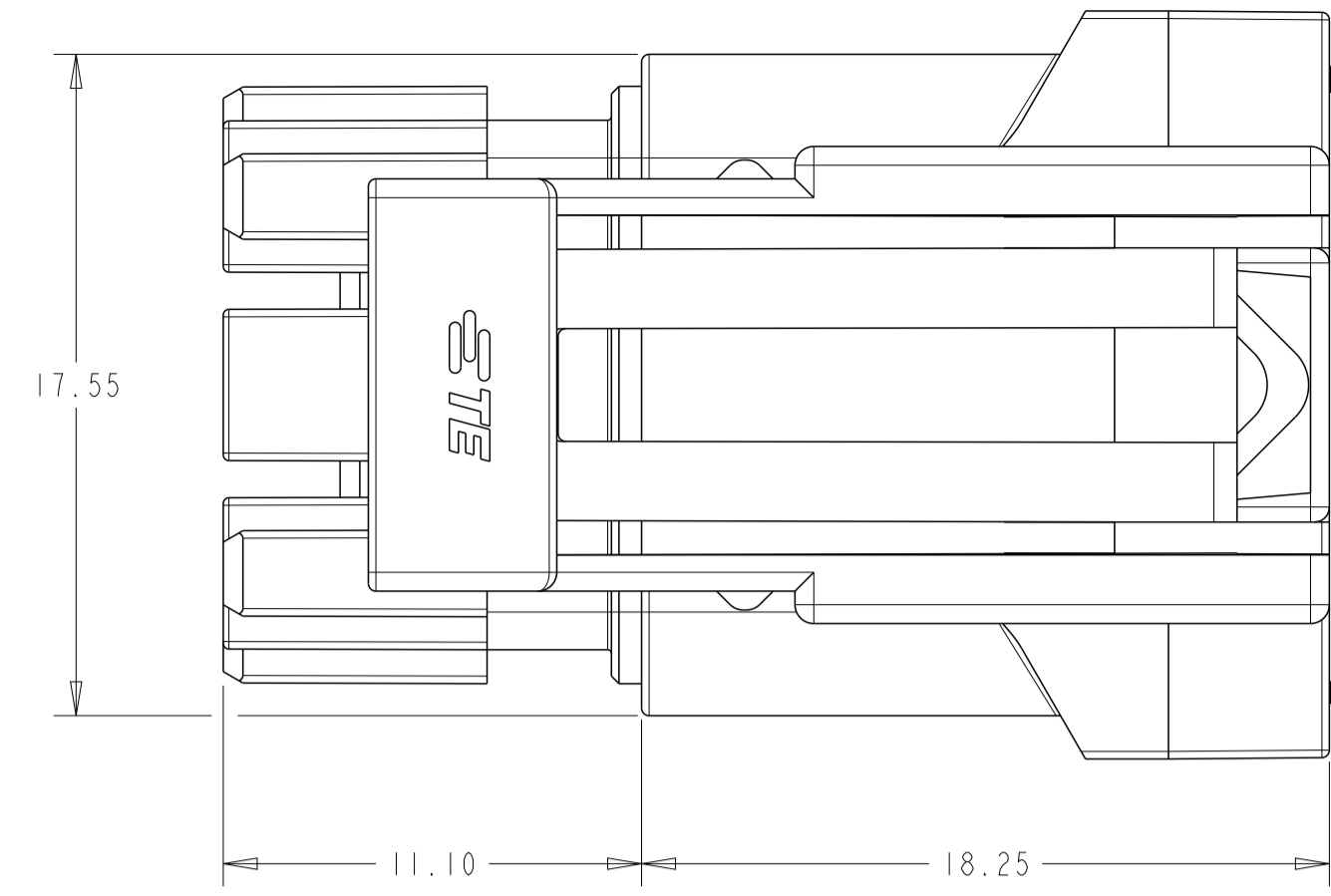


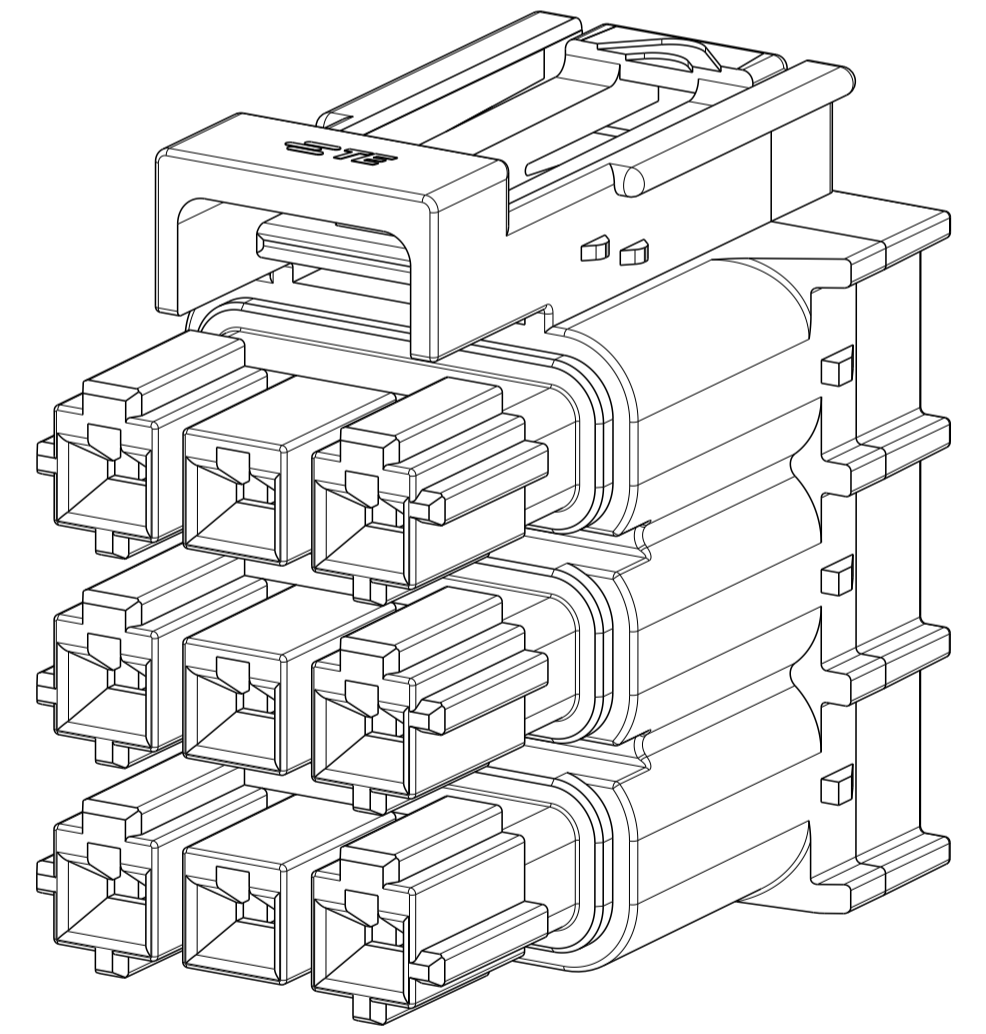
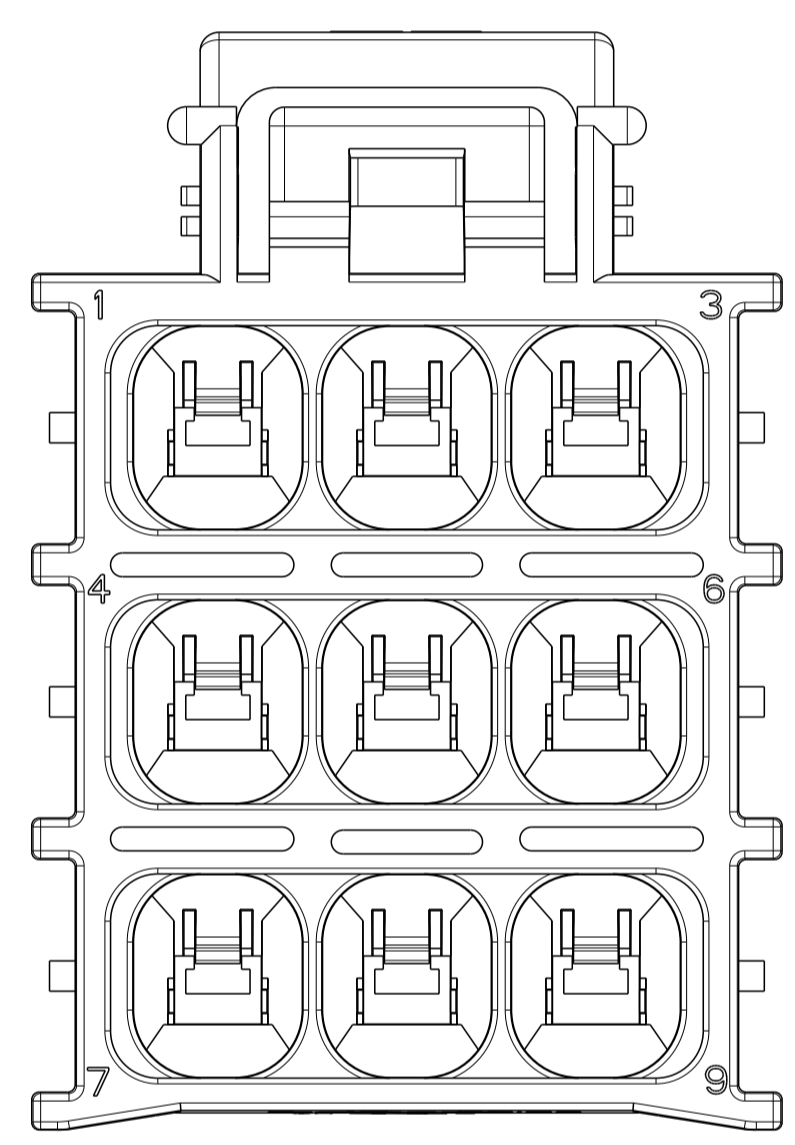
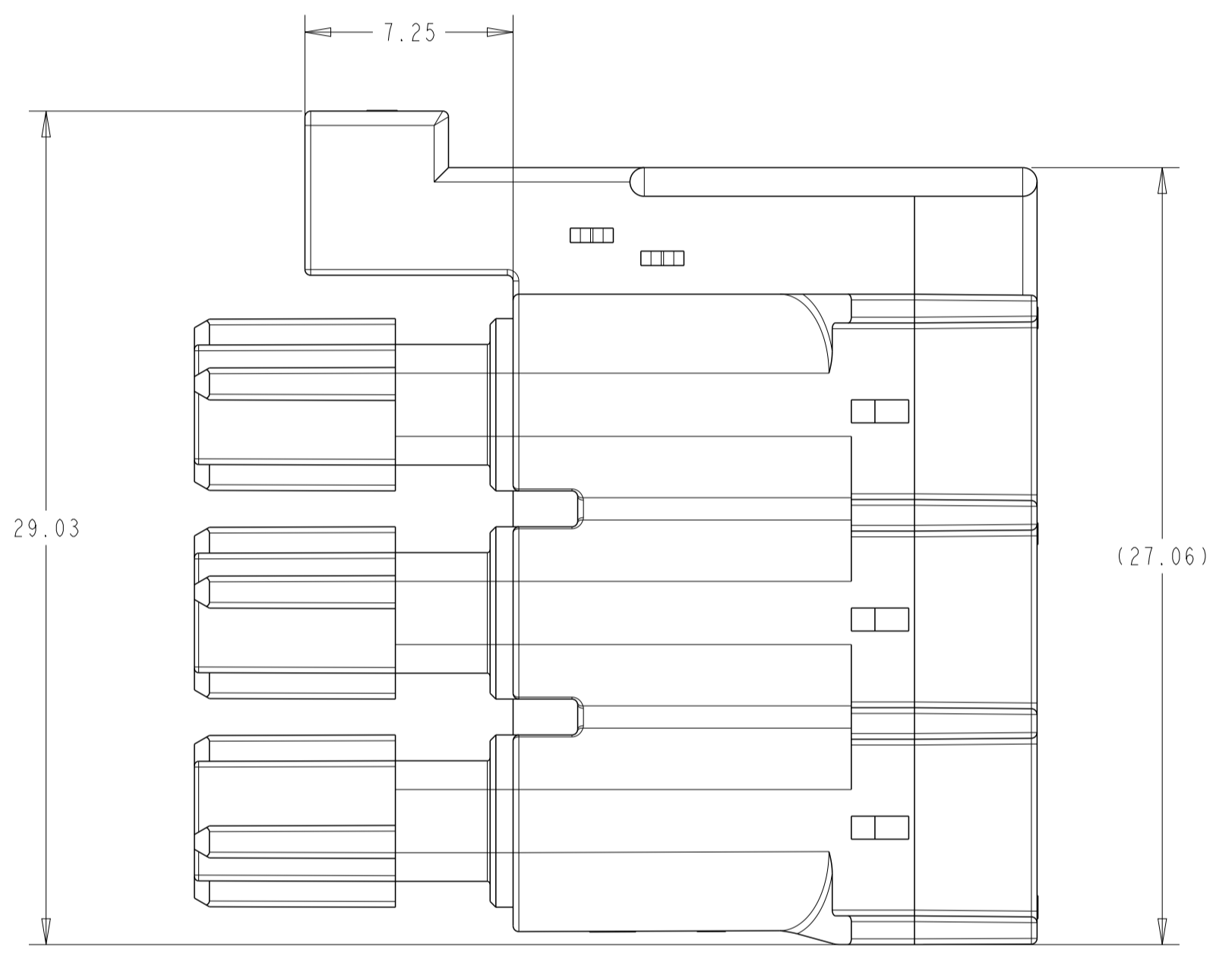
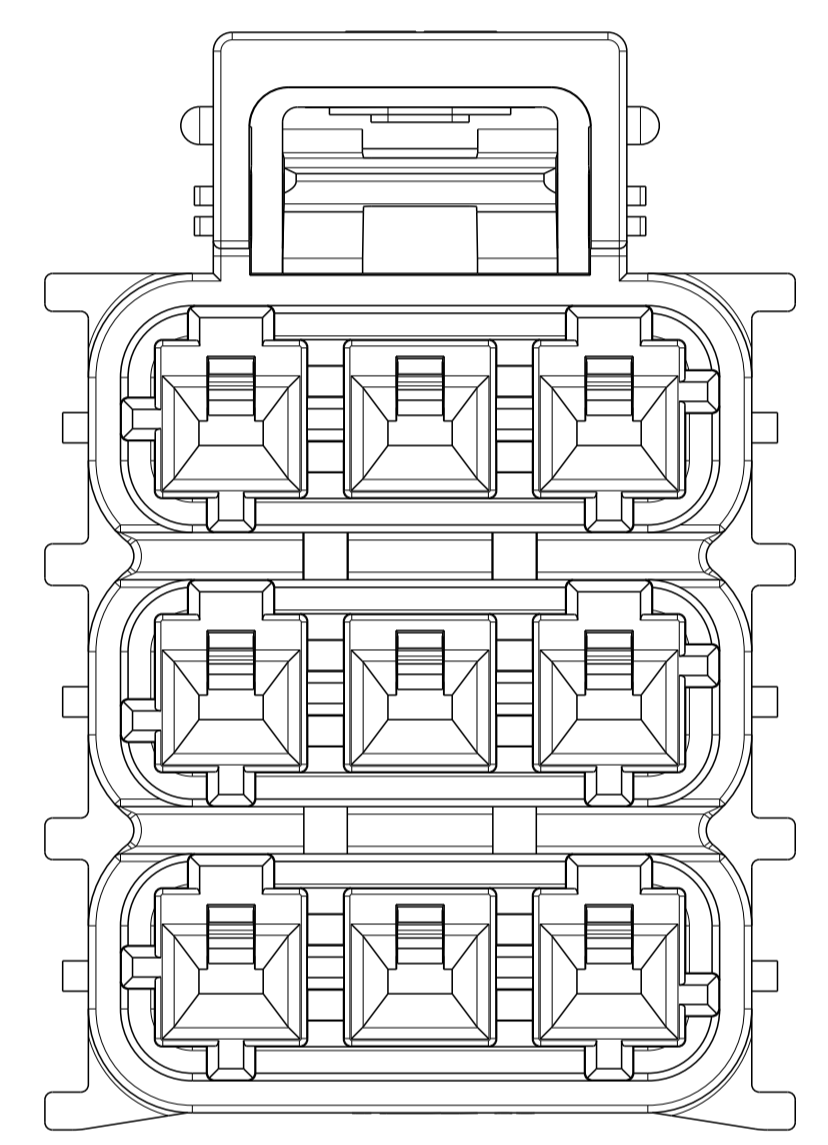
REVISIONS				
P	LTN	DESCRIPTION	DATE	OWN APVD
A		REVISED AS PER ECN-22-183153	11NOV2022	SKR DS
A1		REVISED PER ECR-23-177499	04JUL2023	MV DS



ITEM	MATING CONNECTOR PART NUMBERS	
1	CAP HOUSING - PANEL MOUNT VERSION	X-2370523-X
2	CAP HOUSING - ANGLED TWIST N LOCK VERSION	X-2373799-X
3	TERMINAL POSITION ASSURANCE (TPA)	2329016-3
4	INTERFACE/PERIPHERAL SEAL	2325347-3
5	FAMILY/GANG SEAL	2325349-3
6	BACK COVER	2334614-X

ITEM	APPLICABLE TERMINAL PN
1	2329912-1
2	2329913-1
3	2329914-1
4	2329915-1
5	2329916-1
6	2329917-1

⚠ MATERIAL: PA66 - GLASS FILLED
 ⚠ MATERIAL MARK: PA66-GF



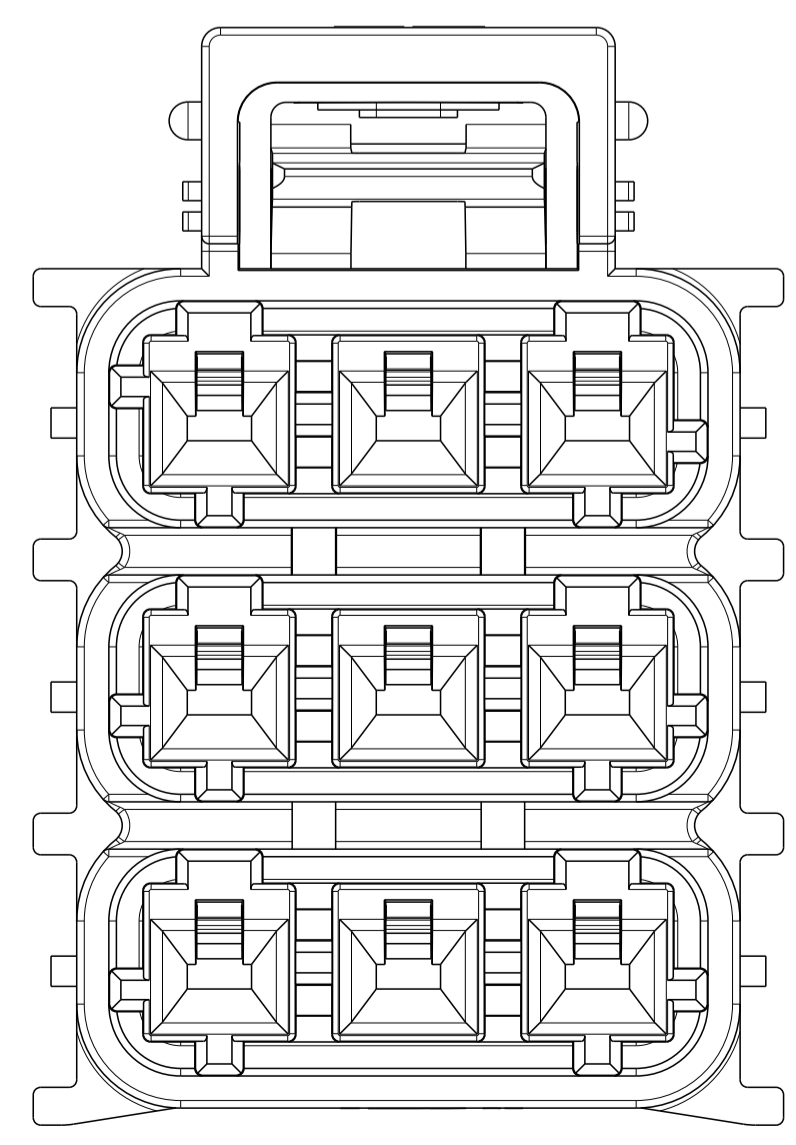
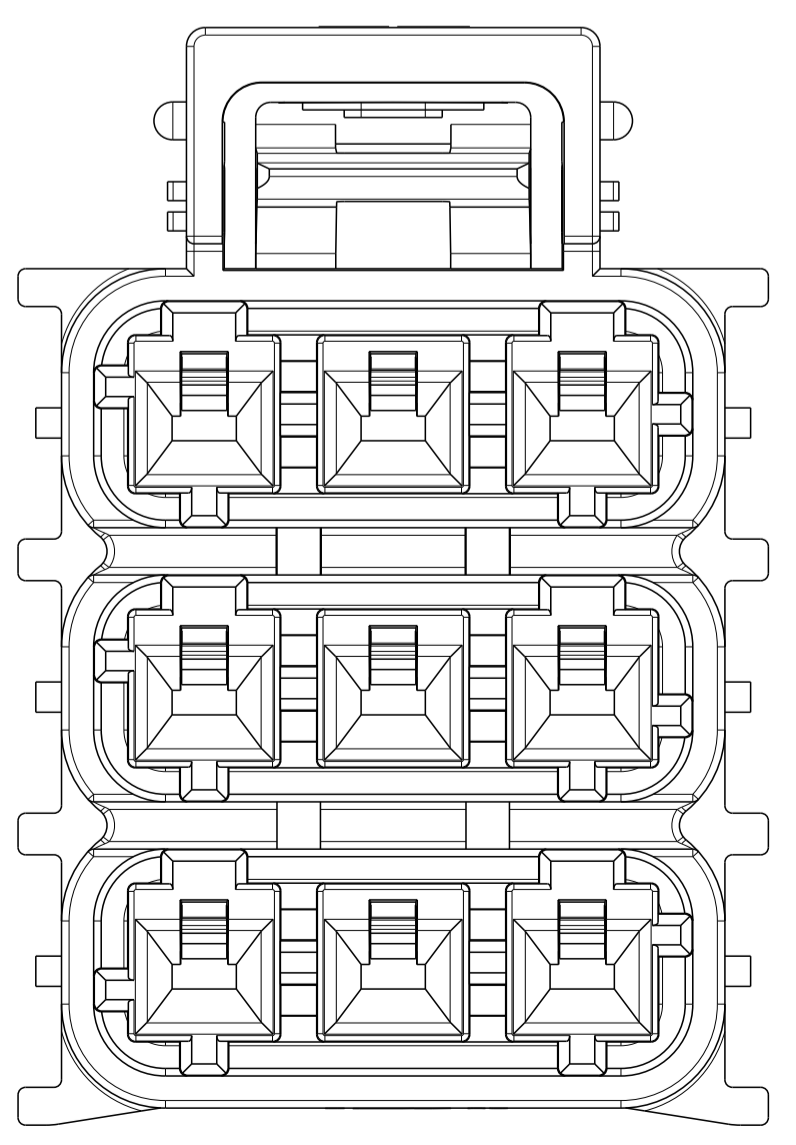
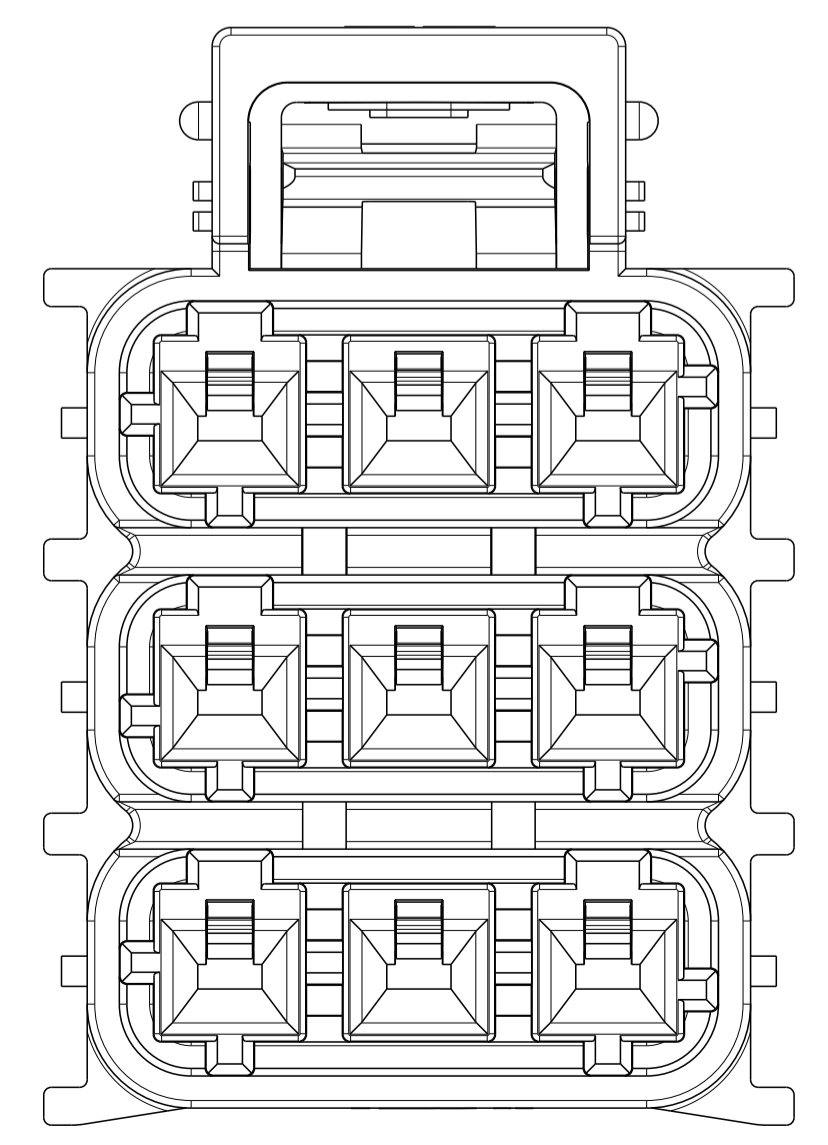
SCALE 4:1

NATURAL	C	3 * 3	3-2370527-9
YELLOW	B	3 * 3	2-2370527-9
BLUE	A	3 * 3	1-2370527-9
COLOR	KEY POSITION	PART NO	

KEY A

KEY B

KEY C



1-2370527-9

2-2370527-9

3-2370527-9

THIS DRAWING IS A CONTROLLED DOCUMENT.

DIMENSIONS:	TOLERANCES UNLESS OTHERWISE SPECIFIED:	OWN: V. SHETTAR 12FEB2021	CHK: D. SWARTZ 12FEB2021	APVD: V. SHETTAR 12FEB2021
mm	0 PLC ±	NAME: 3x3 POWER VERSA LOCK PLUG HOUSING		
	1 PLC ±0.50	SIZE: CAGE CODE: DRAWING NO: RESTRICTED TO		
	2 PLC ±	A 00779 C=2370527		
	3 PLC ±	SCALE: 5:1 SHEET 1 OF 1 REV A1		
	4 PLC ±	CUSTOMER DRAWING		
MATERIAL:	FINISH: NA	WEIGHT: -		