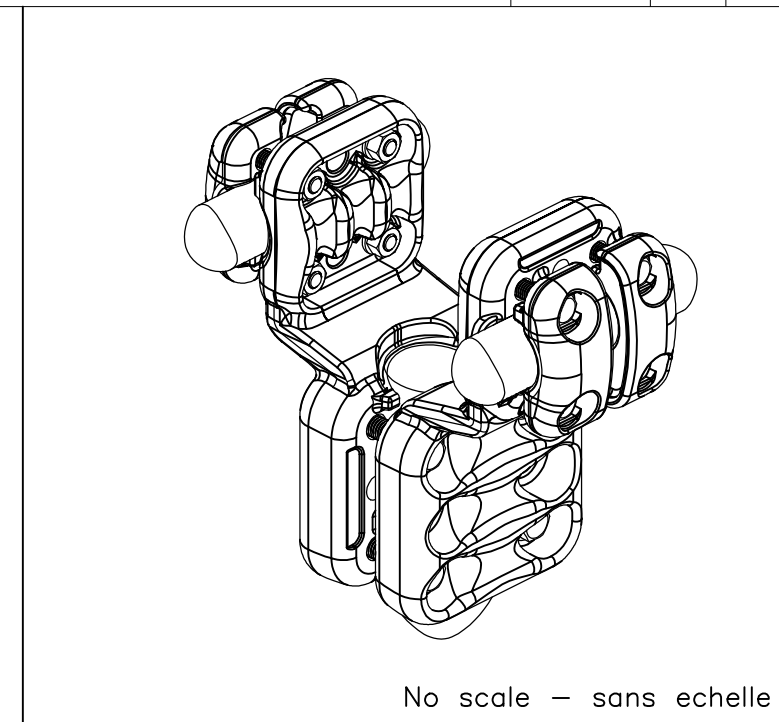
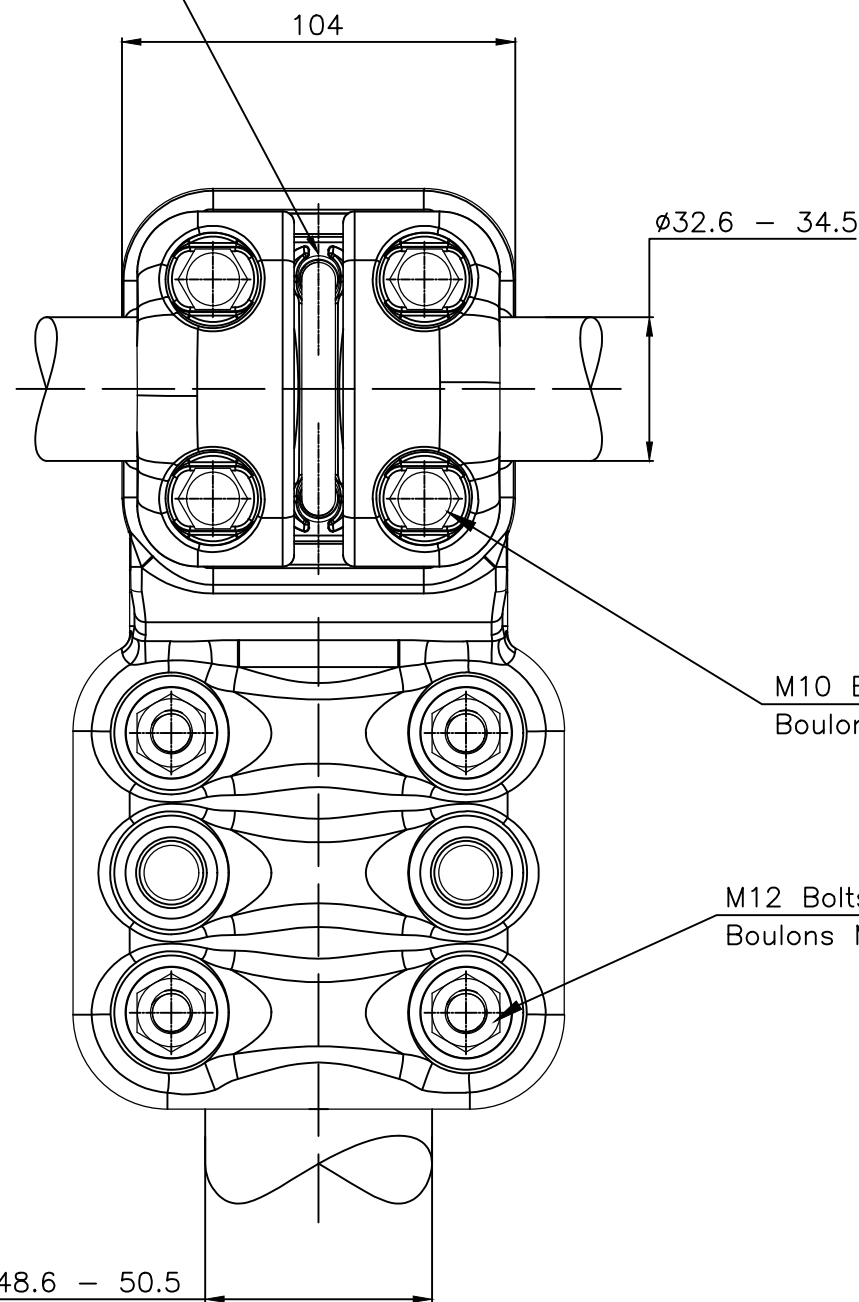
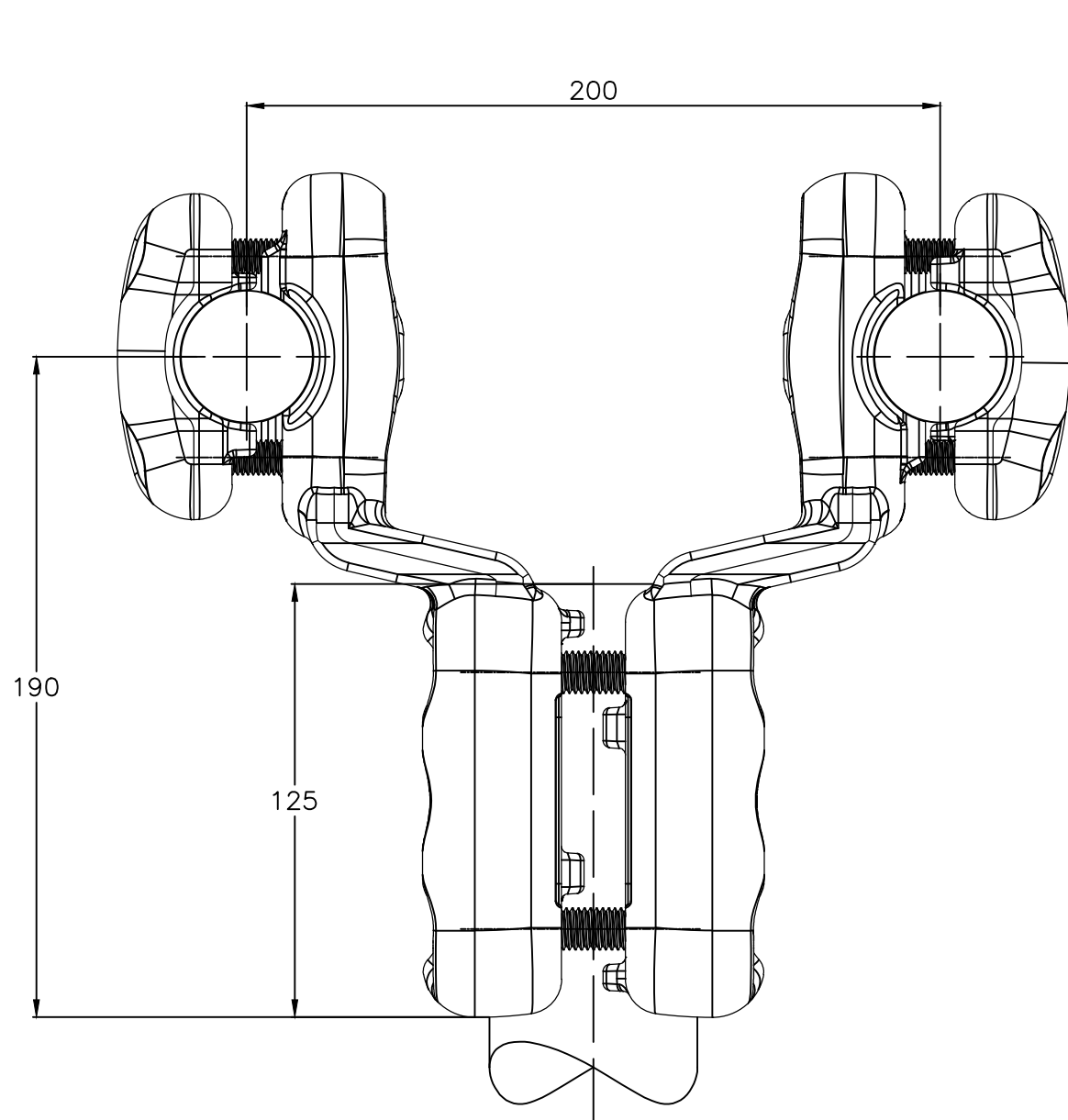


P	LTR	DESCRIPTION	DATE	DWN	APVD
	A	CREATION	6-MAR-20	GL	-

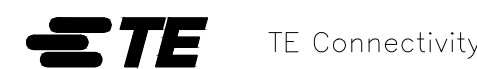
M10 stainless steel U-Bolts A4: 37Nm  
 Etriers M10 acier inoxydable A4: 37Nm



M10 Bolts stainless steel A4: 37Nm  
 Boulons M10 acier inoxydable A4: 37Nm

M12 Bolts stainless steel A4: 60Nm  
 Boulons M12 acier inoxydable A4: 60Nm

THIS DRAWING IS A CONTROLLED DOCUMENT.		DWN	LAFORGE		6-Mar-20
DIMENSIONS:		CHK	-		
mm		APVD	-		
TOLERANCES UNLESS OTHERWISE SPECIFIED:		PRODUCT SPEC	108-69096-001		
0 PLC ± -		APPLICATION SPEC	-		
1 PLC ± -		SIZE	CAGE CODE	DRAWING NO	RESTRICTED TO
2 PLC ± -		3	A300779	C-2370705	-
3 PLC ± -		4			
4 PLC ± -		ANGLES			
FINISH		WEIGHT	4.6		
-		CUSTOMER DRAWING		SCALE	1:2
				SHEET	1 OF 1
				REV	A



NAME  
 TEE CONNECTOR FOR TWIN CONDUCTORS TO STUD  
 CONNECTEUR EN TE POUR FAISCEAU DOUBLE SUR BORNE  
 5 CT 84 F MR345 E200 L505