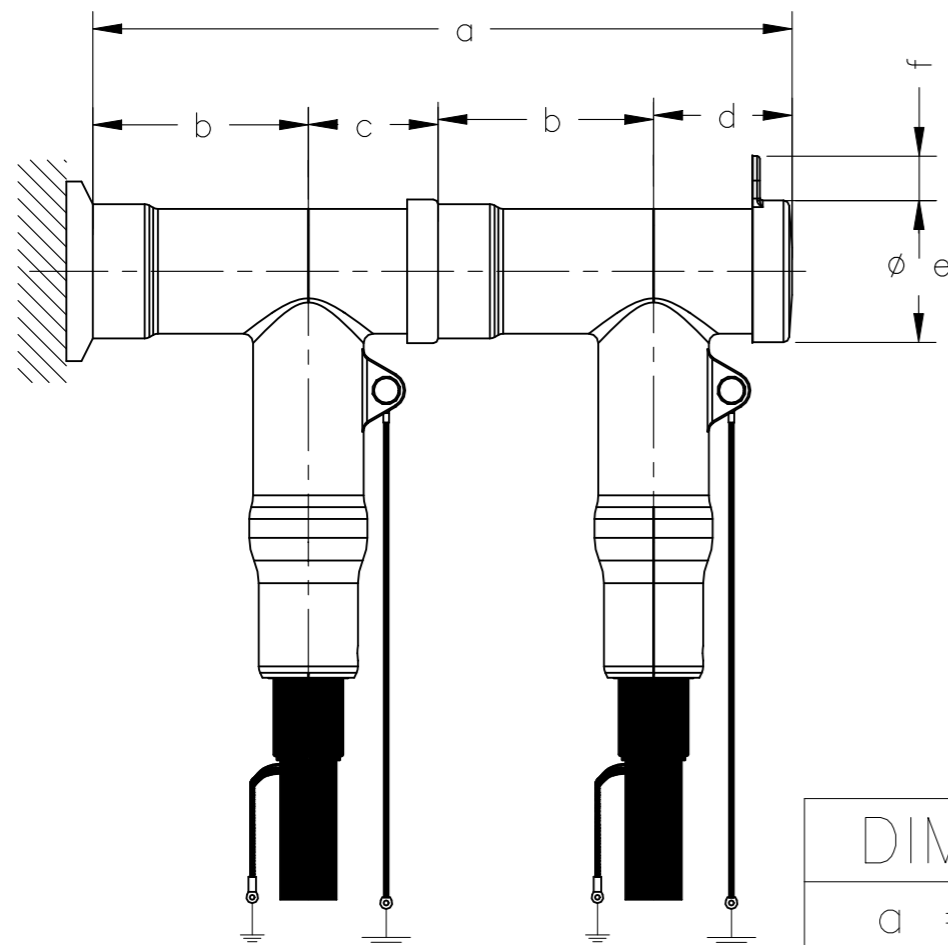


REVISIONS

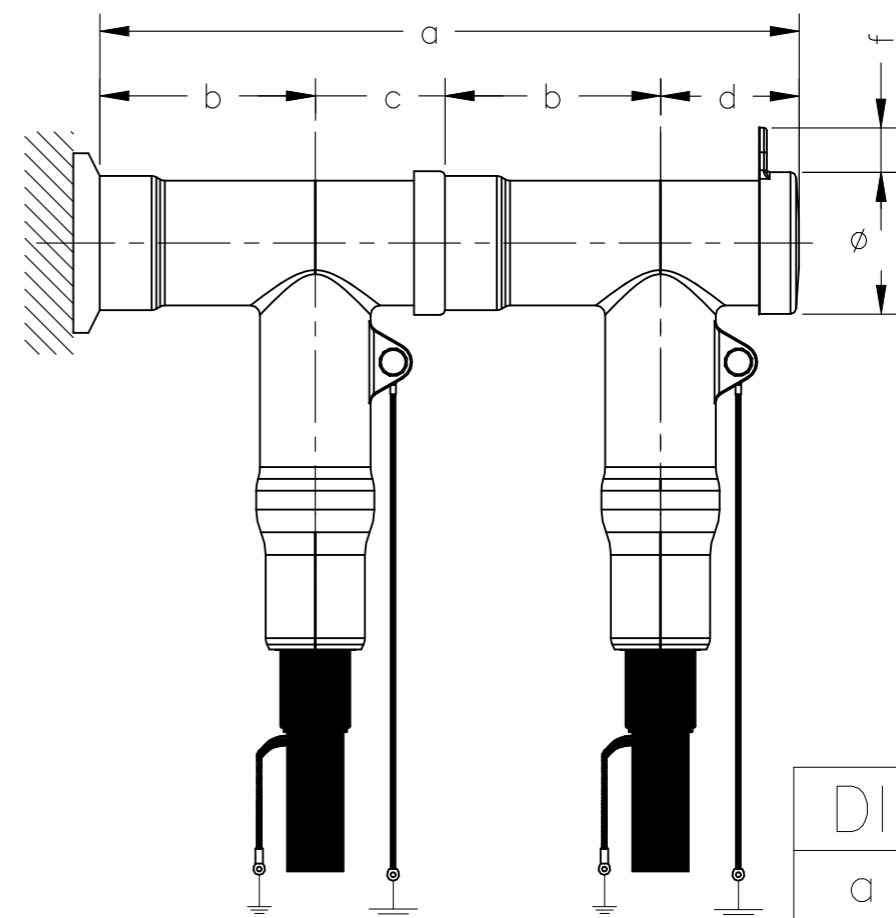
P	LTR	DESCRIPTION	DATE	DWN	APVD
	B	REVISION UPDATE	23AUG2022	GSK	RS

RSTI-58(SA)xx + RSTI-66CP-M16 + RSTI-58(SA)xx




DIMENSIONS	
a	= 368 mm
b	= 109 mm
c	= 76 mm
d	= 73 mm
e	= 78-79 mm
f	= 24-25 mm

RSTI-68(SA)xx + RSTI-66CP-M16 + RSTI-68(SA)xx

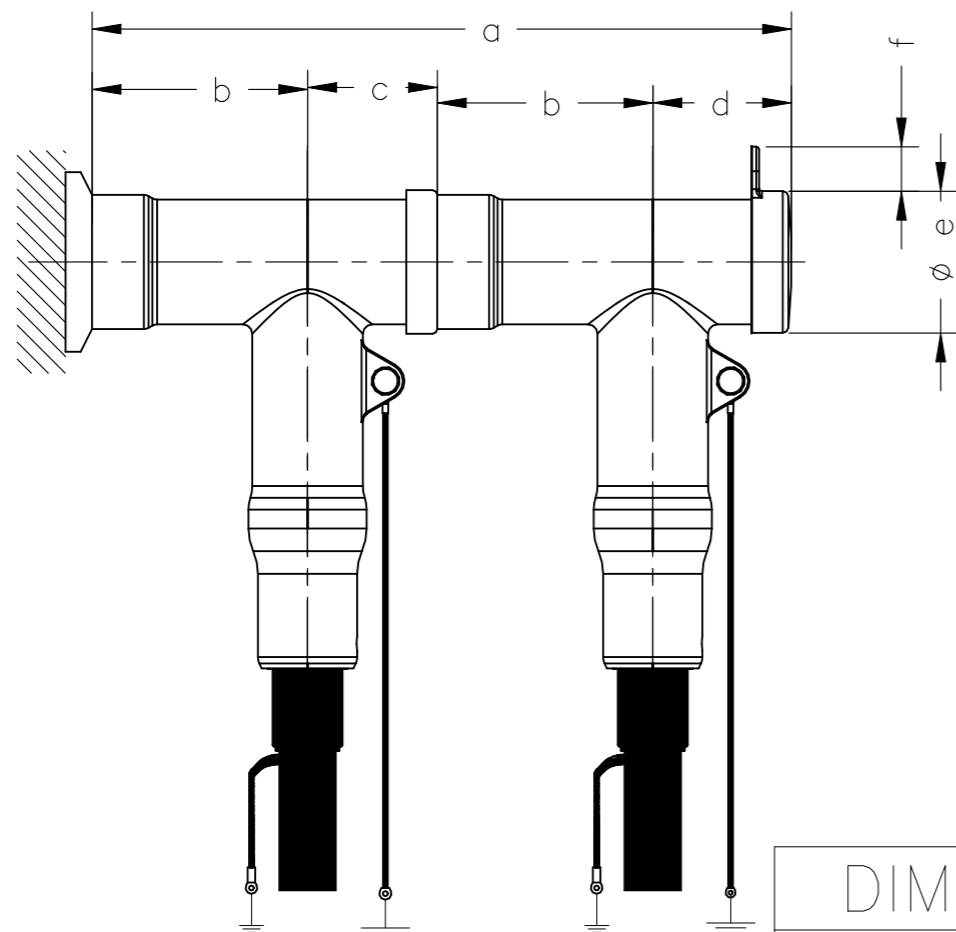


DIMENSIONS	
a	= 368 mm
b	= 109 mm
c	= 76 mm
d	= 73 mm
e	= 78-79 mm
f	= 24-25 mm

THIS DRAWING IS A CONTROLLED DOCUMENT.		DWN SATYA.M 25FEB2020	 <b>TE Connectivity</b>														
DIMENSIONS: mm		CHK B.VICTOR 25FEB2020				NAME RSTI Product Family Dimensions											
TOLERANCES UNLESS OTHERWISE SPECIFIED:		APVD B.VICTOR 25FEB2020	PRODUCT SPEC														
<table border="1"> <tr> <td>0 PLC</td> <td>± -</td> </tr> <tr> <td>1 PLC</td> <td>± -</td> </tr> <tr> <td>2 PLC</td> <td>± -</td> </tr> <tr> <td>3 PLC</td> <td>± -</td> </tr> <tr> <td>4 PLC</td> <td>± -</td> </tr> <tr> <td>ANGLES</td> <td>± -</td> </tr> </table>		0 PLC	± -	1 PLC	± -	2 PLC	± -	3 PLC	± -	4 PLC	± -	ANGLES	± -	APPLICATION SPEC		RESTRICTED TO	
0 PLC	± -																
1 PLC	± -																
2 PLC	± -																
3 PLC	± -																
4 PLC	± -																
ANGLES	± -																
MATERIAL B.Victor		FINISH -		SIZE A3	CAGE CODE 00779	DRAWING NO C-2370881	RESTRICTED TO -										
CUSTOMER DRAWING				SCALE NTS	SHEET 1 of 6	REV B											

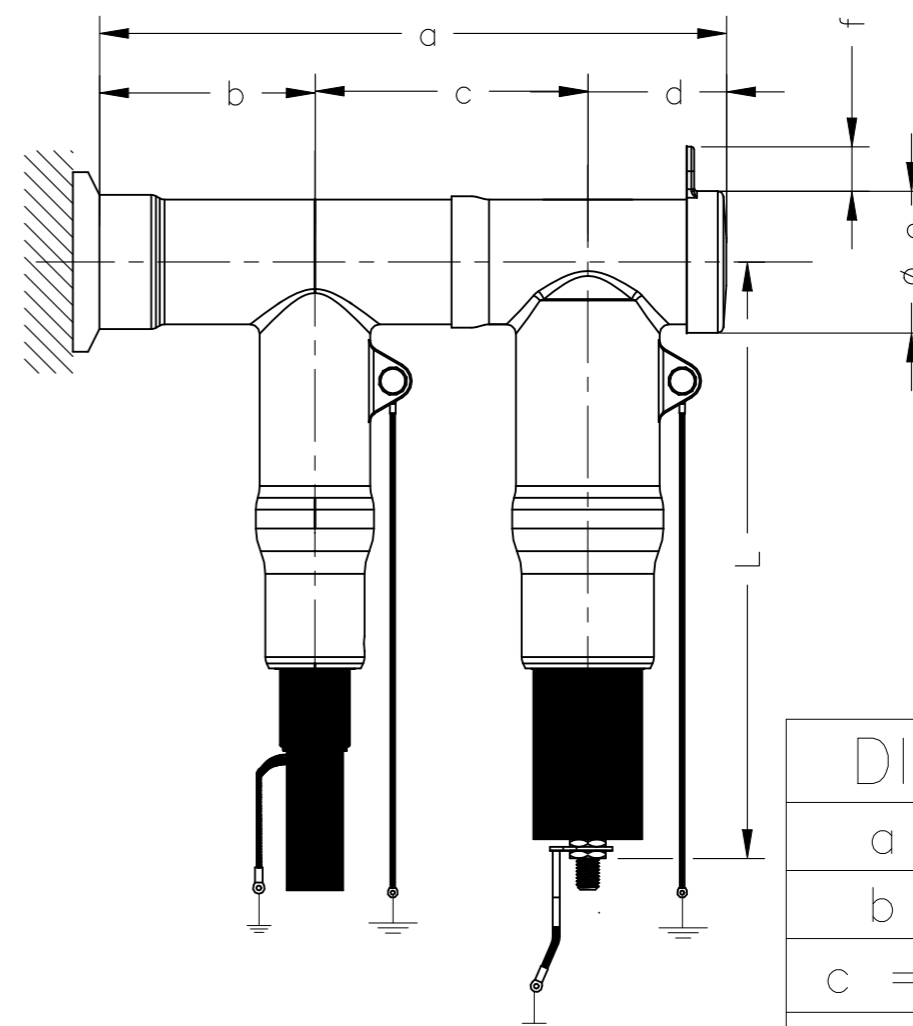
REVISIONS					
P	LTR	DESCRIPTION	DATE	DWN	APVD
-	-	SEE SHEET 1	-	-	-

RSTI-x95x + RSTI-66CP-M16 + RSTI-x95x




DIMENSIONS	
a	= 388 mm
b	= 114 mm
c	= 81 mm
d	= 78 mm
e	= 78-79 mm
f	= 24-25 mm

RSTI-58xx + RSTI-CC-58(SA)xx

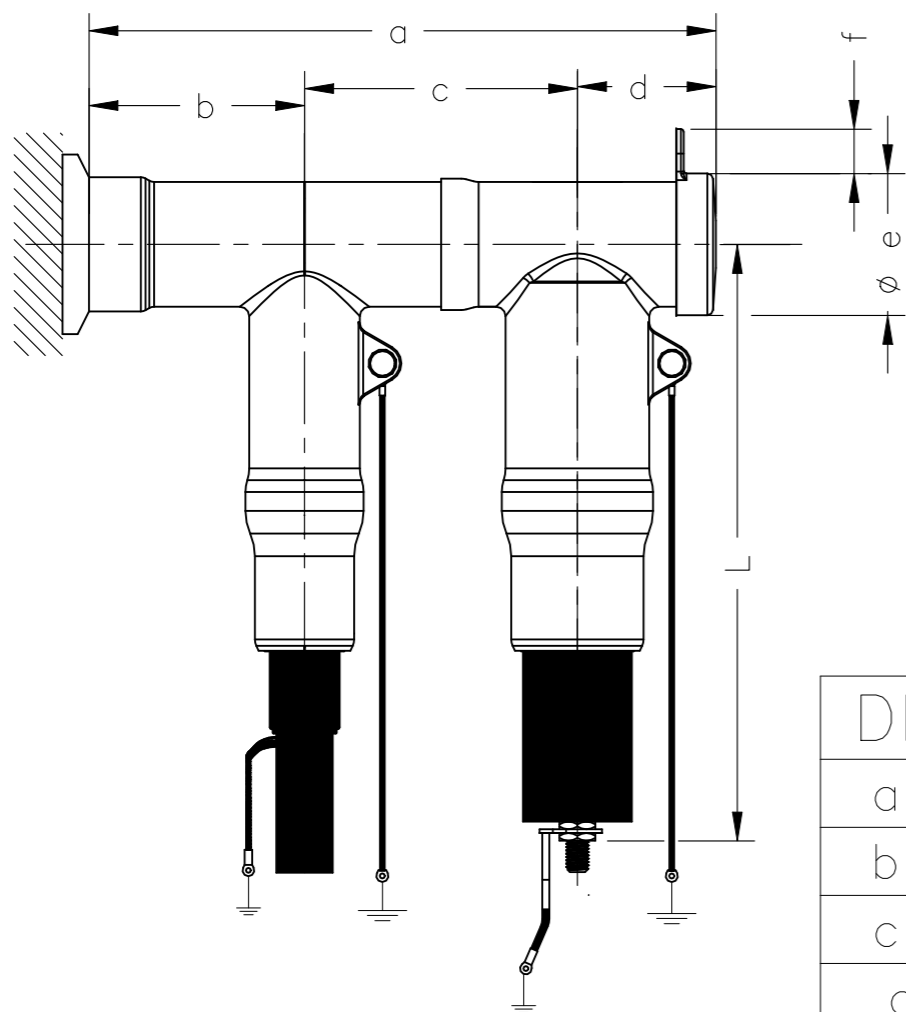


DIMENSIONS	
a	= 283 mm
b	= 109 mm
c	= 100-101 mm
d	= 73 mm
e	= 78-79 mm
f	= 24-25 mm
L	= depending on voltage level

THIS DRAWING IS A CONTROLLED DOCUMENT.		DWN SATYA.M 25FEB2020	 TE Connectivity				
DIMENSIONS: mm		CHK B.VICTOR 25FEB2020					
TOLERANCES UNLESS OTHERWISE SPECIFIED:		APVD B.VICTOR 25FEB2020	NAME RSTI Product Family Dimensions				
0 PLC ± - 1 PLC ± - 2 PLC ± - 3 PLC ± - 4 PLC ± - ANGLES ± -		PRODUCT SPEC -	APPLICATION SPEC -				
MATERIAL -		FINISH -	WEIGHT -	SIZE A3	CAGE CODE 00779	DRAWING NO C-2370881	RESTRICTED TO -
CUSTOMER DRAWING			SCALE NTS	SHEET 2 of 6	REV B		

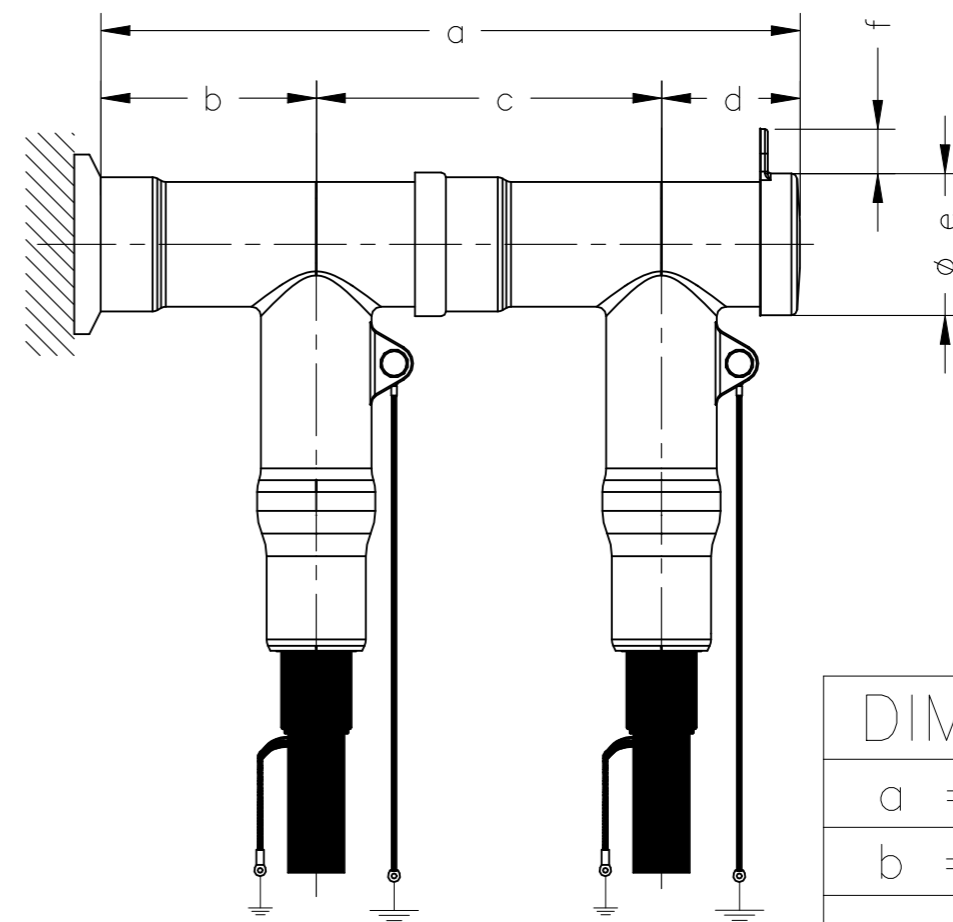
REVISIONS					
P	LTR	DESCRIPTION	DATE	DWN	APVD
-	-	SEE SHEET 1	-	-	-

RSTI-68xx + RSTI-CC-68(SA)xx


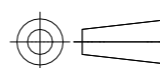


DIMENSIONS	
a	= 292 mm
b	= 109 mm
c	= 109 mm
d	= 73 mm
e	= 78-79 mm
f	= 24-25 mm
L	= depending on voltage level

RSTI-x95x + RSTI-CC-x95x

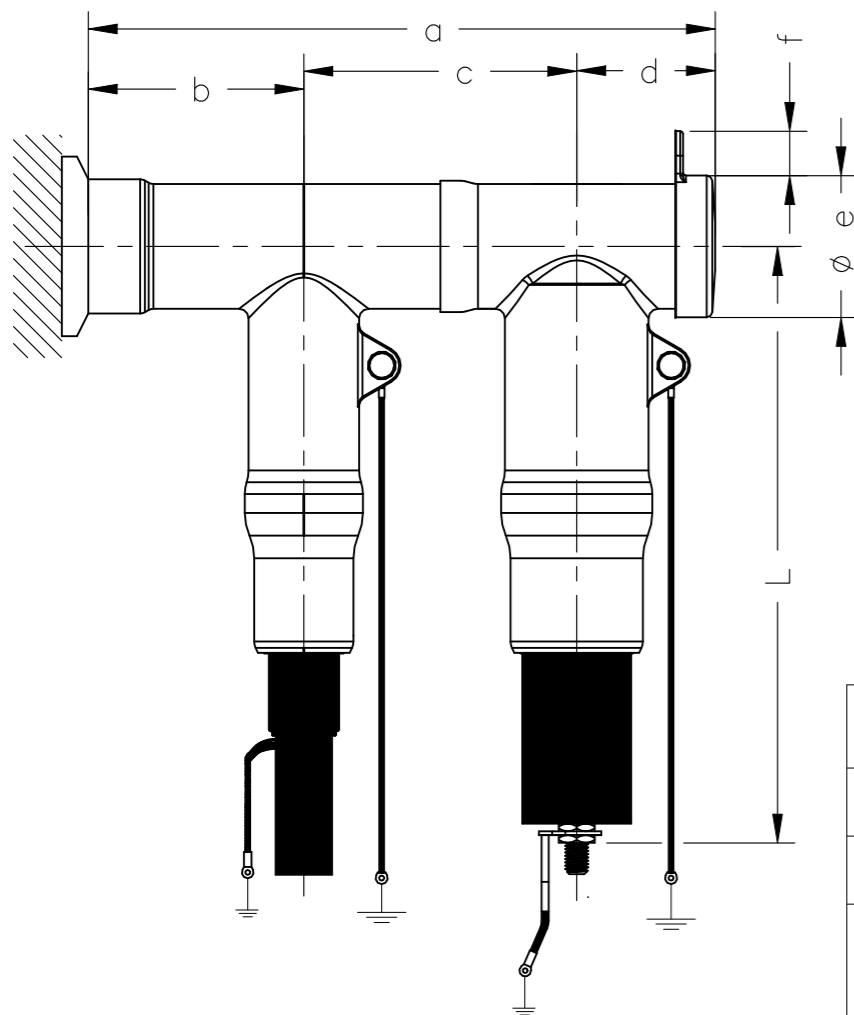


DIMENSIONS	
a	= 315 mm
b	= 114 mm
c	= 122 mm
d	= 78 mm
e	= 78-79 mm
f	= 24-25 mm
L	= depending on voltage level

THIS DRAWING IS A CONTROLLED DOCUMENT.		DWN SATYA.M 25FEB2020	 <b>TE Connectivity</b> RSTI Product Family Dimensions						
DIMENSIONS: mm		CHK B.VICTOR 25FEB2020				NAME			
 TOLERANCES UNLESS OTHERWISE SPECIFIED: 0 PLC ± - 1 PLC ± - 2 PLC ± - 3 PLC ± - 4 PLC ± - ANGLES ± -		APVD B.VICTOR 25FEB2020				PRODUCT SPEC			
MATERIAL		FINISH				APPLICATION SPEC	RESTRICTED TO		
-		-	WEIGHT	SIZE A3	CAGE CODE 00779	DRAWING NO C-2370881	SCALE NTS	SHEET 3 of 6	REV B
CUSTOMER DRAWING									

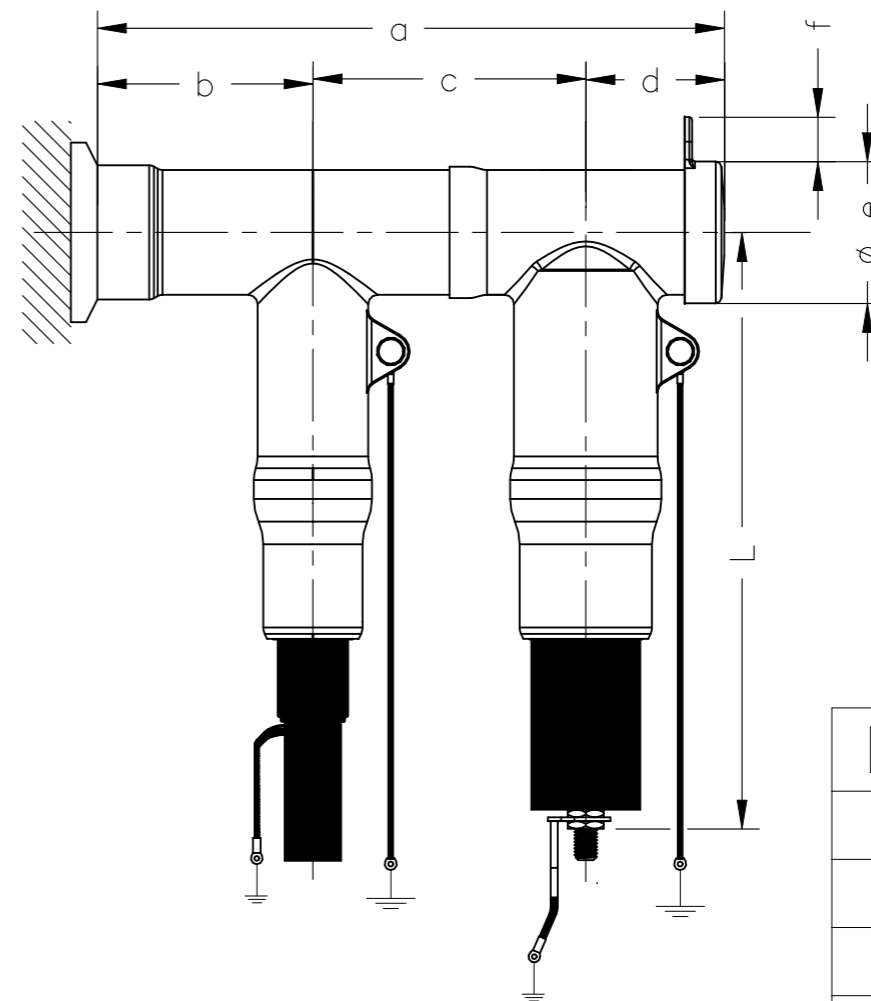
REVISIONS					
P	LTR	DESCRIPTION	DATE	DWN	APVD
-	-	SEE SHEET 1	-	-	-

RSTI-68xx + RSTI-CC-58(SA)xx




DIMENSIONS	
a	= 283 mm
b	= 109 mm
c	= 100-101 mm
d	= 73 mm
e	= 78-79 mm
f	= 24-25 mm
L	= depending on voltage level

RSTI-58xx + RSTI-CC-68(SA)xx

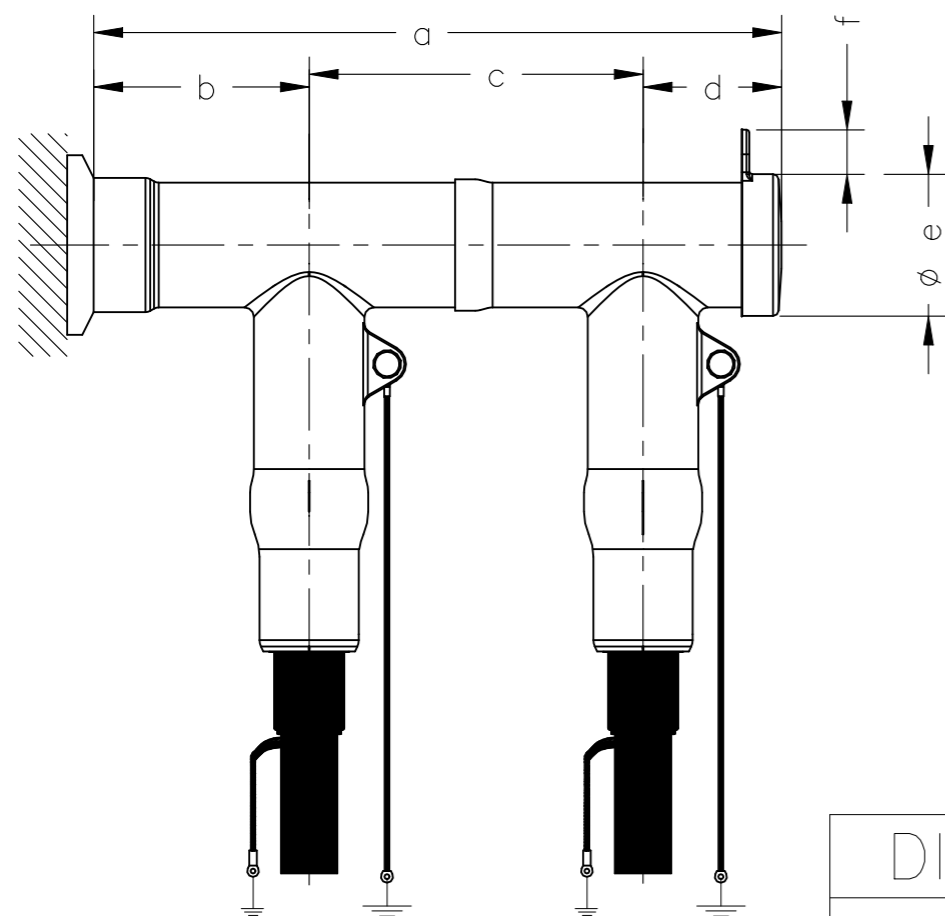


DIMENSIONS	
a	= 292 mm
b	= 109 mm
c	= 109 mm
d	= 73 mm
e	= 78-79 mm
f	= 24-25 mm
L	= depending on voltage level

THIS DRAWING IS A CONTROLLED DOCUMENT.		DWN SATYA.M 25FEB2020	 TE Connectivity		
DIMENSIONS: mm		CHK B.VICTOR 25FEB2020			
TOLERANCES UNLESS OTHERWISE SPECIFIED:		APVD B.VICTOR 25FEB2020	PRODUCT SPEC		
0 PLC ± - 1 PLC ± - 2 PLC ± - 3 PLC ± - 4 PLC ± - ANGLES ± -		APPLICATION SPEC		RESTRICTED TO	
MATERIAL		WEIGHT		SIZE A3	CAGE CODE 00779
FINISH		CUSTOMER DRAWING		DRAWING NO C-2370881	REV B
			SCALE NTS	SHEET 4 OF 6	

REVISIONS					
P	LTR	DESCRIPTION	DATE	DWN	APVD
-	-	SEE SHEET 1	-	-	-

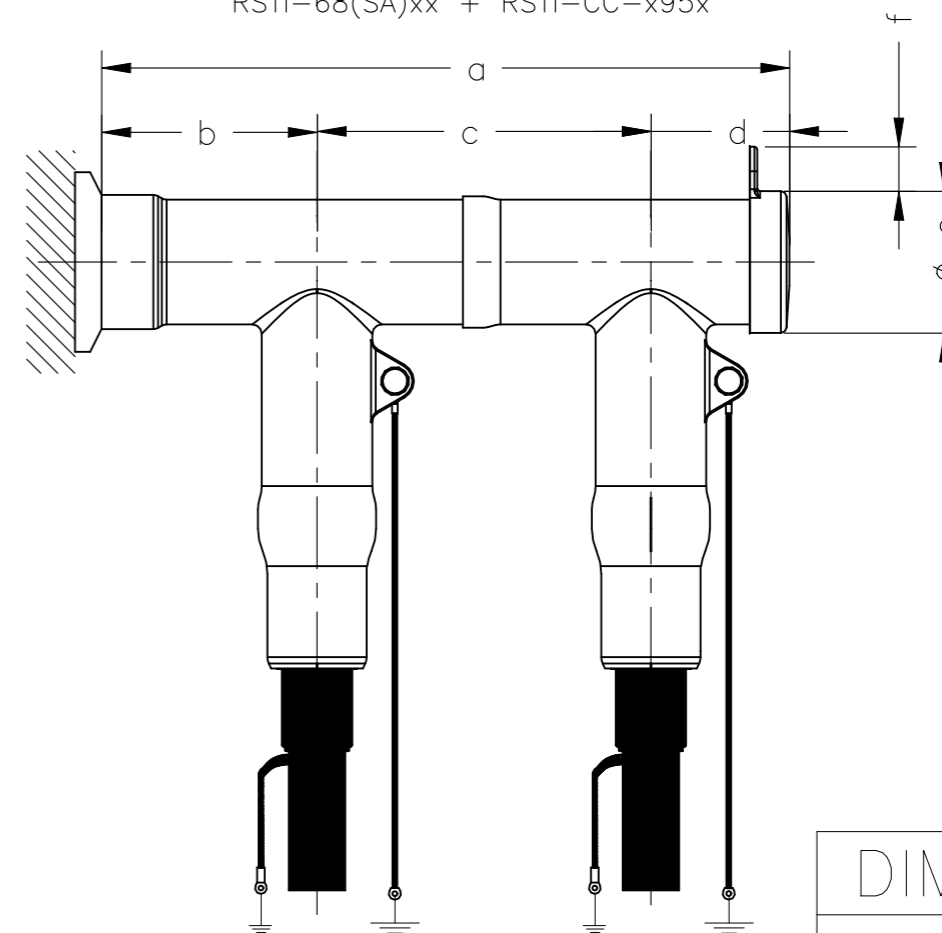
RSTI-58(SA)xx + RSTI-CC-x95x



DIMENSIONS


a = 305 mm
b = 109 mm
c = 117 mm
d = 78 mm
e = 78-79 mm
f = 24-25 mm

RSTI-68(SA)xx + RSTI-CC-x95x



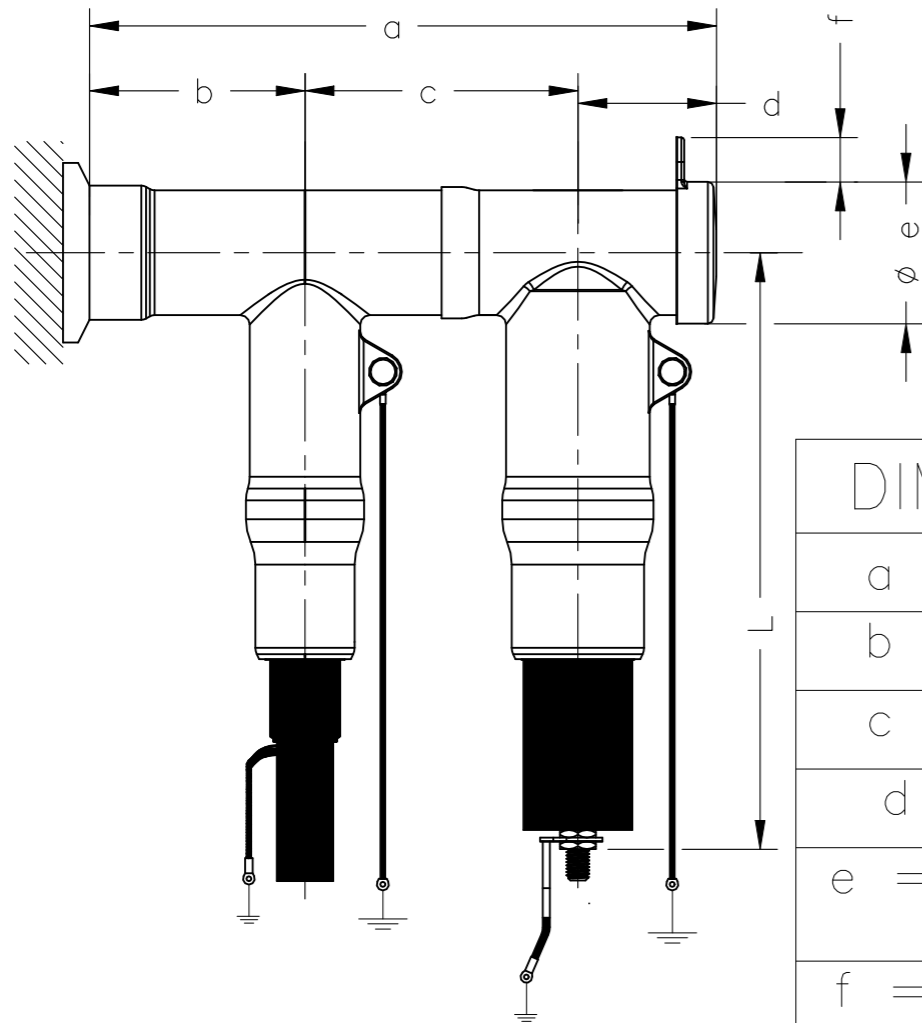
DIMENSIONS

a = 305 mm
b = 109 mm
c = 117 mm
d = 78 mm
e = 78-79 mm
f = 24-25 mm

THIS DRAWING IS A CONTROLLED DOCUMENT.		DWN SATYA.M 25FEB2020	 TE Connectivity			
DIMENSIONS: mm		CHK B.VICTOR 25FEB2020				
TOLERANCES UNLESS OTHERWISE SPECIFIED:		APVD B.VICTOR 25FEB2020	NAME RSTI Product Family Dimensions			
0 PLC ± - 1 PLC ± - 2 PLC ± - 3 PLC ± - 4 PLC ± - ANGLES ± -		PRODUCT SPEC	APPLICATION SPEC			
MATERIAL		FINISH	SIZE A3	CAGE CODE 00779	DRAWING NO C-2370881	RESTRICTED TO
-		-	WEIGHT		SCALE NTS	SHEET 5 of 6
CUSTOMER DRAWING			REV B			

REVISIONS					
P	LTR	DESCRIPTION	DATE	DWN	APVD
-	-	SEE SHEET 1	-	-	-

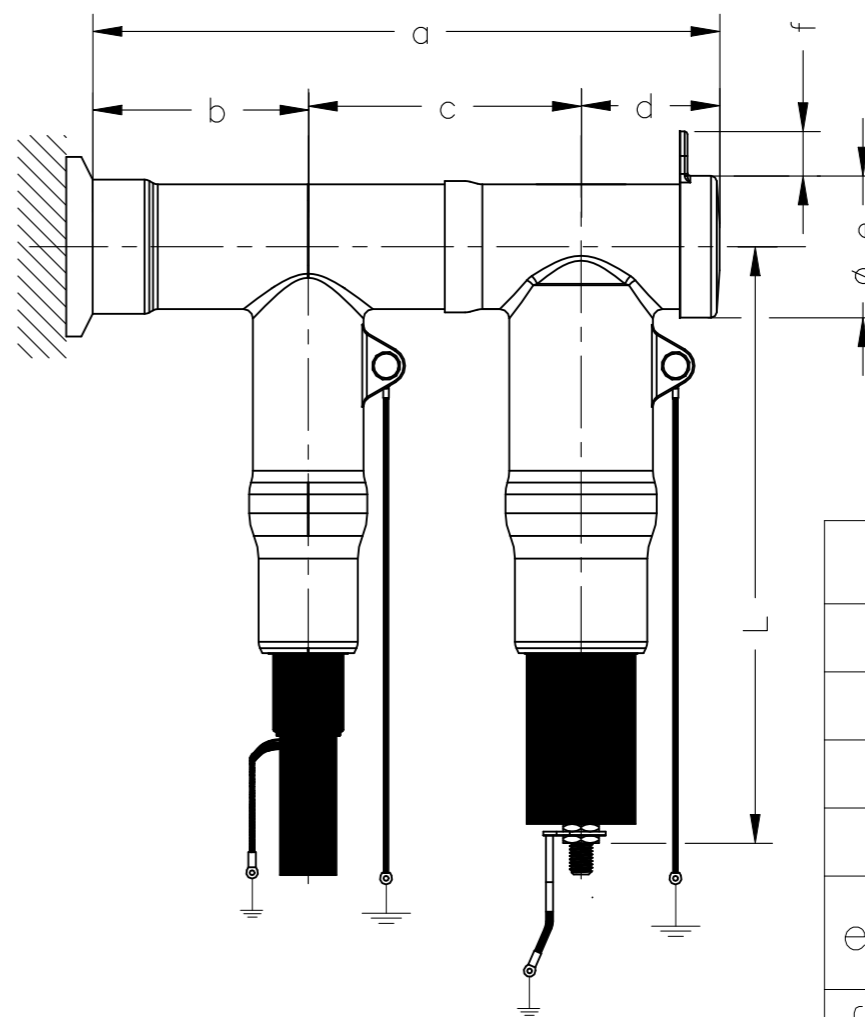
RSTI-x95x + RSTI-CC-58(SA)xx



DIMENSIONS

a = 294 mm
b = 114 mm
c = 105 mm
d = 73 mm
e = 78-79 mm
f = 24-25 mm
L = depending on voltage level (see data sheet of RSTI-CC-68SA)

RSTI-x95x + RSTI-CC-68(SA)xx



DIMENSIONS

a = 303 mm
b = 114 mm
c = 114 mm
d = 73 mm
e = 78-79 mm
f = 24-25 mm
L = depending on voltage level (see data sheet of RSTI-CC-68SA)

THIS DRAWING IS A CONTROLLED DOCUMENT.		DWN SATYA.M 25FEB2020	TE Connectivity RSTI Product Family Dimensions														
DIMENSIONS: mm		CHK B.VICTOR 25FEB2020				NAME	SIZE	CAGE CODE									
TOLERANCES UNLESS OTHERWISE SPECIFIED:		APVD B.VICTOR 25FEB2020				PRODUCT SPEC	DRAWING NO	RESTRICTED TO									
<table border="1"> <tr><td>0 PLC</td><td>± -</td></tr> <tr><td>1 PLC</td><td>± -</td></tr> <tr><td>2 PLC</td><td>± -</td></tr> <tr><td>3 PLC</td><td>± -</td></tr> <tr><td>4 PLC</td><td>± -</td></tr> <tr><td>ANGLES</td><td>± -</td></tr> </table>		0 PLC				± -	1 PLC	± -	2 PLC	± -	3 PLC	± -	4 PLC	± -	ANGLES	± -	APPLICATION SPEC
0 PLC	± -																
1 PLC	± -																
2 PLC	± -																
3 PLC	± -																
4 PLC	± -																
ANGLES	± -																
MATERIAL		FINISH	C-2370881														
CUSTOMER DRAWING			SCALE	SHEET	REV												
			NTS	6 of 6	B												