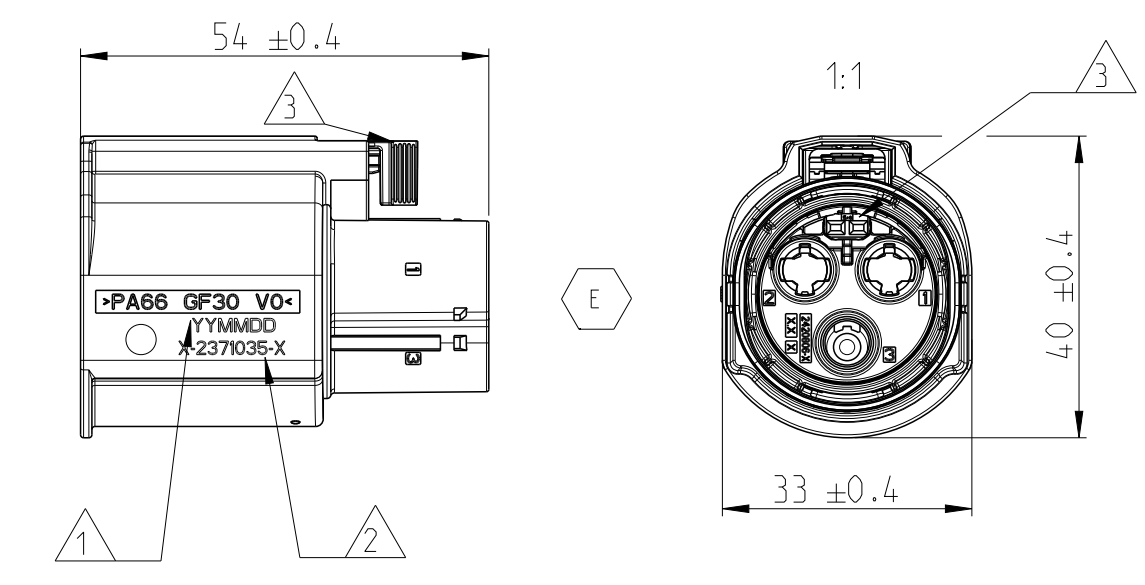
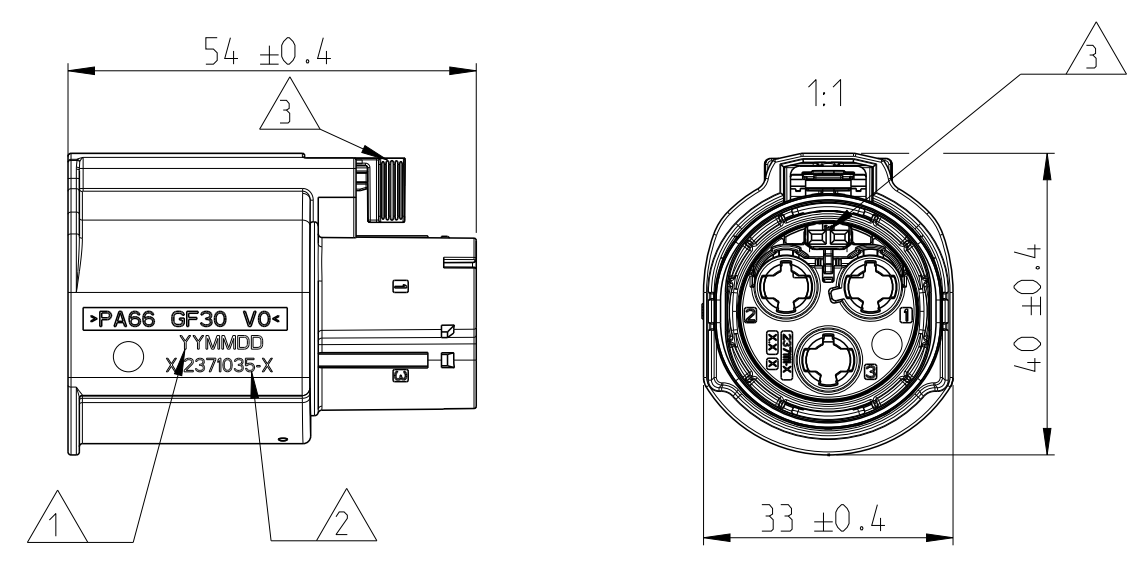
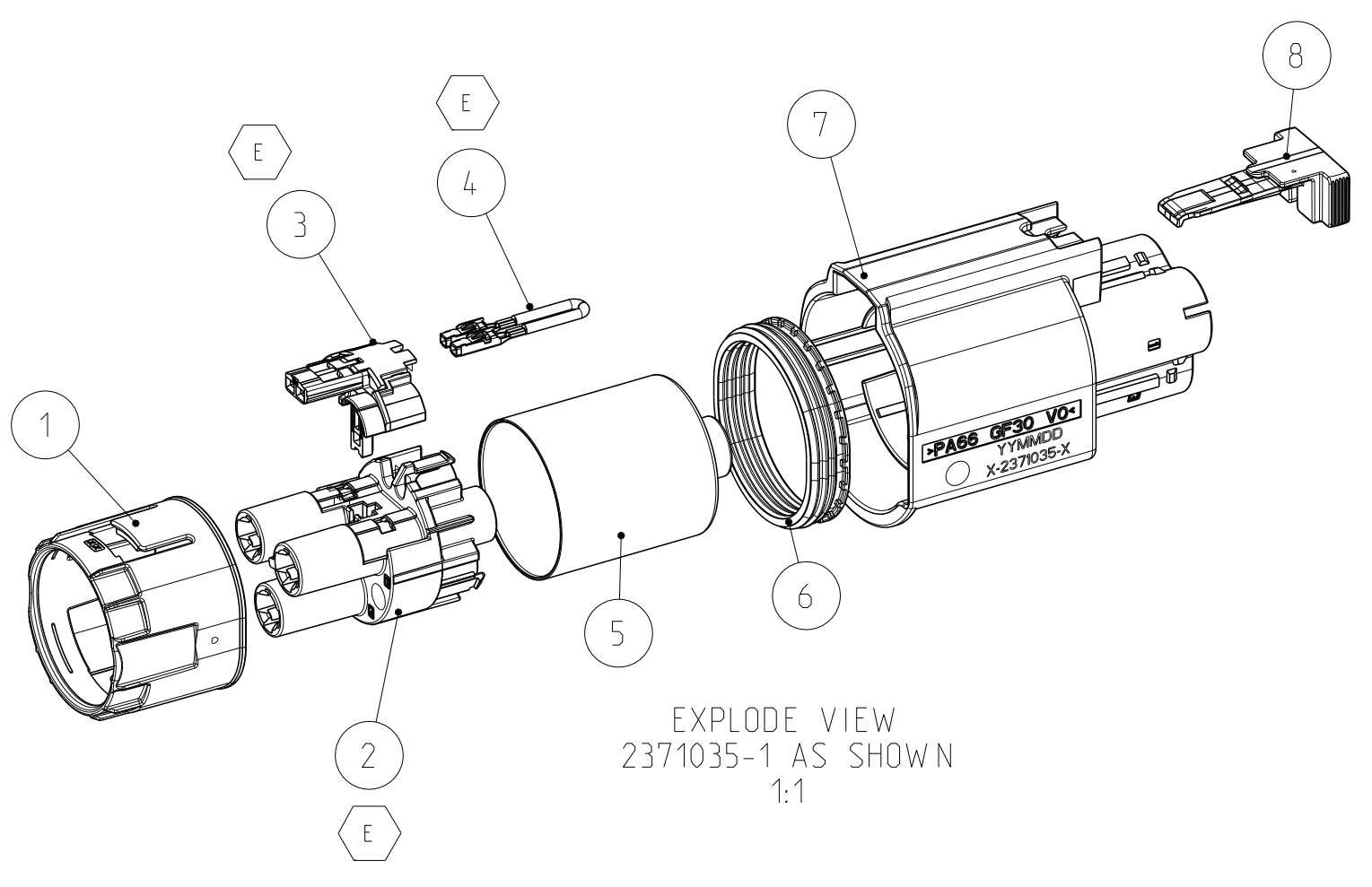


REVISIONS				
P	LTN	DESCRIPTION	DATE	OWN APVD
B2		REVISION (ECR-21-107908)	20JUL21	Z.C I.Y
C		REVISION (ECR-23-176383)	06JUN23	T.H Z.Z
D		REVISION (ECR-23-185542)	25AUG23	T.H Z.Z
E		REVISION (ECR-23-196066)	26MAR24	S.W Z.Z



NOTE:
 ▲ PRODUCTION DATE (YYMMDD)
 ▲ ASSEMBLY P/N MARKING
 ▲ 2371035-X/1-2371035-X : TPA AND CPA ARE AT PRE-LOCK POSITION
 2-2371035-1 : TPA IS AT END-LOCK POSITION . CPA IS AT PRE-LOCK POSITION
 4. COUNTERPART INFO:
 1). HEADER X-2371113-X
 2). OTHER SEE TABLE:

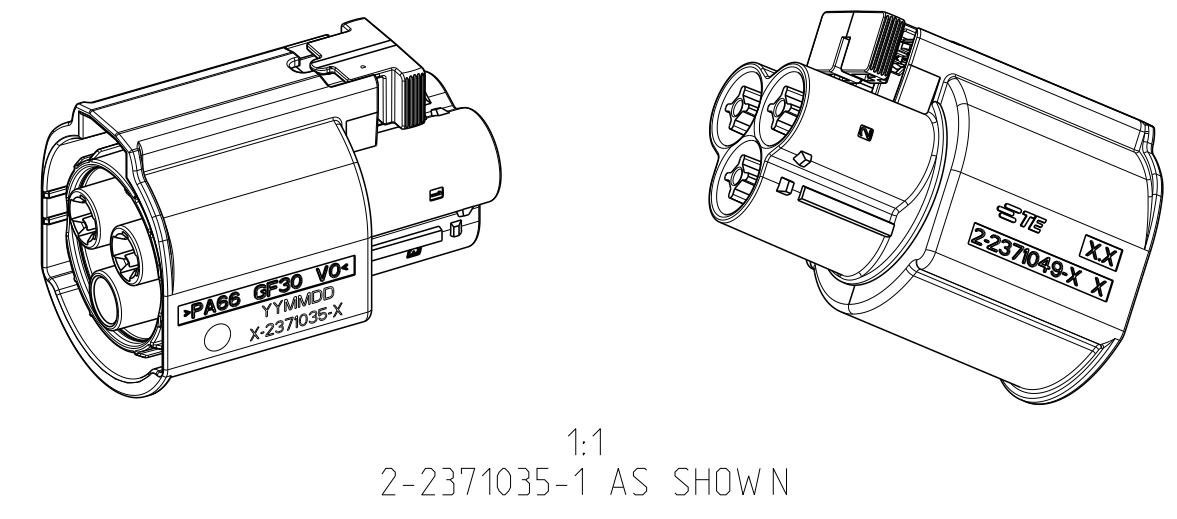
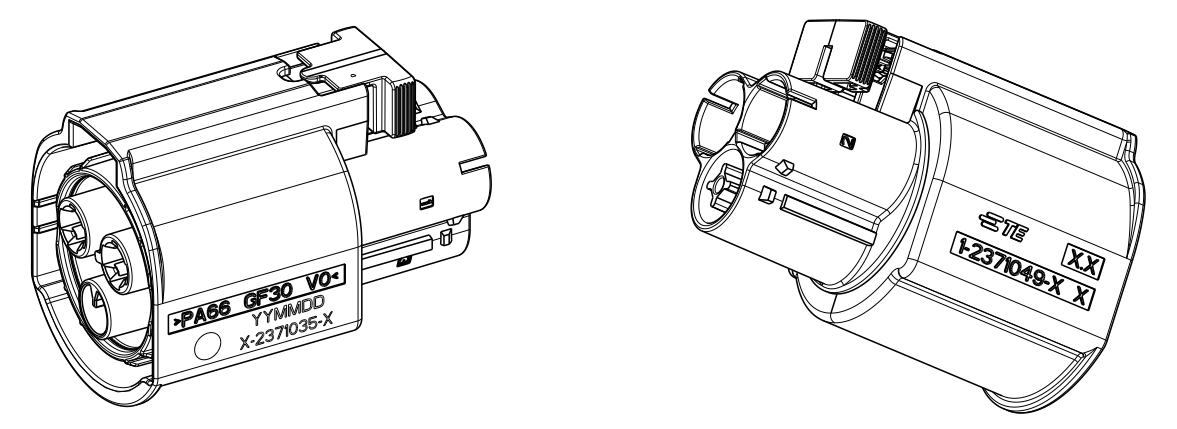
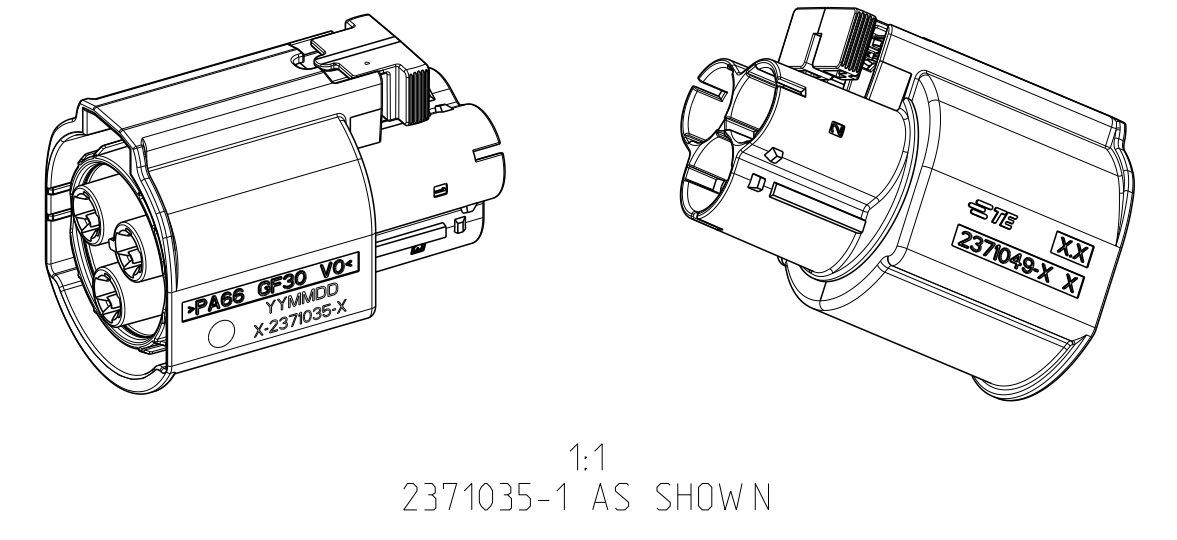
USED CABLE	2.5mm ²	3mm ²	4.0mm ²	6mm ²	6mm ² (ISO)					
QUALIFIED CABLE BRAND	SEE APPLICATION SPEC 114-160093									
SOCKET CONTACT	2-2349177-1 (Ag)	1-2349177-1 (Ag+AgSn)	2-2349177-1 (Ag)	1-2349177-1 (Ag+AgSn)	2-2349177-2 (Ag)	1-2349177-2 (Ag+AgSn)	2-2349177-3 (Ag)	1-2349177-3 (Ag+AgSn)	2-2349177-3 (Ag)	1-2349177-3 (Ag+AgSn)
INNER FERRULE	2371242-1		2371242-4		2371242-2		2371242-3		2371242-3	
OUTER FERRULE						2371243-1				
SINGLE WIRE SEAL	2371244-1		2428376-1		2371244-2		2371244-3		2428376-2	
WIRE CLIP	2371245-1		1-2371245-1		2371245-2		2371245-3		1-2371245-2	

5. GENERAL SPEC:
 1). WORKING TEMP: -40~140°C
 2). WORKING VOLTAGE: 1000VDC
 3). DEGREE OF PROTECTION: IPXXB, IP6K9K, IP67
 4). FLAMMABILITY: UL94 V0

Q'TY	DESCRIPTION	MATERIAL	COLOR	ITEM	BOM OF BLIND PLUG
1	CPA	PA66-GF30 V0	RED	8	
1	OUTER HOUSING - BLIND	PA66-GF30 V0	ORANGE	7	
1	PERIPHERAL SEAL	VMQ	GREEN	6	
1	SHIELDING - BLIND	COPPER ALLOY	-	5	
1	MCON 1.2 CABLE ASSY	-	-	4	
1	TPA	PA66-GF30 V0	RED	3	
1	INNER HOUSING-BLIND	PA66-GF30 V0	YELLOW	2	
1	RETAINER	PA66-GF30 V0	NATURAL	1	
-	DESCRIPTION	MATERIAL	COLOR	ITEM	
2-2371035-1	← ASSEMBLY P/N				
E	← REVISION OF ASSEMBLY				
Q'TY	← PART LIST				

P/N	REFERENCE VIEW OF CODINGS. BLIND 1:1	P/N	REFERENCE VIEW OF CODINGS. 2POS 1:1	P/N	REFERENCE VIEW OF CODINGS. 3POS 1:1
2-2371035-1		1-2371035-1		2371035-1	
		1-2371035-2		2371035-2	
		1-2371035-3		2371035-3	
		1-2371035-4		2371035-4	
		1-2371035-5		2371035-5	
		1-2371035-6		2371035-6	

Q'TY	DESCRIPTION	MATERIAL	COLOR	ITEM	BOM OF 3 POSITION	
1	CPA	PA66-GF30 V0	RED	8		
1	OUTER HOUSING - 3 POS	PA66-GF30 V0	ORANGE	7		
1	PERIPHERAL SEAL	VMQ	GREEN	6		
1	SHIELDING - 3 POS	COPPER ALLOY	-	5		
1	MCON 1.2 CABLE ASSY	-	-	4		
1	TPA	PA66-GF30 V0	RED	3		
1		PA66-GF30 V0	BROWN	2		
1		PA66-GF30 V0	GREEN			
1		PA66-GF30 V0	PURPLE			
1		PA66-GF30 V0	BLUE			
1		PA66-GF30 V0	WHITE	1		
1		PA66-GF30 V0	BLACK			
1	RETAINER	PA66-GF30 V0	NATURAL	1		
-	DESCRIPTION	MATERIAL	COLOR	ITEM		
F	E	D	C	B	A	← CODING
2371035-6	2371035-5	2371035-4	2371035-3	2371035-2	2371035-1	← ASSEMBLY P/N
E	E	E	E	E	E	← REVISION OF ASSMBLY
Q'TY	← PART LIST					



Q'TY	DESCRIPTION	MATERIAL	COLOR	ITEM	BOM OF 2 POSITION	
1	CPA	PA66-GF30 V0	RED	8		
1	OUTER HOUSING - 2 POS	PA66-GF30 V0	ORANGE	7		
1	PERIPHERAL SEAL	VMQ	GREEN	6		
1	SHIELDING - 2 POS	COPPER ALLOY	-	5		
1	MCON 1.2 CABLE ASSY	-	-	4		
1	TPA	PA66-GF30 V0	RED	3		
1		PA66-GF30 V0	BROWN	2		
1		PA66-GF30 V0	GREEN			
1		PA66-GF30 V0	PURPLE			
1		PA66-GF30 V0	BLUE			
1		PA66-GF30 V0	WHITE	1		
1		PA66-GF30 V0	BLACK			
1	RETAINER	PA66-GF30 V0	NATURAL	1		
-	DESCRIPTION	MATERIAL	COLOR	ITEM		
F	E	D	C	B	A	← CODING
1-2371035-6	1-2371035-5	1-2371035-4	1-2371035-3	1-2371035-2	1-2371035-1	← ASSEMBLY P/N
E	E	E	E	E	E	← REVISION OF ASSEMBLY
Q'TY	← PART LIST					

THIS DRAWING IS A CONTROLLED DOCUMENT.

DIMENSIONS: mm	TOLERANCES UNLESS OTHERWISE SPECIFIED: 0 PLC ±0.1, 1 PLC ±0.1, 2 PLC ±0.1, 3 PLC ±0.1, 4 PLC ±0.1	FINISH: ±2°	DATE: 06MAY2020	DWN: T.YANG
MATERIAL: -	APVD: L.Y. JIANG	DATE: 21MAY2020	CHK: E. JIANG	DATE: 21MAY2020
SCALE: 2:1	SIZE: A	CAGE CODE: 00779	DRAWING NO: 2371035	RESTRICTED TO: -
SHEET: 1	OF: 1	REV: E	CUSTOMER DRAWING	

PLUG ASSEMBLY
HD400. 2POS / 3POS CONNECTOR