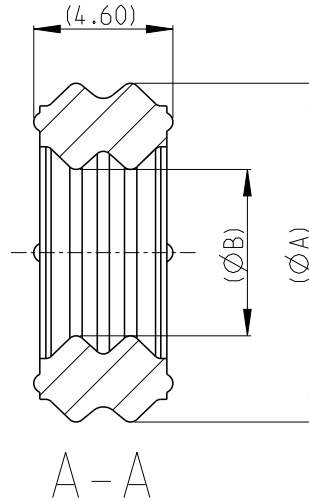
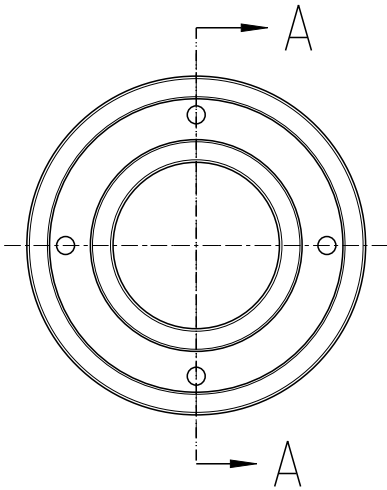
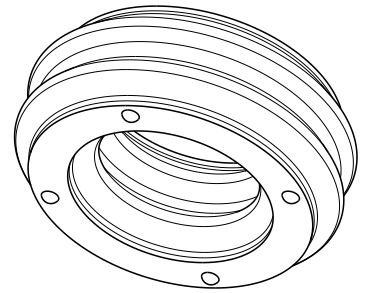


REVISIONS					
P	LTR	DESCRIPTION	DATE	DWN	APVD
	A	INITIAL RELEASE	15MAY21	Z.C	I.Y
	B	VERSION (ECR-23-180168)	06JUL23	T.H	Z.Z



1 MATERIAL:  
 INHERENTLY LUBRICATED SILICONE  
 COLOR: SEE CHART

- PART DIMENSIONS SHOWN ARE IN FREE STATE CONDITION
- FEATURE DENOTED BY REFERENCE DIMENSIONS MUST BE INSPECTED FOR PRESENCE
- PART MUST BE FREE OF EXCESSIVE FLASH, MIS-MATCH, STAINS, SCORES, SINK MARKS, OR OTHER VISUAL IMPERFECTIONS THAT MAY AFFECT PRODUCT FIT OR FUNCTION

Ø5.50	Ø11.20	GREEN	FOR 6SQM	2371244-3
Ø4.70	Ø11.20	RUST RED	FOR 4SQM	2371244-2
Ø3.60	Ø11.30	LIGHT BLUE	FOR 2.5SQM	2371244-1
DIM. B	DIM. A	COLOR	DESCRIPTION	PART NO

© 2021 TE Connectivity. All Rights Reserved.

DIMENSIONS: mm	DWN Z.CHEN	29APR2021	MATERIAL	1	FINISH	-
	CHK J.LI	30APR2021				
TOLERANCES UNLESS OTHERWISE SPECIFIED:	APVD I.YIN	09MAY2021				
	0 PLC ±	PRODUCT SPEC	108-160170	SIZE	CAGE CODE	DRAWING NO
1 PLC ±	APPLICATION SPEC	114-160093	A 4	00779	C=2371244	-
2 PLC ±	WEIGHT	-	CUSTOMER DRAWING			
3 PLC ±			SCALE	4:1	SHEET	1 OF 1
4 PLC ±					REV	B
ANGLES ±						