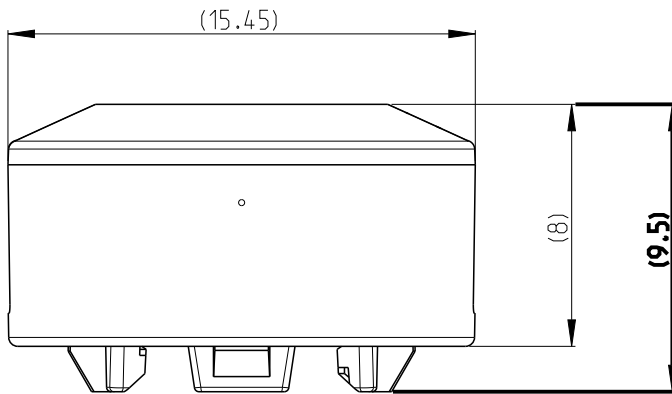
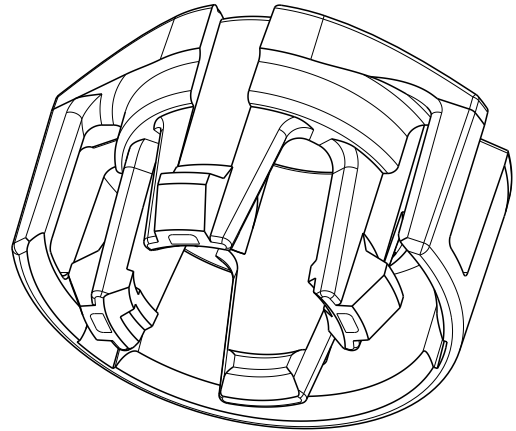
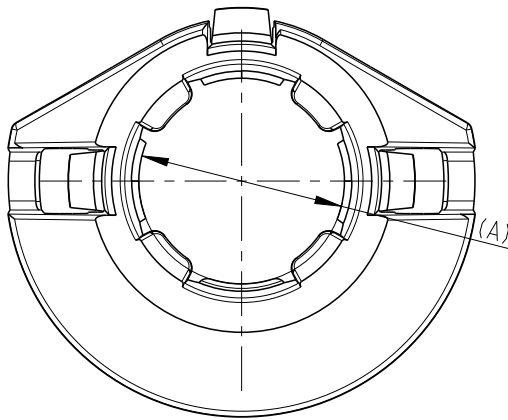


REVISIONS					
P	LTR	DESCRIPTION	DATE	DWN	APVD
	A	INITIAL RELEASE	31MAY2021	Z.C	I.Y
	A1	REVISION (ECR-23-167203)	22FEB2023	H.P	Z.Z



1 MATERIAL: PA66 30%GF
COLOR: SEE CHART

2. FEATURE DENOTED BY REFERENCE DIMENSIONS MUST BE INSPECTION FOR PRESENCE

3. PART MUST BE FREE OF EXCESSIVE FLASH, MIS-MATCH, SINK MARKS. OR OTHER VISUAL IMPERFECTIONS THAT MAY AFFECT PRODUCT FIT OR FUNCTION

4. BULK PACKAGED

AI	5.50	6.30	Ø6.45	NATURAL	FOR 5SQM	1-2371245-2
AI	5.00	5.40	Ø5.75	RED	FOR 3SQM	1-2371245-1
	6.00	6.50	Ø6.80	ORANGE	FOR 6SQM	2371245-3
	5.30	5.80	Ø6.10	GRAY	FOR 4SQM	2371245-2
	4.20	4.70	Ø5.00	BLANK	FOR 2.5SQM	2371245-1
	MIN.	MAX.	DIM. A	COLOR	DESCRIPTION	PART NO.
	WIRE O.D.					

© 2021 TE Connectivity. All Rights Reserved.

DIMENSIONS: mm	DWN Z.CHEN 31MAY2021	MATERIAL	1 -		FINISH	-		
TOLERANCES UNLESS OTHERWISE SPECIFIED:	CHK J.LI 08JUN2021							
0 PLC ± 1 PLC ±0.1 2 PLC ±0.01 3 PLC ±0.001 4 PLC ±0.0001 ANGLES ±	APVD I.YIN 09JUN2021							
	PRODUCT SPEC 108-160170	NAME CABLE CLIP HD400 2P 3P						
	APPLICATION SPEC 114-160093	SIZE A 4	CAGE CODE 00779	DRAWING NO C=2371245	RESTRICTED TO -			
	WEIGHT -	CUSTOMER DRAWING				SCALE 4:1	SHEET 1 OF 1	REV A1