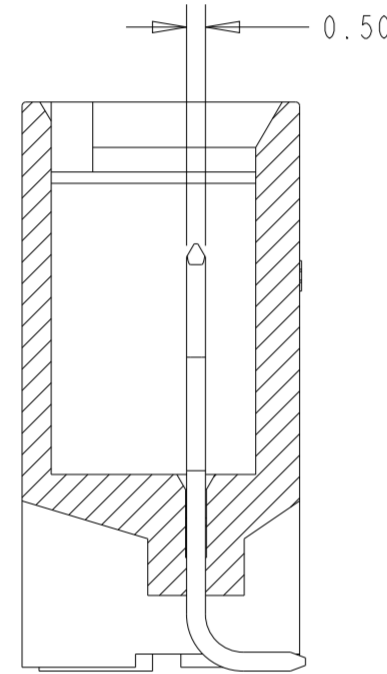
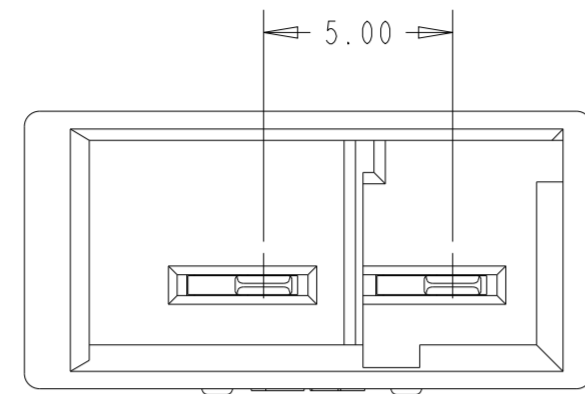
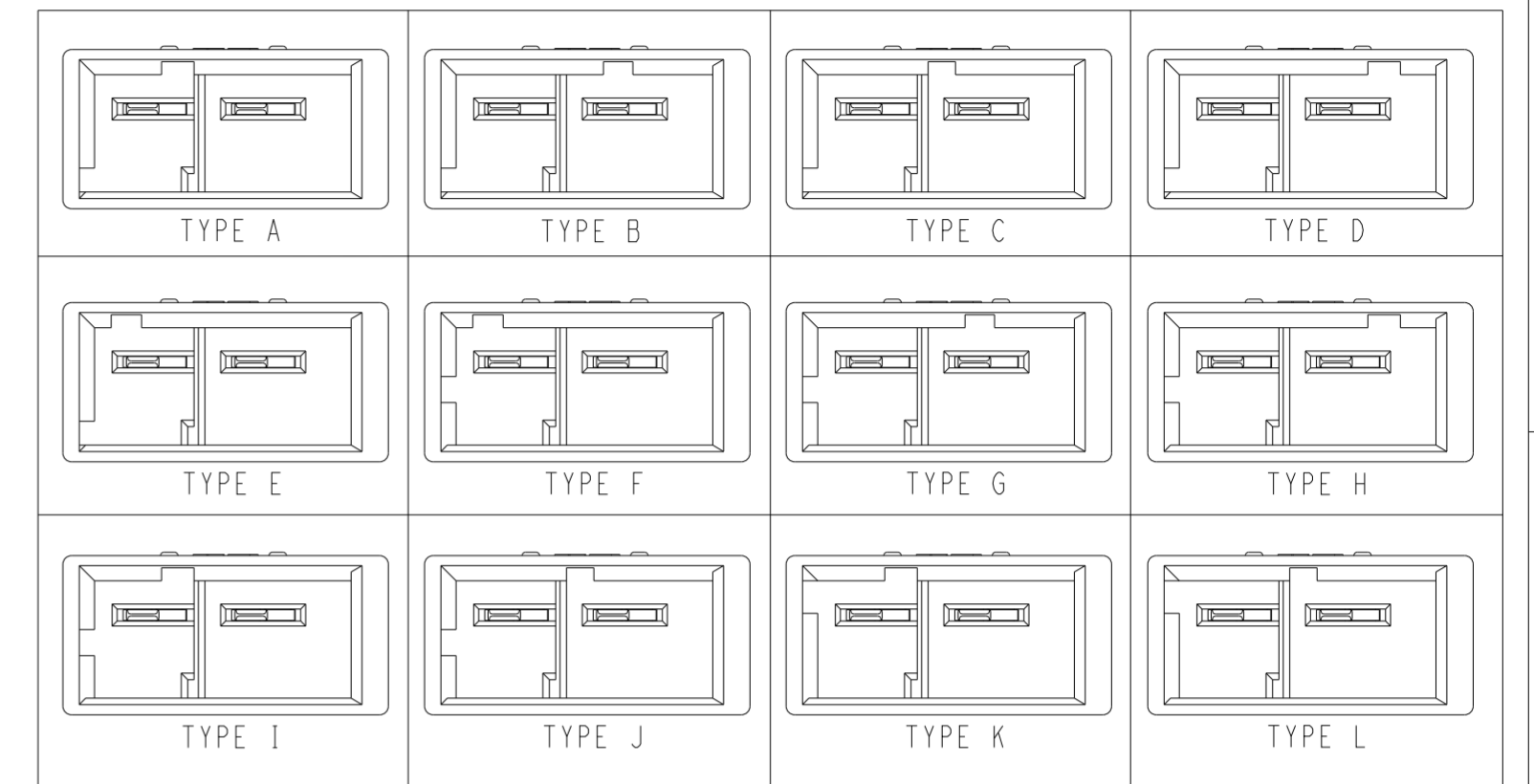
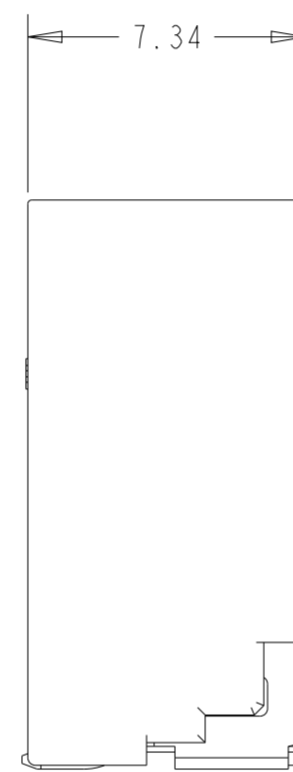
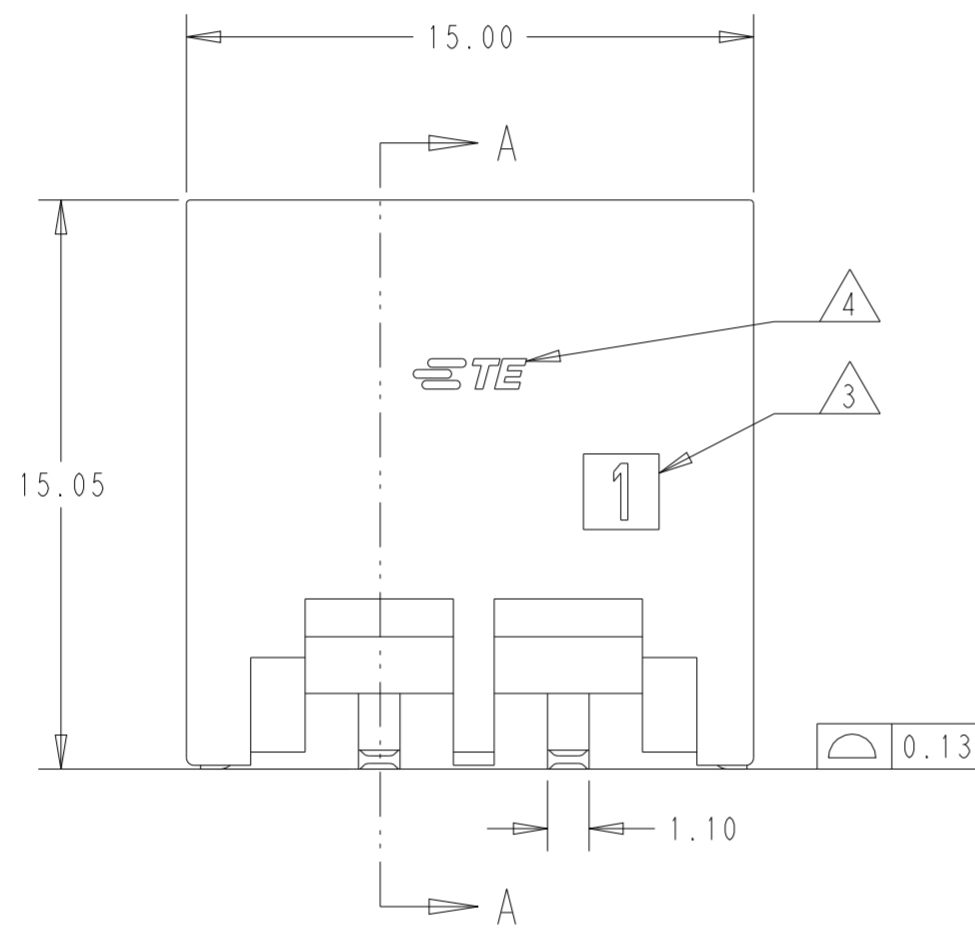


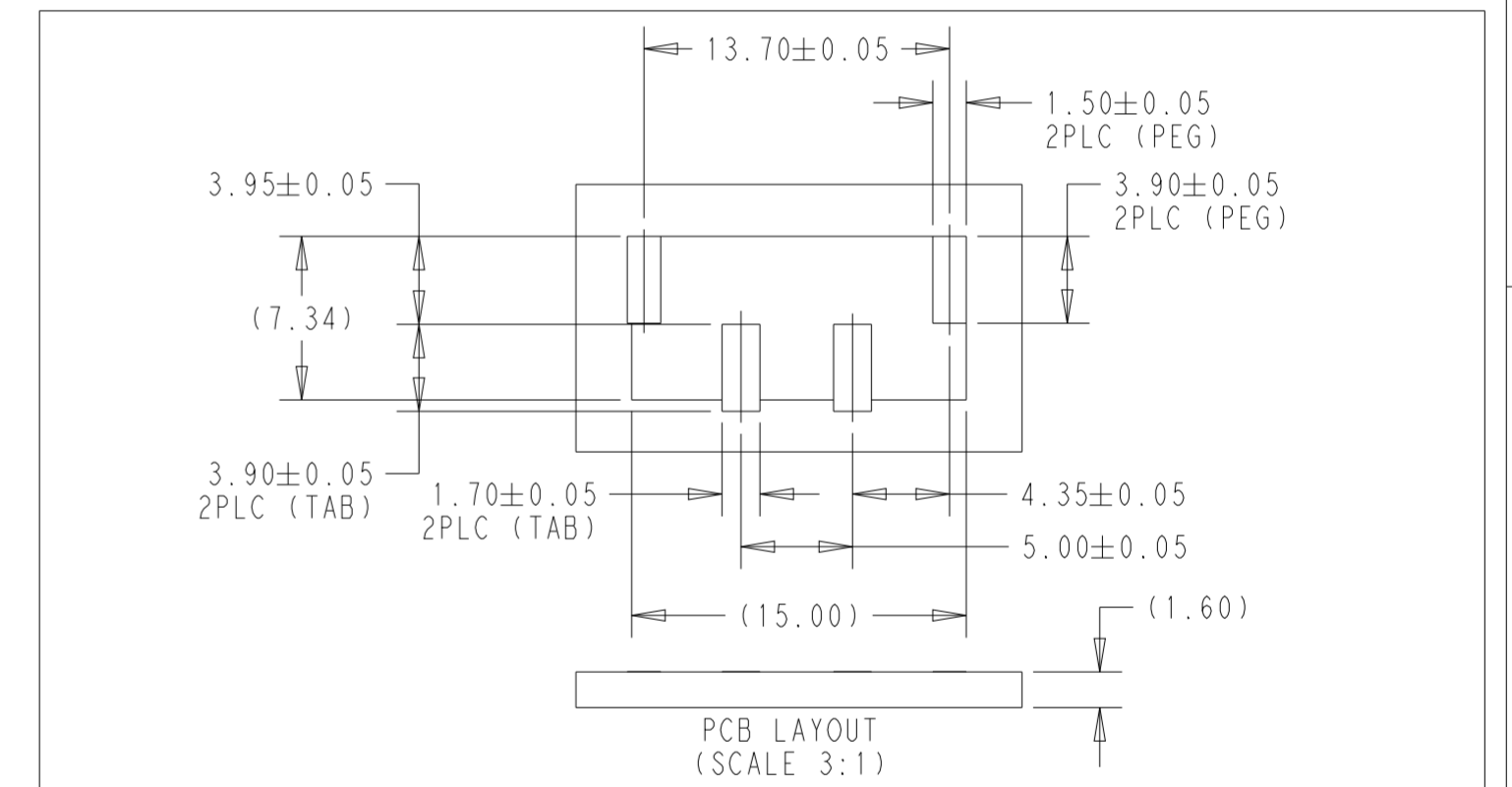
REVISIONS					
P	LTR	DESCRIPTION	DATE	DWN	APVD
	A	RELEASED	19DEC2023	KS	DZ



A - A

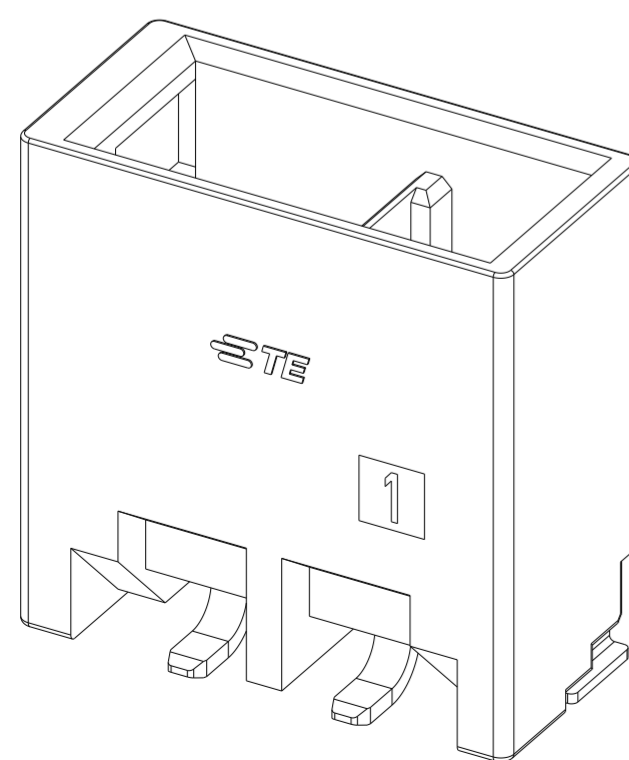
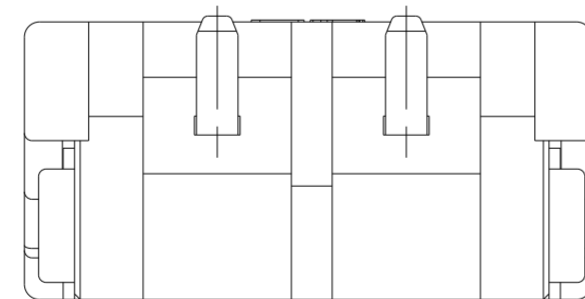


KEYING TYPE (SCALE 3:1)



PCB LAYOUT (SCALE 3:1)

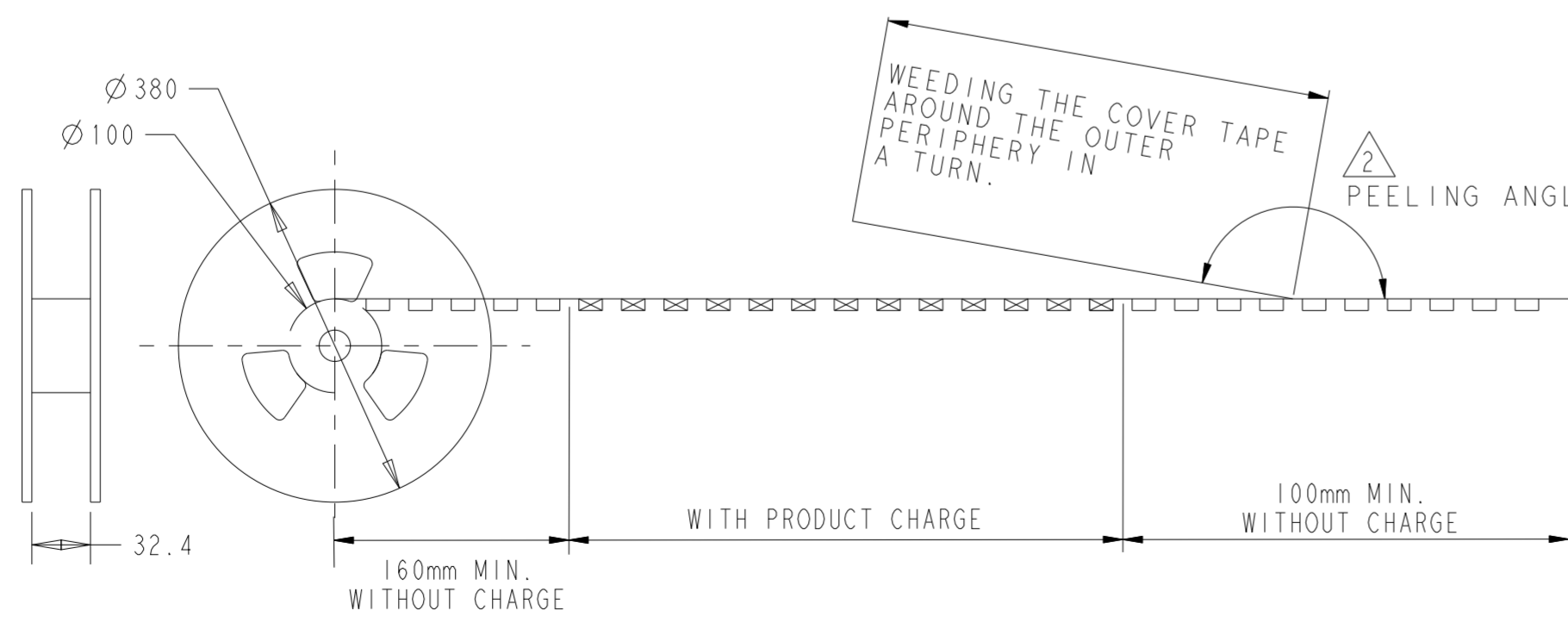
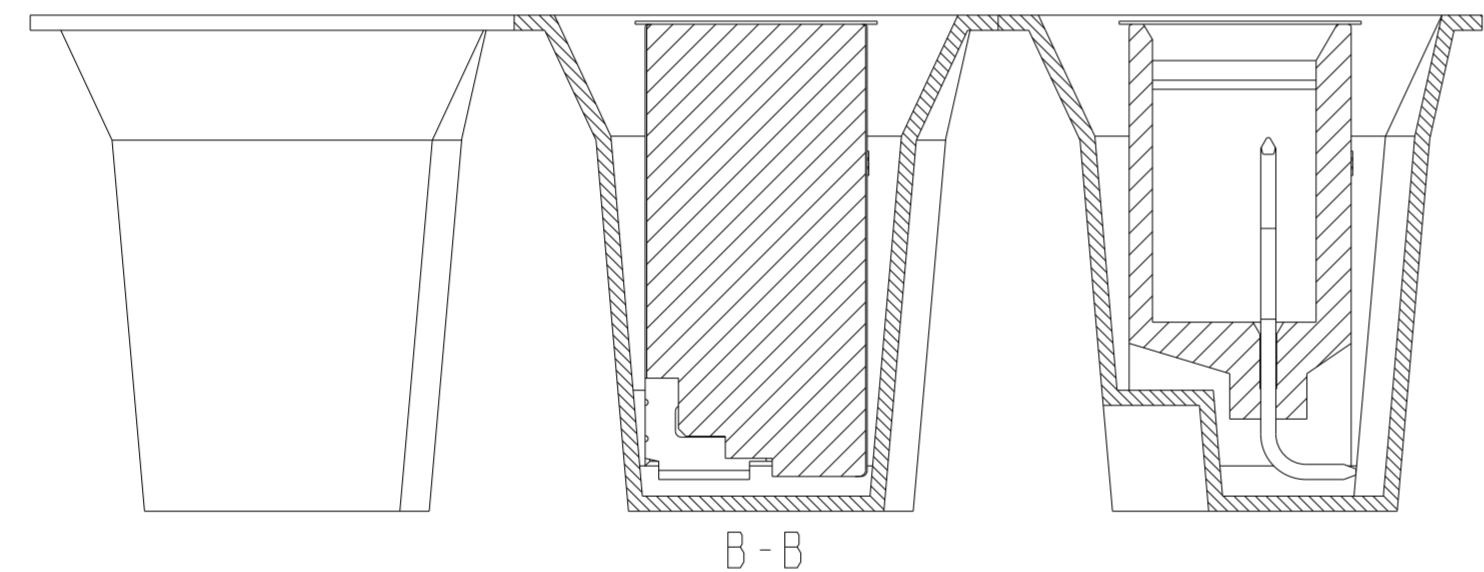
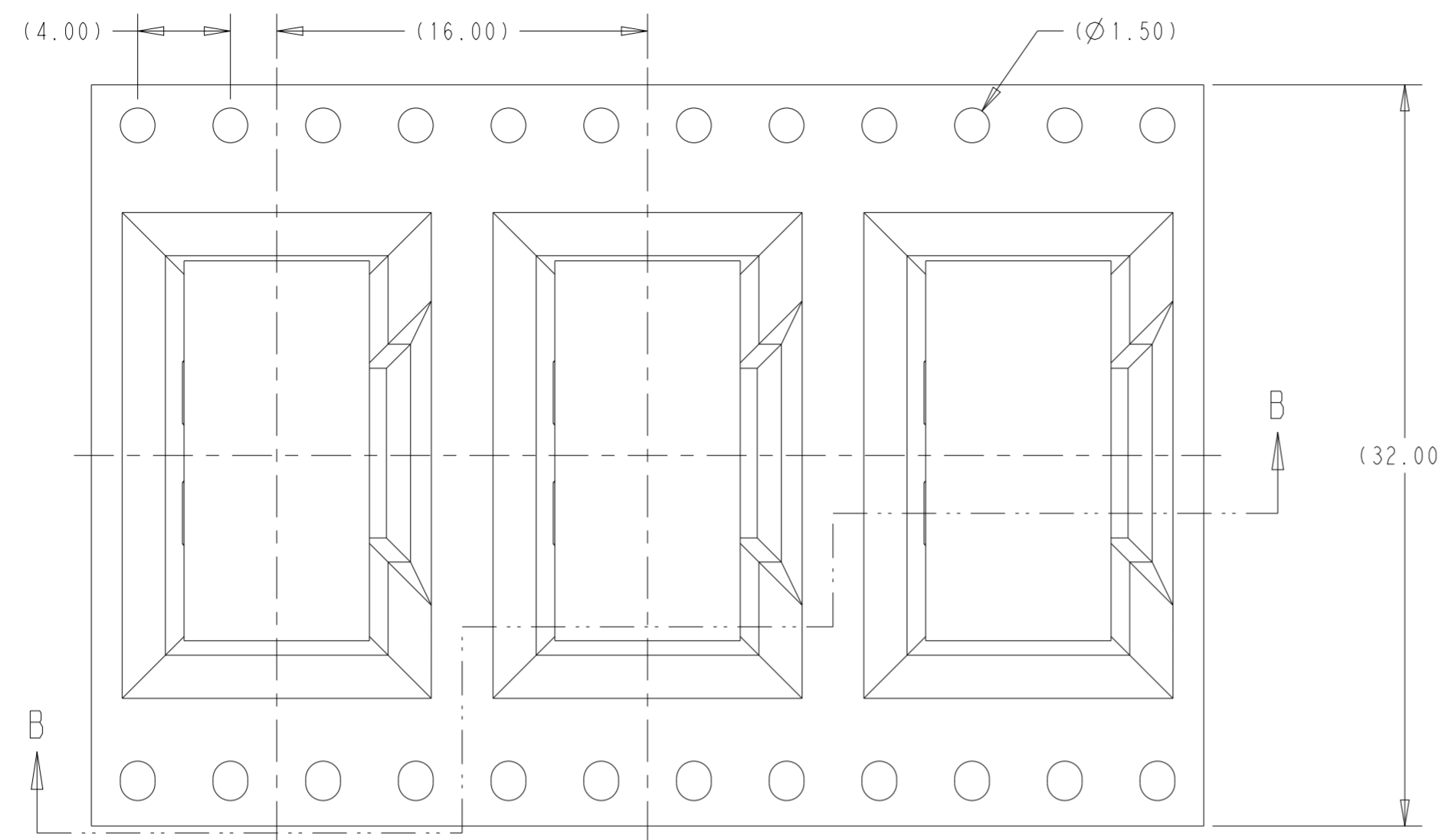
- 1 MATERIAL INFORMATION  
HOUSING: HIGH TEMP NYLON CONFORMS TO UL-94 V0  
GWEPT 750°C WITHOUT FLAME PER IEC 60335-1.  
TAB CONTACT: COPPER ALLOY WITH TIN PLATED.  
SOLDER PEG: STEEL WITH TIN PLATED
- 2 MATING PARTS: SEE TABLE.
- 3 CIRCUIT NUMBER.
- 4 TRADE MARK.



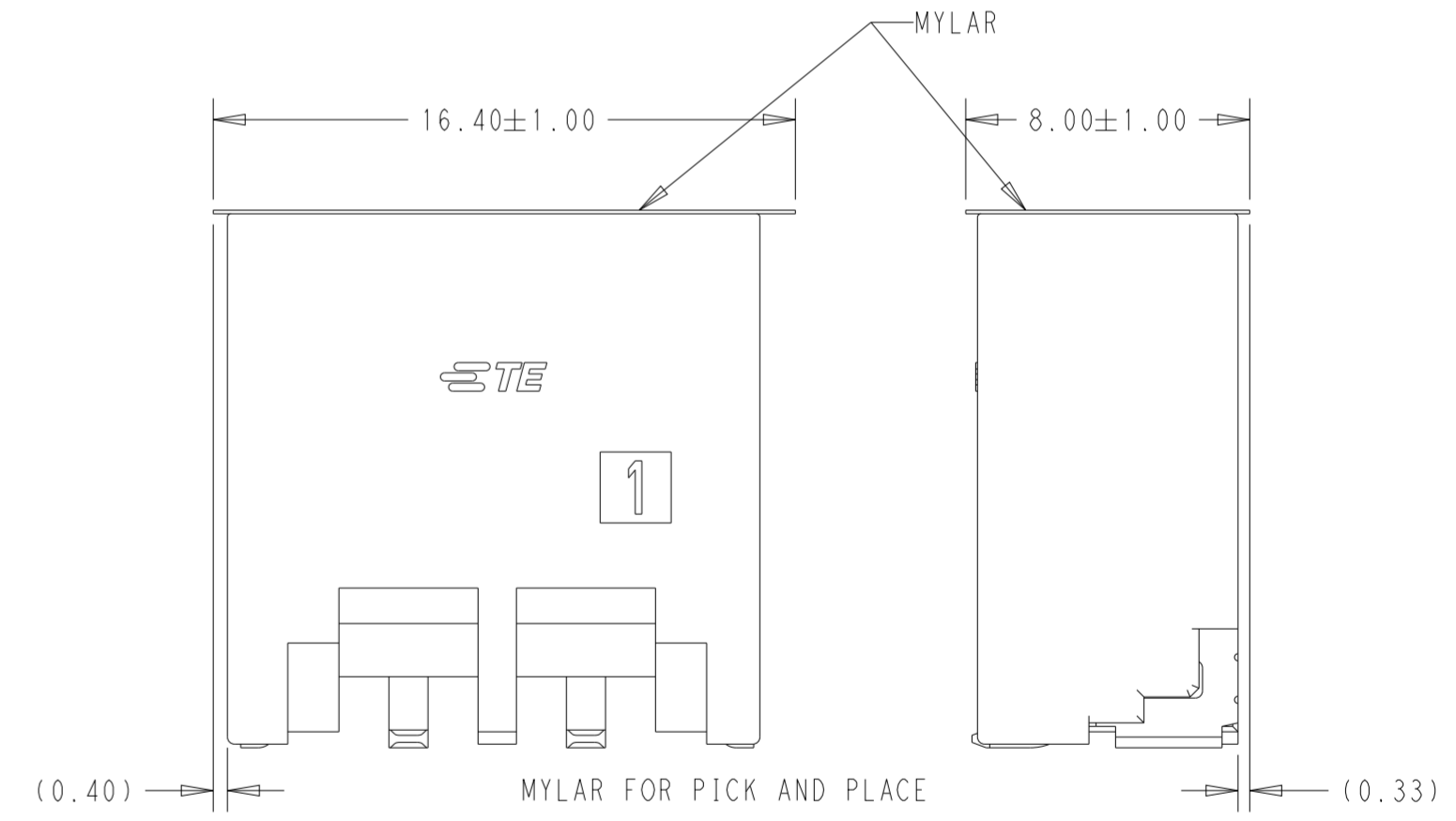
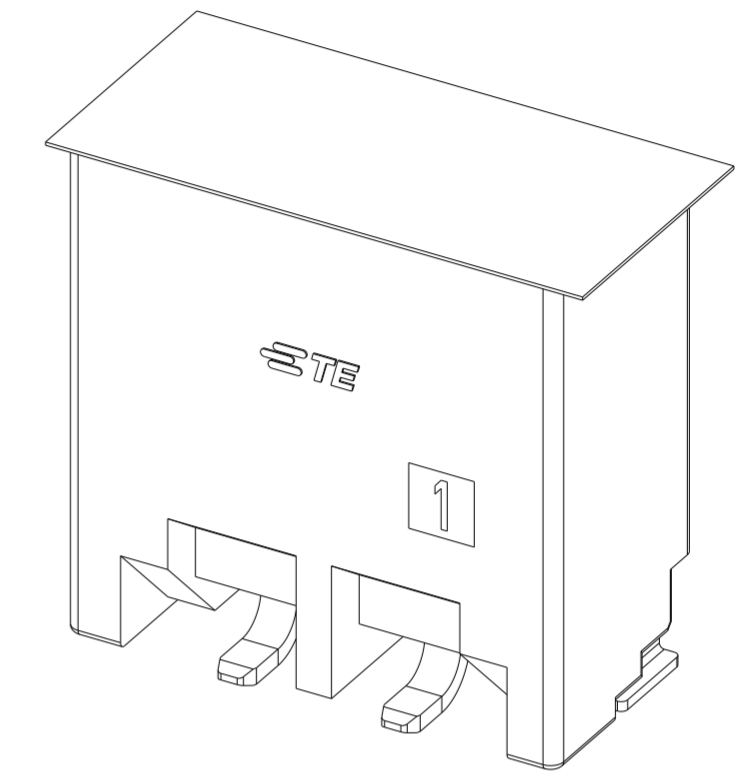
1-2371224-2	L	PINK	2	1-2371337-2
1-2371224-1	K	GREEN	2	1-2371337-1
1-2371224-0	J	RED	2	1-2371337-0
2371224-9	I	GRAY	2	2371337-9
2371224-8	H	BROWN	2	2371337-8
2371224-7	G	BLACK	2	2371337-7
2371224-6	F	PALE GREEN	2	2371337-6
2371224-5	E	PURPLE	2	2371337-5
2371224-4	D	YELLOW	2	2371337-4
2371224-3	C	BLUE	2	2371337-3
2371224-2	B	VIOLET	2	2371337-2
2371224-1	A	NATURAL	2	2371337-1
2 MATING P/N	KEYING	COLOR	POS.	P/N

THIS DRAWING IS A CONTROLLED DOCUMENT.		DWN KEN SAKAI 13APR2023	TE Connectivity	
DIMENSIONS: mm		CHK KEN SAKAI 13APR2023		
TOLERANCES UNLESS OTHERWISE SPECIFIED:		APVD DANIEL ZHANG 13APR2023	NAME HEADER ASSEMBLY 2P 5.0 POWER KEY CONNECTOR, SMT	
<ul style="list-style-type: none"> <li>0-PLC ± 0.3</li> <li>1-PLC ±</li> <li>2-PLC ±</li> <li>3-PLC ±</li> <li>4-PLC ±</li> <li>ANGLES ±3°</li> <li>FINISH</li> </ul>		PRODUCT SPEC 108-106528	RESTRICTED TO	
MATERIAL		APPLICATION SPEC	SIZE A2	CAGE CODE 00779
1		WEIGHT 1.4g	DRAWING NO C-2371337	
CUSTOMER DRAWING		SCALE 5:1	SHEET 1 OF 2	
		REV A		

⇒ USER DIRECTION OF UNREELING



REVISIONS					
P	LTR	DESCRIPTION	DATE	DWN	APVD
-	-	SEE SHEET 1	-	-	-



- NOTES FOR PACKAGE:
- UNLESS OTHERWISE SPECIFIED TOLERANCE PER EIA-481.
  - EMBOSS TAPE PEELING STRENGTH: 0.1N~1.3N  
 PEELING CONDITION  
 PEELING ANGLE: 165~180°  
 PEELING SPEED: 300mm/MINUTE

THIS DRAWING IS A CONTROLLED DOCUMENT.		DWN KEN SAKAI 13APR2023	TE Connectivity		
DIMENSIONS: mm		CHK DANIEL ZHANG 13APR2023			
TOLERANCES UNLESS OTHERWISE SPECIFIED:		APVD DANIEL ZHANG 13APR2023	NAME HEADER ASSEMBLY 2P 5.0 POWER KEY CONNECTOR, SMT		
0-PLC ± 1-PLC ± 2-PLC ± 3-PLC ± 4-PLC ± ANGLES ±3° FINISH		PRODUCT SPEC 108-106528	SIZE A2	CAGE CODE 00779	DRAWING NO C-2371337
MATERIAL		APPLICATION SPEC -	RESTRICTED TO -	SCALE 5:1	SHEET 2 OF 2
		WEIGHT -	CUSTOMER DRAWING	REV A	