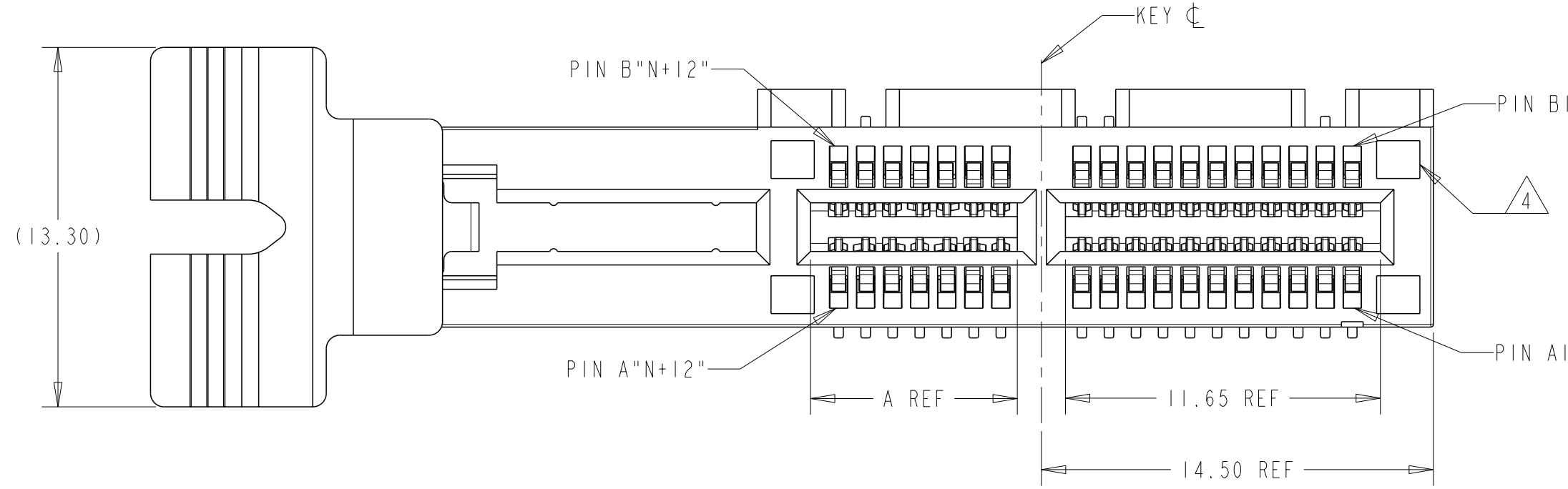
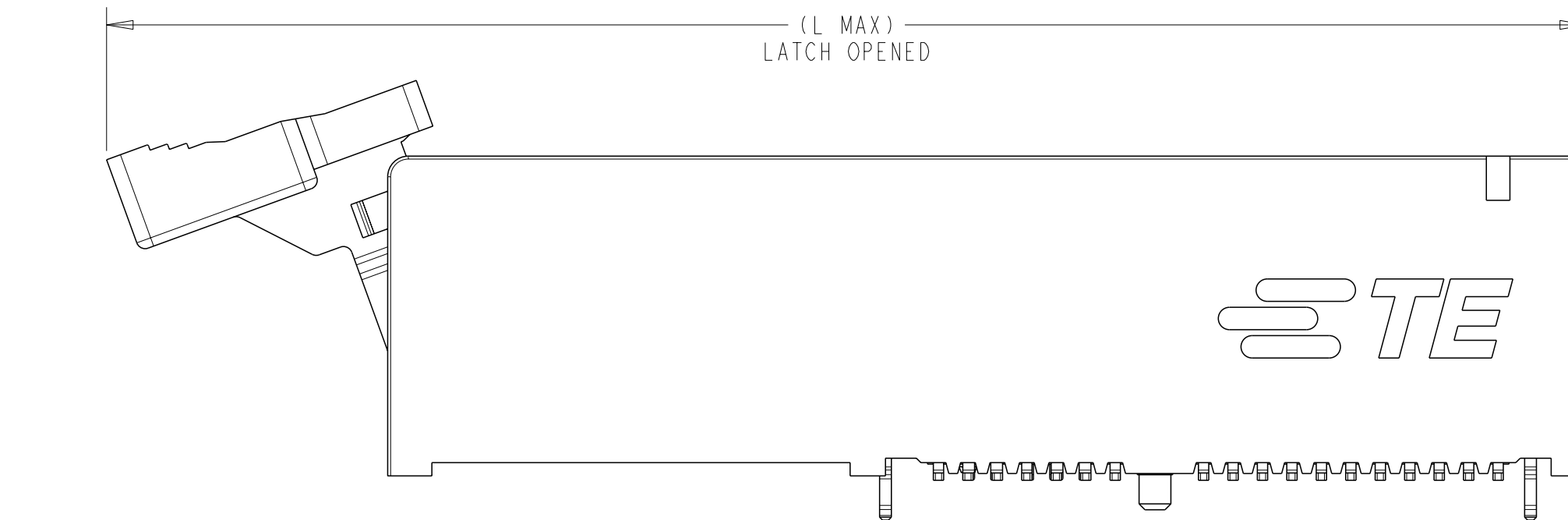
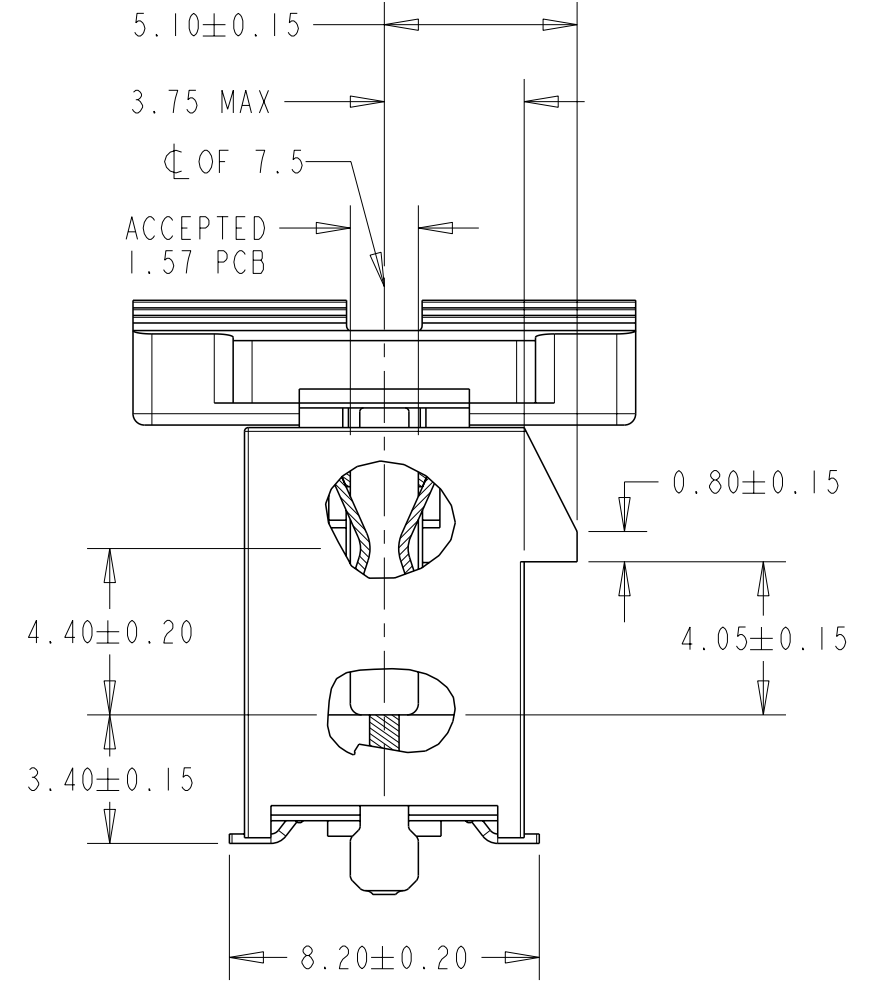
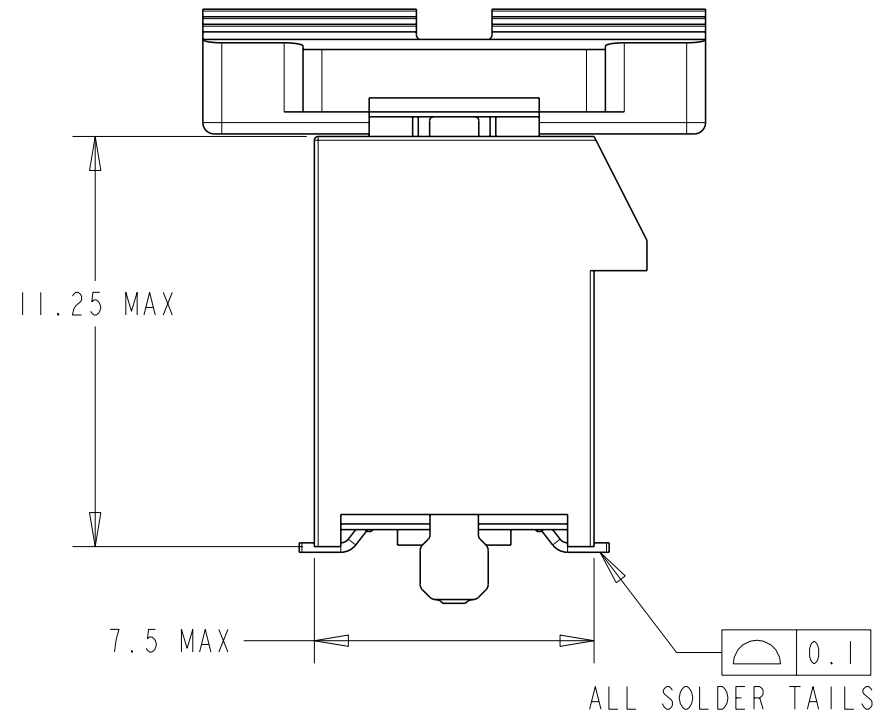
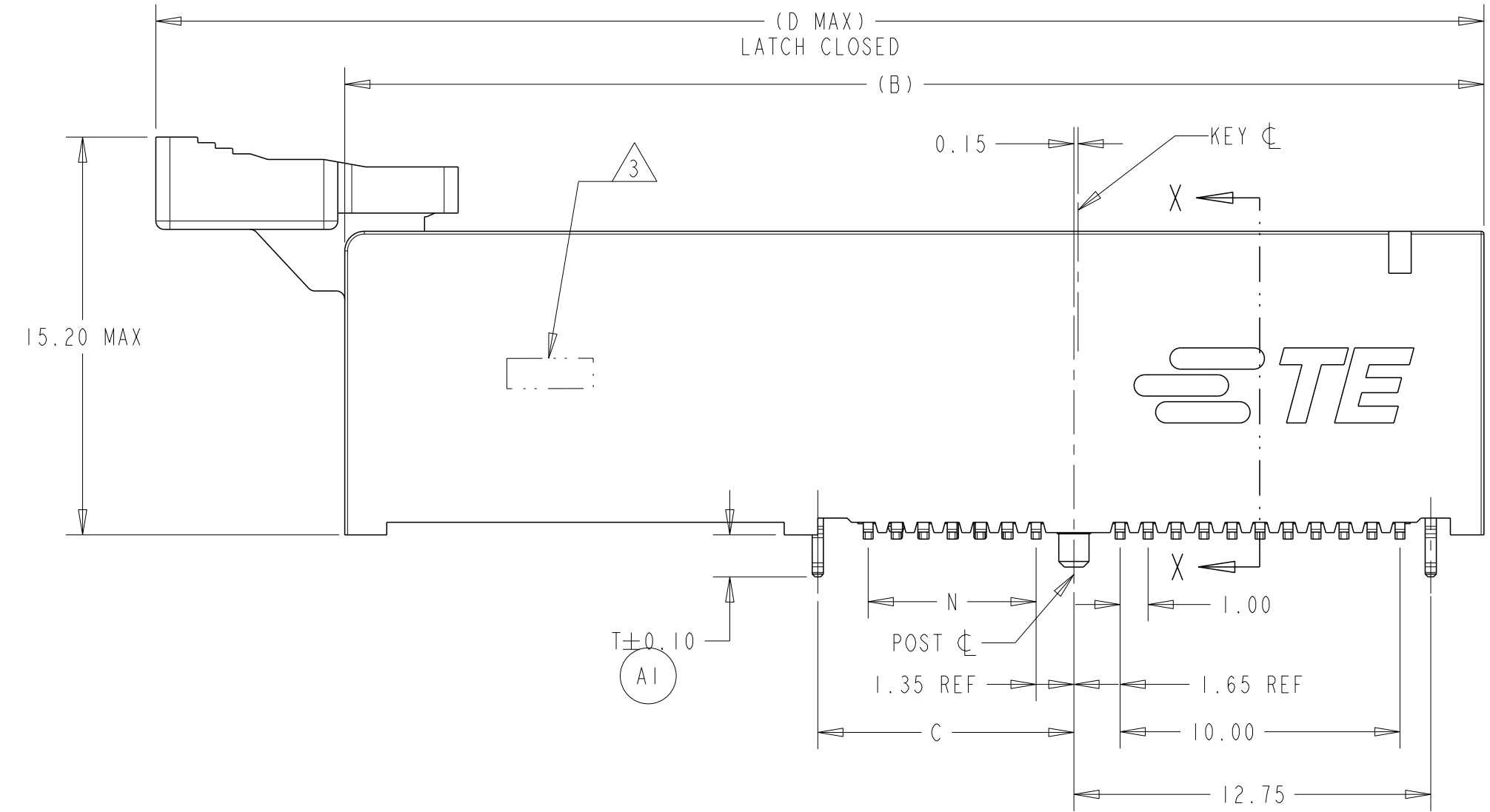



REVISIONS					
P	LTR	DESCRIPTION	DATE	DWN	APVD
A		A REVISION RELEASE	6JUNE2022	SY	HL
A1		ADD 2.76mm SOLDER TAB PN	13JUNE2022	SY	HL



NOTES:

- 1 MATERIAL:
HOUSING: HIGH-TEMP PLASTIC; BLACK, UL 94V-0
LATCH: HIGH-TEMP PLASTIC; NATURAL, UL 94V-0
CONTACT: COPPER ALLOY
SOLDER TAB: STAINLESS STEEL
 - 2 FINISH:
(SEE TALBE) μ m GOLD PLATING OR GOLD FLASH OVER PdNi ON CONTACT AREA.
2.54 μ m MATTE-TIN PLATING ON SOLDER TAIL AREA.
1.27 μ m NICKEL UNDERPLATING OVERALL.
 - 3 PCIE5, PART NUMBER AND DC PRINTED IN APPROPRIATE AREA OR OPPOSITE.
 - 4 SUCH CORE VOIDS OPTIONAL PER MANUFACTURER'S CONVENIENCE.
5. ONLY PARTIAL PARTS WERE TOOLED, PLEASE CONTACT TE FOR PART AVAILABILITY



THIS DRAWING IS A CONTROLLED DOCUMENT.		DWN SANDERS YAN 22MAR2020	 TE Connectivity	
DIMENSIONS: mm		CHK MIKE CHEN 22MAY2020		
TOLERANCES UNLESS OTHERWISE SPECIFIED:		APVD HOPE LU 22MAR2020	NAME PCI EXPRESS CARD EDGE CONNECTOR GEN5, SMT, WITH LATCH	
0 PLC \pm		PRODUCT SPEC 108-160247	SIZE A2	
1 PLC \pm 0.3		APPLICATION SPEC -	CAGE CODE 00779	DRAWING NO C-2371438
2 PLC \pm 0.2		WEIGHT -	RESTRICTED TO -	
3 PLC \pm 0.05		CUSTOMER DRAWING	SCALE 5:1	SHEET 1 OF 5
4 PLC \pm				REV A1
ANGLES \pm				
FINISH				

printed on 1 Aug 2022 11:15 (China Standard Time) from TE326424

REVISIONS

P	LTR	DESCRIPTION	DATE	DWN	APVD
-		SEE SHEET 1	-	-	-

A1

G/F	W	V	T	P	Q	L	J	D	N	C	B	A	POS.	PART NUMBER
30u"	86.5	8.0	2.76	1.95	0.9	118	50.3	113	70	73.15	104.7	71.65	164	2371438-5
15u"	86.5	8.0	2.76	1.95	0.9	118	50.3	113	70	73.15	104.7	71.65	164	6-2371438-8
30u"	86.5	8.0	2.76	1.95	0.9	118	50.3	113	70	73.15	104.7	71.65	164	6-2371438-4
30u"	86.5	8.0				118	50.3	113	70	73.15	104.7	71.65	164	5-2371438-8
30u"	53.5	8.0				85	33.8	80	37	40.15	71.7	38.65	98	5-2371438-7
30u"	36.5	8.0				68	25.3	63	20	23.15	54.7	21.65	64	5-2371438-6
30u"	22.5	8.0				54	18.3	49	6	9.15	40.7	7.65	36	5-2371438-5
30u"	10.0	8.0				118	50.3	113	70	73.15	104.7	71.65	164	5-2371438-4
30u"	10.0	8.0				85	33.8	80	37	40.15	71.7	38.65	98	5-2371438-3
30u"	10.0	8.0				68	25.3	63	20	23.15	54.7	21.65	64	5-2371438-2
30u"	10.0	8.0				54	18.3	49	6	9.15	40.7	7.65	36	5-2371438-1
15u"	86.5	8.0				118	50.3	113	70	73.15	104.7	71.65	164	4-2371438-8
15u"	53.5	8.0				85	33.8	80	37	40.15	71.7	38.65	98	4-2371438-7
15u"	36.5	8.0				68	25.3	63	20	23.15	54.7	21.65	64	4-2371438-6
15u"	22.5	8.0				54	18.3	49	6	9.15	40.7	7.65	36	4-2371438-5
15u"	10.0	8.0				118	50.3	113	70	73.15	104.7	71.65	164	4-2371438-4
15u"	10.0	8.0				85	33.8	80	37	40.15	71.7	38.65	98	4-2371438-3
15u"	10.0	8.0				68	25.3	63	20	23.15	54.7	21.65	64	4-2371438-2
15u"	10.0	8.0				54	18.3	49	6	9.15	40.7	7.65	36	4-2371438-1
G/F	86.5	8.0				118	50.3	113	70	73.15	104.7	71.65	164	3-2371438-8
G/F	53.5	8.0	1.5	2.3	1.1	85	33.8	80	37	40.15	71.7	38.65	98	3-2371438-7
G/F	36.5	8.0				68	25.3	63	20	23.15	54.7	21.65	64	3-2371438-6
G/F	22.5	8.0				54	18.3	49	6	9.15	40.7	7.65	36	3-2371438-5
G/F	10.0	8.0				118	50.3	113	70	73.15	104.7	71.65	164	3-2371438-4
G/F	10.0	8.0				85	33.8	80	37	40.15	71.7	38.65	98	3-2371438-3
G/F	10.0	8.0				68	25.3	63	20	23.15	54.7	21.65	64	3-2371438-2
G/F	10.0	8.0				54	18.3	49	6	9.15	40.7	7.65	36	3-2371438-1
30u"		NA				118	50.3	113	70	73.15	104.7	71.65	164	2-2371438-4
30u"		NA				85	33.8	80	37	40.15	71.7	38.65	98	2-2371438-3
30u"		NA				68	25.3	63	20	23.15	54.7	21.65	64	2-2371438-2
30u"		NA				54	18.3	49	6	9.15	40.7	7.65	36	2-2371438-1
15u"		NA				118	50.3	113	70	73.15	104.7	71.65	164	1-2371438-4
15u"		NA				85	33.8	80	37	40.15	71.7	38.65	98	1-2371438-3
15u"		NA				68	25.3	63	20	23.15	54.7	21.65	64	1-2371438-2
15u"		NA				54	18.3	49	6	9.15	40.7	7.65	36	1-2371438-1
G/F		NA				118	50.3	113	70	73.15	104.7	71.65	164	2371438-4
G/F		NA				85	33.8	80	37	40.15	71.7	38.65	98	2371438-3
G/F		NA				68	25.3	63	20	23.15	54.7	21.65	64	2371438-2
G/F		NA				54	18.3	49	6	9.15	40.7	7.65	36	2371438-1

PRECIOUS PLATING THICKNESS (TOTAL)	W	V	T	P	Q	L	J	D	N	C	B	A	POS.	PART NUMBER
	MYLAR SIZE (PAGE 4)		TAB LENGTH	PCB PAD HOLE										

THIS DRAWING IS A CONTROLLED DOCUMENT.

DWN SANDERS YAN 22MAR2020
CHK MIKE CHEN 22MAY2020
APVD HOPE LU 22MAR2020

STE TE Connectivity

NAME PCI EXPRESS CARD EDGE CONNECTOR GEN5, SMT, WITH LATCH

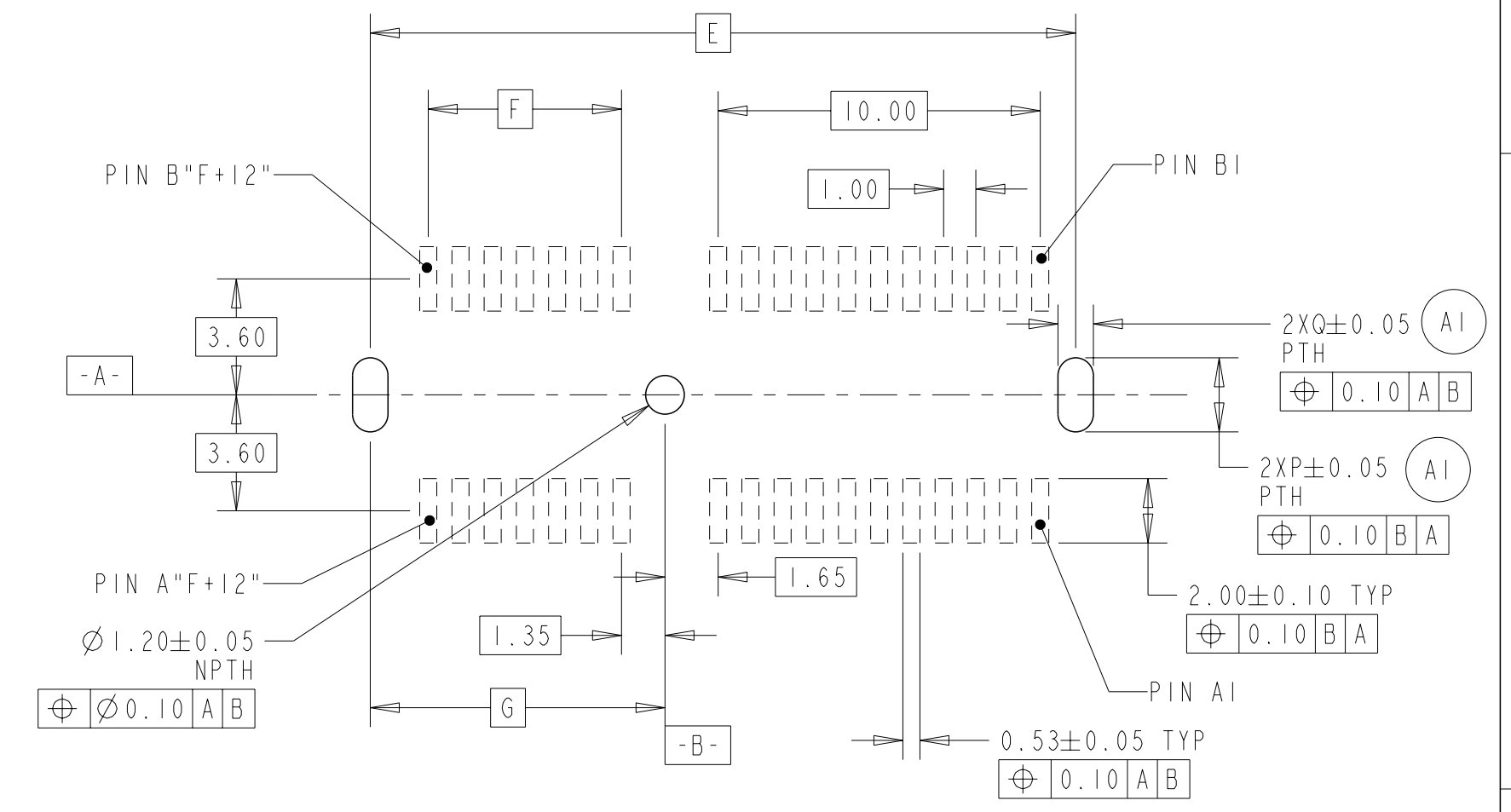
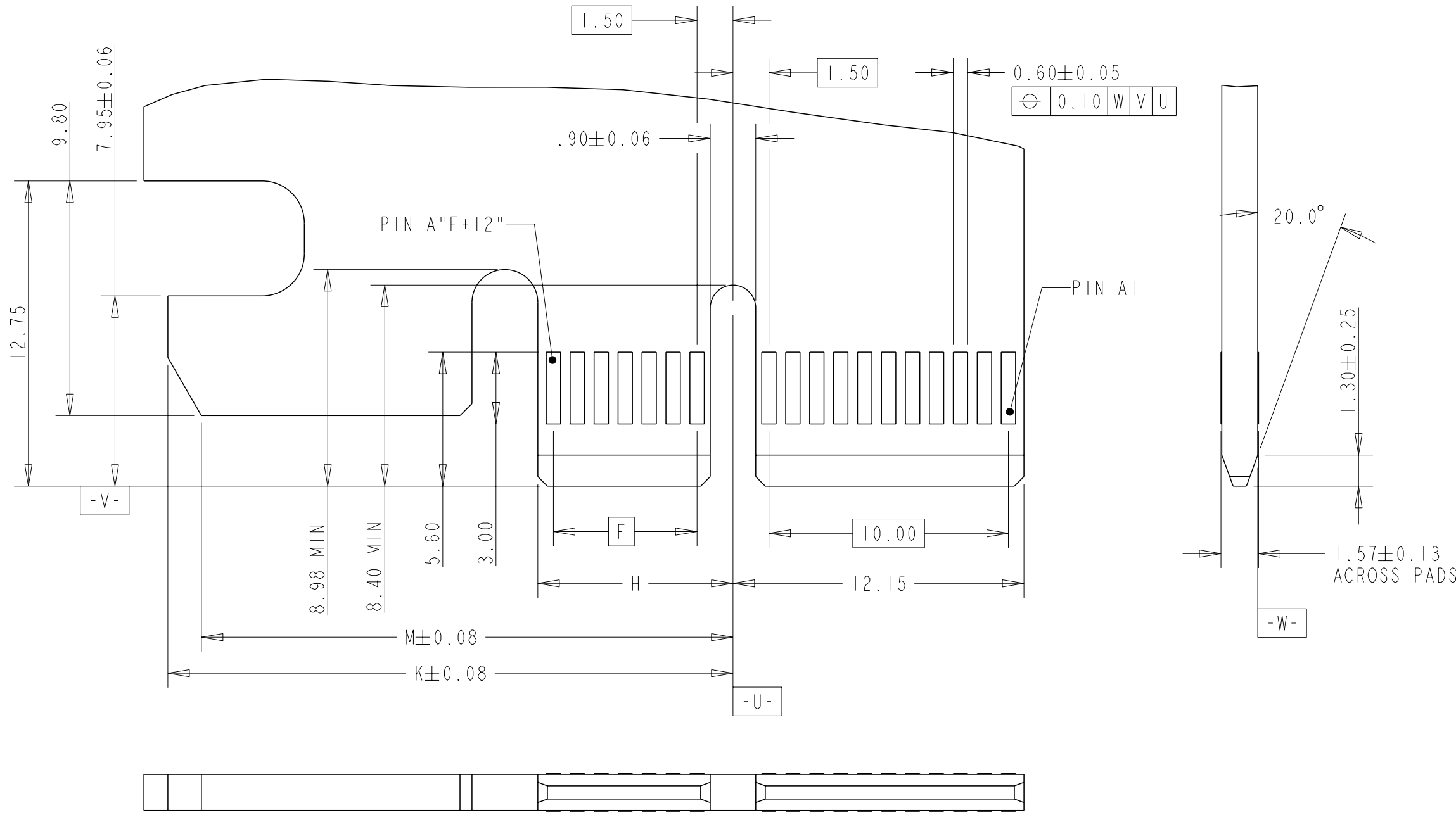
PRODUCT SPEC 108-160247
APPLICATION SPEC -

SIZE A2 CAGE CODE 00779 DRAWING NO C-2371438 RESTRICTED TO -

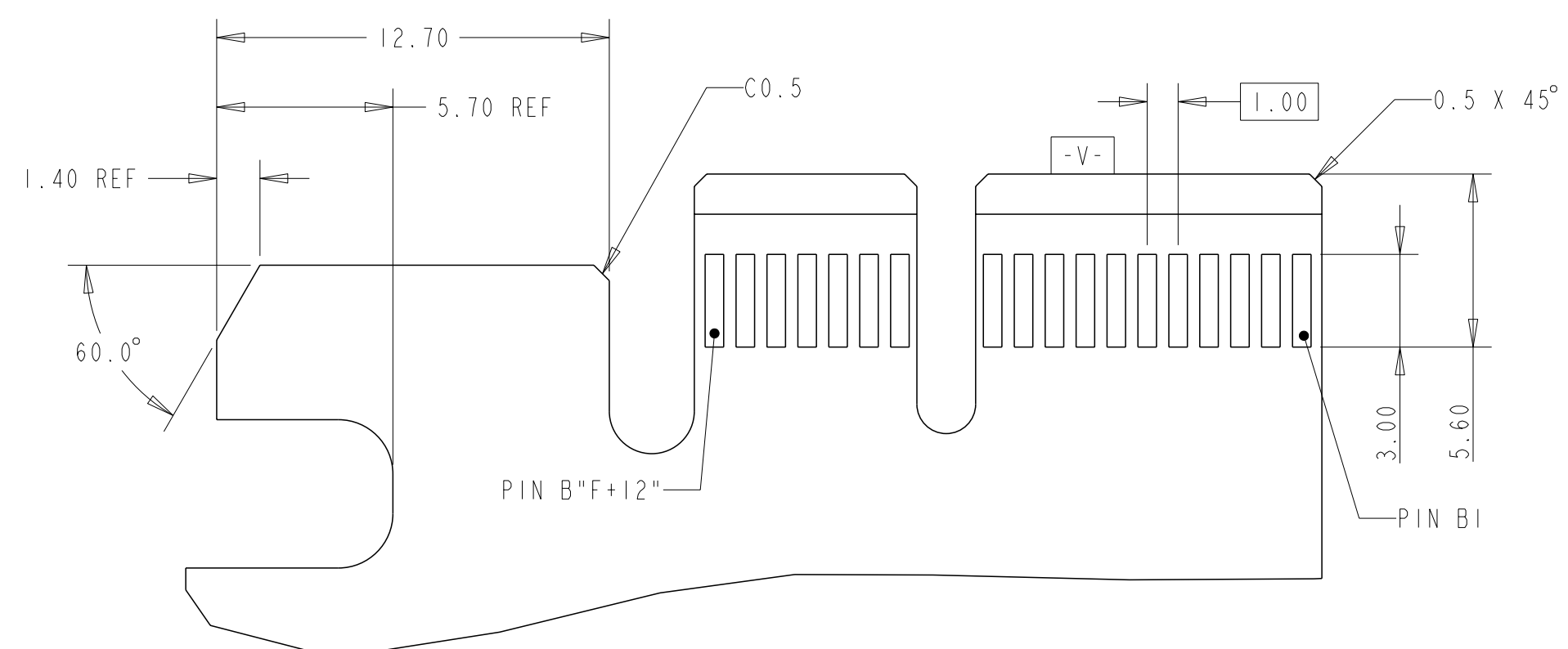
MATERIAL - FINISH - WEIGHT - CUSTOMER DRAWING SCALE 5:1 SHEET 2 OF 5 REV A1

Printed on 1 Aug 2022 11:15 (China Standard Time) from E326424

REVISIONS					
P	LTR	DESCRIPTION	DATE	DWN	APVD
-		SEE SHEET 1	-	-	-



RECOMMENDED PCB LAYOUT



ADD-IN CARD EDGE-FINGER DIMENSION
DEFAULT TOLERANCE: ±0.13

164	85.90	70	73.15	72.15	86.2	87.6
98	52.90	37	40.15	39.15	53.2	54.6
64	35.90	20	23.15	22.15	36.2	37.6
36	21.90	6	9.15	8.15	22.2	23.6
POS	DIM E	DIM F	DIM G	DIM H	DIM M	DIM K

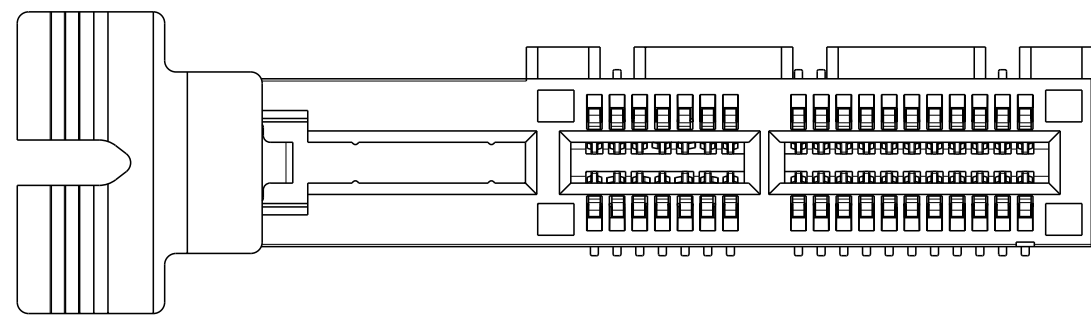
THIS DRAWING IS A CONTROLLED DOCUMENT.

DWN SANDERS YAN 22MAR2020	 TE Connectivity	NAME PCI EXPRESS CARD EDGE CONNECTOR GEN5, SMT, WITH LATCH		
CHK MIKE CHEN 22MAY2020				
APVD HOPE LU 22MAR2020				
PRODUCT SPEC 108-160247				
MATERIAL	SIZE A2	CAGE CODE 00779	DRAWING NO. C-2371438	RESTRICTED TO
DIMENSIONS: mm	SCALE 5:1		SHEET 3 OF 5	
TOLERANCES UNLESS OTHERWISE SPECIFIED:	CUSTOMER DRAWING		REV A1	
0 PLC ±				
1 PLC ±0.3				
2 PLC ±0.2				
3 PLC ±0.05				
4 PLC ±				
ANGLES ±				
FINISH				

printed on 1 Aug 2022 11:15 (China Standard Time) from E326424

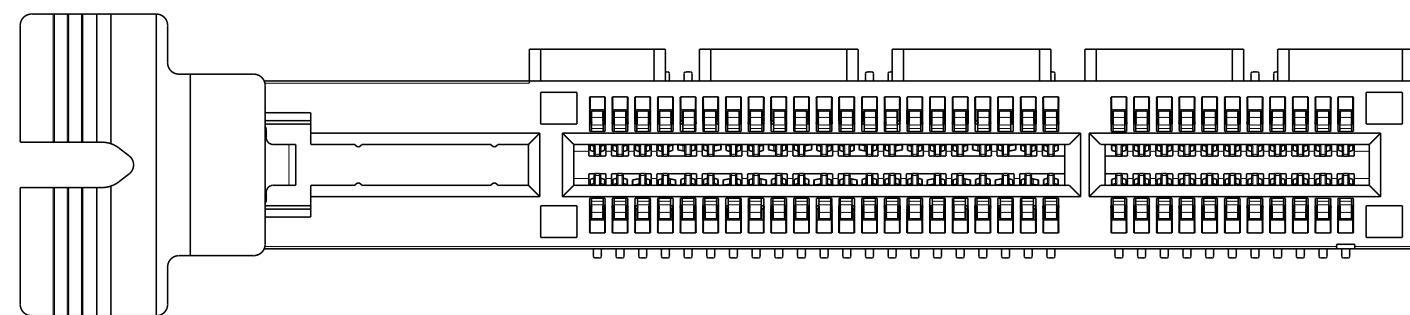
P	LTR	DESCRIPTION	DATE	DWN	APVD
-		SEE SHEET 1	-	-	-

FRONT VIEW



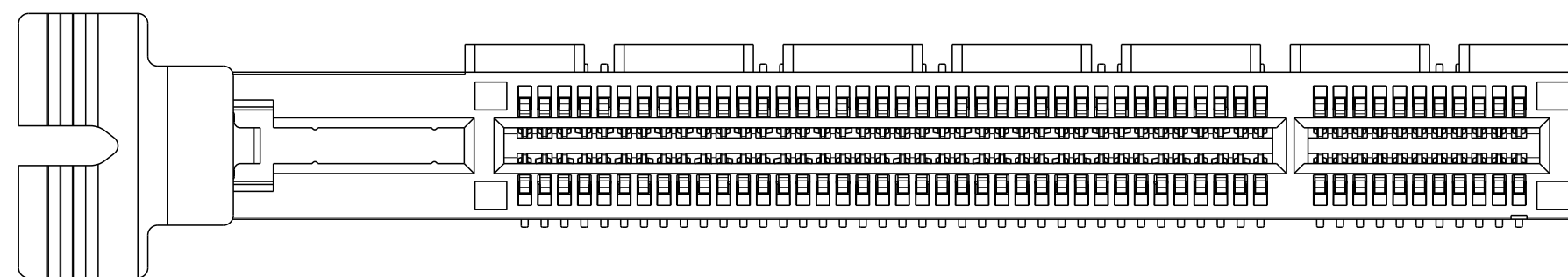
36POS AS SHOWN
SCALE 3:1

FRONT VIEW



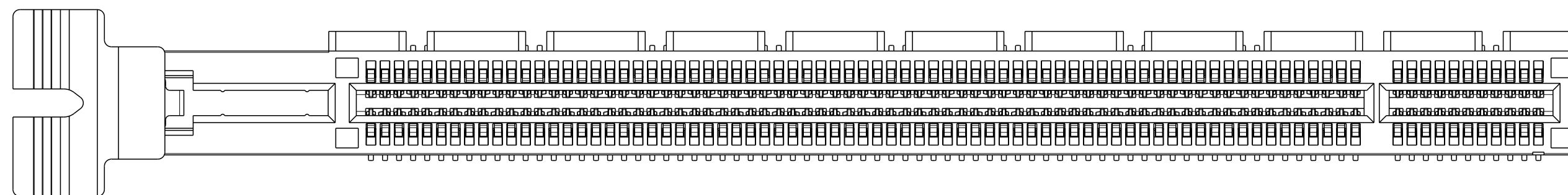
64POS AS SHOWN
SCALE 3:1

FRONT VIEW

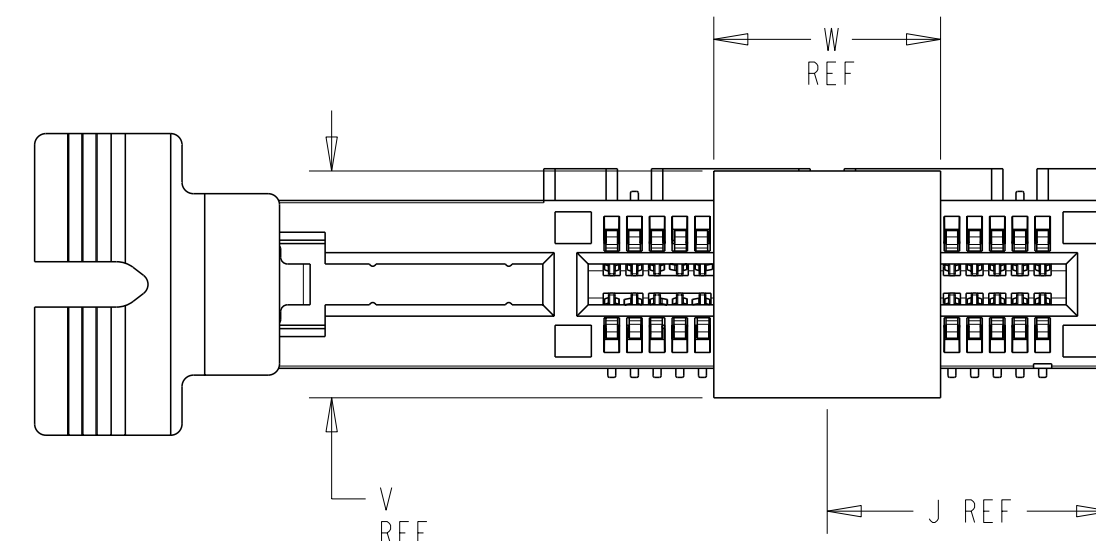


98POS AS SHOWN
SCALE 3:1

FRONT VIEW



164POS AS SHOWN
SCALE 3:1

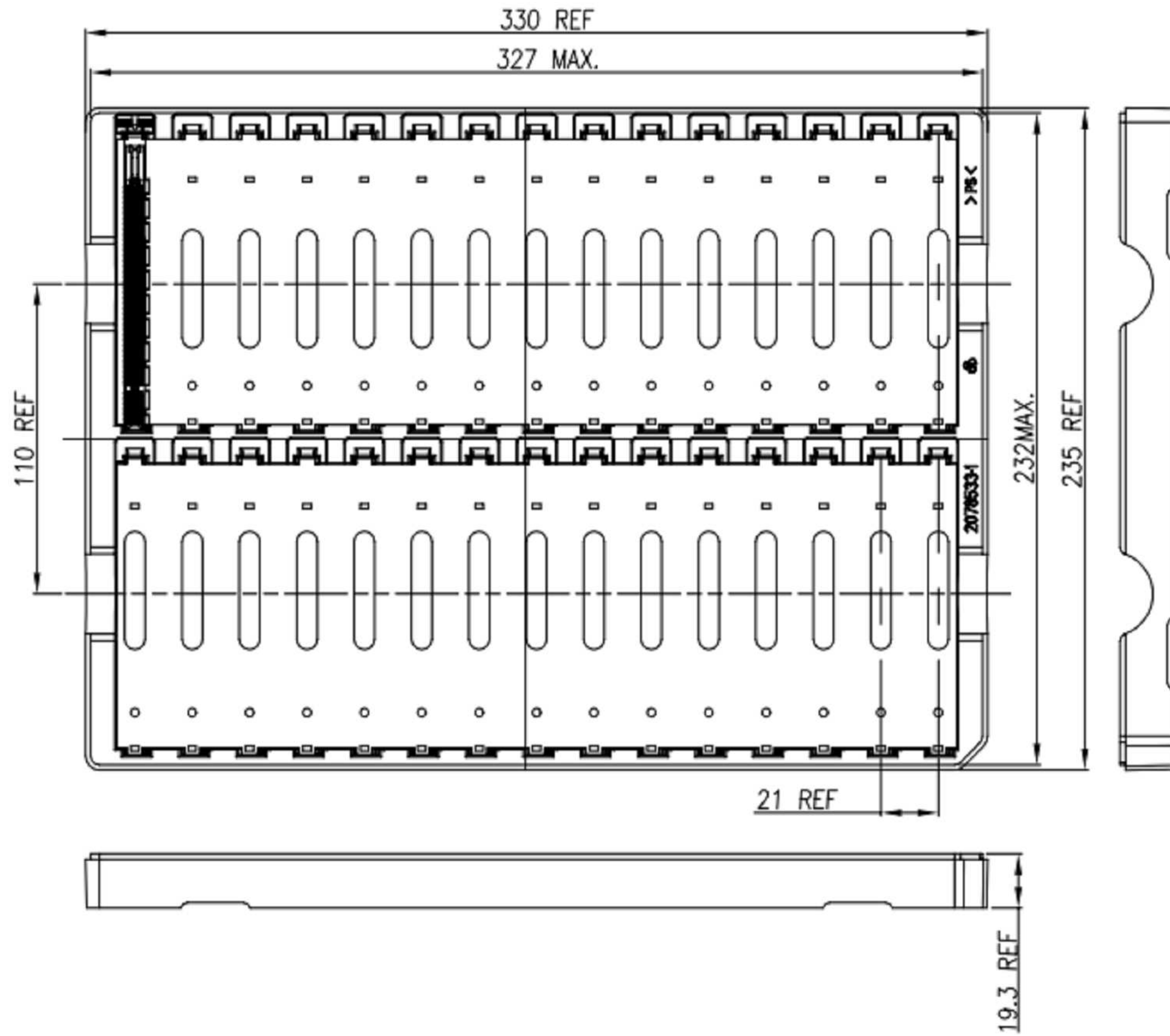


MYLAR SIZE
SCALE 3:1


THIS DRAWING IS A CONTROLLED DOCUMENT.		DWN SANDERS, YAN 22MAR2020																							
DIMENSIONS: mm		CHK MIKE, CHEN 22MAY2020																							
TOLERANCES UNLESS OTHERWISE SPECIFIED:		APVD HOPE, LU 22MAR2020	NAME PCI EXPRESS CARD EDGE CONNECTOR GEN5, SMT, WITH LATCH																						
<table border="0"> <tr> <td>0 PLC</td> <td>±</td> <td></td> </tr> <tr> <td>1 PLC</td> <td>±0.3</td> <td></td> </tr> <tr> <td>2 PLC</td> <td>±0.2</td> <td></td> </tr> <tr> <td>3 PLC</td> <td>±0.05</td> <td></td> </tr> <tr> <td>4 PLC</td> <td>±</td> <td></td> </tr> <tr> <td>ANGLES</td> <td>±</td> <td></td> </tr> <tr> <td>FINISH</td> <td>±</td> <td></td> </tr> </table>		0 PLC	±		1 PLC	±0.3		2 PLC	±0.2		3 PLC	±0.05		4 PLC	±		ANGLES	±		FINISH	±		PRODUCT SPEC 108-160247	SIZE A2	
0 PLC	±																								
1 PLC	±0.3																								
2 PLC	±0.2																								
3 PLC	±0.05																								
4 PLC	±																								
ANGLES	±																								
FINISH	±																								
MATERIAL		APPLICATION SPEC	CAGE CODE 00779	DRAWING NO C-2371438																					
		WEIGHT	RESTRICTED TO																						
		CUSTOMER DRAWING	SCALE 5:1	SHEET 4 OF 5																					
			REV A1																						

Printed on: 1 Aug 2022 11:15 (China Standard Time) from: TE326424

REVISIONS				
P	LTR	DESCRIPTION	DATE	APVD
-		SEE SHEET 1	-	-



HARD TRAY: FOR 164P
SCALE 1:2

THIS DRAWING IS A CONTROLLED DOCUMENT.		DWN SANDERS, YAN 22MAR2020	 TE Connectivity	
DIMENSIONS: mm		CHK MIKE, CHEN 22MAY2020		
TOLERANCES UNLESS OTHERWISE SPECIFIED:		APVD HOPE, LU 22MAR2020	NAME PCI EXPRESS CARD EDGE CONNECTOR GEN5, SMT, WITH LATCH	
0 PLC ± 1 PLC ±0.3 2 PLC ±0.2 3 PLC ±0.05 4 PLC ± ANGLES ± FINISH ±		PRODUCT SPEC 108-160247	SIZE A2	CAGE CODE 00779
MATERIAL		APPLICATION SPEC	DRAWING NO C-2371438	RESTRICTED TO
		WEIGHT	SCALE 5:1 SHEET 5 OF 5 REV A1	
		CUSTOMER DRAWING		

Printed on: 1 Aug 2022 11:15 (China Standard Time) from: E326424