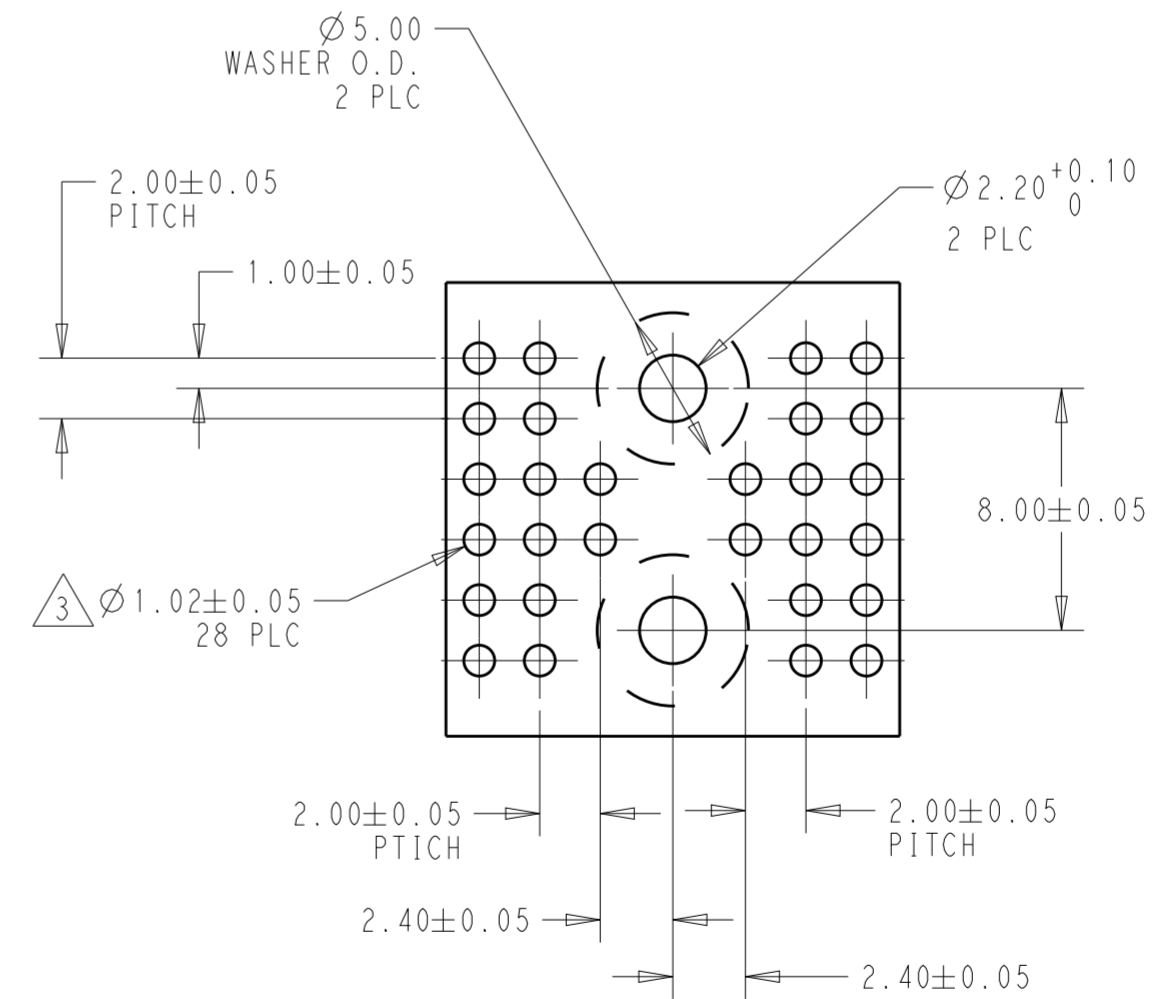
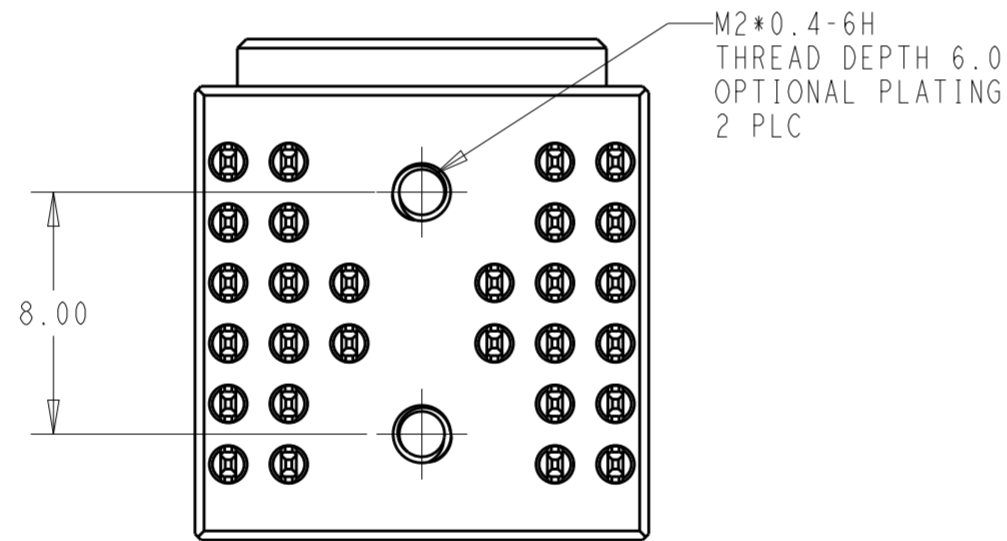
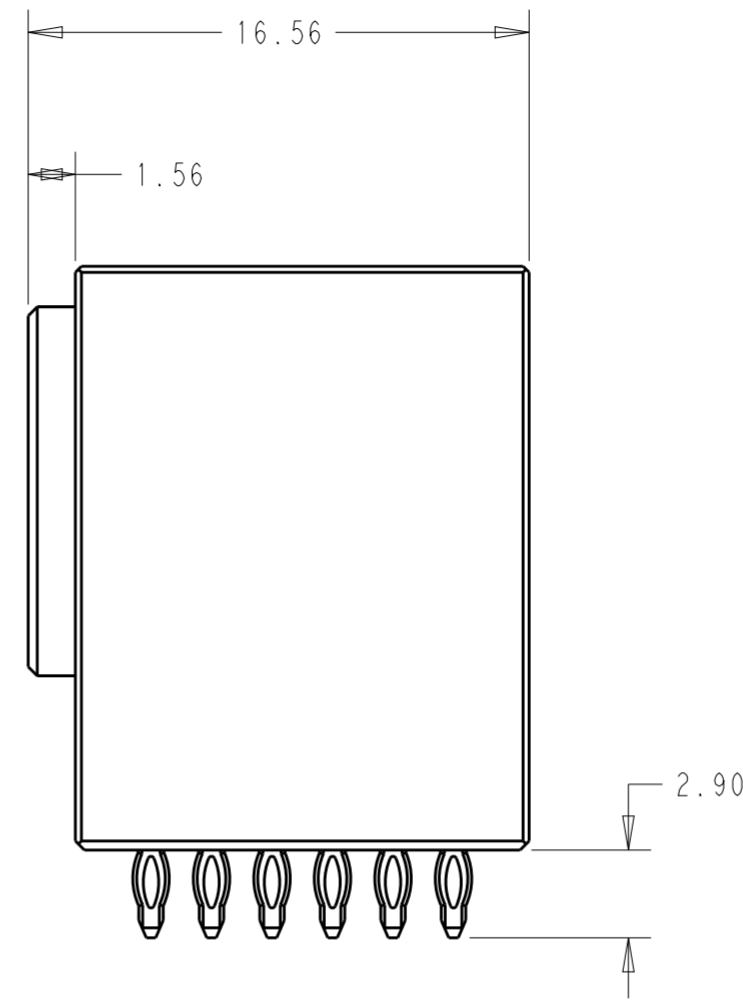
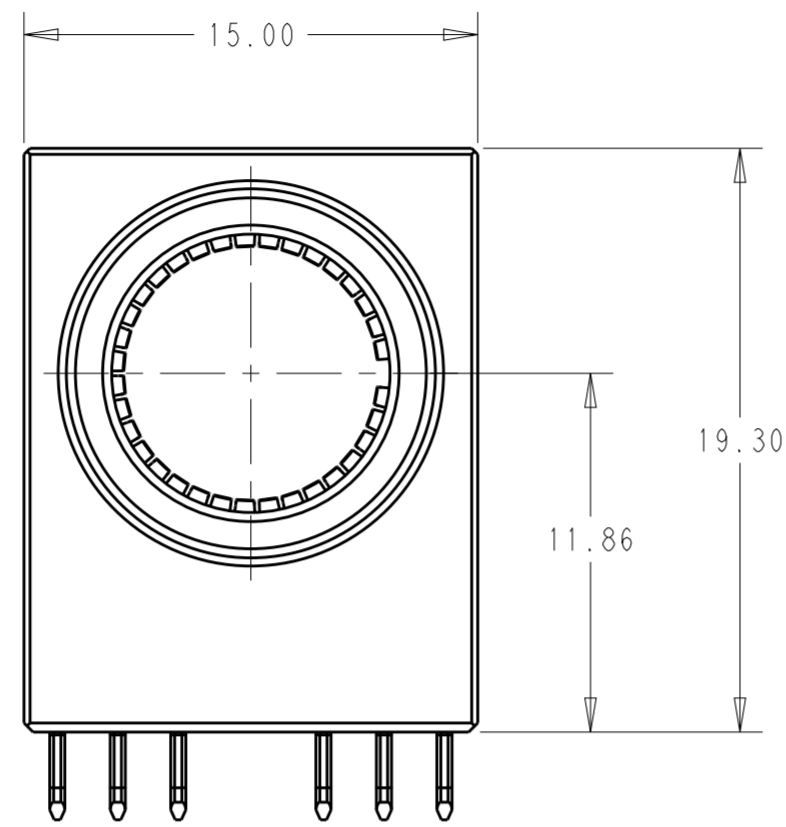


P	LTR	DESCRIPTION	DATE	DWN	APVD
	A	RELEASE	13OCT2020	AL	SZ



NOTES:

- MATERIAL: COPPER ALLOY FOR ROUND SOCKET, SQUARE BODY, AND COMPLIANT PINS.
- FINISH:
 ROUND SOCKET: SILVER OVER NICKEL PLATING
 SQUARE BODY: NICKEL PLATED
 COMPLIANT PINS: TIN PLATED
- RECOMMENDED PCB HOLE SPEC:
 DRILLED HOLE: $\varnothing 1.15 \pm 0.025$ mm
 FINISHED HOLE: $\varnothing 1.02 \pm 0.05$ mm
 COPPER PLATING: 0.03mm MIN PER SURFACE
 TIN PLATING: 0.008mm MIN PER SURFACE
- ELECTRICAL PERFORMANCE: 250A CURRENT
- INSTALLATION: 3360N MAX TO PRESS ASSEMBLY ONTO BOARD
- RECOMMENDED TORQUE FOR M2 SCREW: 0.17N.m

2371618-1 PART NUMBER

THIS DRAWING IS A CONTROLLED DOCUMENT.		DWN ANDY LI 26MAR2020	TE Connectivity											
DIMENSIONS: mm		CHK -												
TOLERANCES UNLESS OTHERWISE SPECIFIED:		APVD SUNY ZHAO 26MAR2020	NAME PIN SIZE 9.1mm, SOCKET PRESS FIT, ICCON BLOCK											
<table border="1"> <tr> <td>0 PLC</td> <td>±</td> </tr> <tr> <td>1 PLC</td> <td>±0.3</td> </tr> <tr> <td>2 PLC</td> <td>±0.2</td> </tr> <tr> <td>3 PLC</td> <td>±0.1</td> </tr> <tr> <td>4 PLC</td> <td>±0.0001</td> </tr> </table>		0 PLC	±	1 PLC	±0.3	2 PLC	±0.2	3 PLC	±0.1	4 PLC	±0.0001	PRODUCT SPEC 108-128111	SIZE A2	
0 PLC	±													
1 PLC	±0.3													
2 PLC	±0.2													
3 PLC	±0.1													
4 PLC	±0.0001													
MATERIAL -		FINISH -	APPLICATION SPEC 114-128112	CAGE CODE 00779										
			DRAWING NO C-2371618	RESTRICTED TO -										
			WEIGHT -	SCALE 4:1										
			CUSTOMER DRAWING	SHEET 1 OF 1										
				REV A										