

THIS DRAWING IS UNPUBLISHED.

RELEASED FOR PUBLICATION

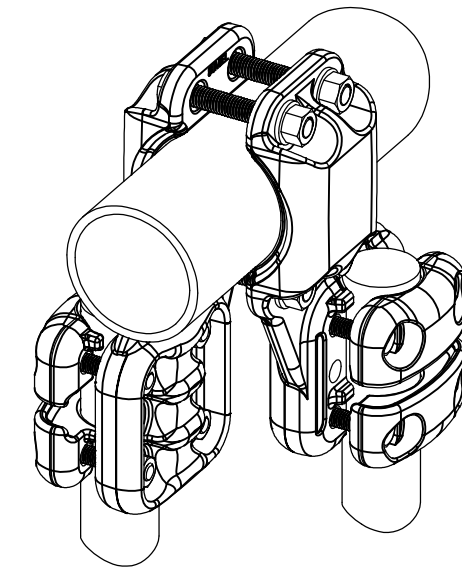
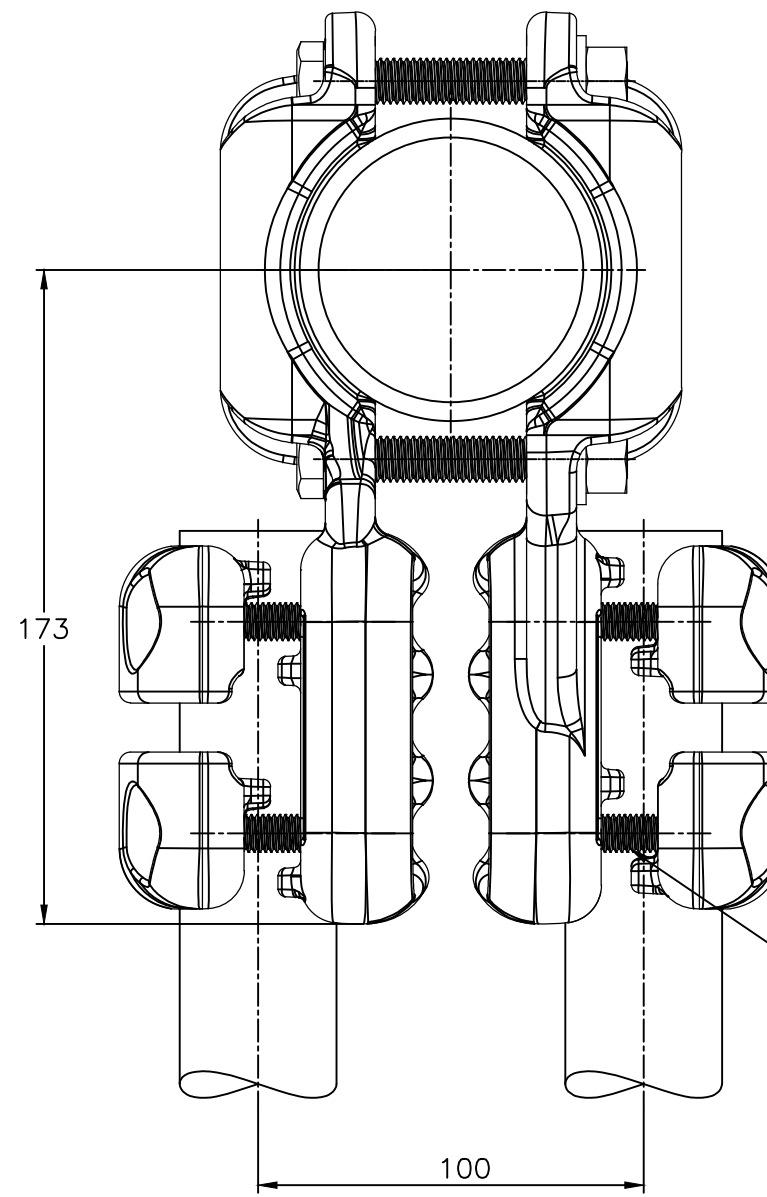
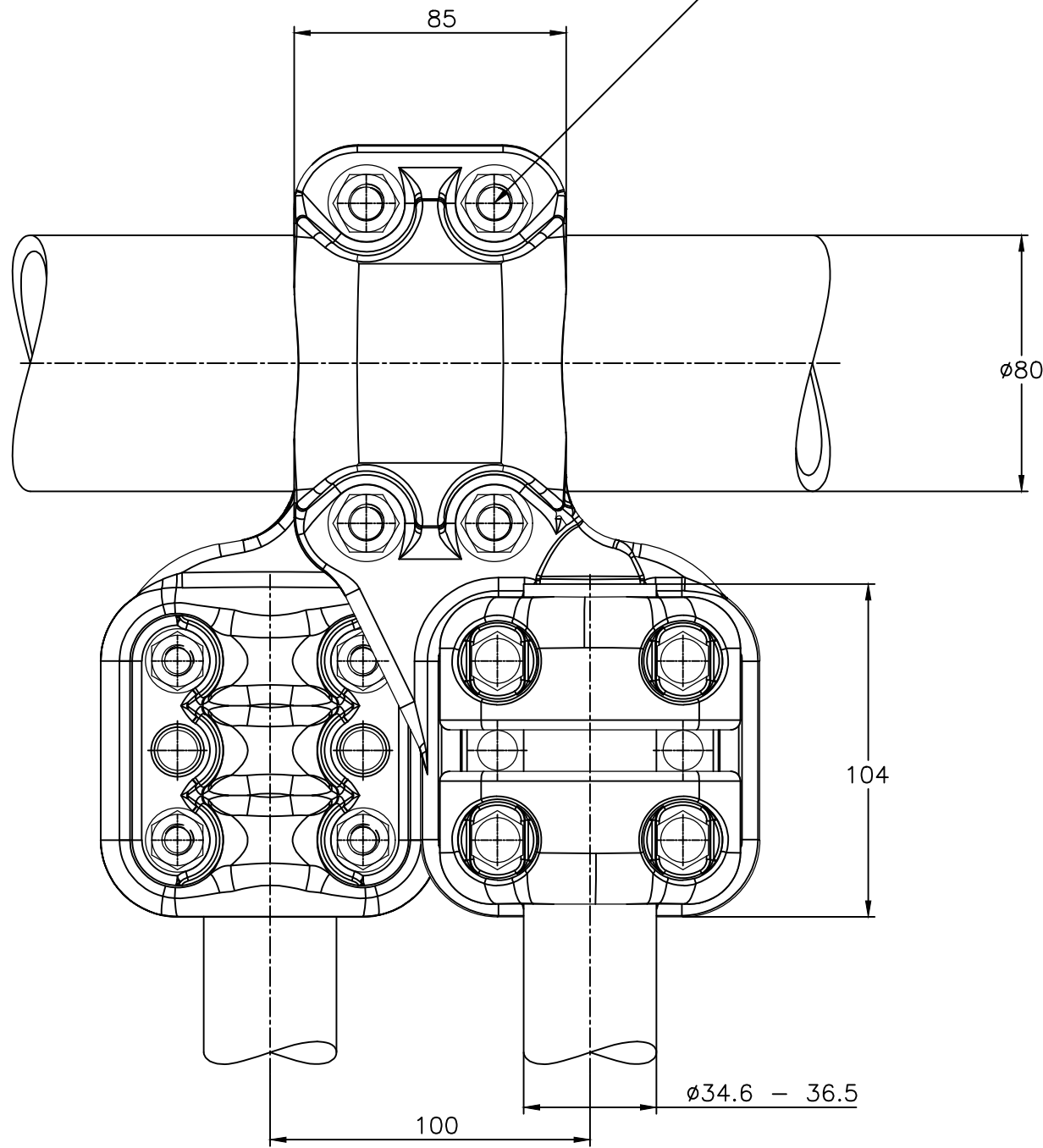
ALL RIGHTS RESERVED.

© COPYRIGHT - By -

REVISIONS

P	LTR	DESCRIPTION	DATE	DWN	APVD
A		CREATION	02-APR-20	BH	-


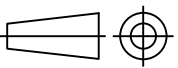
M12 Bolts stainless steel A2: 60Nm  
 Boulons M12 acier inoxydable A2: 60Nm



No scale  
 Sans échelle

M10 Bolts stainless steel A2: 37Nm  
 Boulons M10 acier inoxydable A2: 37Nm

ITEM:.....

THIS DRAWING IS A CONTROLLED DOCUMENT.		DWN	02-APR-20		 <b>TE Connectivity</b>
		CHK	-		
		APVD	-		
		PRODUCT SPEC	-		
DIMENSIONS:	TOLERANCES UNLESS OTHERWISE SPECIFIED:	108-69096-001		NAME	
mm		APPLICATION SPEC		TEE CONNECTOR FOR TUBE TO TWIN CONDUCTORS	
	0 PLC ± -	-		RACCORD EN TE POUR TUBE VERS FAISCEAU DOUBLE	
	1 PLC ± -	-		5 MT 82 A T80 M365 E100	
	2 PLC ± -	-		SIZE	CAGE CODE
	3 PLC ± -	-		DRAWING NO	
	4 PLC ± -	-		RESTRICTED TO	
	ANGLES ± -	-		-	
MATERIAL	FINISH	APPROX.WEIGHT	3.6 kg		A3
-	-	CUSTOMER DRAWING		00779	C=2371835
		SCALE	1:2		SHEET
				1 OF 1	
				REV	A