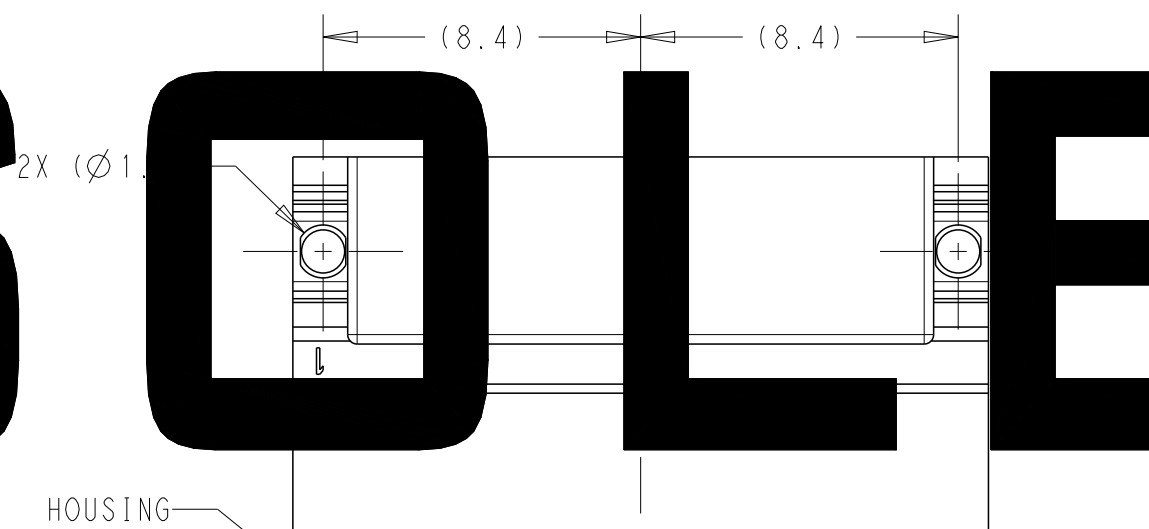
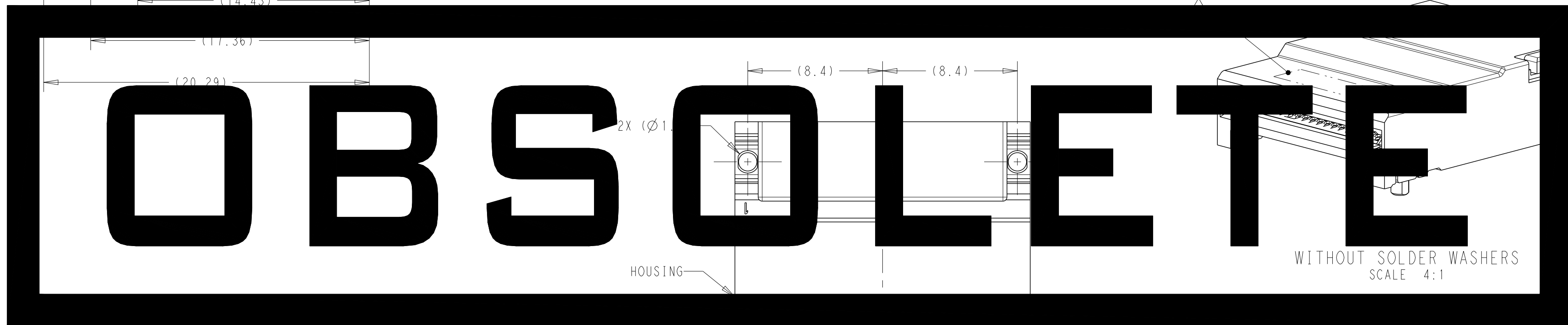
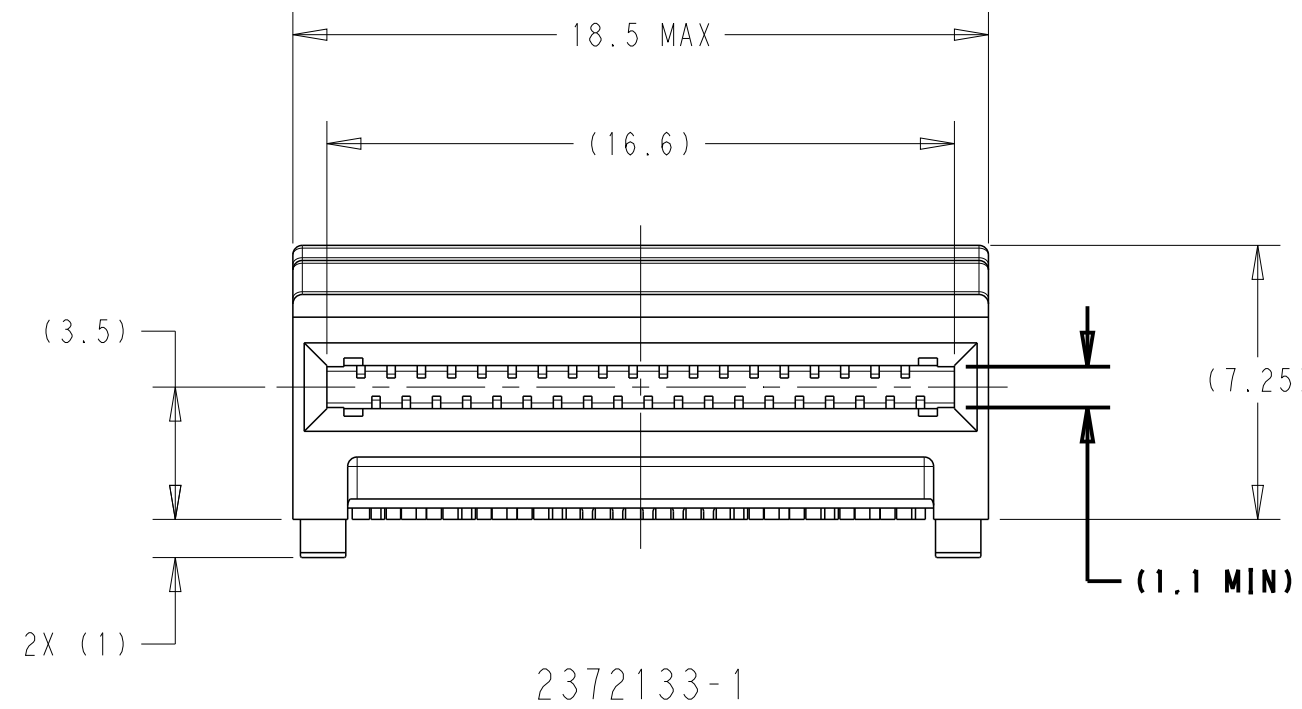
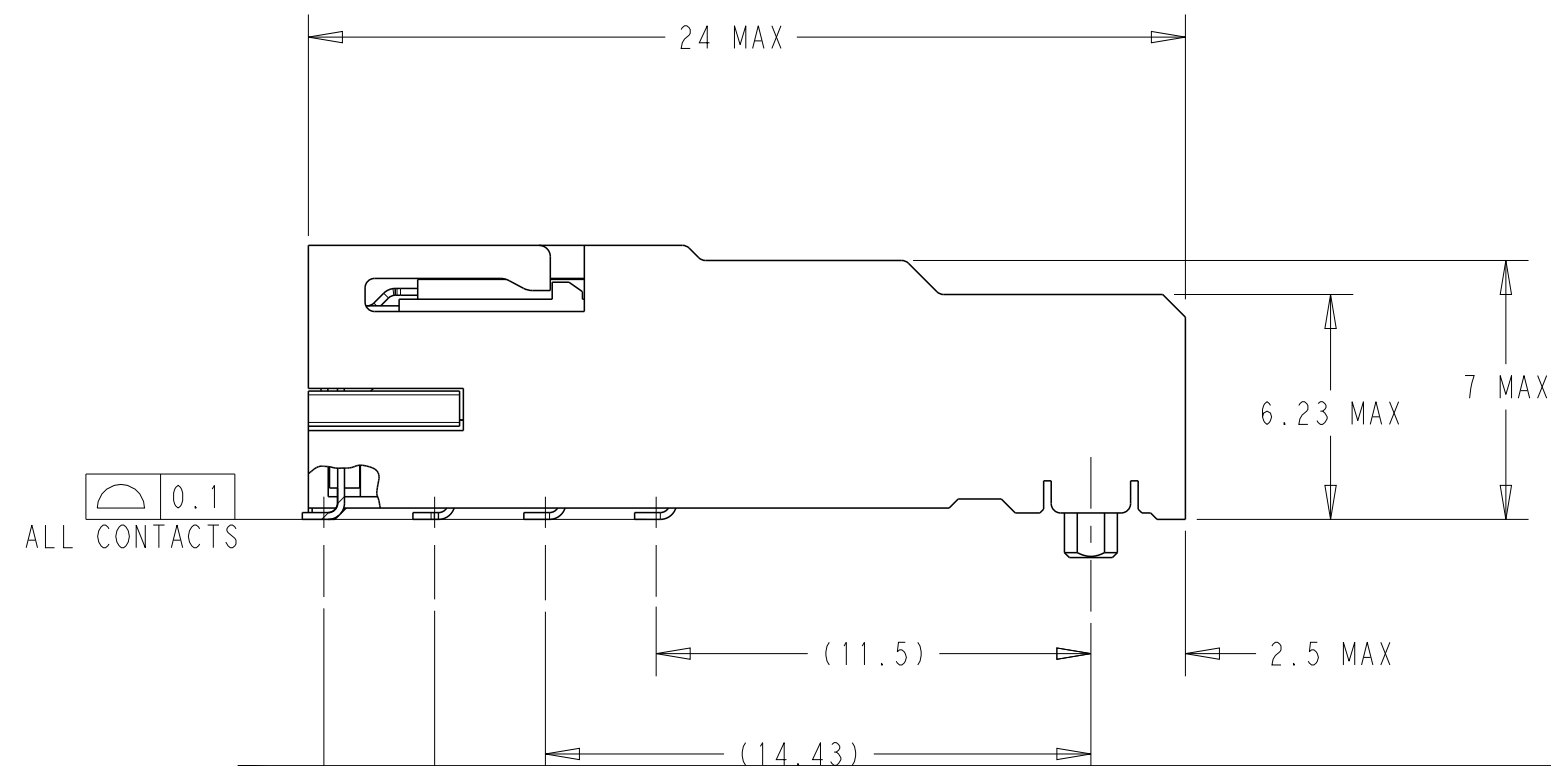
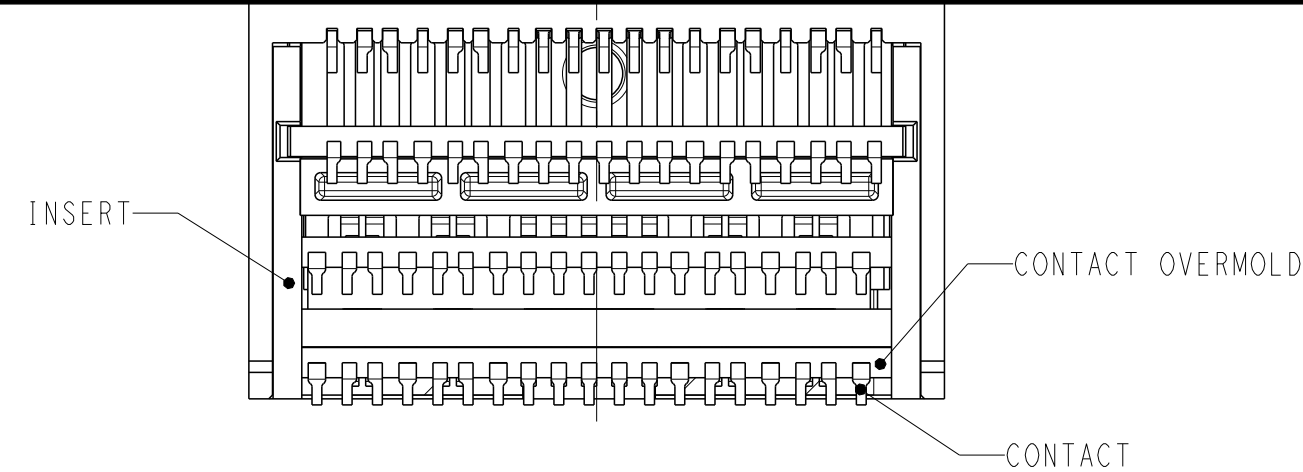


P	LTR	DESCRIPTION	DATE	DWN	APVD
A		REVISED PER ECN-22-144579	21MAR2022	AP	JW
A1		UPDATE AND ADD COPLANARITY	17APR2023	JY	SZ
A2		OBSOLETE PER ECN-24-280758	21AUG2024	JY	SZ



WITHOUT SOLDER WASHERS
SCALE 4:1



- 1 HOUSING, INSERT AND CONTACT OVERMOLDS: LCP, BLACK.
CONTACTS: COPPER ALLOY.
SOLDER WASHERS: NICKEL SILVER.
- 2 CONTACTS: 0.76µm GOLD ON MATING INTERFACE.
TIN PLATED ON PCB TAILS.
- 3. MINIMUM PC BOARD THICKNESS:
SINGLE SIDED = 1.57 MIN
DOUBLE SIDED = 2.2 MIN
- 4 DATUM AND BASIC DIMENSION ESTABLISHED BY CUSTOMER.
- 5 PART NUMBER AND DATE CODE MARKED IN APPROXIMATE AREA SHOWN.

SUPERSEDED BY:
2474708-1/2

REMARKS	DESCRIPTION	PART NUMBER
SEE SHEET 2	WITH SOLDER WASHERS	2372133-2
AS SHOWN	WITHOUT SOLDER WASHERS	2372133-1

THIS DRAWING IS A CONTROLLED DOCUMENT.

DIMENSIONS: mm	TOLERANCES UNLESS OTHERWISE SPECIFIED: 0 PLC ±0.1 1 PLC ±0.1 2 PLC ±0.1 3 PLC ± 4 PLC ± ANGLES ± FINISH	DWN M. SHIRK 07OCT2020 CHK M. PHILLIPS 07OCT2020 APVD M. PHILLIPS 07OCT2020 PRODUCT SPEC 108-130016 APPLICATION SPEC 114-130007 WEIGHT -	TE Connectivity NAME RECEPTACLE ASSEMBLY, 76 POSITION, QSFP DD 112 SIZE A2 CAGE CODE 00779 DRAWING NO C-2372133 RESTRICTED TO - SCALE 5:1 SHEET 1 OF 3 REV A2
-------------------	--	---	--

CUSTOMER DRAWING

4

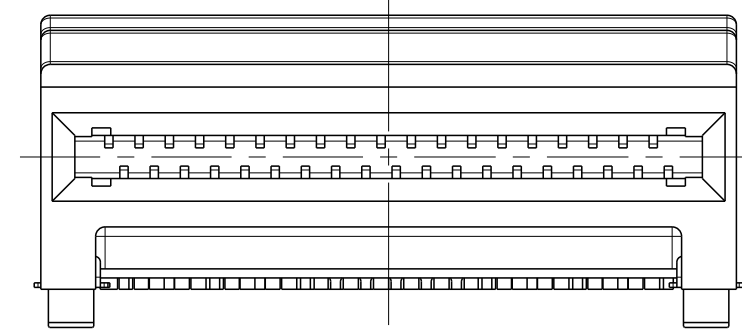
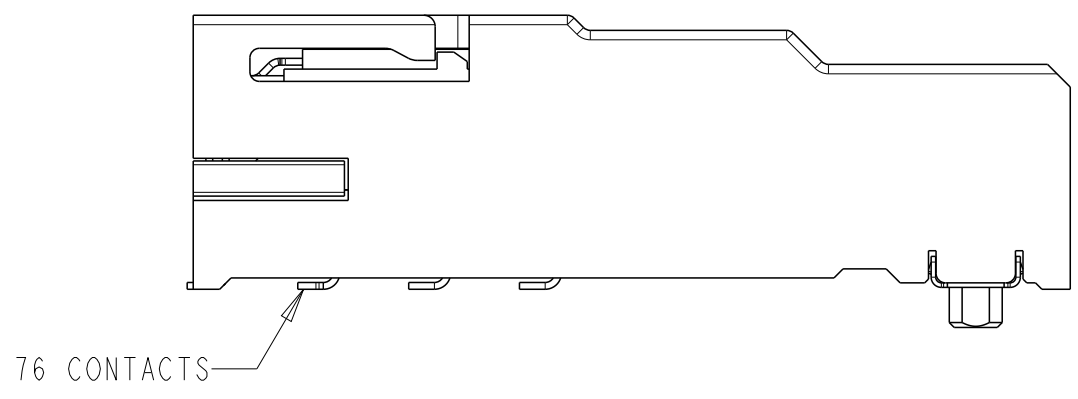
3

2

1

© 2019 TE Connectivity. All Rights Reserved.

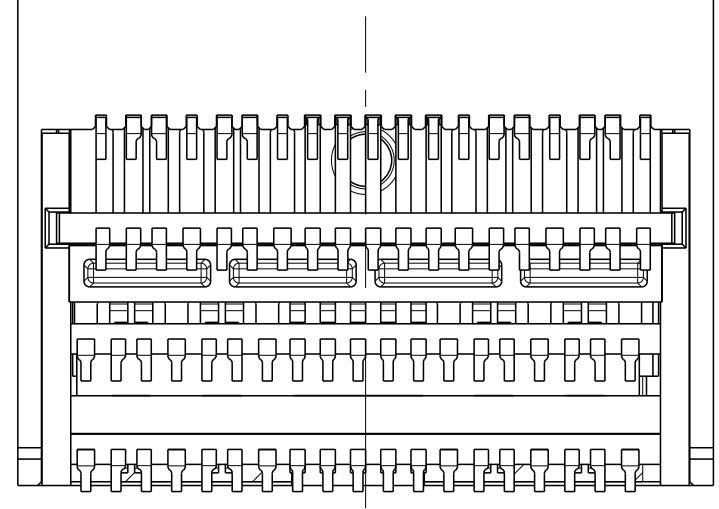
REVISIONS				
P	LTR	DESCRIPTION	DATE	APVD
-		SEE SHEET 1	-	-



2372133-2

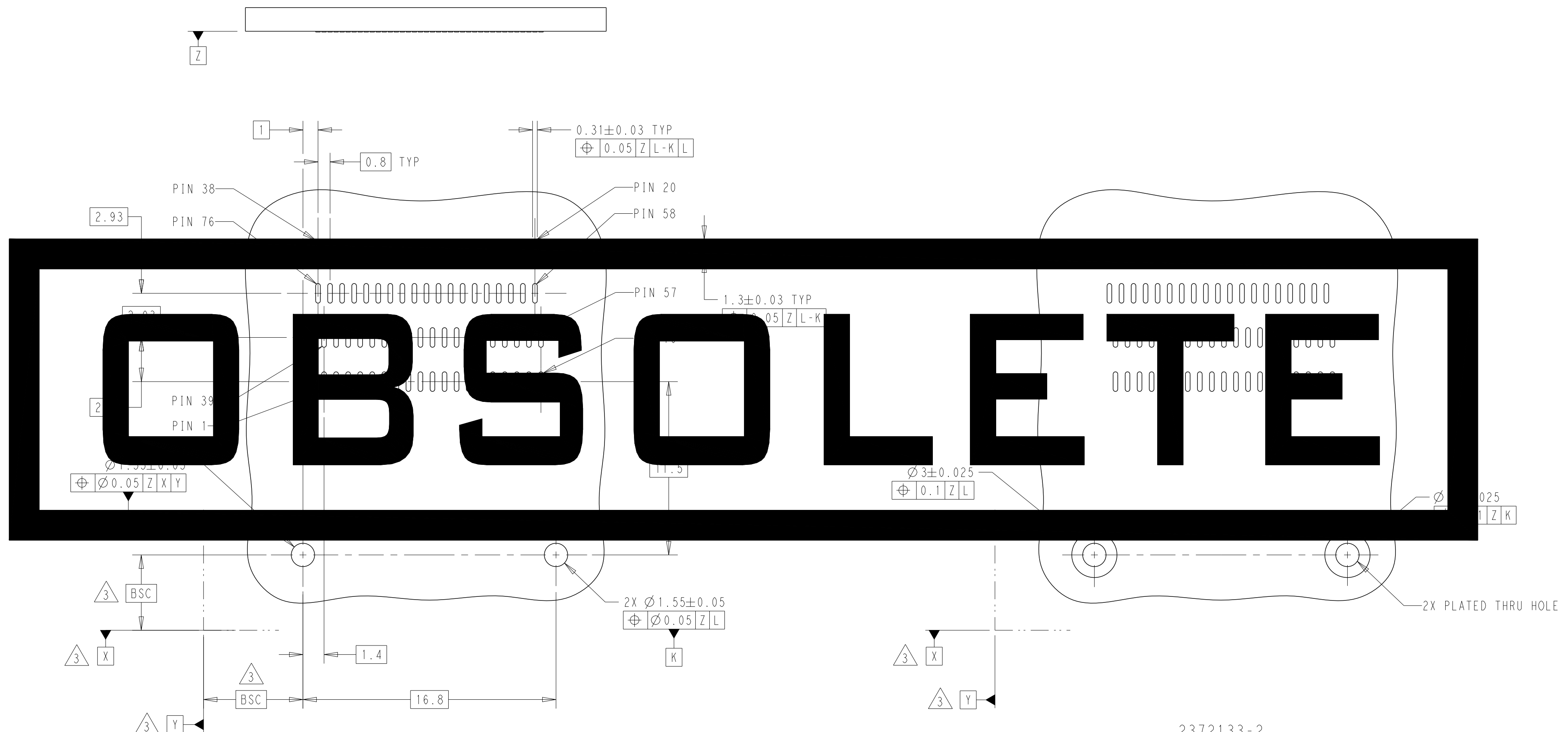
OBSOLETE

2372133-2
SCALE 4:1




THIS DRAWING IS A CONTROLLED DOCUMENT.		DWN M. SHIRK 07OCT2020	STE TE Connectivity	
DIMENSIONS: mm		CHK M. PHILLIPS 07OCT2020		
TOLERANCES UNLESS OTHERWISE SPECIFIED:		APVD M. PHILLIPS 07OCT2020	NAME RECEPTACLE ASSEMBLY, 76 POSITION, QSFP DD 112	
0 PLC ±0.1		PRODUCT SPEC 108-130016	SIZE A2	
1 PLC ±0.1		APPLICATION SPEC 114-130007	CAGE CODE 00779	DRAWING NO C-2372133
2 PLC ±0.1		WEIGHT -	RESTRICTED TO -	
3 PLC ±		CUSTOMER DRAWING	SCALE 5:1	SHEET 2 OF 3
4 PLC ±				REV A2
ANGLES ±				
FINISH				

P	LTR	DESCRIPTION	DATE	DWN	APVD
-	-	SEE SHEET 1	-	-	-



2372133-1
RECOMMENDED PCB LAYOUT

2372133-2
RECOMMENDED PCB LAYOUT
SAME AS 2372133-1 EXCEPT AS NOTED

THIS DRAWING IS A CONTROLLED DOCUMENT.		DWN M. SHIRK 07OCT2020	 TE Connectivity	
DIMENSIONS: mm		CHK M. PHILLIPS 07OCT2020		
TOLERANCES UNLESS OTHERWISE SPECIFIED:		APVD M. PHILLIPS 07OCT2020	NAME RECEPTACLE ASSEMBLY, 76 POSITION, QSFP DD 112	
0 PLC ±0.1 1 PLC ±0.1 2 PLC ±0.1 3 PLC ± 4 PLC ± ANGLES ± FINISH ±		PRODUCT SPEC 108-130016	RESTRICTED TO	
MATERIAL		APPLICATION SPEC 114-130007	SIZE A2	CAGE CODE 00779
		WEIGHT	DRAWING NO C-2372133	SCALE 5:1
		CUSTOMER DRAWING	SHEET 3 OF 3	REV A2