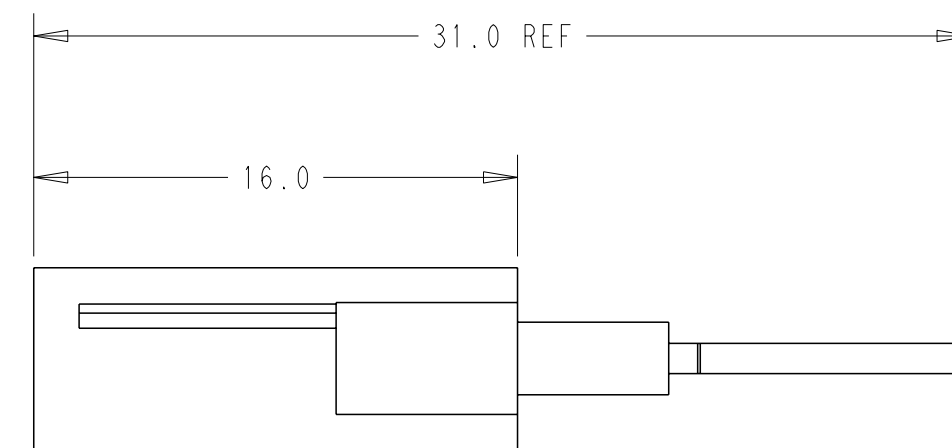
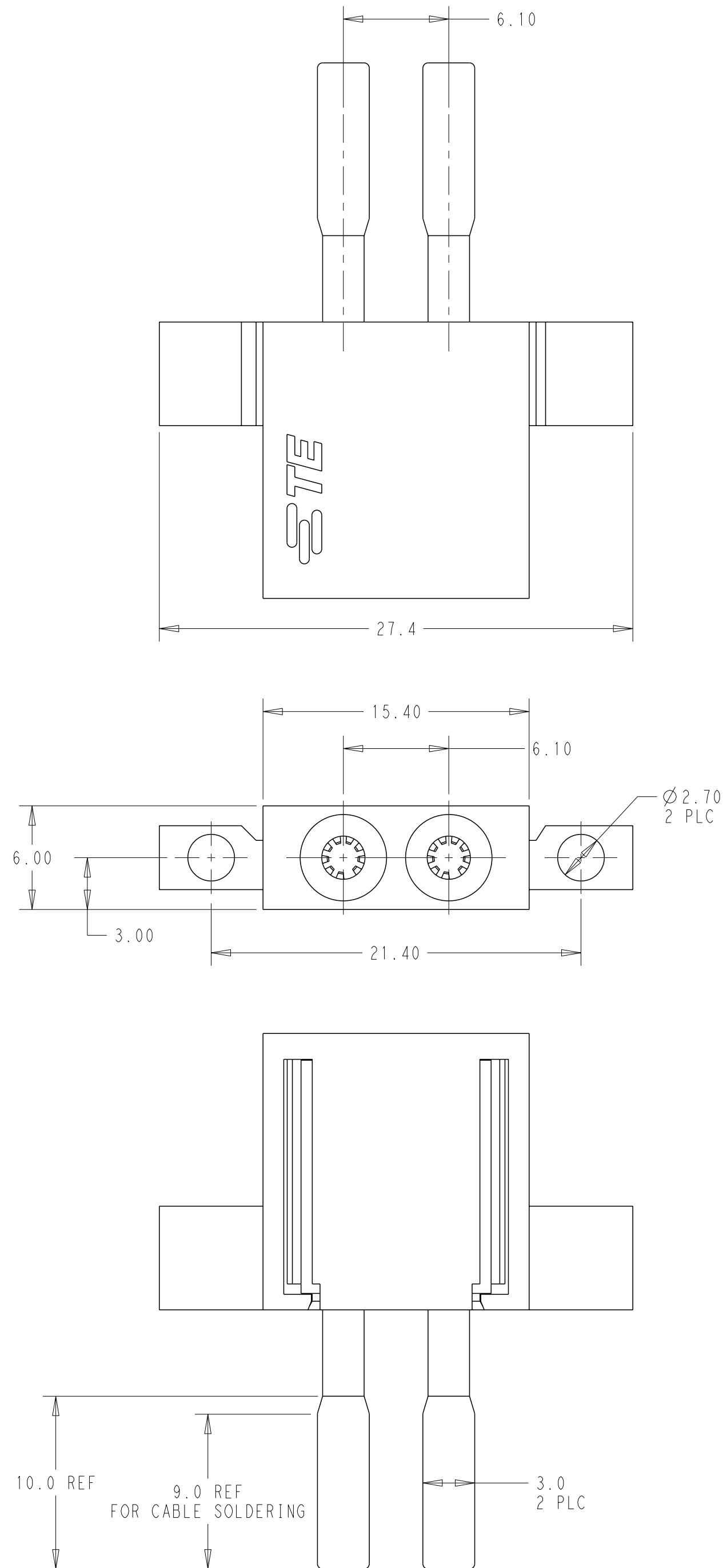



P	LTR	DESCRIPTION	DATE	DWN	APVD
3		UPDATE CORE-OUT PER TOOL	19MAY2020	AL	SZ
A		RELEASE TO A VERSION	18FEB2021	AL	SH

NOTES:

- 1 MATERIAL: THERMO-PLASTIC FOR OUTER HOUSING AND COPPER ALLOY FOR OTHER COMPONENTS.
- 2 FINISH: SILVER PLATE OVER NICKLE PLATE AT CONTACT AREA
- 3 MATE WITH 1-2367215-1



2372900-1 PART NUMBER

THIS DRAWING IS A CONTROLLED DOCUMENT.		DWN ANDY LI 22APR2020	 TE Connectivity		
DIMENSIONS: mm		CHK -			
TOLERANCES UNLESS OTHERWISE SPECIFIED:		APVD SUNY ZHAO 22APR2020	NAME PIN SIZE 2.4mm, SOCKET ICCON SLIM FOR CABLE		
0 PLC ±		PRODUCT SPEC 108-128111	SIZE -		
1 PLC ±0.3		APPLICATION SPEC 114-128112	CAGE CODE A200779	DRAWING NO C-2372900	RESTRICTED TO -
2 PLC ±0.2		WEIGHT -	SCALE 4:1 SHEET 1 OF 1 REV A		
3 PLC ±0.1		CUSTOMER DRAWING			
4 PLC ±					
ANGLES ±					
FINISH					