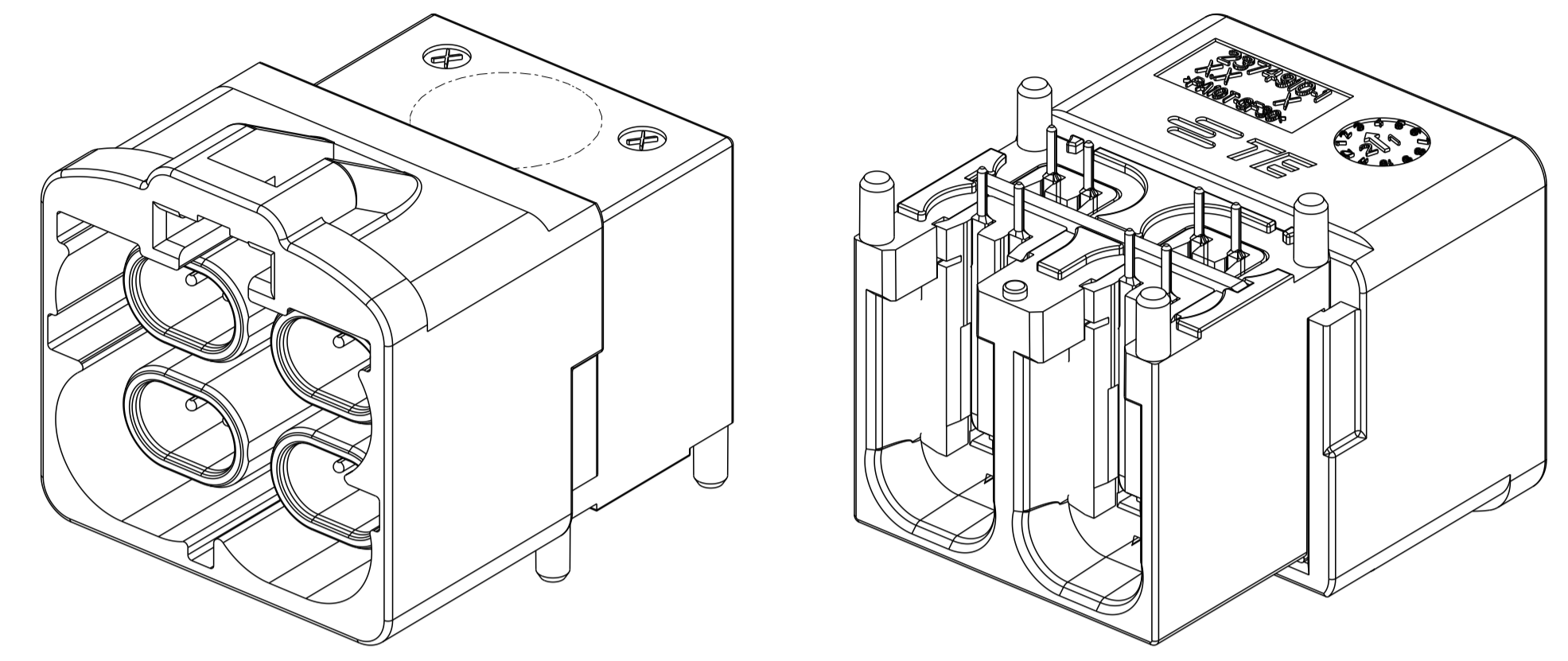
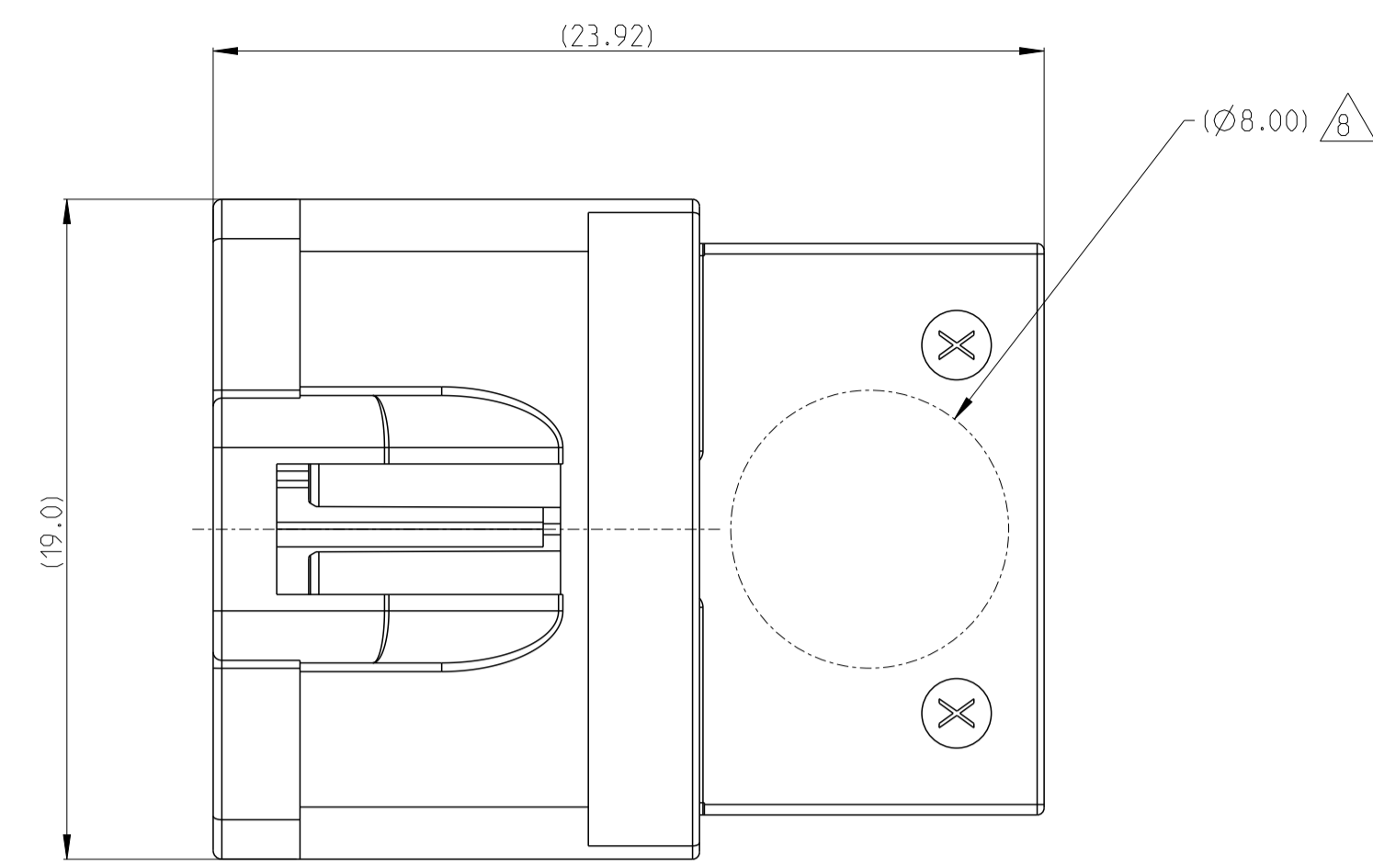
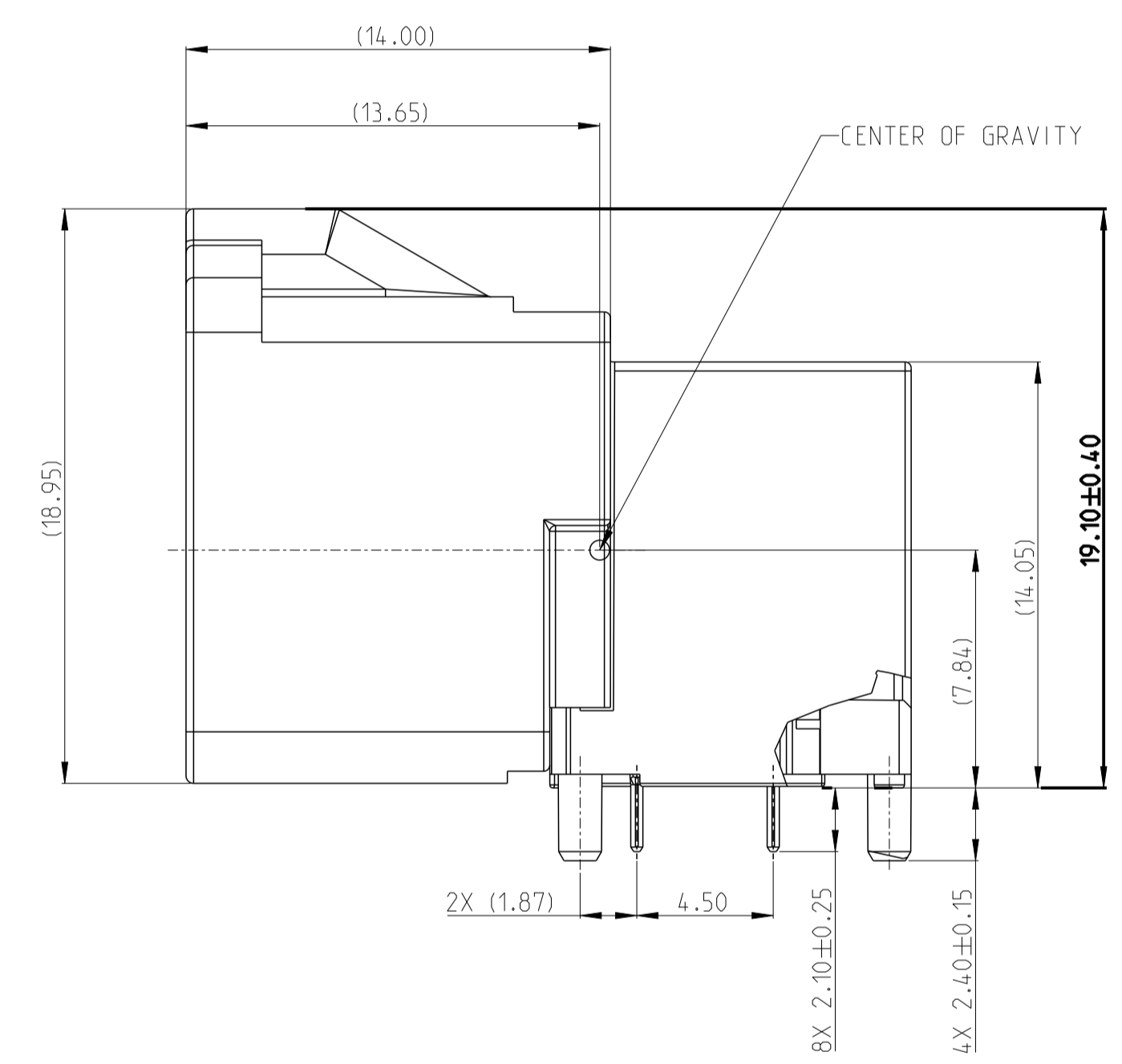
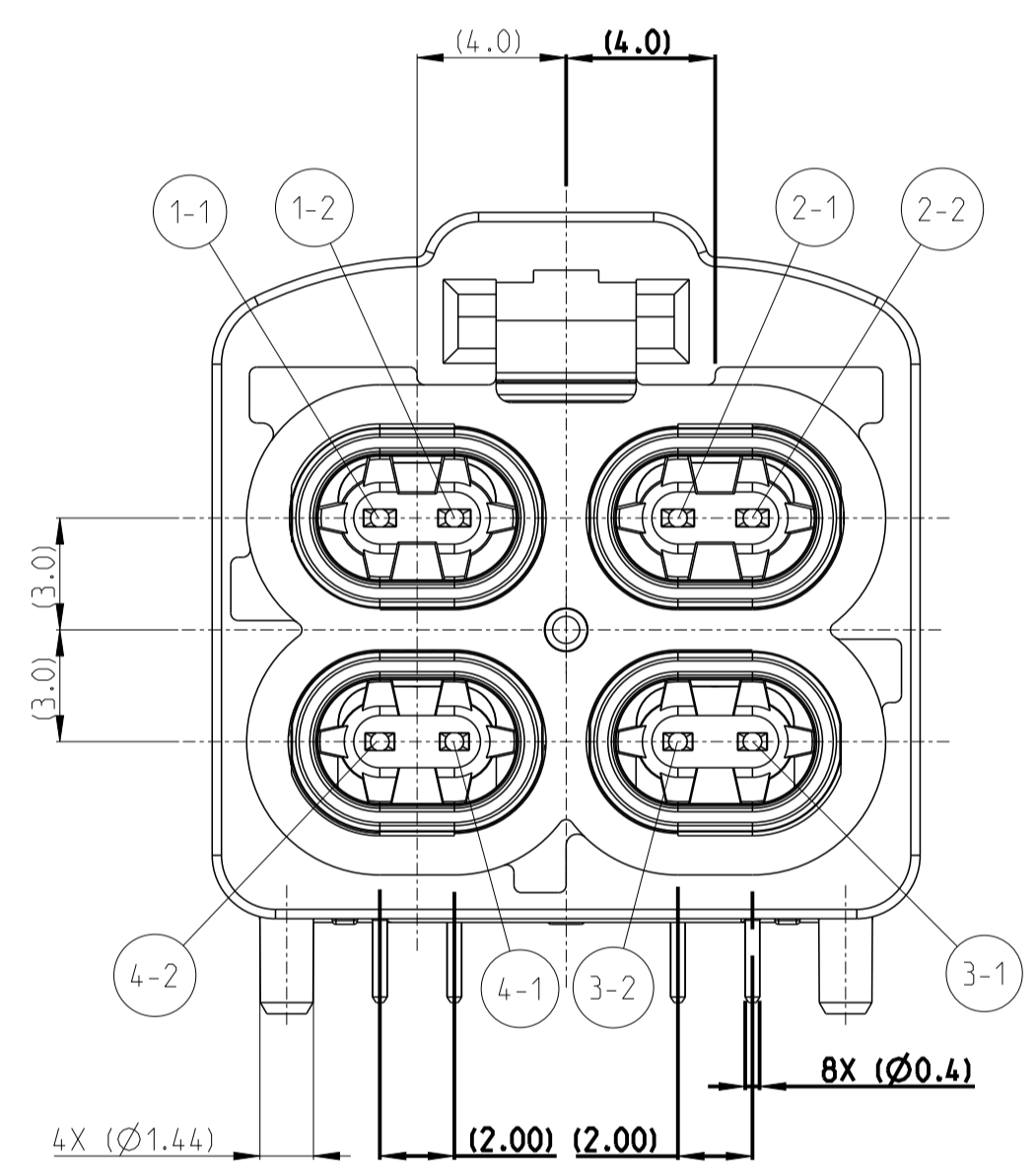


REVISIONS				
P	LTN	DESCRIPTION	DATE	OWN APVD
A6		REVISED PER ECN-23-212483	12MAY23	A.Z C.P
A7		REVISED PER ECN-23-213020	16MAY23	A.Z C.P
AB		REVISED PER ECN-23-222591	19JUL23	A.Z C.P



ISOMETRIC VIEW
SCALE 4:1



1. 2374900-1 AS SHOWN.

2 CONTACT: COPPER ALLOY
HOUSING: HIGH TEMP POLYAMIDE
DIELECTRIC: HIGH TEMP LCP
DIECAST: ZINC ALLOY.

3 PIN CONTACT - 0.38µm MIN GOLD ON INTERFACE END, 3.0µm MIN TIN ON SOLDER END, BOTH OVER 1.3µm MIN NICKEL.
OUTER SHELL - 3.0µm MIN TIN OVER 1.3µm MIN NICKEL.

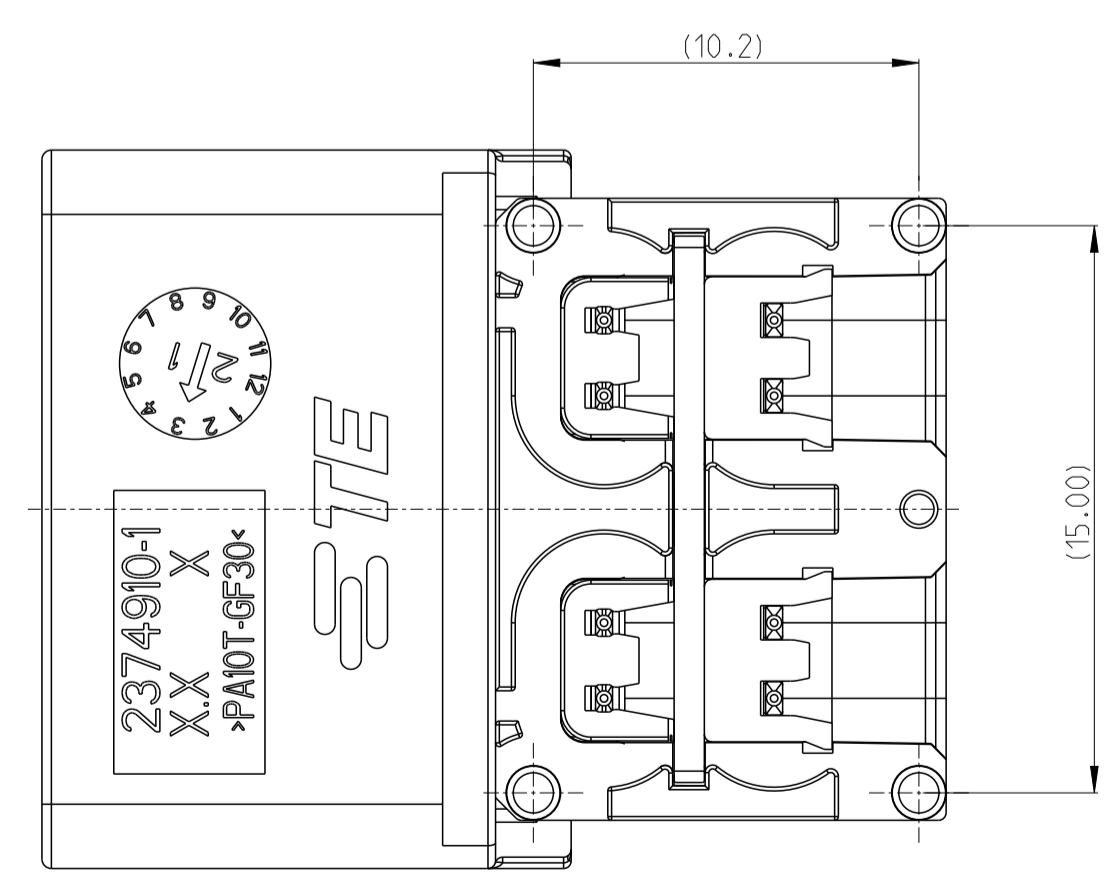
4 MASS = 14.26g.

5. INTERFACE DESIGNED AROUND 100 Ohm DIFFERENTIAL SIGNAL.

6 PCB EDGE SHOULD NOT EXCEED THE FRONT SURFACE OF CONNECTOR HOUSING.

7 DATUM AND DIMENSION ESTABLISHED BY CUSTOMER .

8 VACUUM ABSORPTION AREA.



FINISH	HOUSING COLOR	KEYING CODE	PART NUMBER
3	WATER BLUE	Z	1-2374900-4
3	LIGHT GREEN	O	1-2374900-3
3	PASTEL ORANGE	M	1-2374900-2
3	YELLOW-GREEN	L	1-2374900-1
3	CURRY	K	1-2374900-0
3	BEIGE	J	2374900-9
3	LIGHT PINK	H	2374900-8
3	PLATINUM GREY	G	2374900-7
3	NUT BROWN	F	2374900-6
3	MAY GREEN	E	2374900-5
3	CLARET VIOLET	D	2374900-4
3	LIGHT BLUE	C	2374900-3
3	PURE WHITE	B	2374900-2
3	JET BLACK	A	2374900-1

THIS DRAWING IS A CONTROLLED DOCUMENT.

OWN: A.ZHAO 19JUL2023
CHK: D.ZHU 19JUL2023
APPV: L.PAN 19JUL2023

TE Connectivity

NAME: GEMnet 4P 90DEG HEADER

SIZE: 108-160131
APPLICATION SPEC

116-160325
WEIGHT: 14.26g

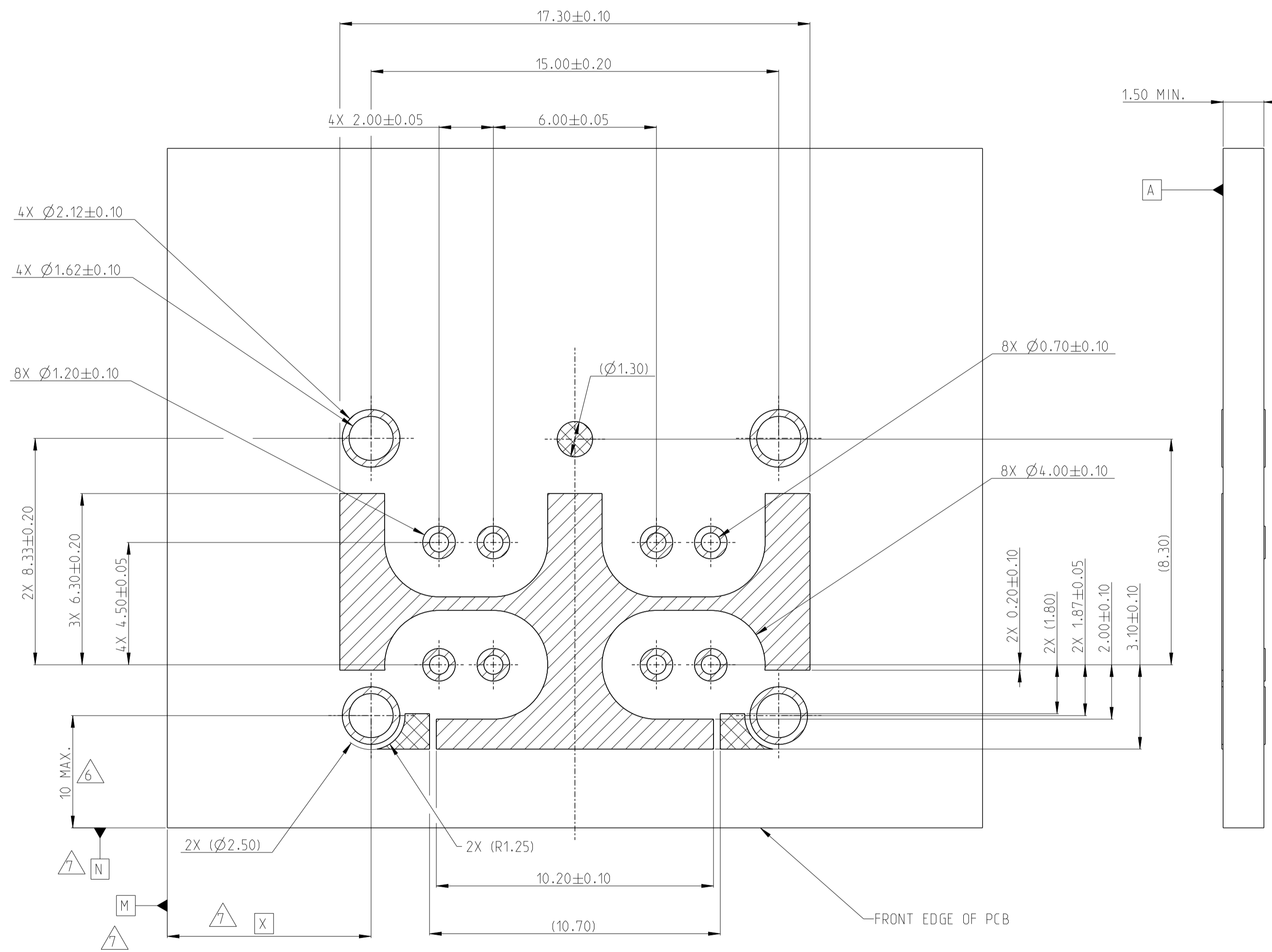
CUSTOMER DRAWING

SCALE: 5:1 SHEET 1 OF 3 REV: AB

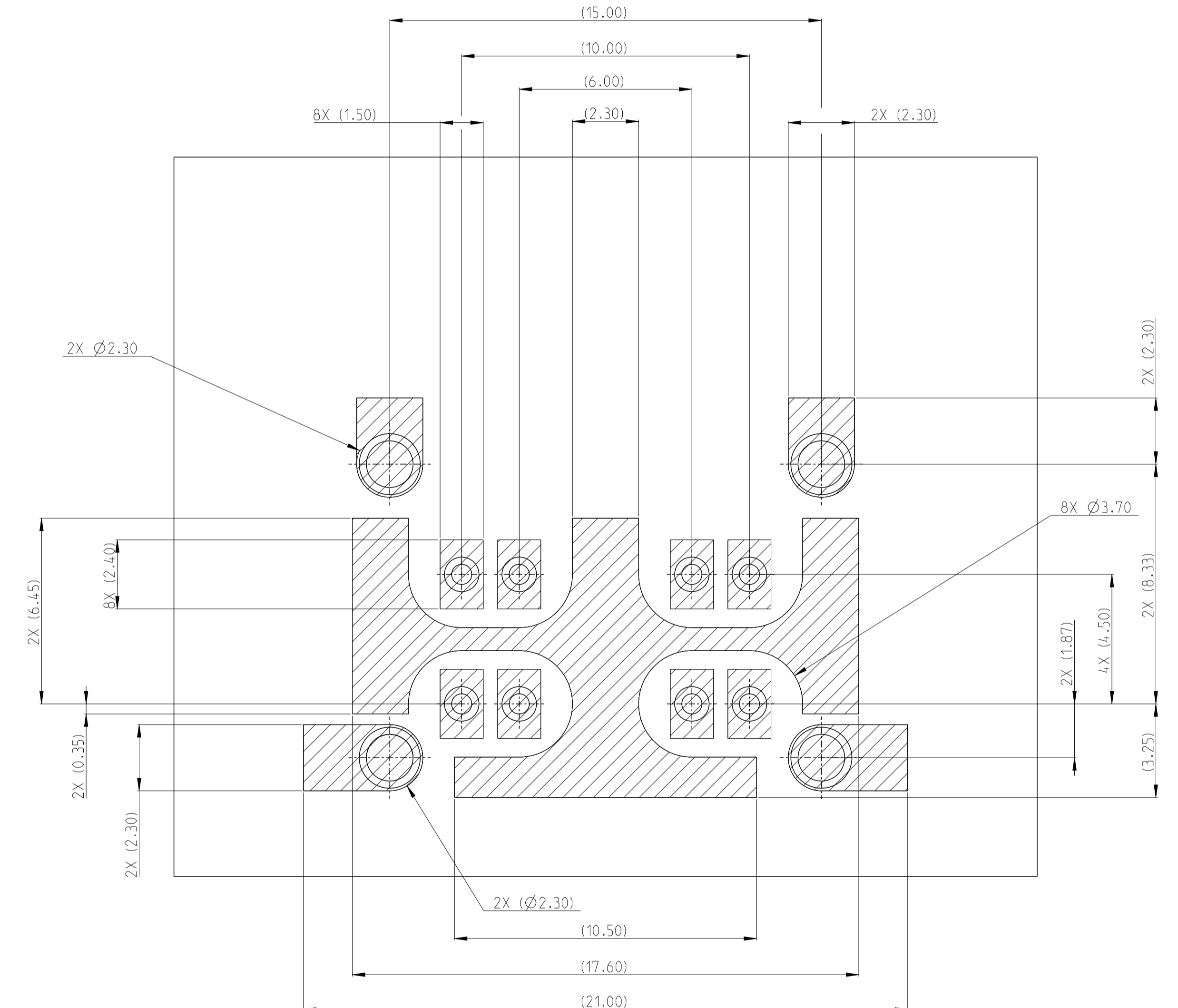
REVISIONS				
P	LTN	DESCRIPTION	DATE	APVD
-	-	SEE SHEET 1	-	-

 SOLDER AREA


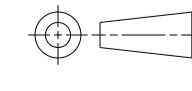
 KEEP OUT AREA, FREE OF SOLDER, NO ROUTING UNDERNEATH



RECOMMENDED PCB FOOTPRINT
SCALE 8:1

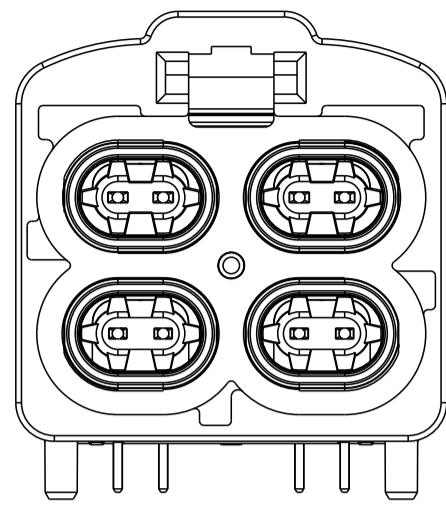


RECOMMENDED STENCIL APERTURES
SCALE 8:1

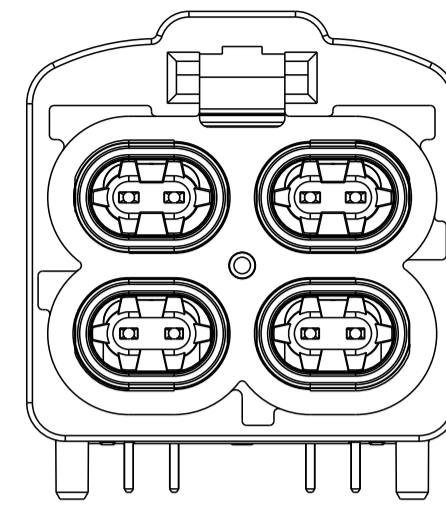
THIS DRAWING IS A CONTROLLED DOCUMENT.		OWN A.ZHAO 19 JUL 2023		
DIMENSIONS: mm		CHK D.ZHU 19 JUL 2023		
		TOLERANCES UNLESS OTHERWISE SPECIFIED: 0 PLC ±0.1 1 PLC ±0.05 2 PLC ±0.025 3 PLC ±0.01 4 PLC ±0.005 ANGLES ±0.001		NAME GEMnet 4P 90DEG HEADER PRODUCT SPEC 108-160131 APPLICATION SPEC 116-160325
MATERIAL	FINISH	WEIGHT	SCALE	RESTRICTED TO
SEE TABLE	SEE TABLE	4	5:1	-
CUSTOMER DRAWING		SIZE	SHEET	REV
		A 00779	2 OF 3	A8

KEYING CODE

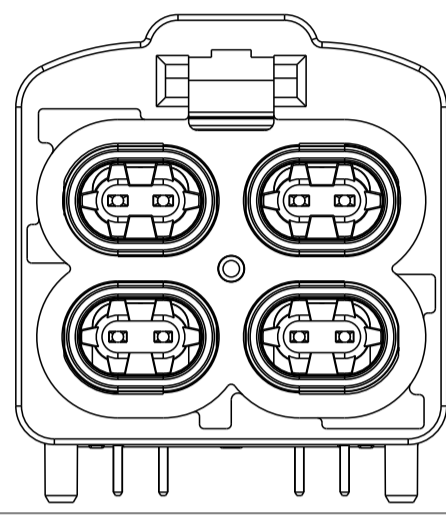
CODE A



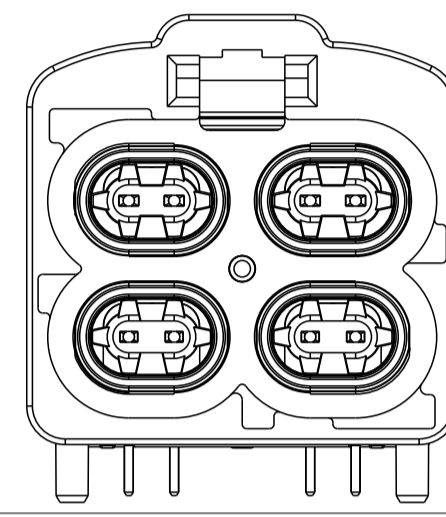
CODE G



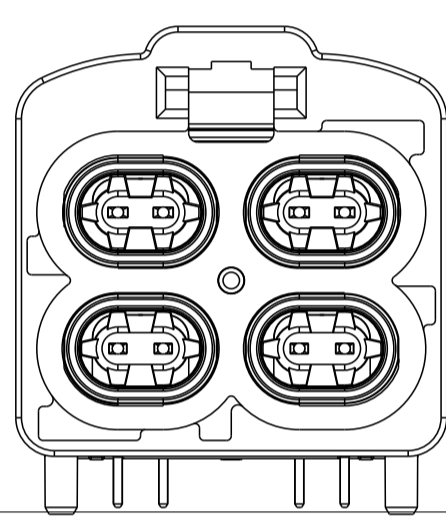
CODE B



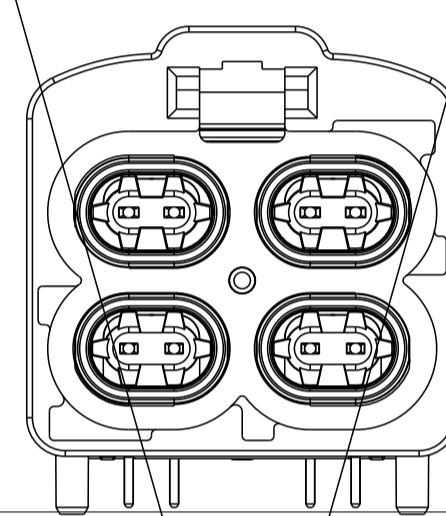
CODE H



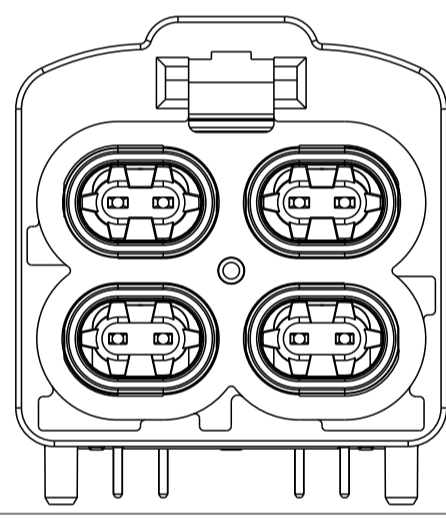
CODE C



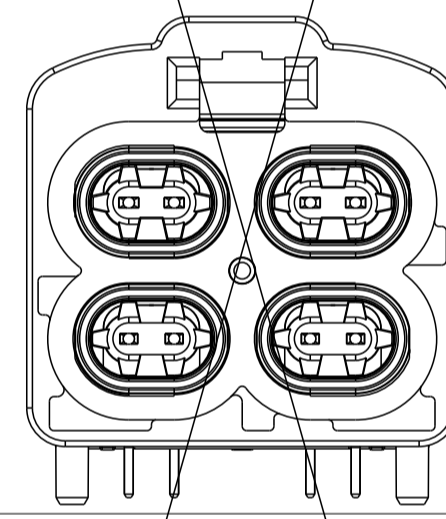
CODE J



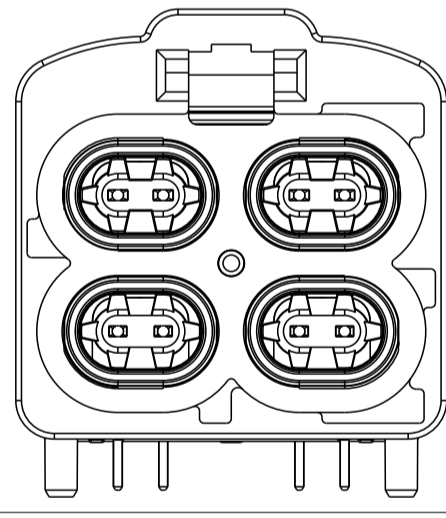
CODE D



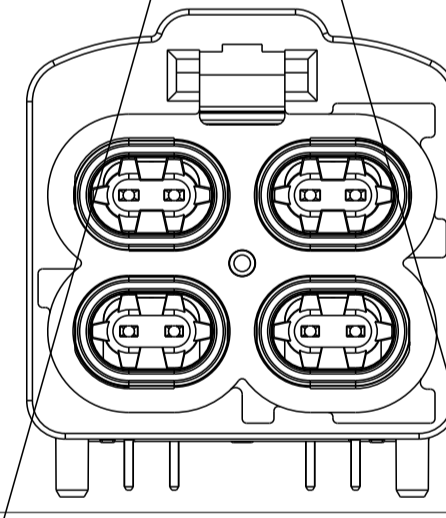
CODE K



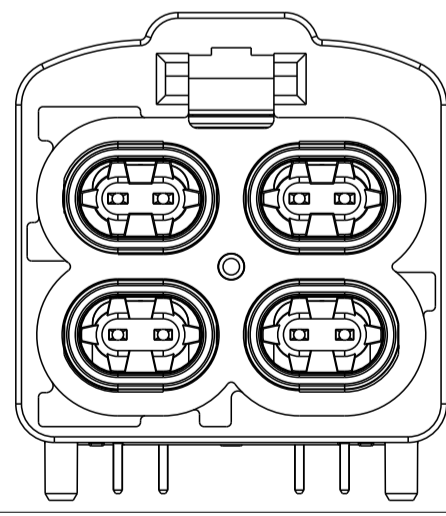
CODE E



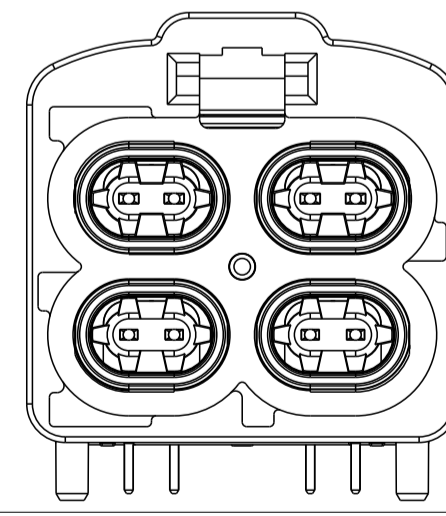
CODE L



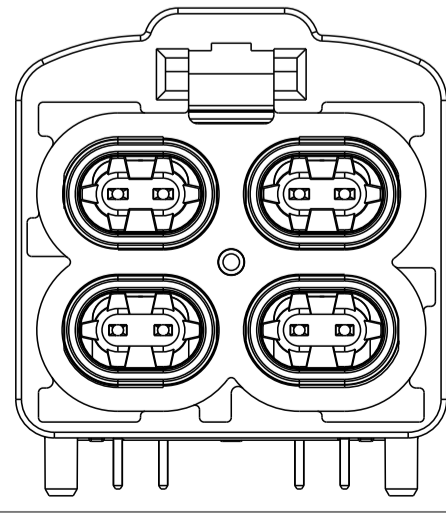
CODE F



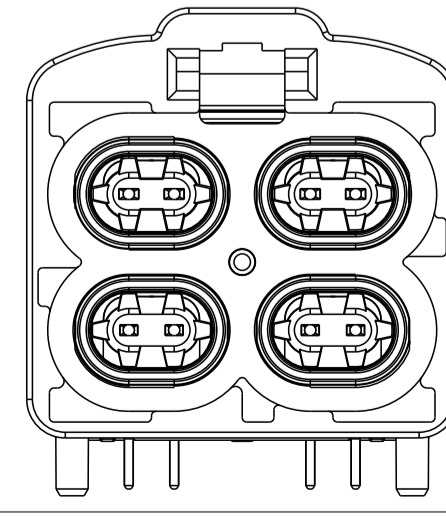
CODE M



CODE Z



CODE O



REVISIONS				
P	LTN	DESCRIPTION	DATE	APVD
-		SEE SHEET 1	-	-

THIS DRAWING IS A CONTROLLED DOCUMENT.

DIMENSIONS:	mm	TOLERANCES UNLESS OTHERWISE SPECIFIED	0 PLC ±0.1	1 PLC ±0.1	2 PLC ±0.05	3 PLC ±0.001	4 PLC ±0.0001	ANGLES	FINISH	SEE TABLE	DWN	A.ZHAO	19 JUL 2023	CHK	D.ZHU	19 JUL 2023	APP'D	L.PAN	19 JUL 2023	NAME	GEMnet 4P 90DEG HEADER	SIZE	A	CAGE CODE	00779	DRAWING NO	2374900	RESTRICTED TO	-
MATERIAL	116-160325	WEIGHT	4	PRODUCT SPEC		108-160131		APPLICATION SPEC		CUSTOMER DRAWING		SCALE		3:1	SHEET		3	OF	3	REV	A8								

TE Connectivity