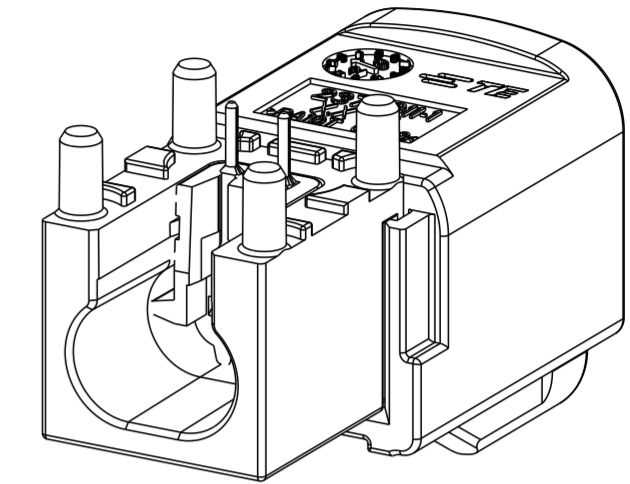
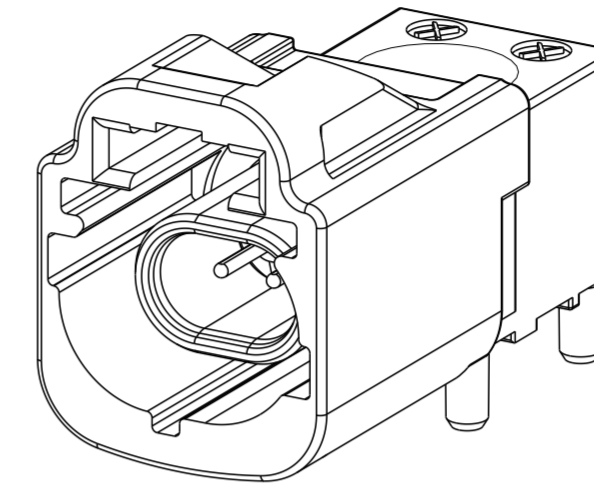
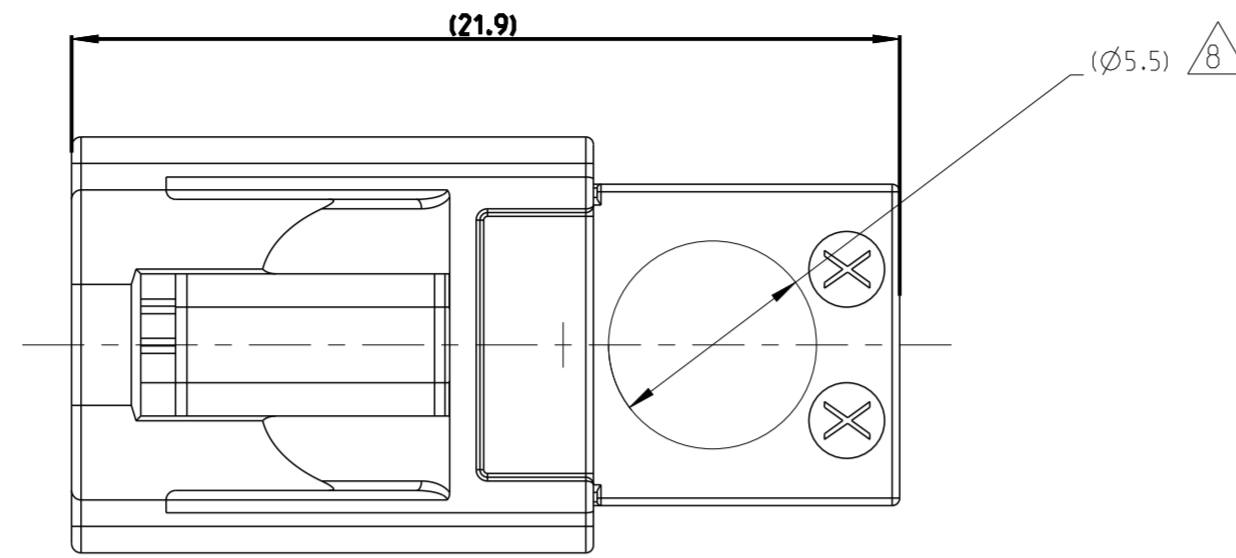
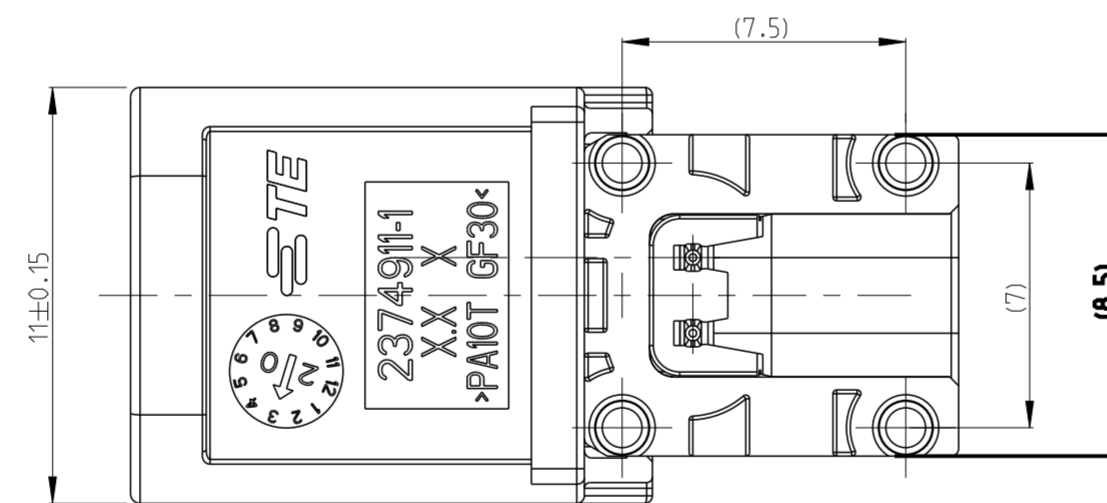
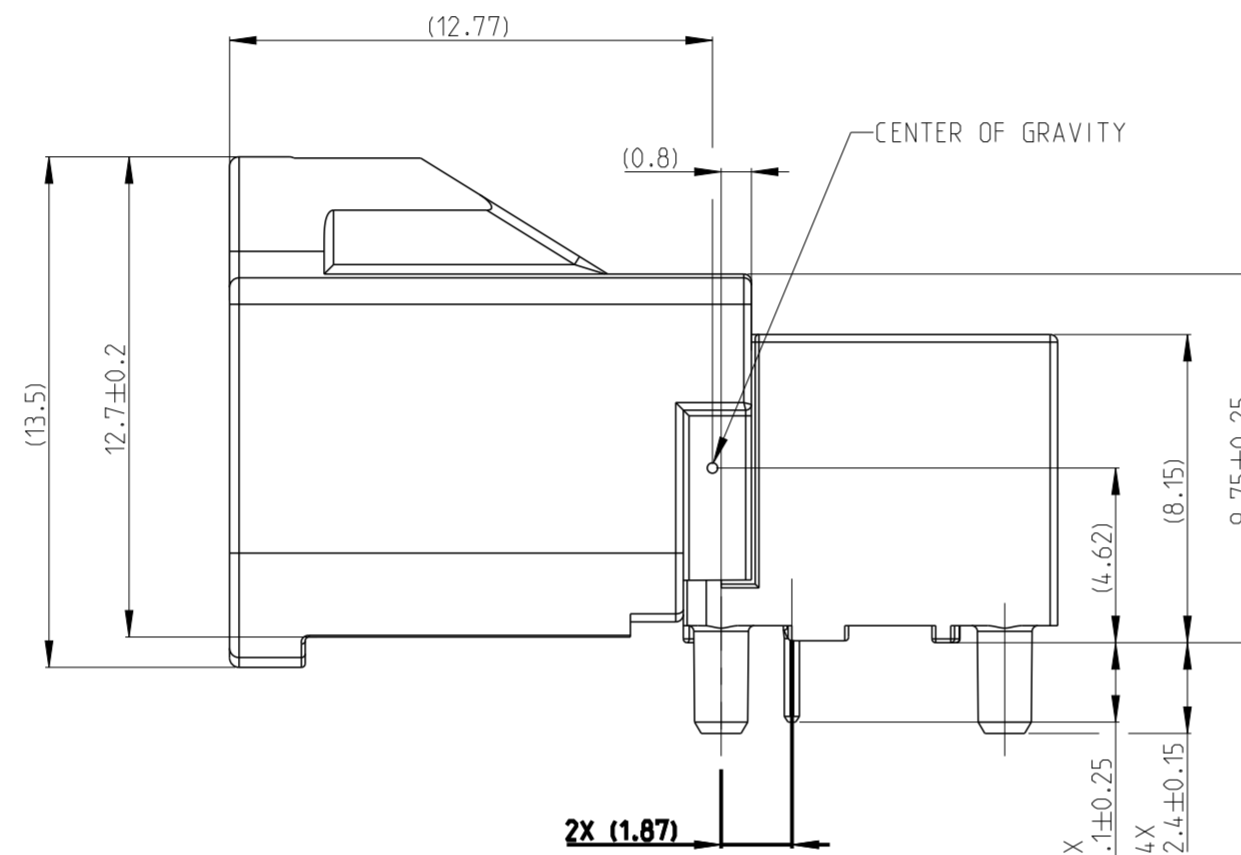
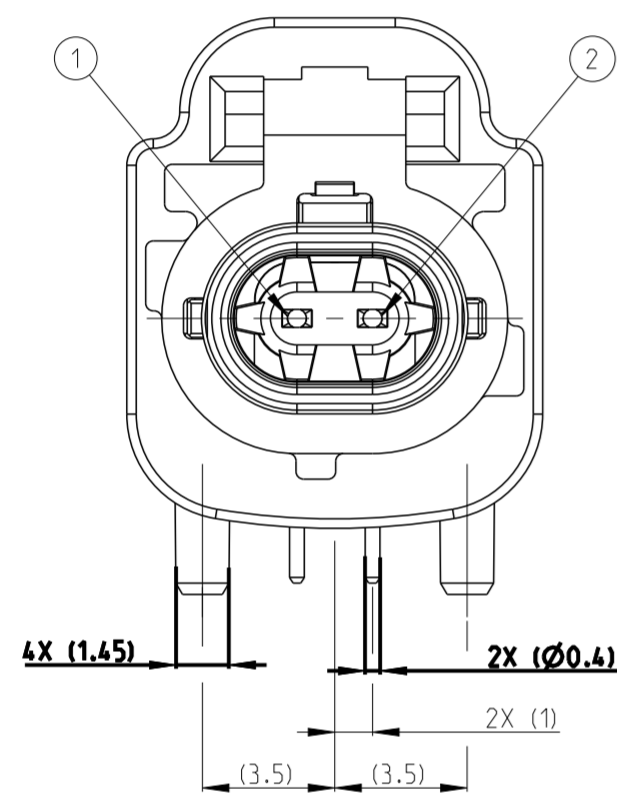


P	LTR	DESCRIPTION	DATE	DWN	APVD
B		REVISED PER ECR-22-141591	08JUN22	M.X	C.P
B2		REVISED PER ECN-23-201517	06MAR23	A.Z	C.P
B3		REVISED PER ECN-23-213155	25JUN23	A.Z	C.P



ISOMETRIC VIEW
SCALE 4:1



1. 2374901-1 AS SHOWN.

2 CONTACT: COPPER ALLOY
HOUSING: HIGH TEMP POLYAMIDE
DIELECTRIC: HIGH TEMP LCP
DIECAST: ZINC ALLOY.

3 PIN CONTACT - 0.38 μ m MIN GOLD ON INTERFACE END,
3.0 μ m MIN TIN; BOTH OVER 1.3 μ m MIN NICKEL .
OUTER SHELL - 3.0 μ m MIN TIN OVER 1.3 μ m MIN NICKEL

4 MASS = 4.09g.

5. INTERFACE DESIGNED AROUND 100 Ohm DIFFERENTIAL SIGNAL.

6 PCB EDGE SHOULD NOT EXCEED THE FRONT SURFACE OF CONNECTOR HOUSING.



7 DATUM AND DIMENSION ESTABLISHED BY CUSTOMER .

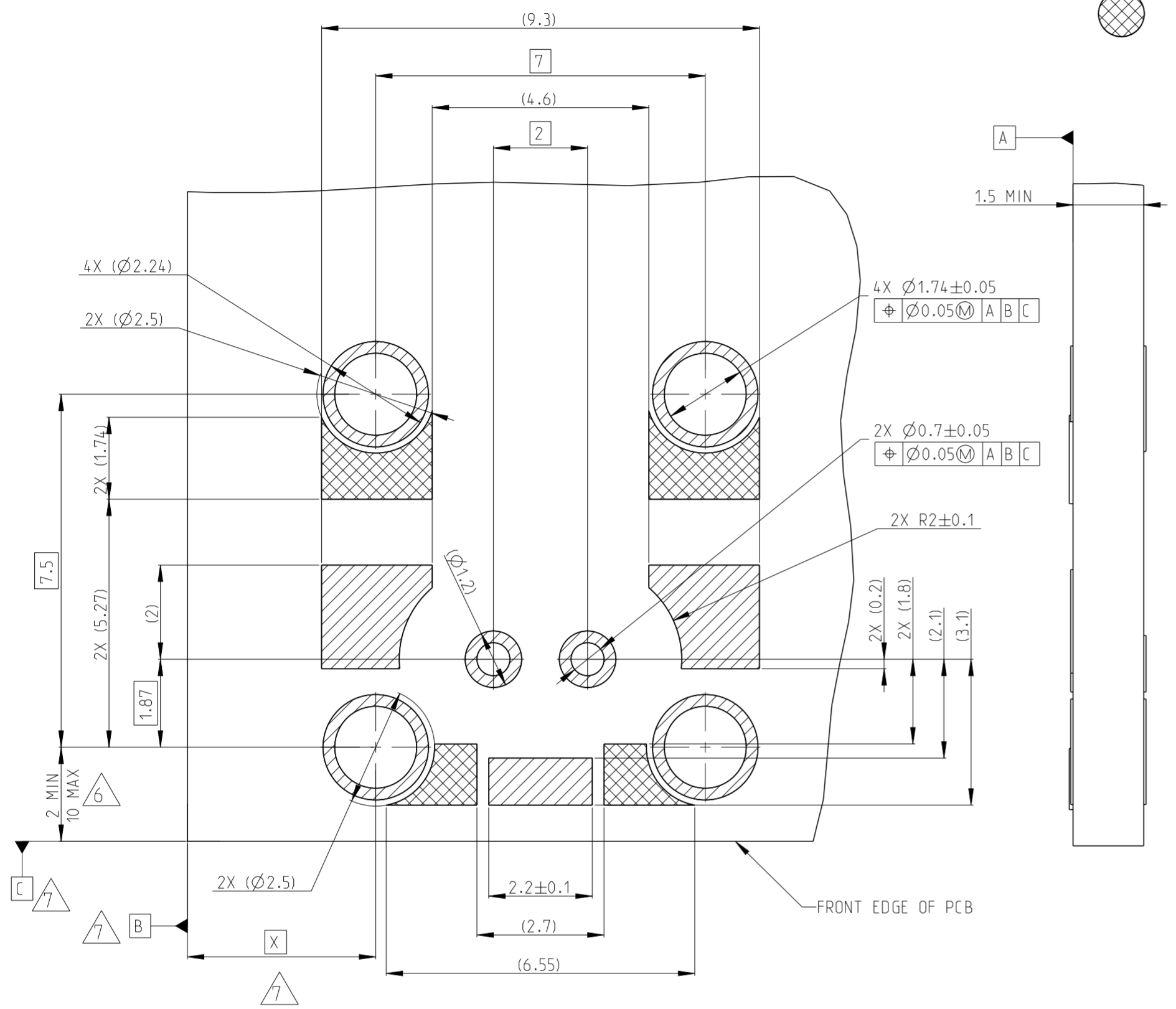
8 VACUUM ABSORPTION AREA.

3	WATER BLUE	Z	1-2374901-4
3	LIGHT GREEN	O	1-2374901-3
3	PASTEL ORANGE	M	1-2374901-2
3	YELLOW GREEN	L	1-2374901-1
3	CURRY	K	1-2374901-0
3	BEIGE	J	2374901-9
3	LIGHT PINK	H	2374901-8
3	PLATINUM GREY	G	2374901-7
3	NUT BROWN	F	2374901-6
3	MAY GREEN	E	2374901-5
3	CLARET VIOLET	D	2374901-4
3	LIGHT BLUE	C	2374901-3
3	PURE WHITE	B	2374901-2
3	JET BLACK	A	2374901-1
FINISH	HOUSING COLOR	KEYING CODE	PART NUMBER

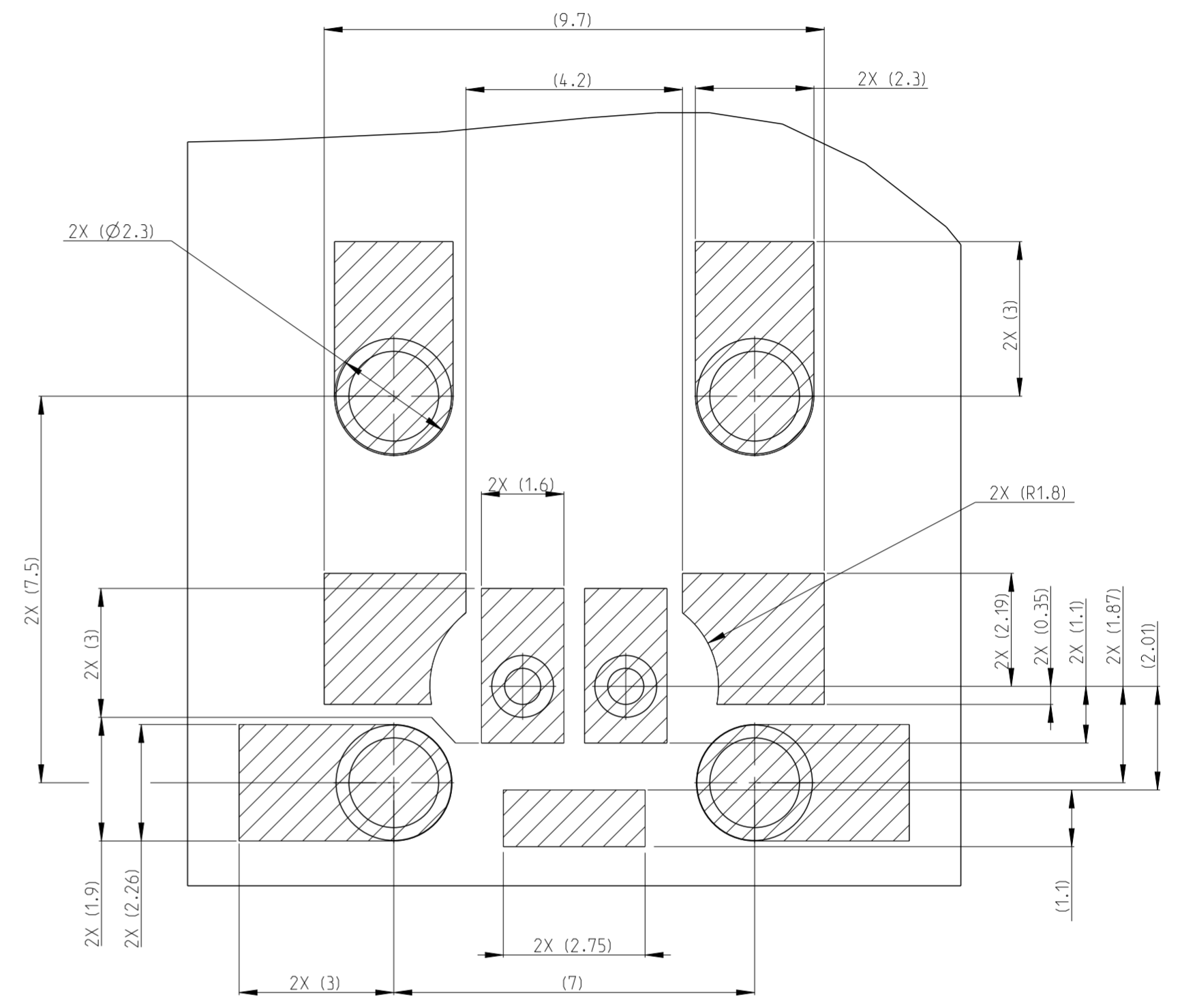
THIS DRAWING IS A CONTROLLED DOCUMENT.		DWN A.ZHAO 25JUN2023	TE Connectivity	
		CHK D.ZHU 25JUN2023		
DIMENSIONS: mm		APVD C.PAN 25JUN2023	NAME GEMnet 1P 90deg HEADER	
TOLERANCES UNLESS OTHERWISE SPECIFIED:		PRODUCT SPEC 108-160131	SIZE A2	
0 PLC ±		APPLICATION SPEC 114-160325	CAGE CODE 00779	DRAWING NO C-2374901
1 PLC ±		WEIGHT 4	RESTRICTED TO -	
2 PLC ±		CUSTOMER DRAWING	SCALE 5:1	SHEET 1 OF 3
3 PLC ±			REV B3	
4 PLC ±				
ANGLES ±				
FINISH SEE TABLE				

REVISIONS					
P	LTR	DESCRIPTION	DATE	DWN	APVD
		SEE SHEET 1	-	-	-


 SOLDER AREA
 KEEP OUT AREA, FREE OF SOLDER, NO RUTING UNDERNEATH.



RECOMMENDED PCB FOOTPRINT SCALE 10:1

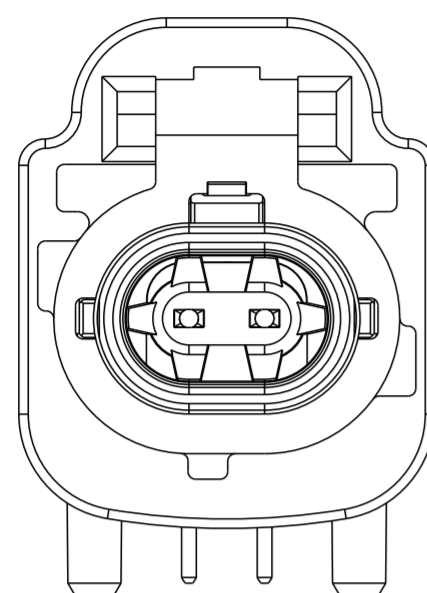


RECOMMENDED STENCIL APERTURES SCALE 10:1

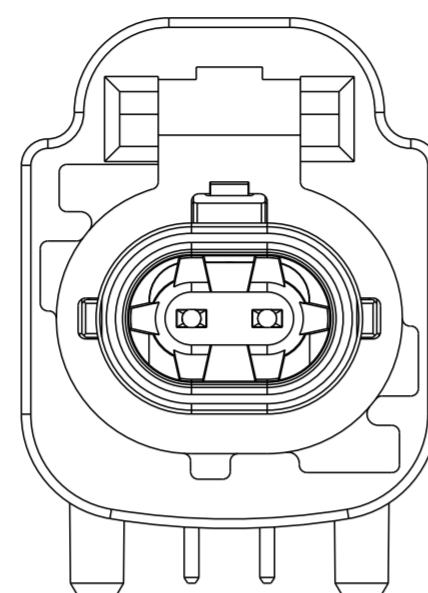
THIS DRAWING IS A CONTROLLED DOCUMENT.		DWN A.ZHAO 25JUN2023	 TE Connectivity																		
DIMENSIONS: mm		CHK D.ZHU 25JUN2023			NAME GEMnet 1P 90deg HEADER																
TOLERANCES UNLESS OTHERWISE SPECIFIED:		APVD C.PAN 25JUN2023	PRODUCT SPEC 108-160131	SIZE A2	CAGE CODE 00779	DRAWING NO C-2374901	RESTRICTED TO -														
<table border="1"> <tr><td>0 PLC</td><td>±</td></tr> <tr><td>1 PLC</td><td>±0.1</td></tr> <tr><td>2 PLC</td><td>±0.01</td></tr> <tr><td>3 PLC</td><td>±0.001</td></tr> <tr><td>4 PLC</td><td>±0.0001</td></tr> <tr><td>ANGLES</td><td>±</td></tr> <tr><td>FINISH</td><td>SEE TABLE</td></tr> </table>		0 PLC	±	1 PLC	±0.1	2 PLC	±0.01	3 PLC	±0.001	4 PLC	±0.0001	ANGLES	±	FINISH	SEE TABLE	APPLICATION SPEC 114-160325	WEIGHT 4	SCALE 5:1	SHEET 2 OF 3	REV B3	
0 PLC	±																				
1 PLC	±0.1																				
2 PLC	±0.01																				
3 PLC	±0.001																				
4 PLC	±0.0001																				
ANGLES	±																				
FINISH	SEE TABLE																				
MATERIAL 2		CUSTOMER DRAWING																			

REVISIONS					
P	LTR	DESCRIPTION	DATE	DWN	APVD
		SEE SHEET 1	-	-	-

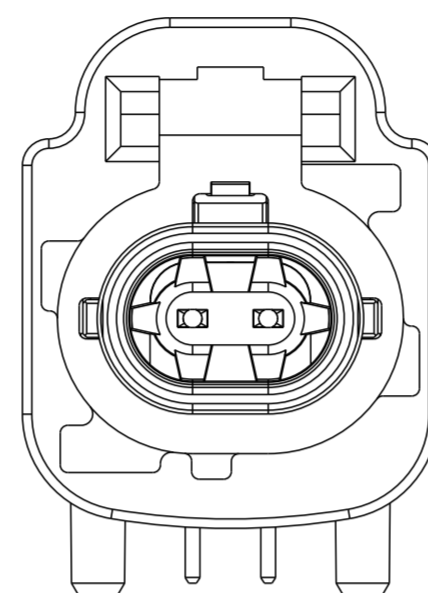
KEYING CODE



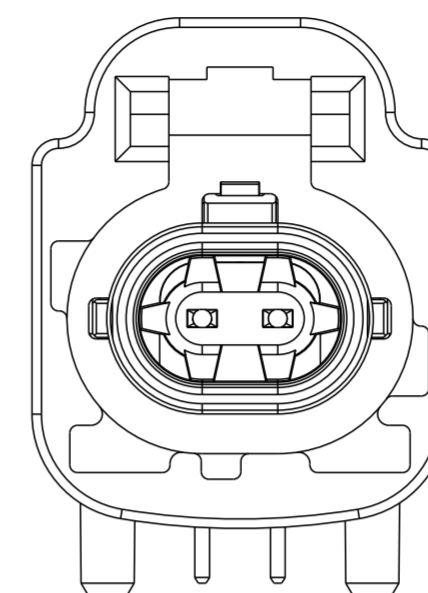
CODE A



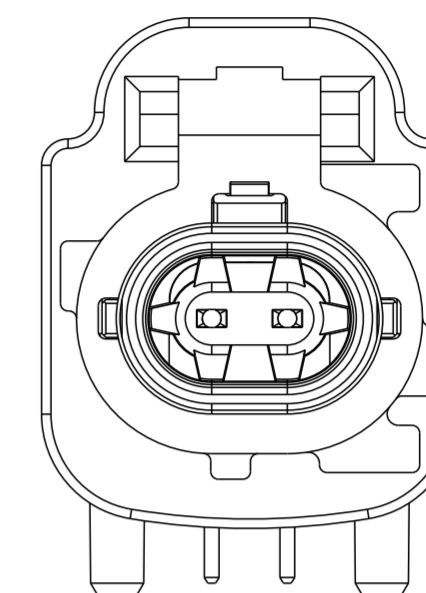
CODE B



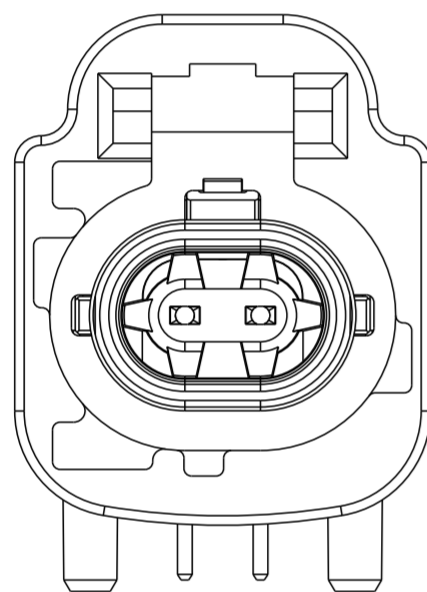
CODE C



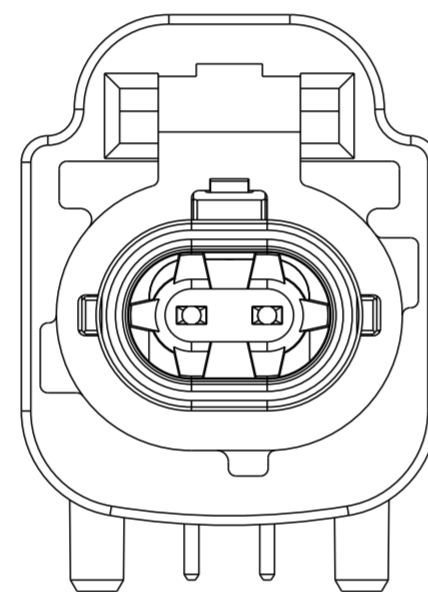
CODE D



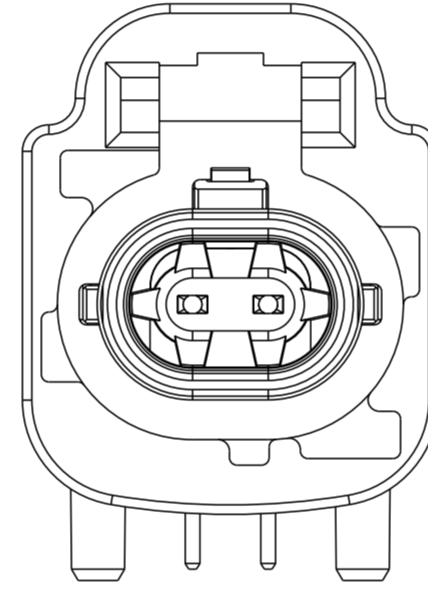
CODE E



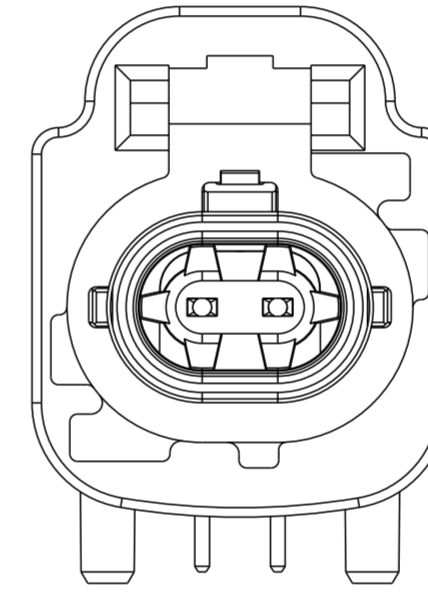
CODE F



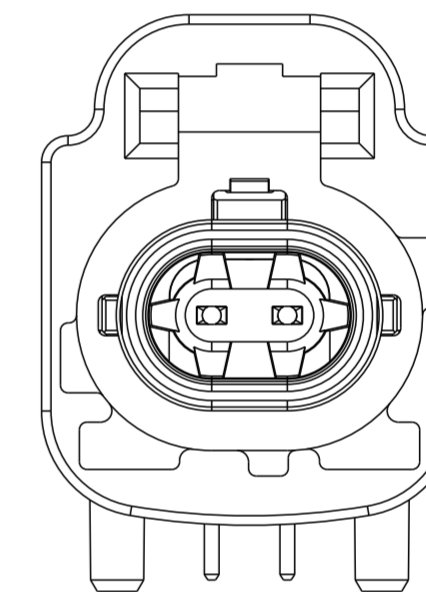
CODE G



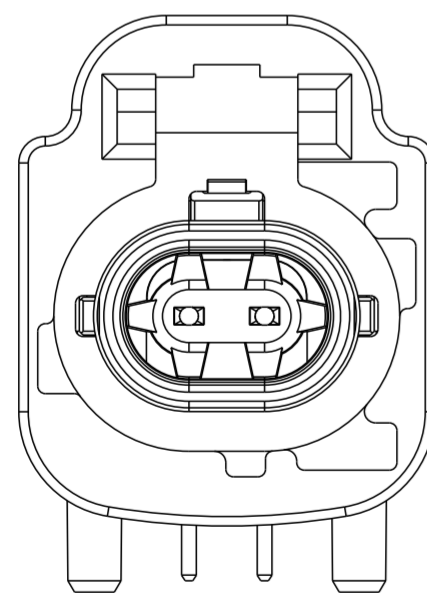
CODE H



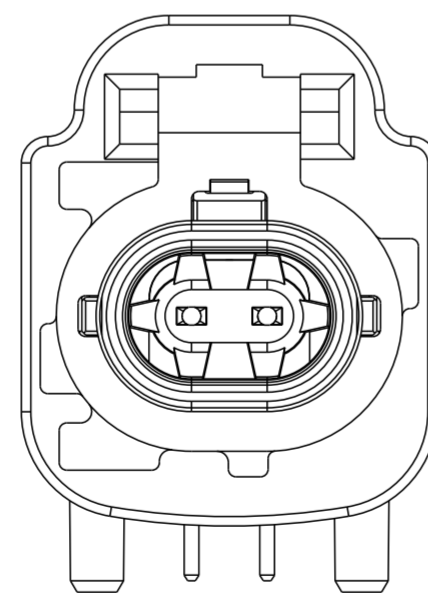
CODE J



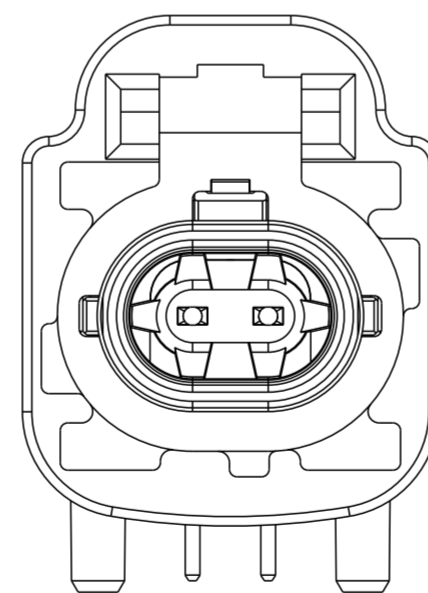
CODE K



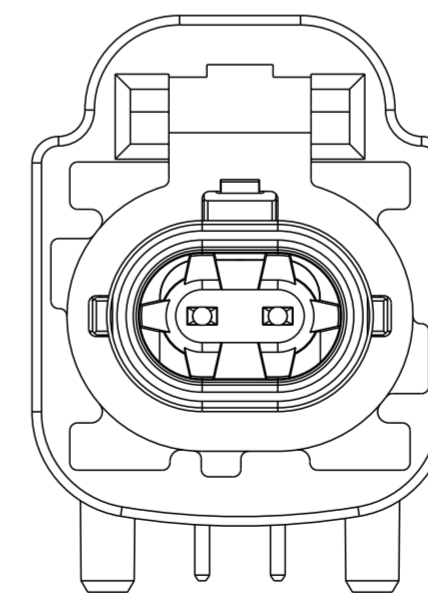
CODE L




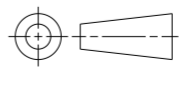
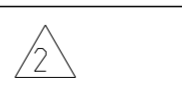

CODE M



CODE O



CODE Z

THIS DRAWING IS A CONTROLLED DOCUMENT.		DWN A.ZHAO 25JUN2023	 TE Connectivity					
DIMENSIONS: mm		CHK D.ZHU 25JUN2023				NAME GEMnet 1P 90deg HEADER		
		APVD C.PAN 25JUN2023				PRODUCT SPEC 108-160131		
		APPLICATION SPEC 114-160325						
MATERIAL 		WEIGHT 4		SIZE A2	CAGE CODE 00779	DRAWING NO C-2374901	RESTRICTED TO -	
TOLERANCES UNLESS OTHERWISE SPECIFIED: 0 PLC ± 1 PLC ± 2 PLC ± 3 PLC ± 4 PLC ± ANGLES ± FINISH SEE TABLE		CUSTOMER DRAWING		SCALE 5:1	SHEET 3 OF 3	REV B3		