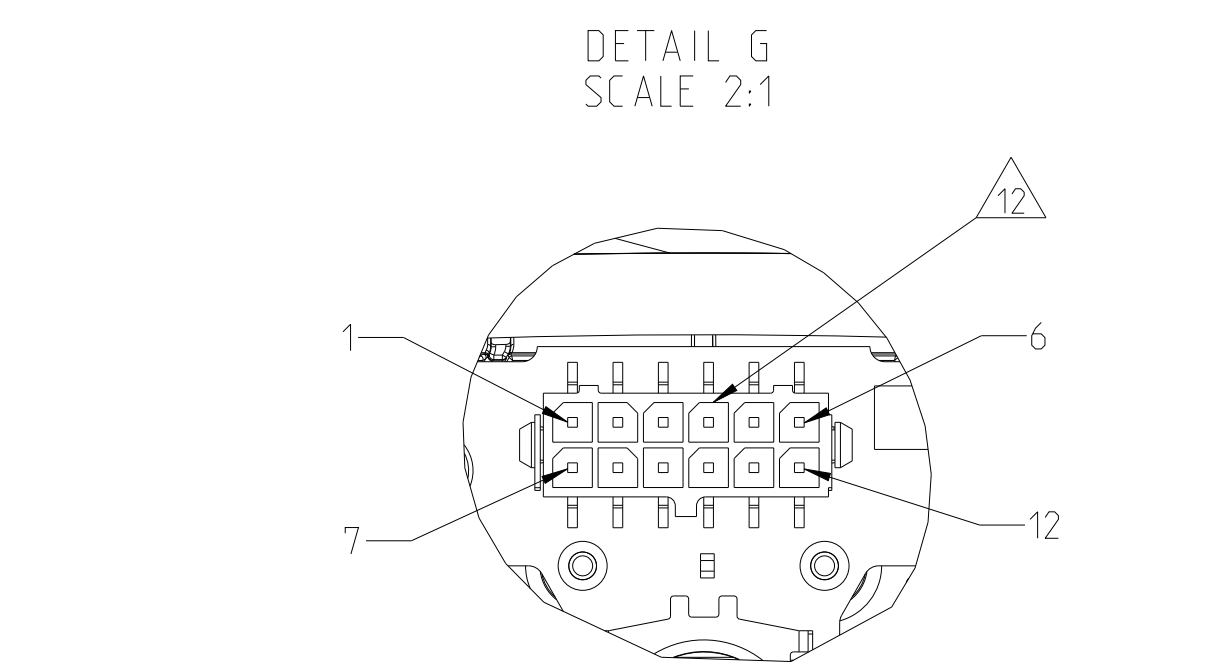
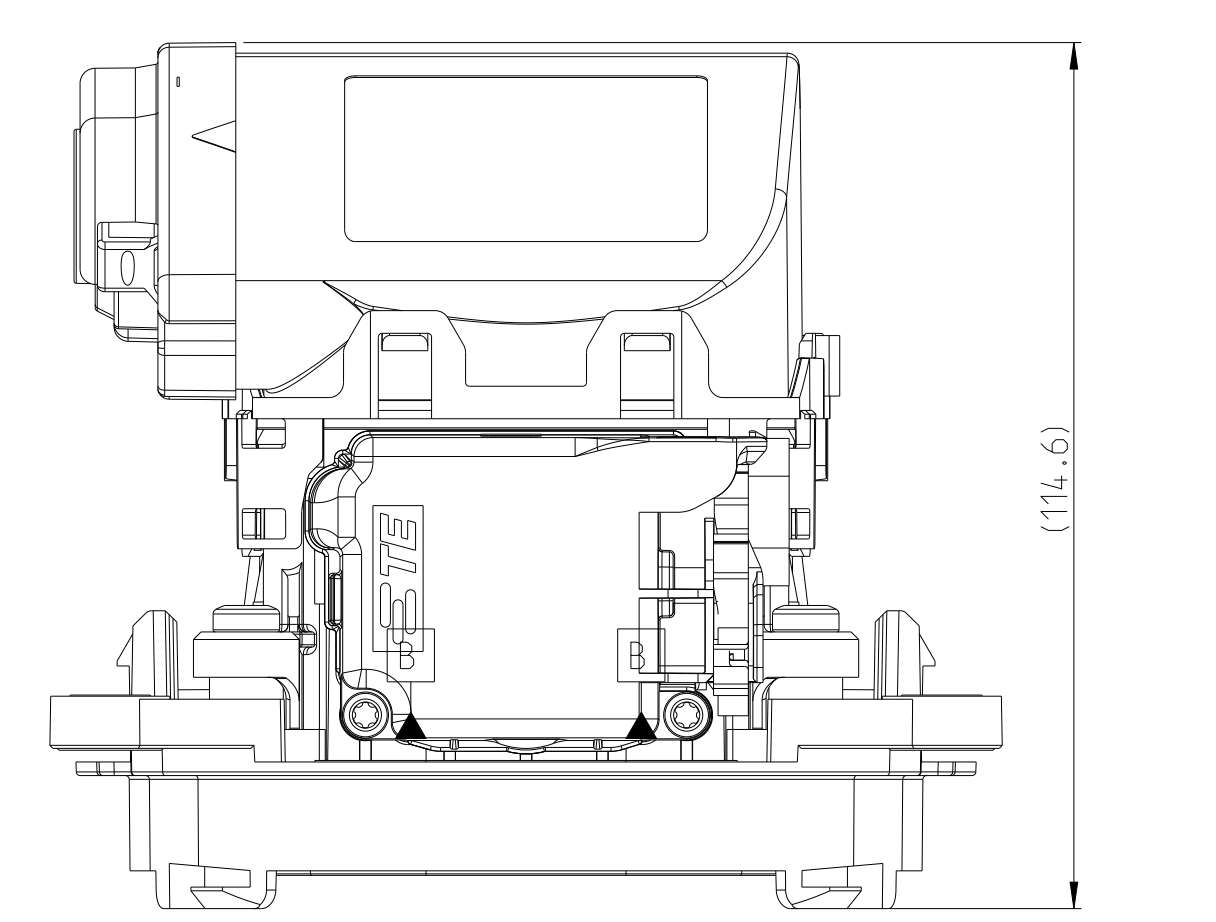
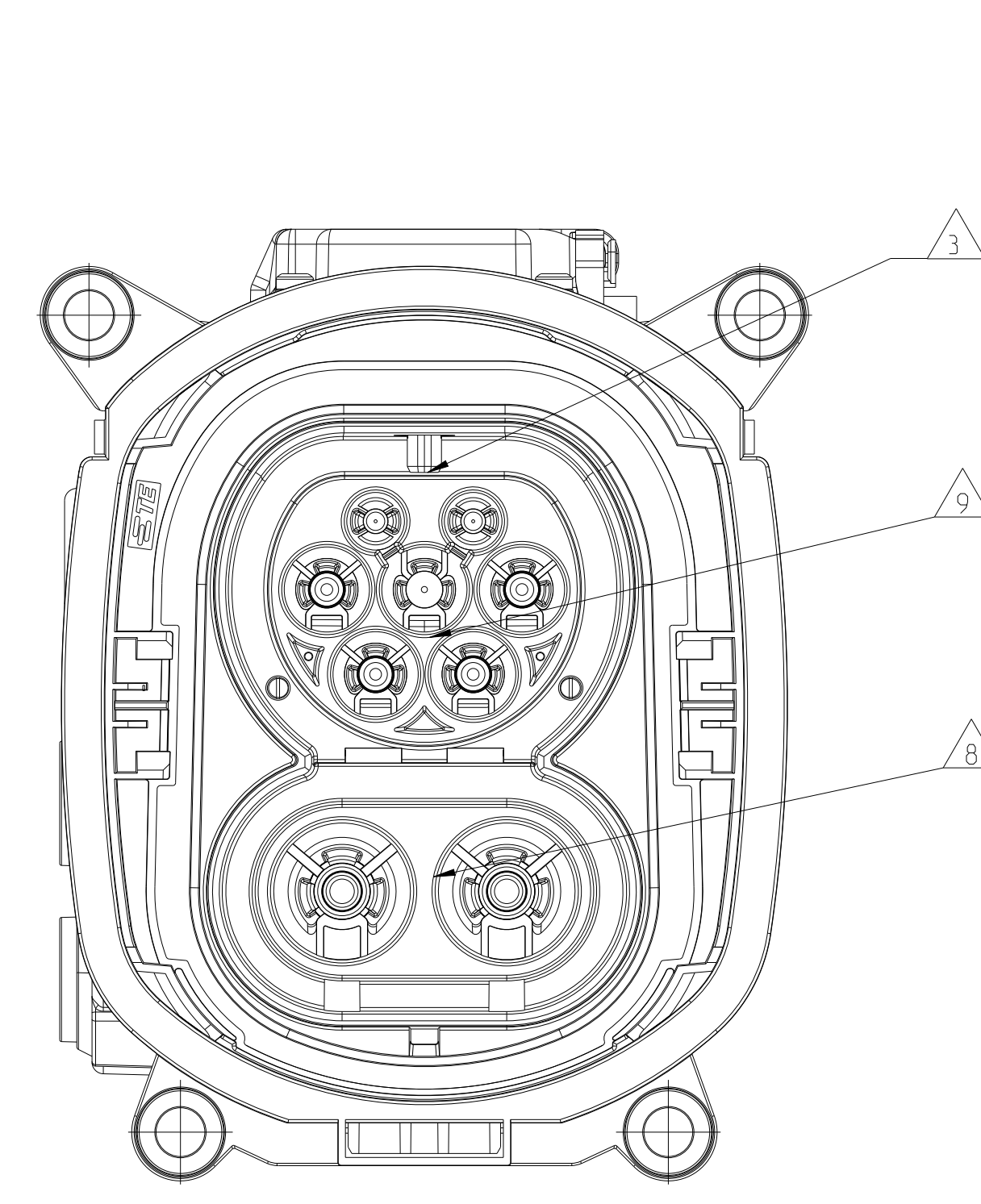
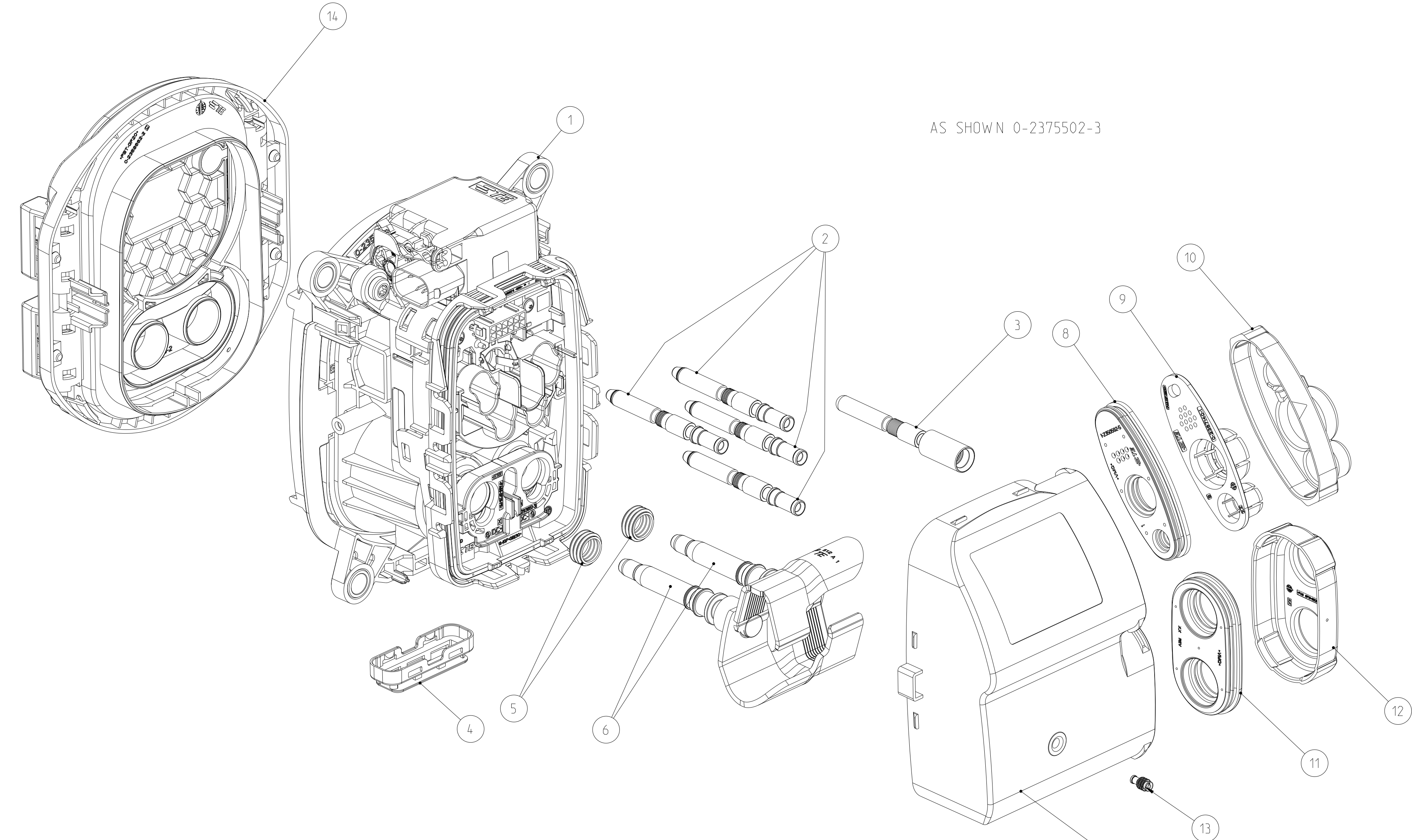
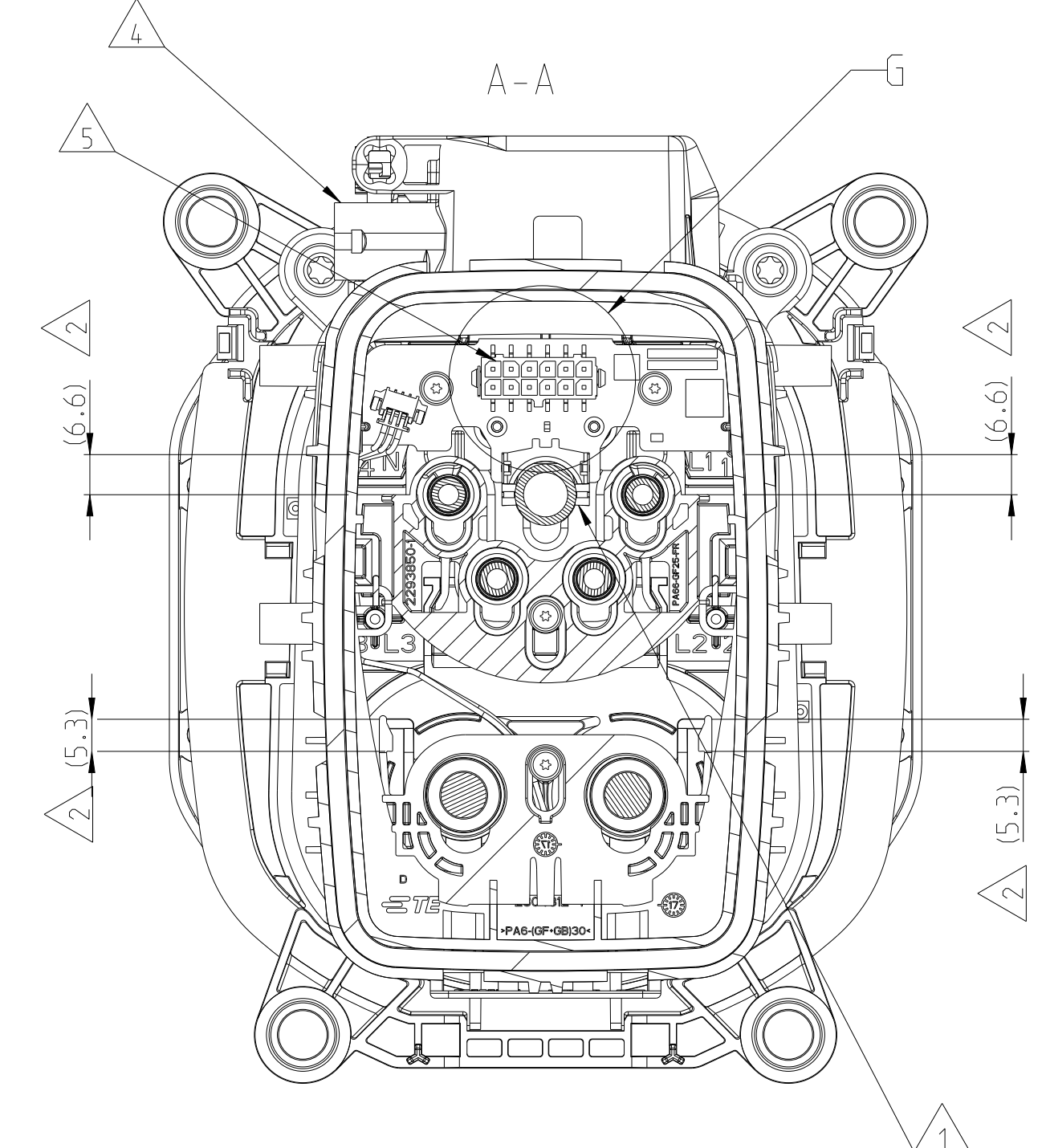
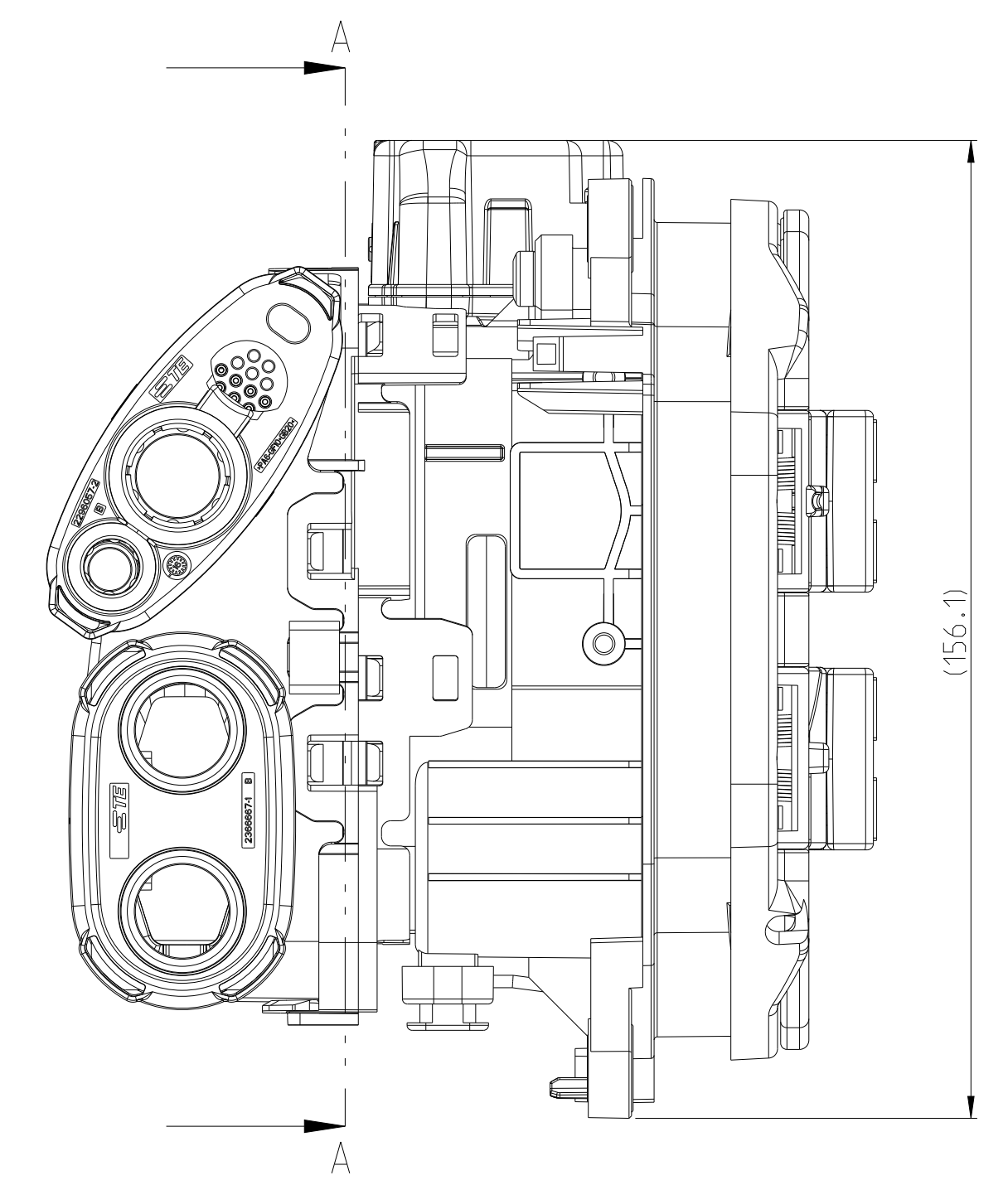
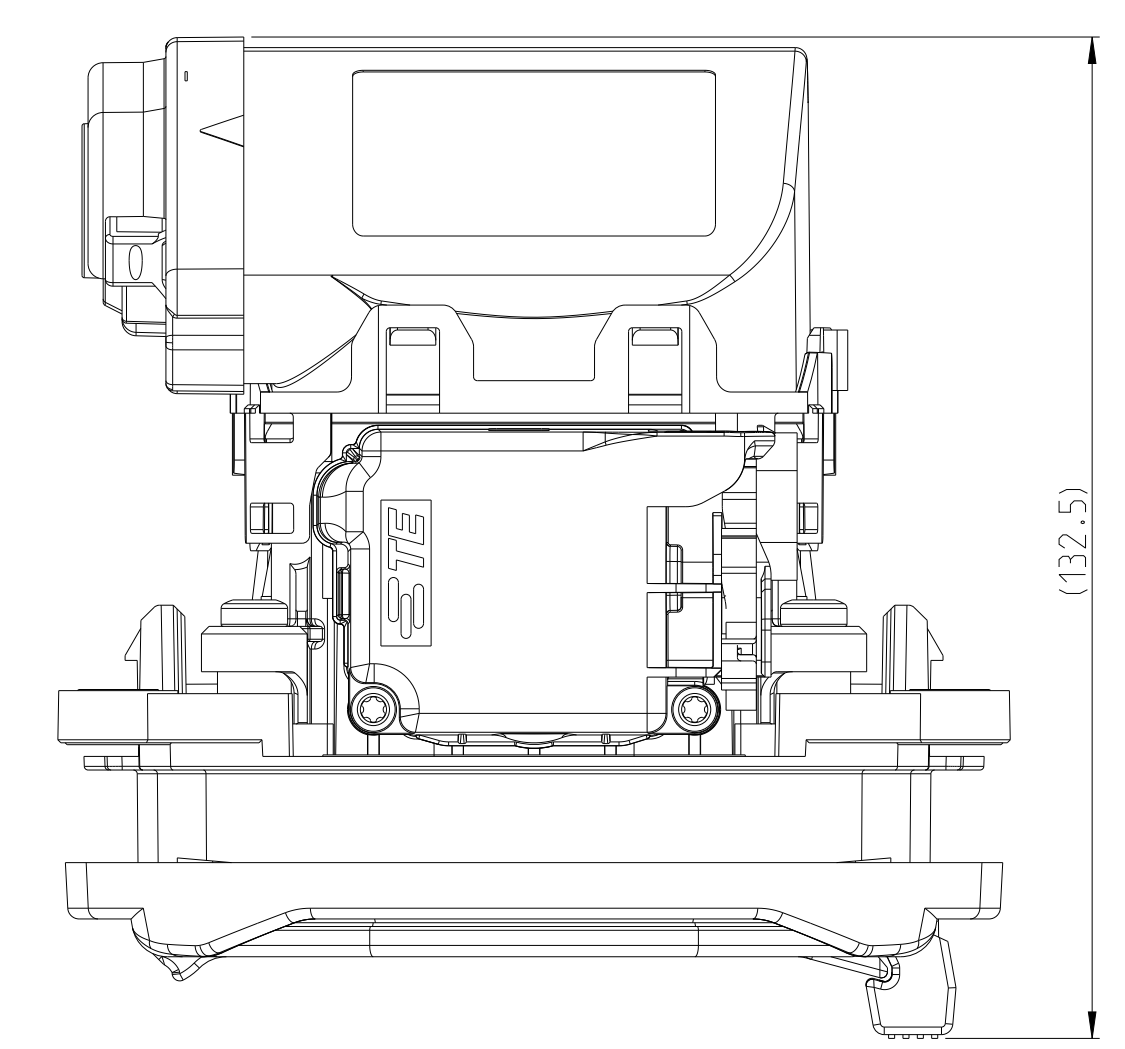
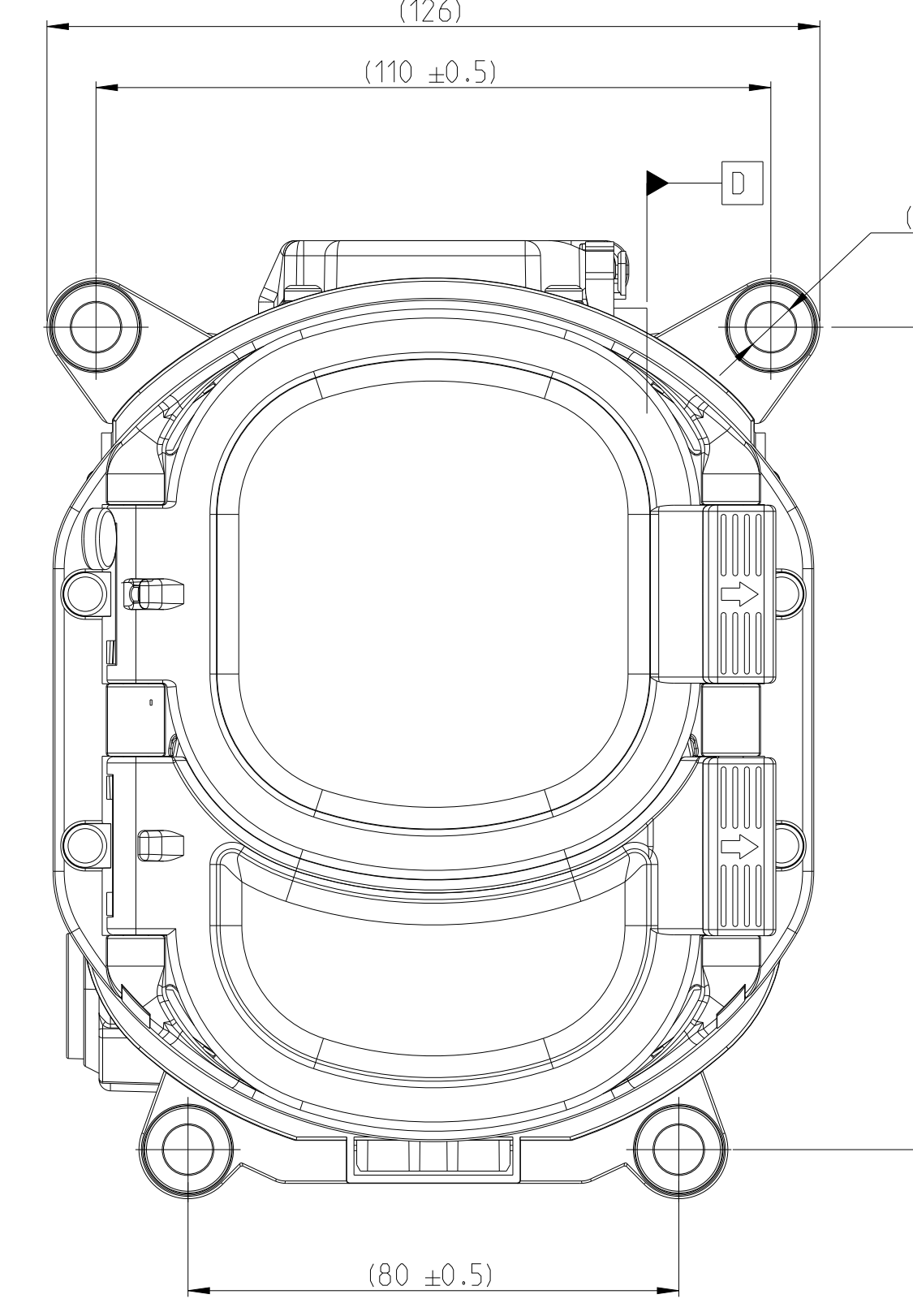


| REVISIONS | | DATE | BY | APPD |
|-----------|---------------|-----------|----|------|
| 1 | New Drawing | 14AUG2020 | US | BK |
| A1 | ECR-21-115473 | 28SEP2021 | US | BK |
| B | PCN-24-196382 | 09JAN2024 | AJ | KBP |

VARIANTS WITHOUT FLAP

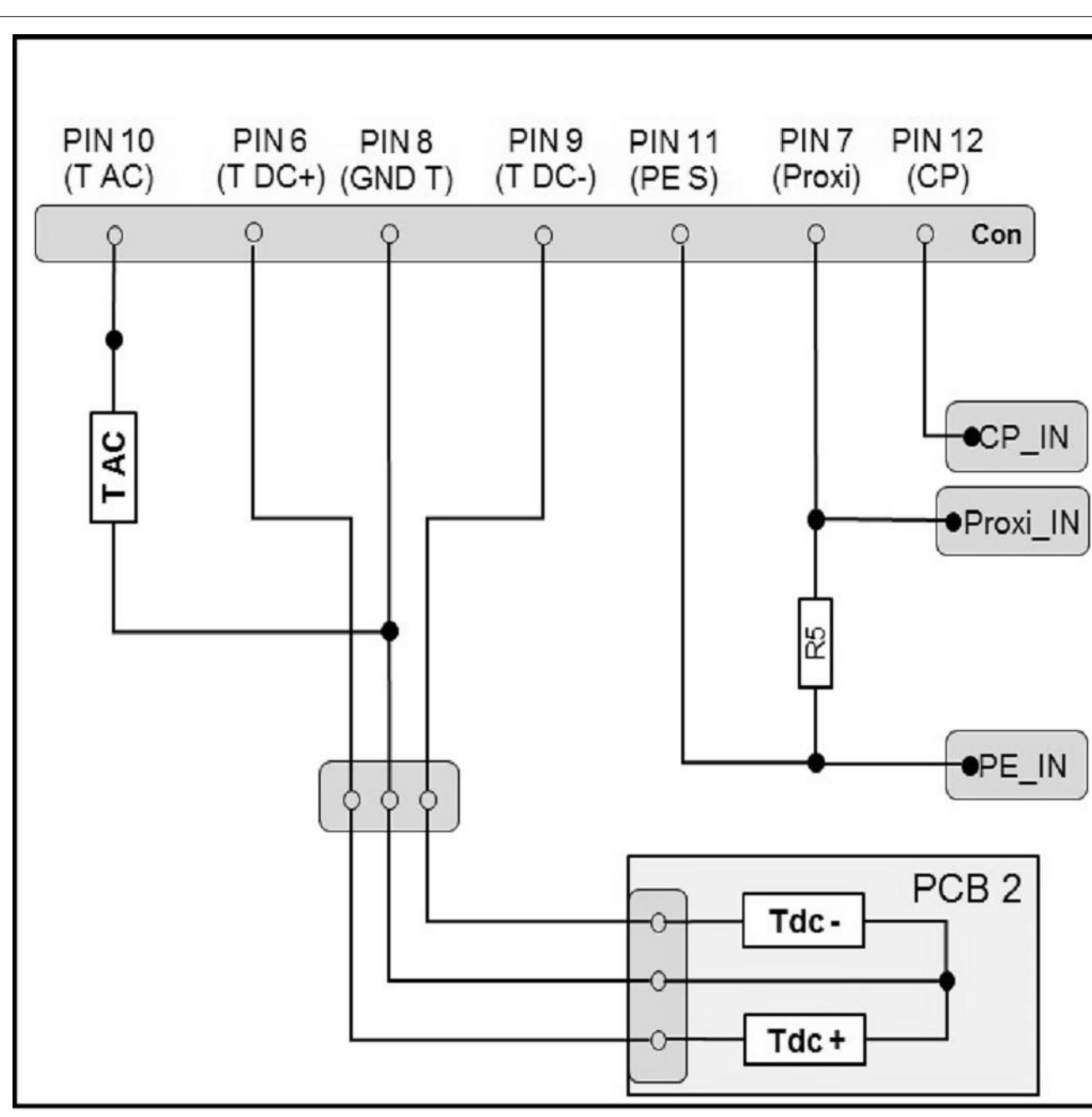


VARIANTS WITH FLAP (126)



- NOTES
- PACKED INTERLAYERED IN PLASTIC BAG IN CORRUGATED SHIPPING BOX
 - DELIVERY CONDITION: SEC. LOCKS IN PRELOCK POSITION
 - DELIVERY CONDITION ACTUATOR: ACTUATOR IN BASE POSITION
 - ROOM FOR CONNECTOR PN 1-967640-1 MATING WITH TE SPEC. 114-18063-124.
 - MAKE SURE THAT NO MECHANICAL FORCES ARE APPLIED ON THE HEADER OF PCB A
 - PE CONTACT CLAMP MAY BE DISCOLORED (BLACK/BROWN). TYPICAL FOR AG PLATING AND HAS NO IMPACT ON FUNCTION
 - APPLICABLE SCREWS FOR MOUNTING, HEAD DIAMETER MIN. 10.5mm, TORQUE 6Nm ± 0.9Nm FOR M6 SCREWS
 - CHARGE INLET SIMILAR TO IEC62196-3.CCS 2, SHEET 3-1Va
 - CHARGE INLET SIMILAR TO IEC62196-2.TYPE 2, SHEET 2-2
 - ADAPTIVE CABLES SEE APPLICATION SPECIFICATION 114-xxxxx
 - SPECIFIED IN PRODUCT SPECIFICATION 108-xxxxx
 - COMPATIBLE PCB CONNECTOR: PN 1-794617-2 WITH TERMINAL PN 0-794606-1
 - FUNCTIONAL AND ELECTRICAL REQUIREMENTS OF ACTUATOR SEE SPECIFICATION 108-94519
 - CHECK FEEDBACK SIGNAL OF THE ACTUATOR: FEEDBACK TIME < 10MS (AFTER REACHING FINAL POSITION)
2mA < LOCK POSITION < 4mA
15mA < UNLOCK POSITION < 19mA
8mA < PARTIAL LOCK POSITION < 12mA
8V-SUPPLY VOLTAGE<16V
 - MAX VOLTAGE RATING 480 VAC
MAX CURRENT RATING 32 A
 - MAX VOLTAGE RATING 1000 VDC
MAX CURRENT RATING 200 A
 - ALL COMPONENTS OF THE PARTS LIST ARE DELIVERED IN SEPARATE SUBPACKAGES

AS SHOWN 0-2375502-3



3-2293469-2 & 4-2293469-2
4 WIRE VARIANT:

| PIN 3 | PIN 2 | SENSE RESISTANCE | FUNCTION |
|-------|-------|------------------|----------|
| - | + | 11,000 kOhm ± 2% | LOCKED |
| - | + | 2,194 kOhm ± 2% | DRIVE |
| - | + | 1,540 kOhm ± 2% | FAULT |
| - | + | 0,989 kOhm ± 2% | UNLOCKED |

| PIN 1 | PIN 4 | FUNCTION |
|-------|-------|-------------------------|
| - | + | UNLOCKING Entriegeln |
| + | - | LOCKING Verriegeln |

PINNING PCB

| PIN NO. | COMBO 1 |
|---------|-----------|
| 6 | T DC+ |
| 7 | Proxi |
| 8 | GND, Temp |
| 9 | T DC- |
| 11 | PE S |
| 12 | CP |

| TEST ITEM | RESISTANCE MEASUREMENT | | VALUE *T _{amb} = 25 ± 5 °C |
|-----------|------------------------|----|--|
| | TEST PINS | | |
| TAC | 10 | 8 | 1097 Ω ± 20 Ω |
| TDC+ | 6 | 8 | 1097 Ω ± 20 Ω |
| TDC- | 9 | 8 | 1097 Ω ± 20 Ω |
| R5 | 11 | 7 | 4700 Ω ± 140 Ω |
| Proxi | Proxi | 7 | 0 Ω ± 1 Ω |
| CP | CP | 12 | 0 Ω ± 1 Ω |

| REV | FLAP OPENING DIRECTION | | | | | | | | | | | | REV | PART/TECH NO. | REV. | DESCRIPTION | WEIGHT [g] | COLOUR | ITEM NO. |
|-----|------------------------|-------|------|------|---------|---------|-------|-------|------|------|---------|---------|-------------|---------------|------|---|------------|--------|----------|
| | RIGHT | RIGHT | LEFT | LEFT | NO FLAP | NO FLAP | RIGHT | RIGHT | LEFT | LEFT | NO FLAP | NO FLAP | | | | | | | |
| 1 | 1 | - | - | - | - | 1 | 1 | - | - | - | - | - | 2398664-4 | C | - | FLAP, ASSY, INLET COMBO 2, RIGHT | 121.78 | - | 14 |
| 1 | - | 1 | 1 | 1 | 1 | - | - | 1 | 1 | 1 | 1 | 1 | 2398664-2 | C | - | FLAP, ASSY, INLET COMBO 2, LEFT | 121.78 | - | 14 |
| 1 | 1 | 1 | 1 | 1 | 1 | 1 | 1 | 1 | 1 | 1 | 1 | 1 | 96393-1 | E | - | MDS BLINDSTOPFEN | 0.09 | WHITE | 13 |
| 1 | 1 | 1 | 1 | 1 | 1 | 1 | 1 | 1 | 1 | 1 | 1 | 1 | 2366697-1 | B | B | COVER, CABLE SEAL, COMBO DC | 6.00 | ORANGE | 12 |
| 1 | 1 | 1 | 1 | 1 | 1 | 1 | 1 | 1 | 1 | 1 | 1 | 1 | 2366697-1 | A | - | FAMILY SEAL, COMBO DC | 10.64 | GREY | 11 |
| 1 | 1 | 1 | 1 | 1 | 1 | 1 | 1 | 1 | 1 | 1 | 1 | 1 | 2296057-2 | B | - | COVER, CABLE SEAL, AC | 5.93 | ORANGE | 10 |
| 1 | 1 | 1 | 1 | 1 | 1 | 1 | 1 | 1 | 1 | 1 | 1 | 1 | 2367140-1 | B | A | STRAIN RELIEF, AC | 3.62 | GREY | 9 |
| 1 | 1 | 1 | 1 | 1 | 1 | 1 | 1 | 1 | 1 | 1 | 1 | 1 | 1-2350592-5 | B | - | Family Seal, AC | 6.81 | RED | 8 |
| 1 | - | 1 | - | 1 | - | 1 | - | 1 | - | 1 | - | 1 | 1-2303200-2 | D | - | CABLE EXIT, RECT., COMBO RIGHT | 46.15 | - | 7 |
| - | 1 | - | 1 | - | 1 | - | 1 | - | 1 | - | 1 | - | 1-2303200-1 | C | - | CABLE EXIT, RECT., COMBO LEFT | 46.15 | - | 7 |
| 2 | 2 | 2 | 2 | 2 | 2 | 2 | 2 | 2 | 2 | 2 | 2 | 2 | 236177-1 | A | - | DIA SHMPIN TERMINAL | 82.29 | - | 5 |
| 2 | 2 | 2 | 2 | 2 | 2 | 2 | 2 | 2 | 2 | 2 | 2 | 2 | 2120571-1 | A | - | SEALING | 0.29 | - | 5 |
| 1 | 1 | 1 | 1 | 1 | 1 | 1 | 1 | 1 | 1 | 1 | 1 | 1 | 2292534-1 | B | - | PROTECTION CAP CHARGE INLETS | 2.16 | BLACK | 4 |
| 1 | 1 | 1 | 1 | 1 | 1 | 1 | 1 | 1 | 1 | 1 | 1 | 1 | 2293276-5 | B | - | PIN DIA. 6.0, RIGID, POWER PE | 10.06 | - | 3 |
| 1 | 1 | 1 | 1 | 1 | 1 | 1 | 1 | 1 | 1 | 1 | 1 | 1 | 2293269-3 | A | - | DIA SHMPIN TERMINAL | 12.44 | - | 2 |
| 1 | 1 | 1 | 1 | 1 | 1 | 1 | 1 | 1 | 1 | 1 | 1 | 1 | 2371400-3 | B | - | COMBO 2/3 CHARGE INLET ASSY.W/OUT LED, 90° ACTUATOR | 395.36 | - | 1 |
| 1 | 1 | 1 | 1 | 1 | 1 | 1 | 1 | 1 | 1 | 1 | 1 | 1 | 2371400-1 | B | - | COMBO 2/3 CHARGE INLET ASSY.W/OUT LED, 90° ACTUATOR | 395.36 | - | 1 |

THIS DRAWING IS A CONTROLLED DOCUMENT. DIMENSIONING AND TOLERANCING PER GPS ISO STANDARDS.

DATE: 31AUG2020
 DRAWN BY: U. Siegel
 CHECKED BY: S. Kosch
 DATE: 02SEP2020

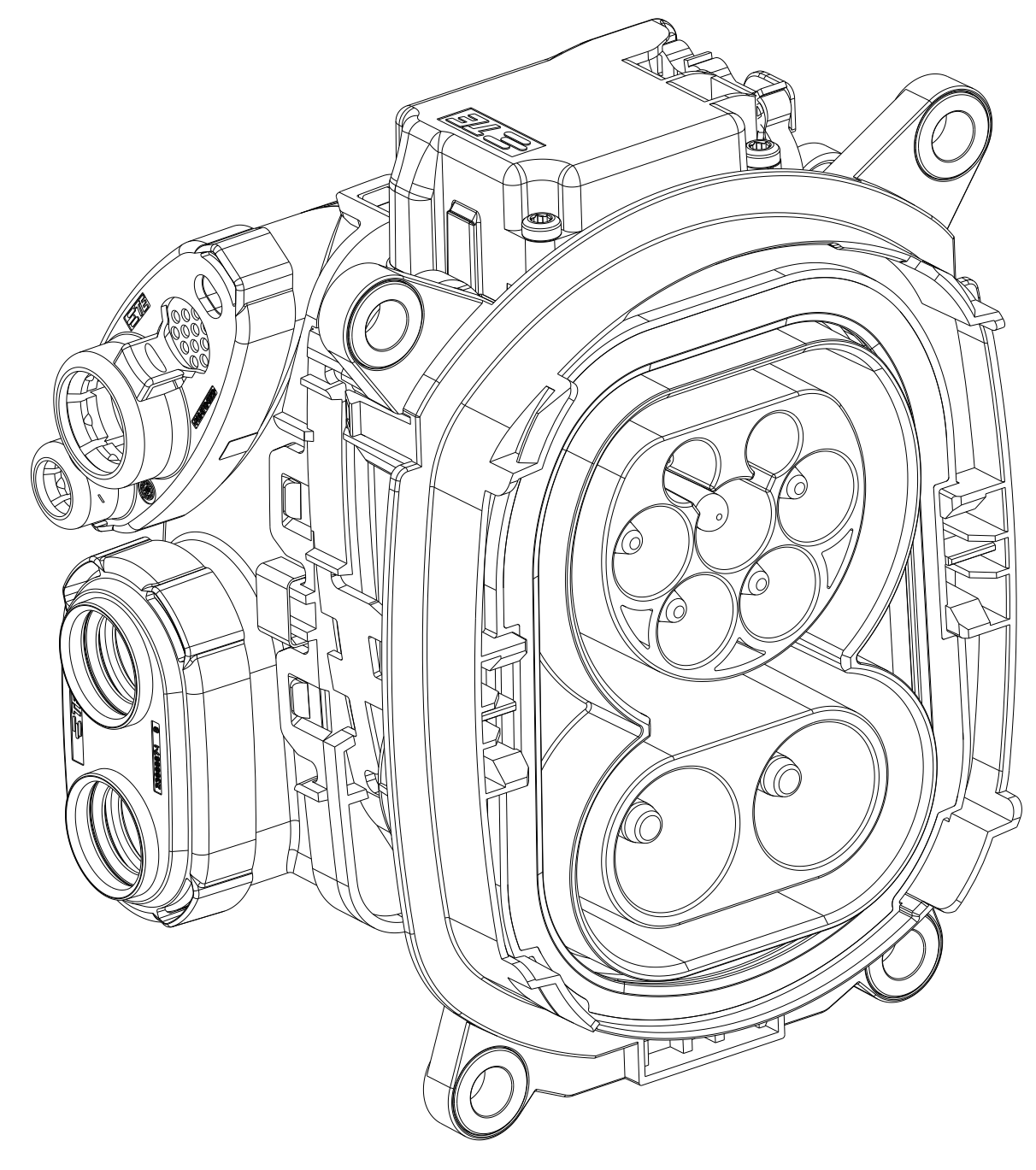
TE Connectivity
STE
 CHARGE INLET KIT, COMBO2, 90 DEGREE

SCALE: 1:1
 SHEET: 1 of 2
 REV: B

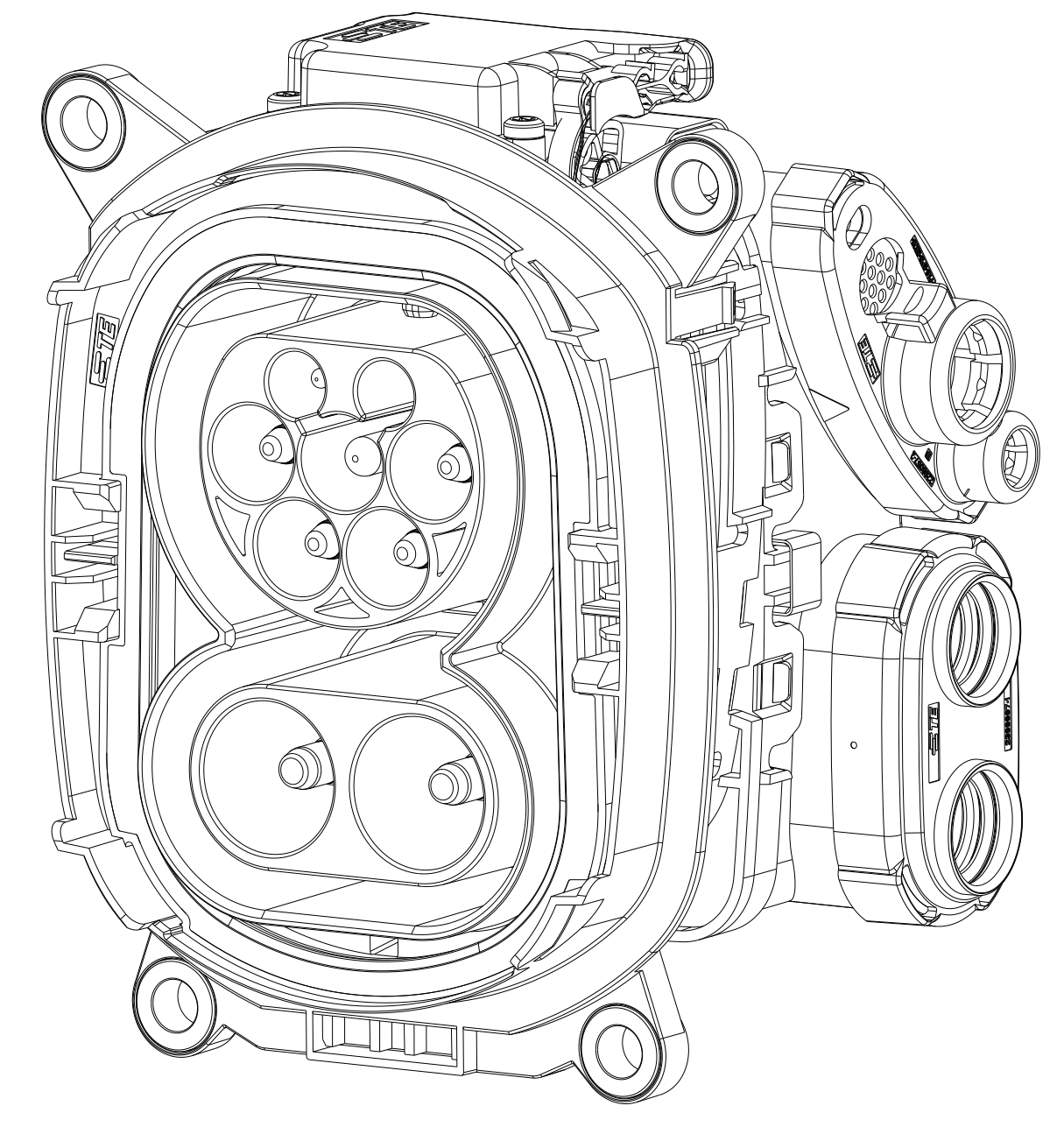
| REVISIONS | | | |
|-----------|------|-------------|----|
| REV | DATE | DESCRIPTION | BY |
| - | - | SEE SHEET 1 | - |
| | | | |
| | | | |

VARIANTS OVERVIEW

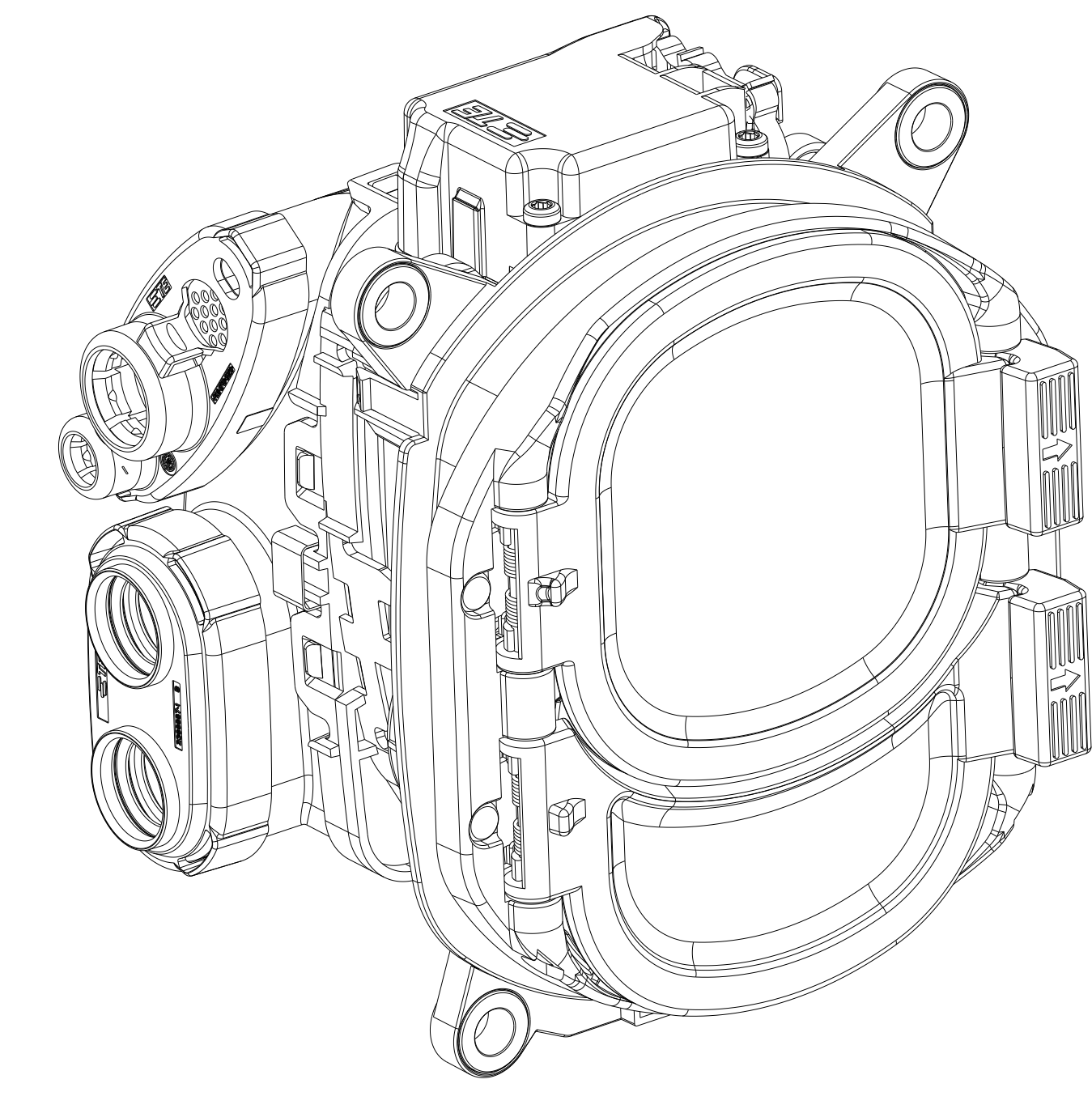
NO FLAP
CABLE EXIT LEFT
0-2375502-1



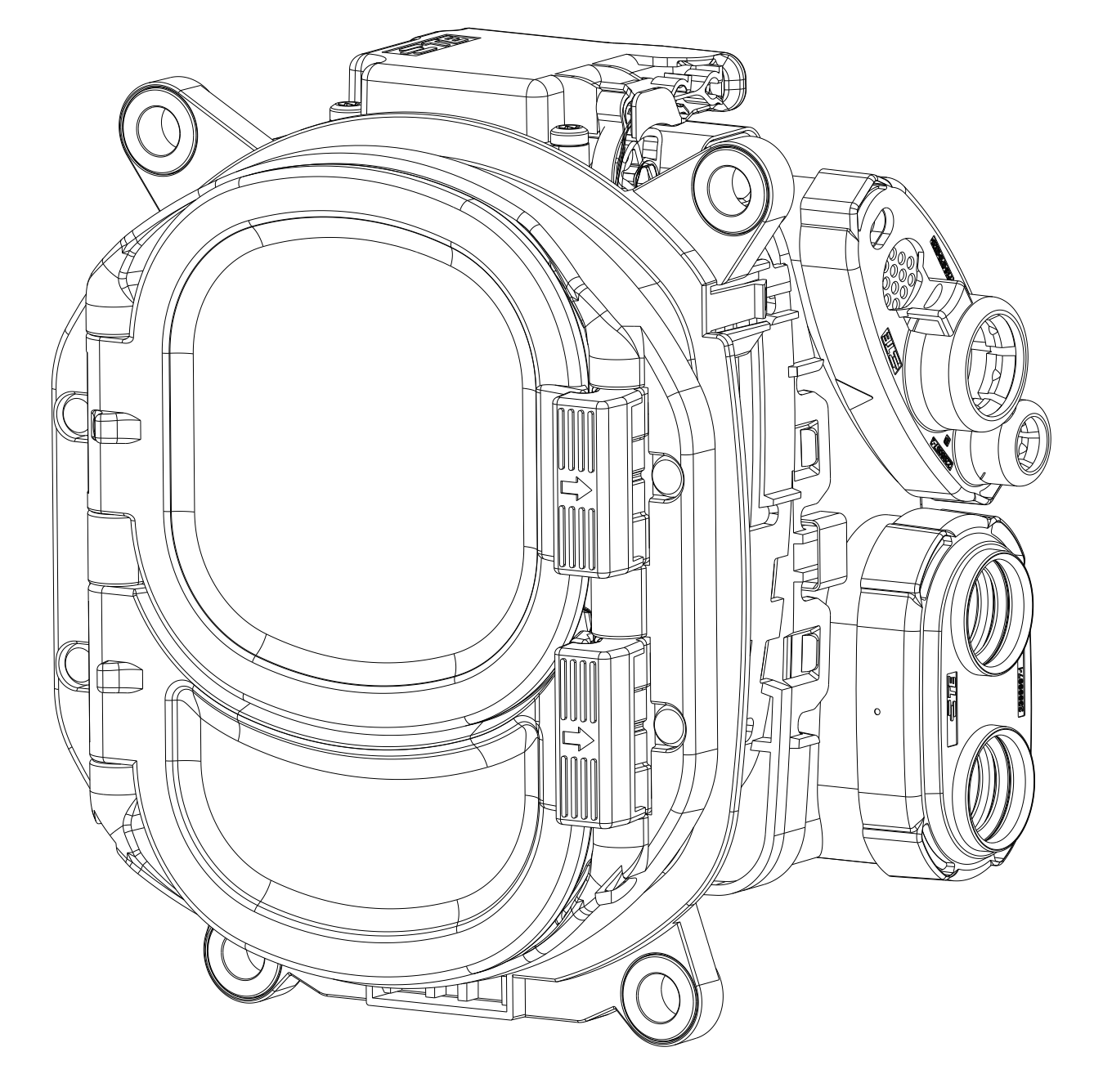
NO FLAP
CABLE EXIT RIGHT
0-2375502-2



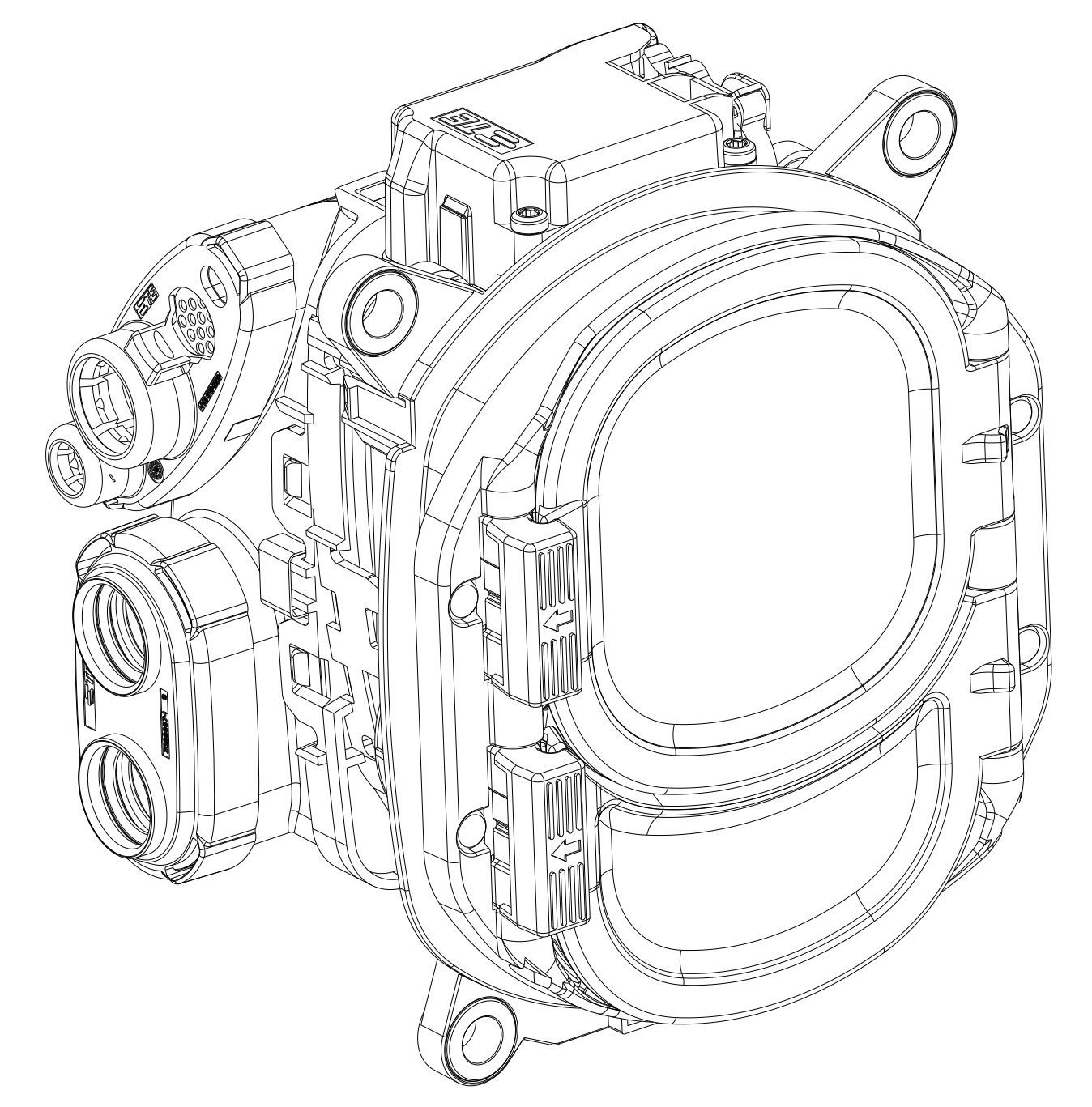
FLAP OPEN LEFT
CABLE EXIT LEFT
0-2375502-3



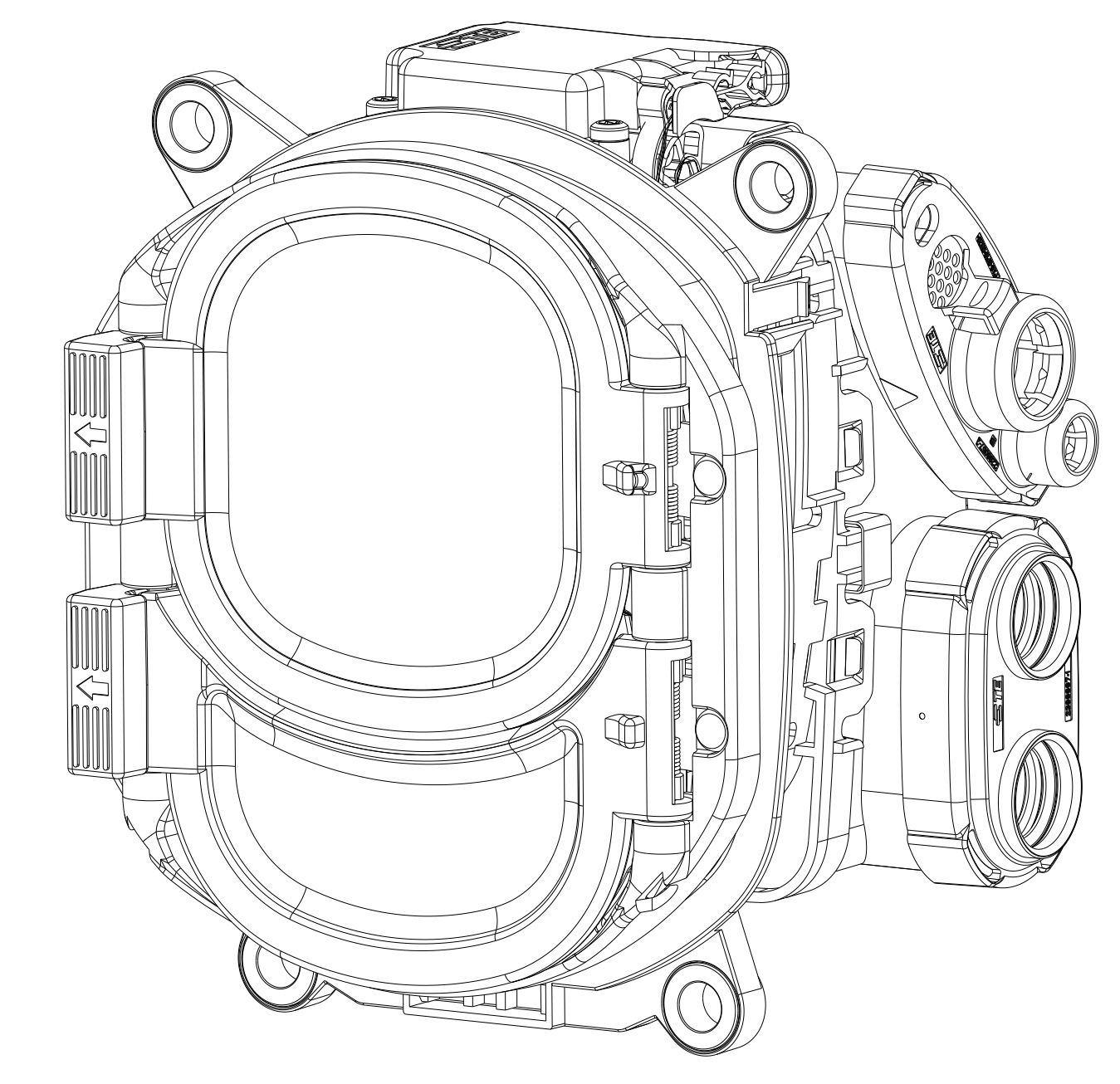
FLAP OPEN LEFT
CABLE EXIT RIGHT
0-2375502-4



FLAP OPEN RIGHT
CABLE EXIT LEFT
0-2375502-5



FLAP OPEN RIGHT
CABLE EXIT RIGHT
0-2375502-6



| | | | | | | | | | |
|---|-------------|----------------|---------------|-----------------|---------------|-----------------|------------------|-----------------|---|
| THIS DRAWING IS A CONTROLLED DOCUMENT. DIMENSIONING AND TOLERANCING PER GPS 1930 STANDARDS. | | DAY: 26AUG2020 | BY: U. Siegel | DATE: 28AUG2020 | BY: S. Kosch | DATE: 28AUG2020 | BY: J. K. Astor | DATE: 28AUG2020 | NAME: CHARGE INLET KIT, COMBO2, 90 DEGREE |
| ITEM: | 0-2375502-1 | 0-2375502-2 | 0-2375502-3 | 0-2375502-4 | 0-2375502-5 | 0-2375502-6 | 0-2375502-7 | 0-2375502-8 | 0-2375502-9 |
| MATERIAL: | FINISH: | WEIGHT: | ANGLE: | SCALE: 1:1 | SHEET: 2 of 2 | REV: B | CUSTOMER DRAWING | | |