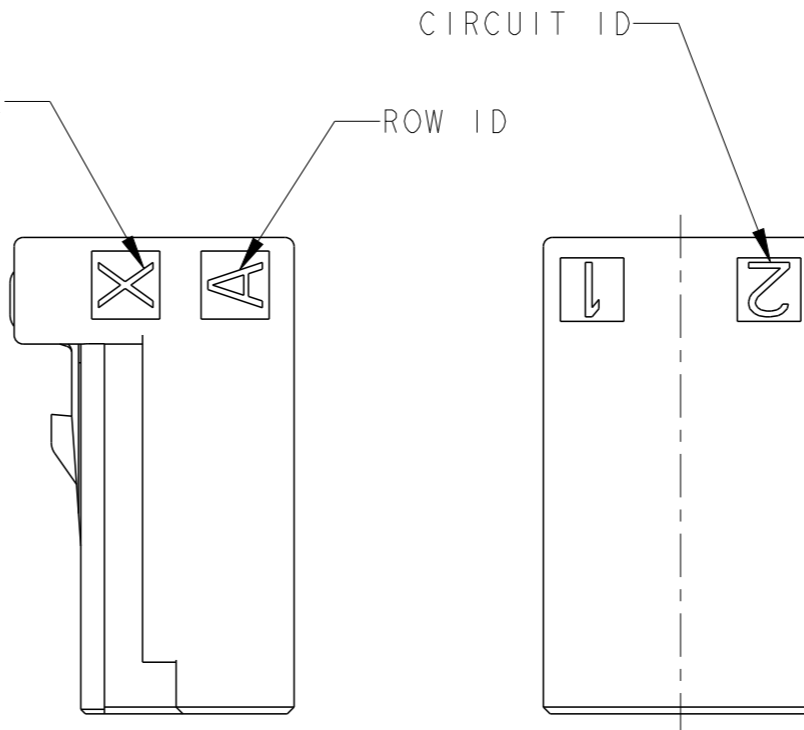
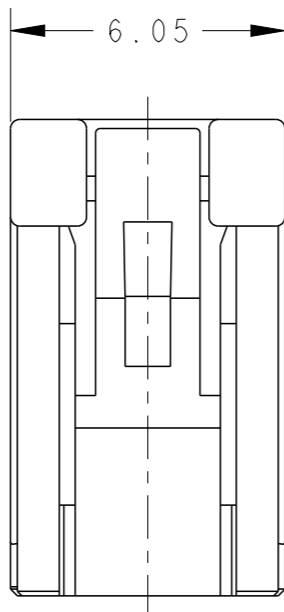
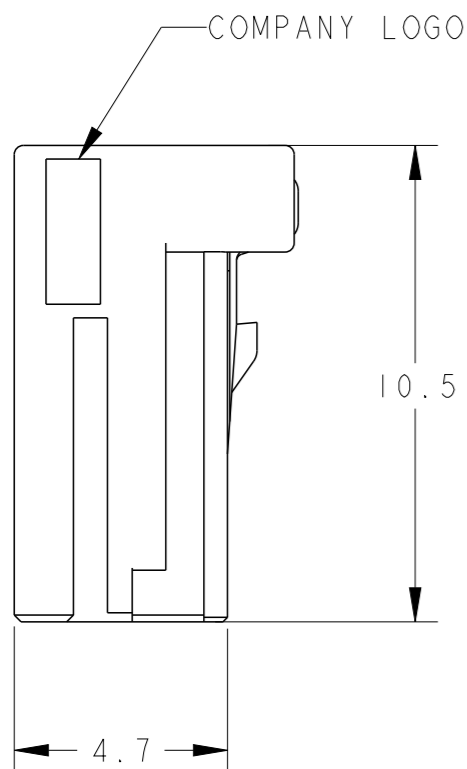
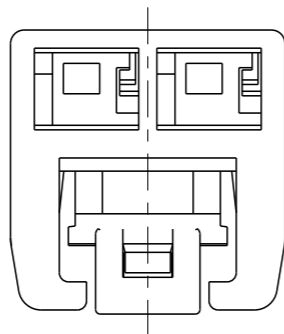


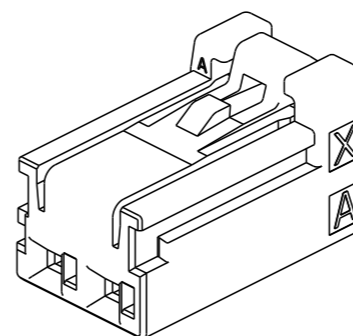
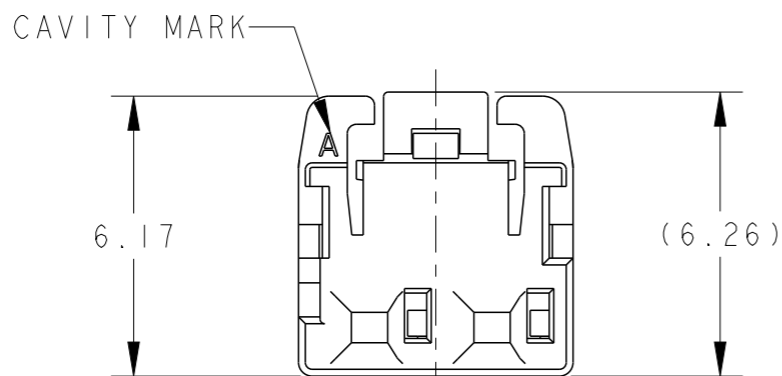
REVISIONS

P	LTR	DESCRIPTION	DATE	DWN	APVD
	A	RELEASED	14SEP2022	Y.O	T.S
	B	REVISED	09MAY2023	H.O	T.S
	C	REVISED	31OCT2023	H.O	T.S

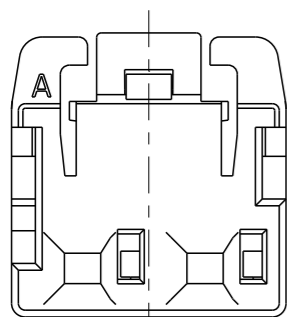
1. MATERIAL: GLASS FILLED THERMO PLASTIC POLYESTER (94V-0), COLOR: BLACK
2. INSTRUCTION SHEET: 408-78197
3. CIRCUIT NUMBER IS CONSISTED ROW ID AND CIRCUIT ID  
EX: A1, A2, B1, B2  
REFER TO SHEET 6




COLOR	KEYING	POSN	PART NUMBER	
BLUE	Y	9	8-2375948-9	
	X		7-2375948-9	
NATURAL	Y		6-2375948-9	
	X		5-2375948-9	
BLACK	Y		2-2375948-9	
	X		1-2375948-9	
BLUE	Y		7	8-2375948-7
	X			7-2375948-7
NATURAL	Y			6-2375948-7
	X	5-2375948-7		
BLACK	Y	2-2375948-7		
	X	1-2375948-7		
BLUE	Y	5		8-2375948-5
	X			7-2375948-5
NATURAL	Y			6-2375948-5
	X		5-2375948-5	
BLACK	Y		2-2375948-5	
	X		1-2375948-5	
BLUE	Y		3	8-2375948-3
	X			7-2375948-3
NATURAL	Y			6-2375948-3
	X	5-2375948-3		
BLACK	Y	2-2375948-3		
	X	1-2375948-3		
BLUE	Y	2		8-2375948-2
	X			7-2375948-2
NATURAL	Y			6-2375948-2
	X		5-2375948-2	
BLACK	Y		2-2375948-2	
	X		1-2375948-2	



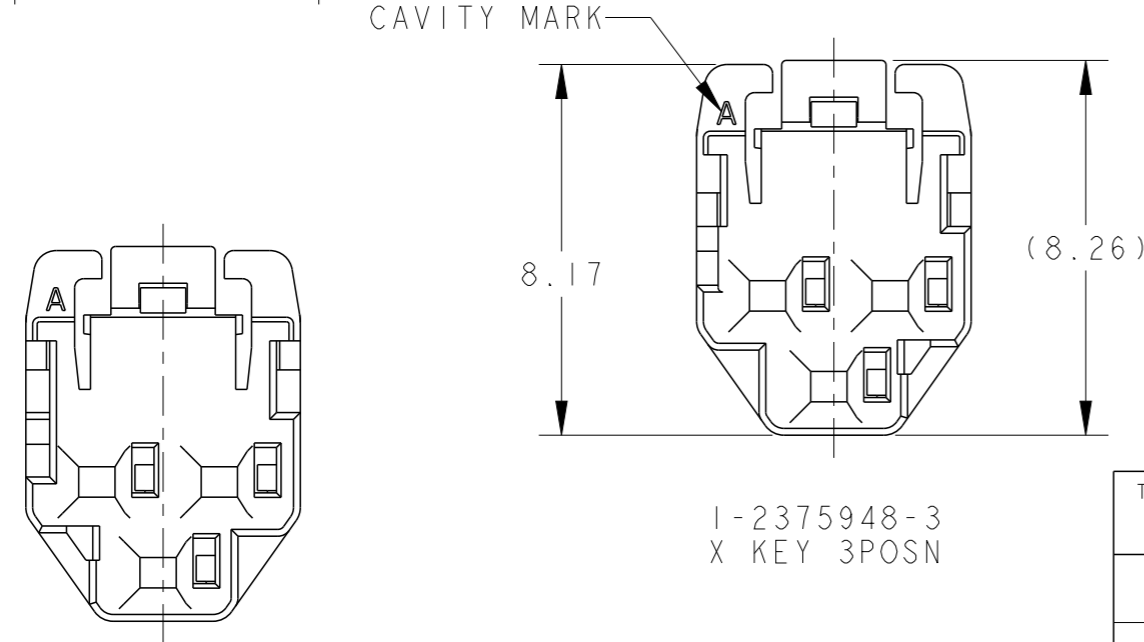
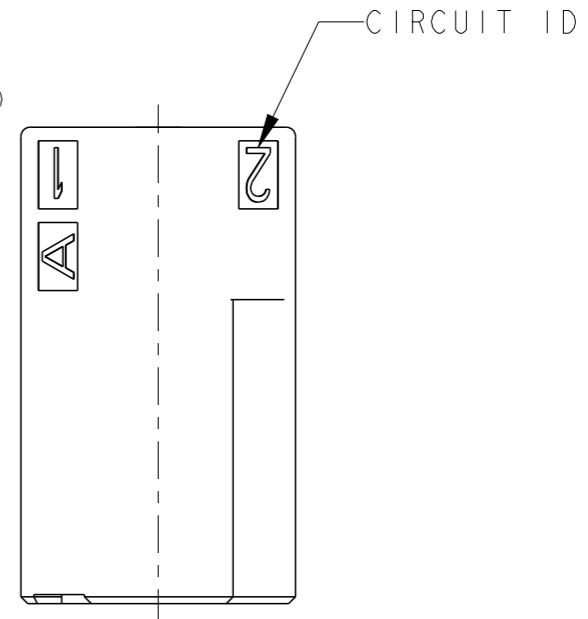
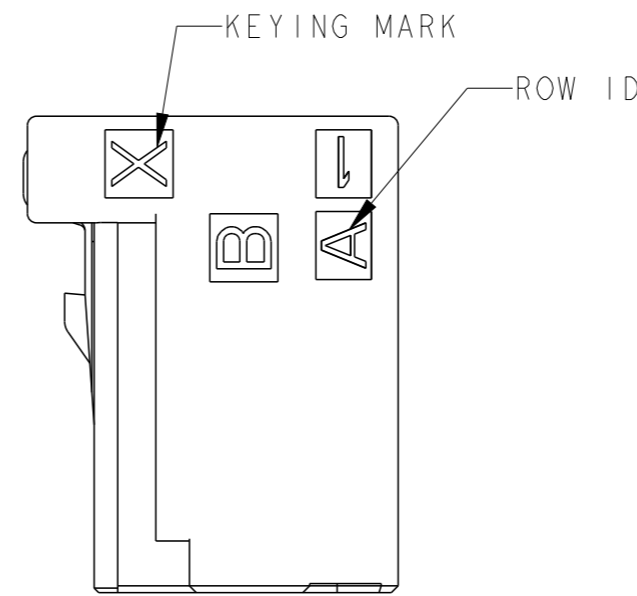
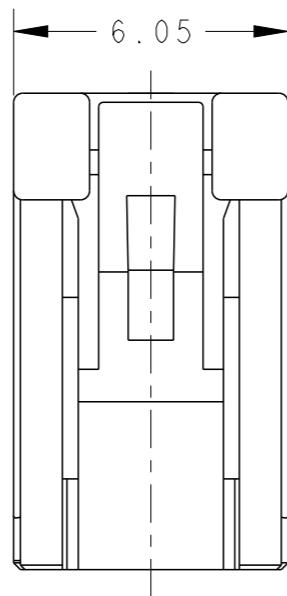
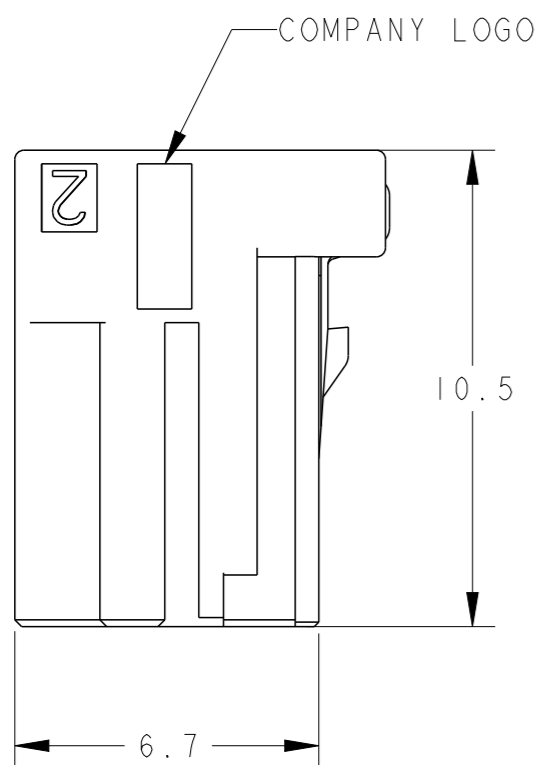
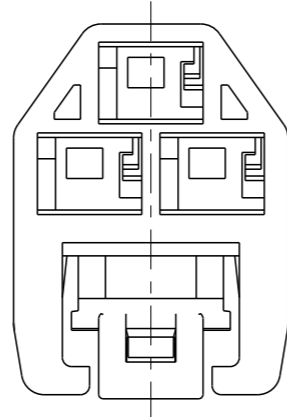
1-2375948-2  
X KEY 2 POSN



2-2375948-2  
Y KEY 2 POSN

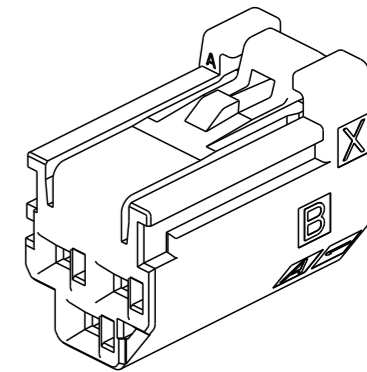
THIS DRAWING IS A CONTROLLED DOCUMENT.		DWN Y. OKADA 12MAY2020	 TE Connectivity													
DIMENSIONS: mm		CHK T. SHIMOYASU 12MAY2020														
TOLERANCES UNLESS OTHERWISE SPECIFIED: ±0.5, ±3°		APVD E. IKEMATSU 12MAY2020	NAME RECEPTACLE HOUSING, D1000 SLIM, DYNAMIC													
<table border="1"> <tr><td>0 PLC</td><td>±</td></tr> <tr><td>1 PLC</td><td>±0.5</td></tr> <tr><td>2 PLC</td><td>±0.13</td></tr> <tr><td>3 PLC</td><td>±0.013</td></tr> <tr><td>4 PLC</td><td>±0.0001</td></tr> <tr><td>ANGLES</td><td>±</td></tr> </table>		0 PLC	±	1 PLC	±0.5	2 PLC	±0.13	3 PLC	±0.013	4 PLC	±0.0001	ANGLES	±	PRODUCT SPEC 108-140257	SIZE A3	
0 PLC	±															
1 PLC	±0.5															
2 PLC	±0.13															
3 PLC	±0.013															
4 PLC	±0.0001															
ANGLES	±															
MATERIAL SEE NOTE		APPLICATION SPEC -	CAGE CODE 00779	DRAWING NO C-2375948												
FINISH -		WEIGHT -	RESTRICTED TO -													
-		CUSTOMER DRAWING	SCALE 6:1	SHEET 1 OF 6												
			REV C													

P	LTR	DESCRIPTION	DATE	DWN	APVD
	-	SEE SHEET 1	-	-	-



2-2375948-3  
Y KEY 3POSN

1-2375948-3  
X KEY 3POSN



SCALE 4:1

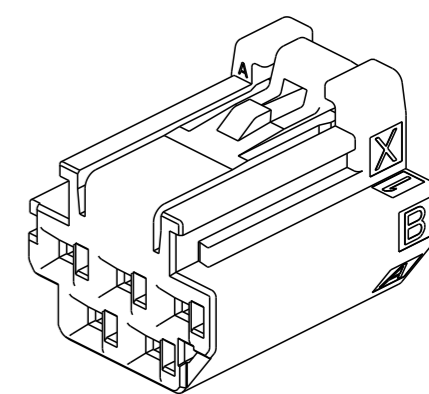
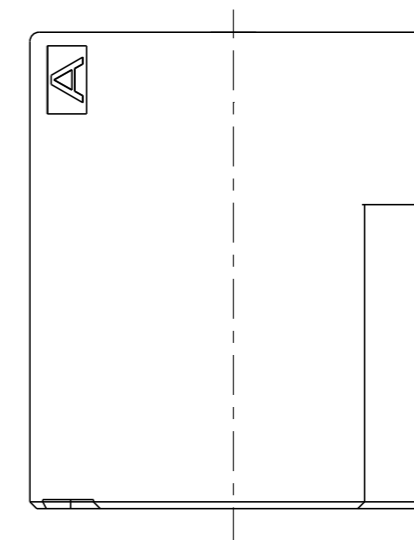
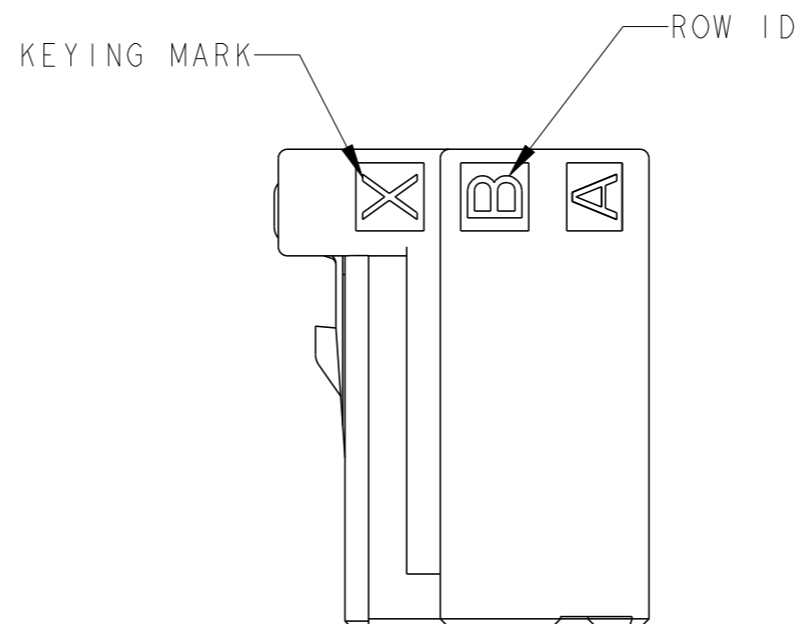
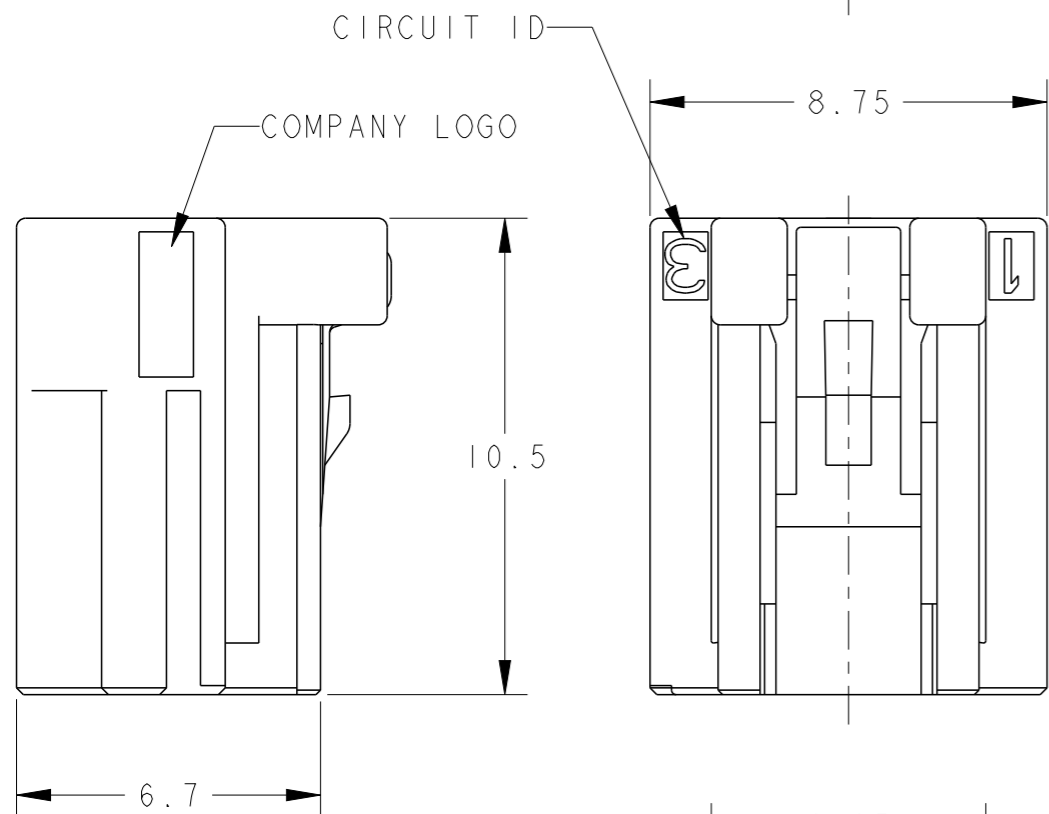
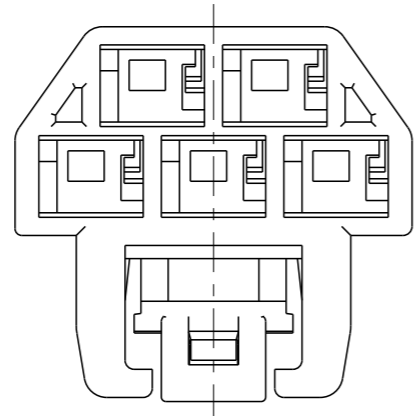
THIS DRAWING IS A CONTROLLED DOCUMENT.

DIMENSIONS: mm	TOLERANCES UNLESS OTHERWISE SPECIFIED: ±0.5, ±3°
	0-PLC ±-
	1-PLC ±0.5
	2-PLC ±0.13
	3-PLC ±0.013
	4-PLC ±0.0001
	ANGLES ±-
MATERIAL SEE NOTE	FINISH -

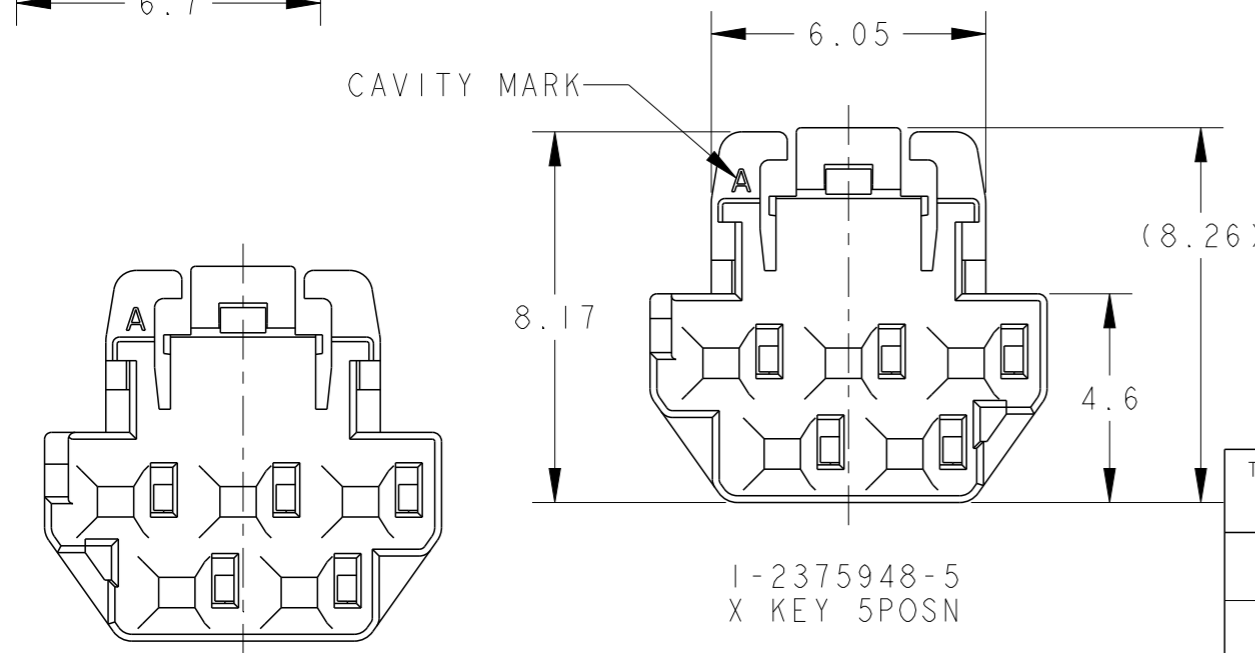
DWN Y. OKADA	12MAY2020
CHK T. SHIMOYASU	12MAY2020
APVD E. IKEMATSU	12MAY2020
PRODUCT SPEC	108-140257
APPLICATION SPEC	-
WEIGHT	-
CUSTOMER DRAWING	

		NAME RECEPTACLE HOUSING, D1000 SLIM, DYNAMIC	
		SIZE A3	CAGE CODE 00779
DRAWING NO C-2375948		RESTRICTED TO -	
SCALE 6:1		SHEET 2 OF 6	
		REV C	

P	LTR	DESCRIPTION	DATE	DWN	APVD
	-	SEE SHEET 1	-	-	-



SCALE 4:1



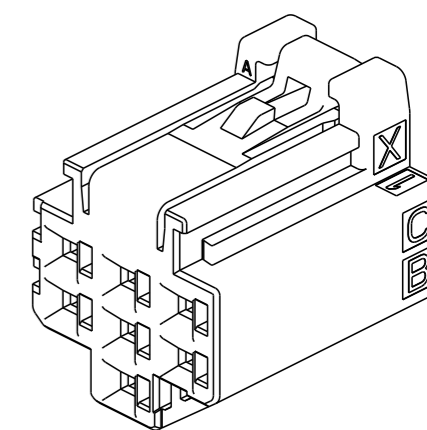
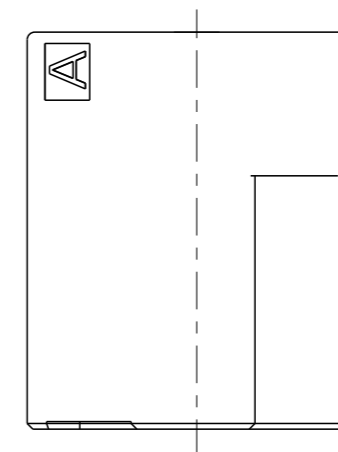
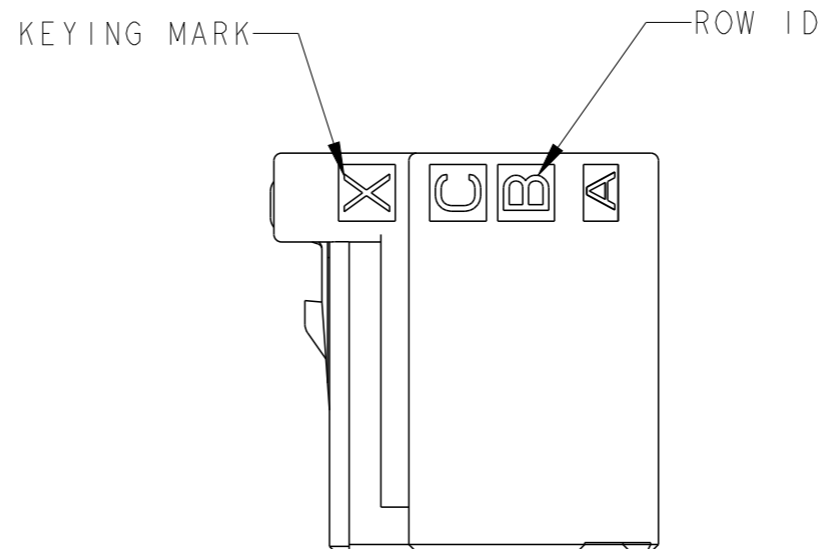
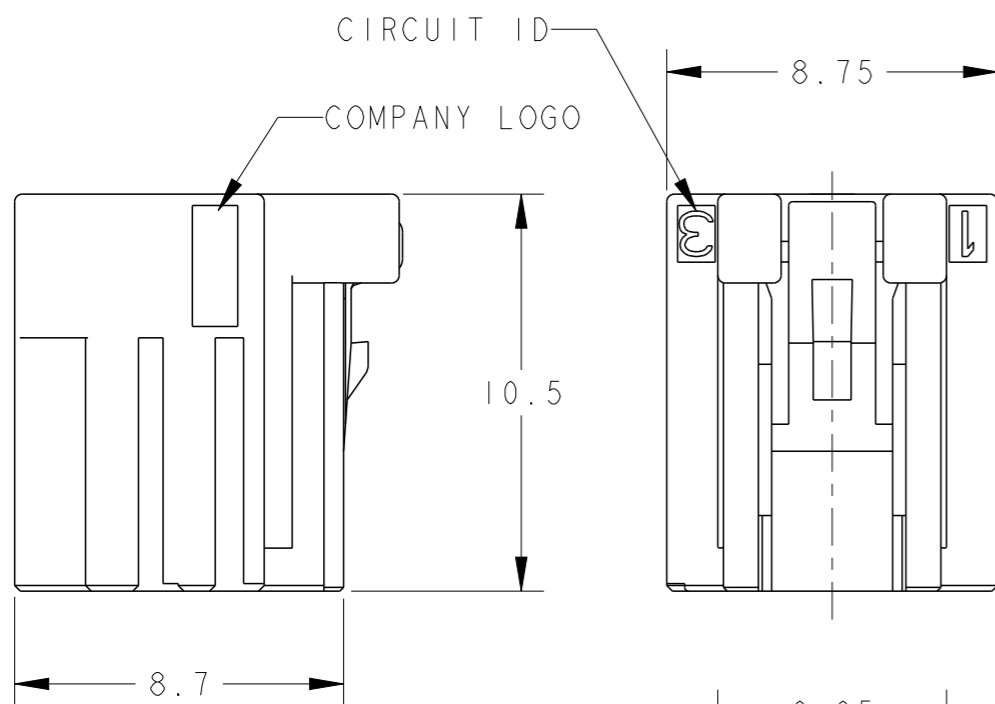
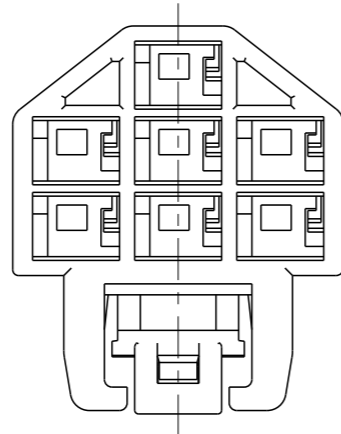
1-2375948-5  
X KEY 5POSN

2-2375948-5  
Y KEY 5POSN

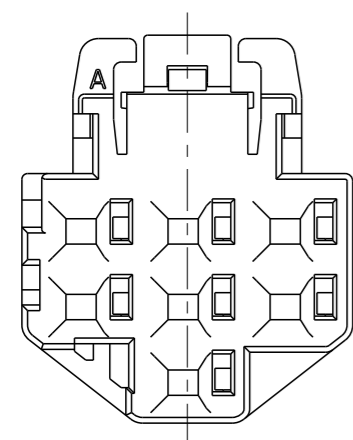
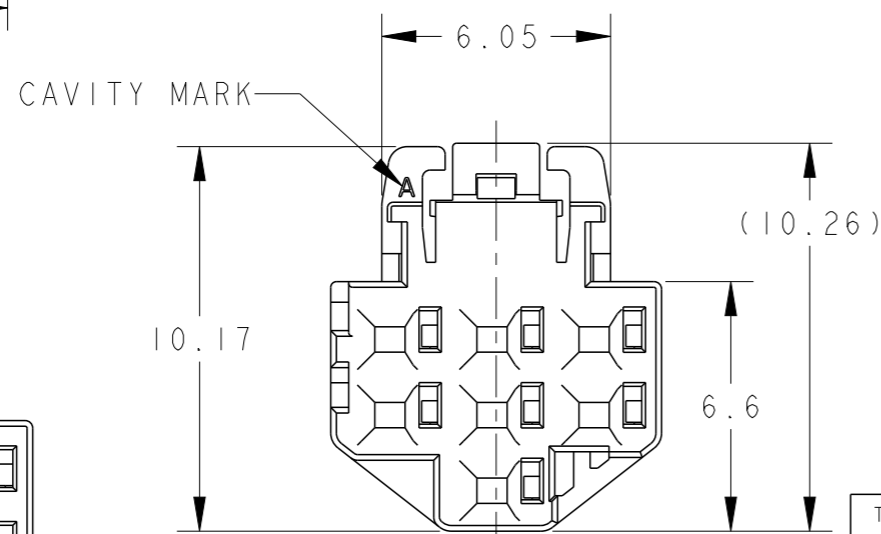
THIS DRAWING IS A CONTROLLED DOCUMENT.		DWN H. OSABE 09MAY2023		
DIMENSIONS: mm		CHK T. SHIMOYASU 09MAY2023		
TOLERANCES UNLESS OTHERWISE SPECIFIED: ± 0.5, ± 3°		APVD T. SHIMOYASU 09MAY2023	NAME RECEPTACLE HOUSING, D1000 SLIM, DYNAMIC	
<ul style="list-style-type: none"> <li>0 PLC ±</li> <li>1 PLC ±0.5</li> <li>2 PLC ±0.13</li> <li>3 PLC ±0.013</li> <li>4 PLC ±0.0001</li> <li>ANGLES ±</li> </ul>		PRODUCT SPEC 108-140257	SIZE A3	
MATERIAL SEE NOTE		APPLICATION SPEC -	CAGE CODE 300779	DRAWING NO C-2375948
FINISH -		WEIGHT -	RESTRICTED TO -	
-		CUSTOMER DRAWING	SCALE 6:1	SHEET 3 OF 6
			REV C	

REVISIONS

P	LTR	DESCRIPTION	DATE	DWN	APVD
	-	SEE SHEET 1	-	-	-



SCALE 4:1



2-2375948-7  
Y KEY 7POSN

1-2375948-7  
X KEY 7POSN

THIS DRAWING IS A CONTROLLED DOCUMENT.

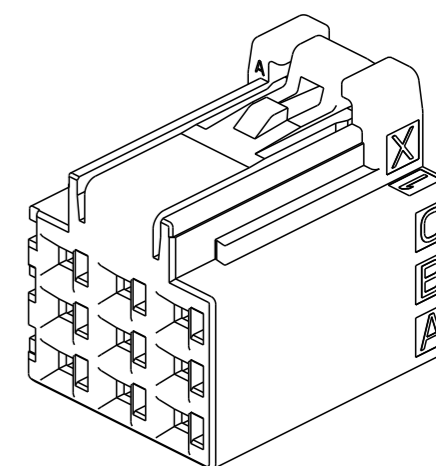
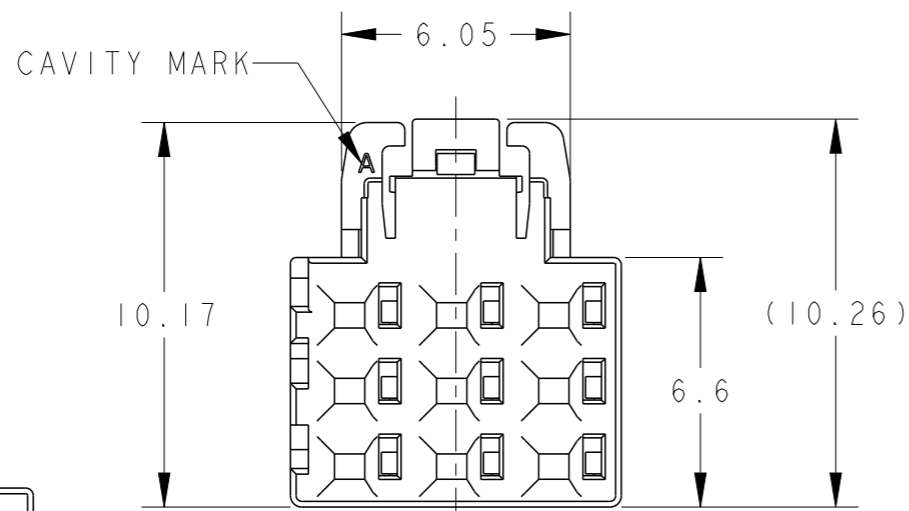
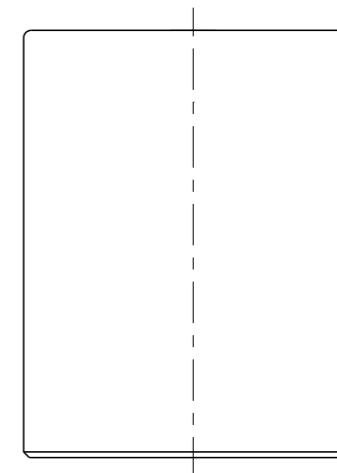
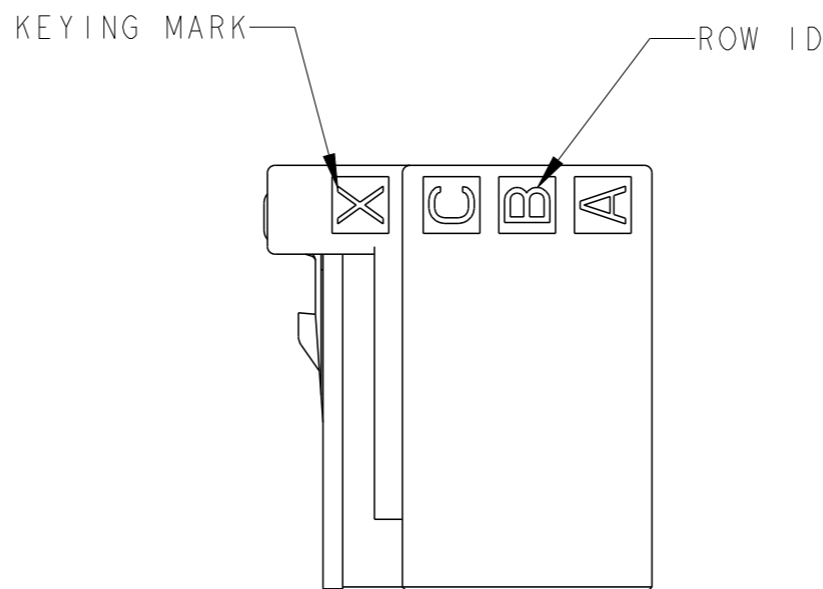
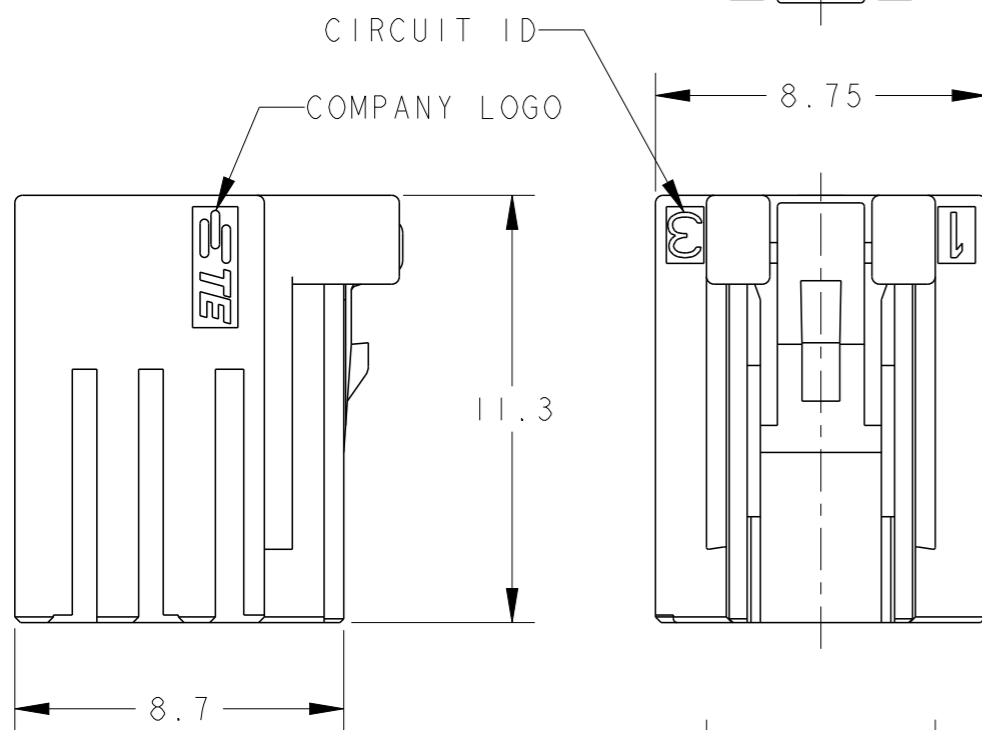
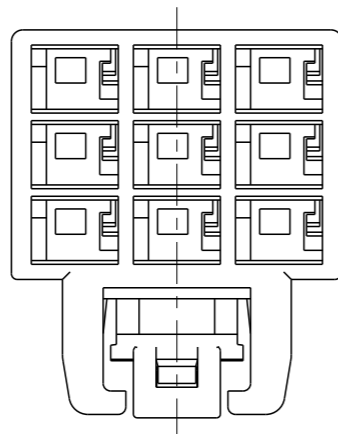
DIMENSIONS: mm	TOLERANCES UNLESS OTHERWISE SPECIFIED: ±0.5, ±3°
	<ul style="list-style-type: none"> <li>0 PLC ±</li> <li>1 PLC ±0.5</li> <li>2 PLC ±0.13</li> <li>3 PLC ±0.013</li> <li>4 PLC ±0.0001</li> <li>ANGLES ±</li> </ul>
MATERIAL SEE NOTE	FINISH -

DWN	H.OSABE	09MAY2023
CHK	T.SHIMOYASU	09MAY2023
APVD	T.SHIMOYASU	09MAY2023
PRODUCT SPEC	108-140257	
APPLICATION SPEC	-	
WEIGHT	-	
CUSTOMER DRAWING		

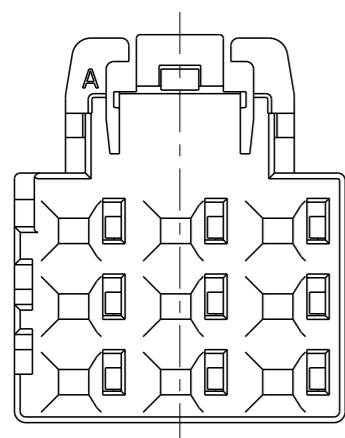


NAME RECEPTACLE HOUSING, D1000 SLIM, DYNAMIC			RESTRICTED TO
SIZE A3	CAGE CODE 00779	DRAWING NO C-2375948	-
SCALE 6:1	SHEET 4 OF 6	REV C	

P	LTR	DESCRIPTION	DATE	DWN	APVD
	-	SEE SHEET 1	-	-	-



SCALE 4:1



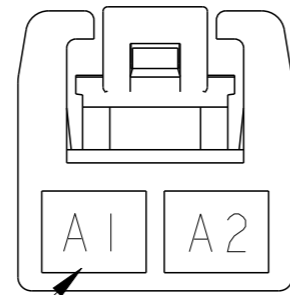
2-2375948-9  
Y KEY 9POSN

1-2375948-9  
X KEY 9POSN

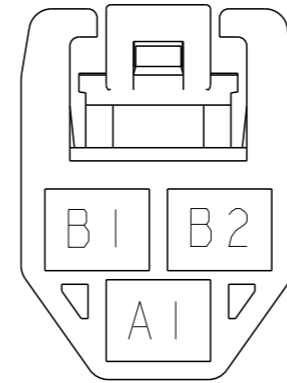
THIS DRAWING IS A CONTROLLED DOCUMENT.		DWN H. OSABE 09MAY2023			
DIMENSIONS: mm		CHK T. SHIMOYASU 09MAY2023			
		APVD T. SHIMOYASU 09MAY2023	NAME RECEPTACLE HOUSING, D1000 SLIM, DYNAMIC		
TOLERANCES UNLESS OTHERWISE SPECIFIED: ± 0.5, ± 3° 0 PLC ± 1 PLC ±0.5 2 PLC ±0.13 3 PLC ±0.013 4 PLC ±0.0001 ANGLES ±		PRODUCT SPEC 108-140257	SIZE A3	CAGE CODE 00779	DRAWING NO C-2375948
MATERIAL SEE NOTE		APPLICATION SPEC -	RESTRICTED TO -		
FINISH -		WEIGHT -	SCALE 6:1		
		CUSTOMER DRAWING	SHEET 5 OF 6		
			REV C		

REVISIONS

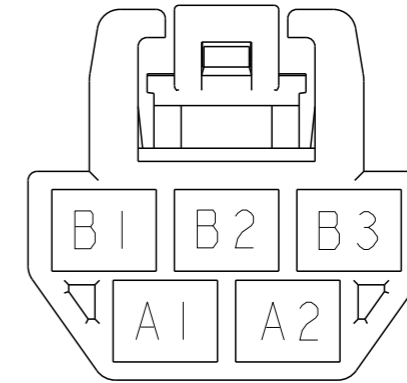
P	LTR	DESCRIPTION	DATE	DWN	APVD
	-	SEE SHEET 1	-	-	-



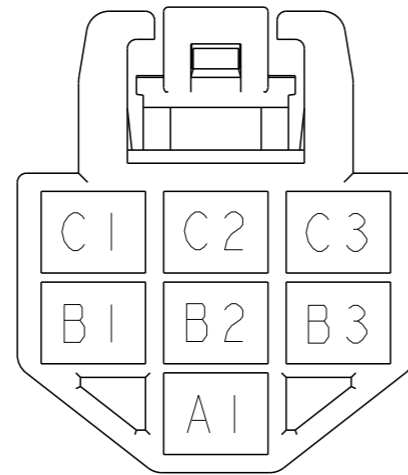
CIRCUIT NUMBER 2 POSN



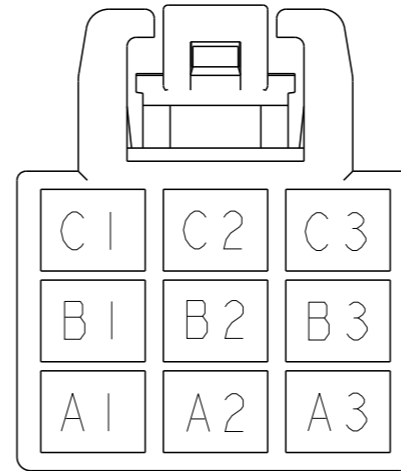
3 POSN



5 POSN



7 POSN



9 POSN

THIS DRAWING IS A CONTROLLED DOCUMENT.		DWN Y. OKADA 12MAY2020		
DIMENSIONS: mm		CHK T. SHIMOYASU 12MAY2020		
		APVD E. IKEMATSU 12MAY2020	NAME RECEPTACLE HOUSING, D1000 SLIM, DYNAMIC	
TOLERANCES UNLESS OTHERWISE SPECIFIED: ±0.5, ±3°		PRODUCT SPEC 108-140257	RESTRICTED TO	
MATERIAL SEE NOTE		APPLICATION SPEC -	SIZE A3	CAGE CODE 00779
FINISH -		WEIGHT -	DRAWING NO C-2375948	SCALE 6:1
		CUSTOMER DRAWING	SHEET 6 OF 6	REV C