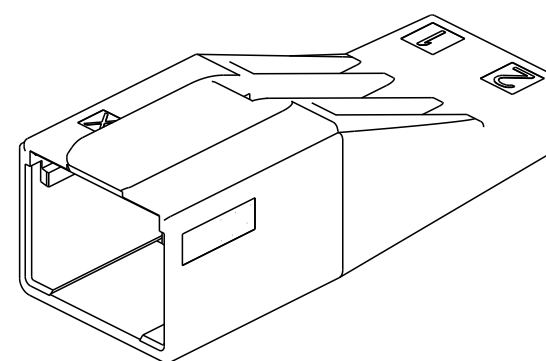
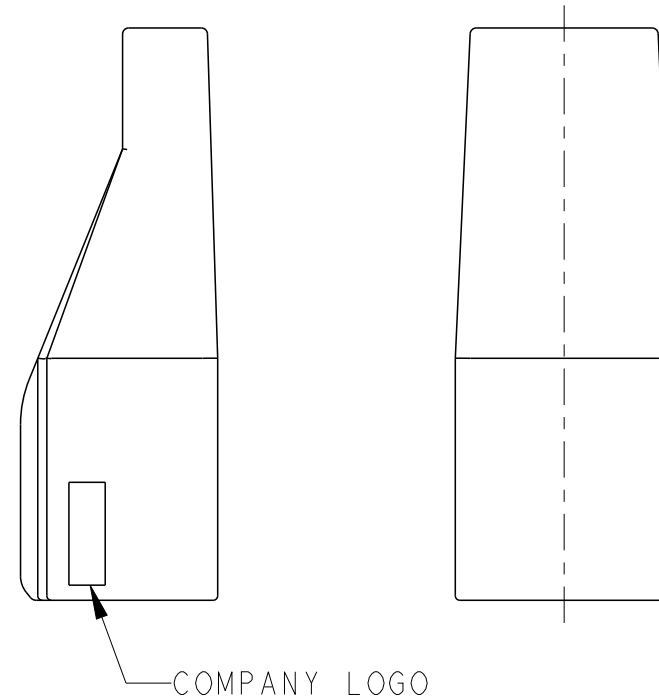
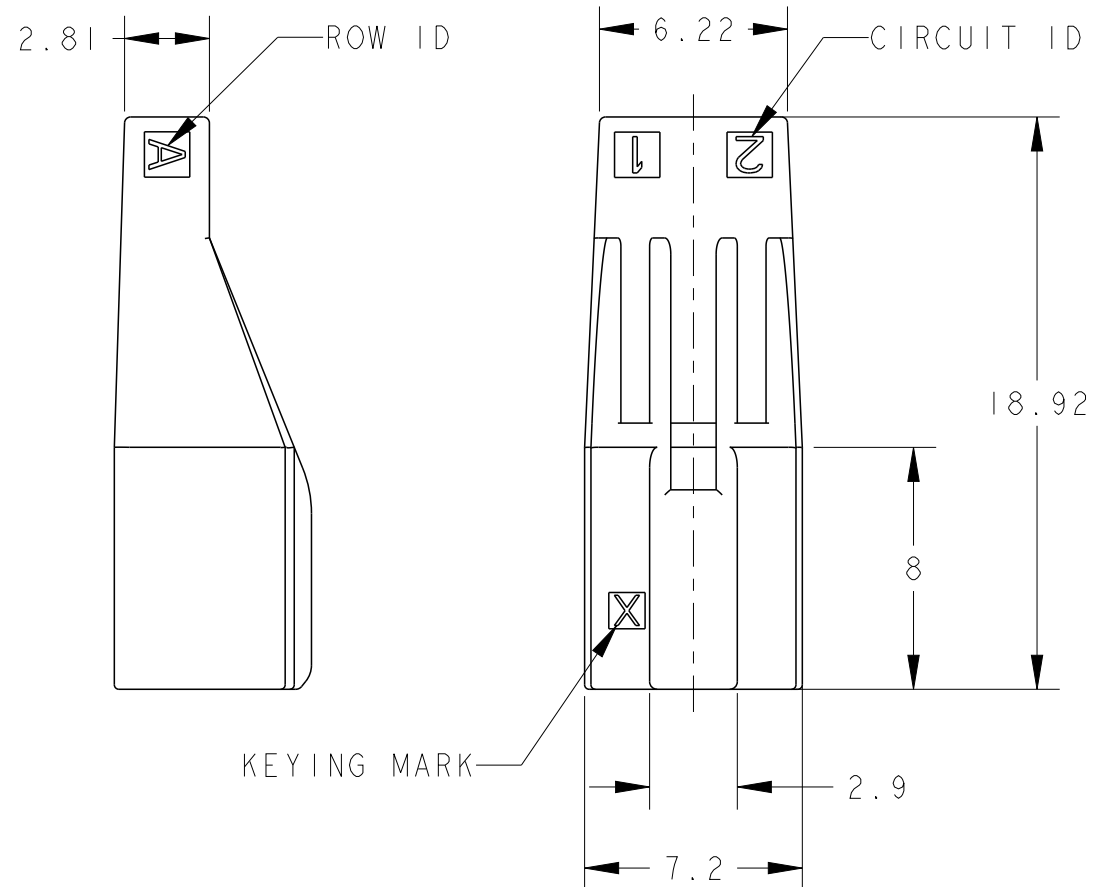
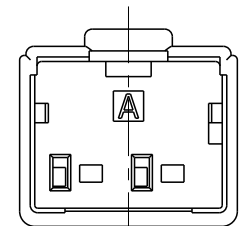
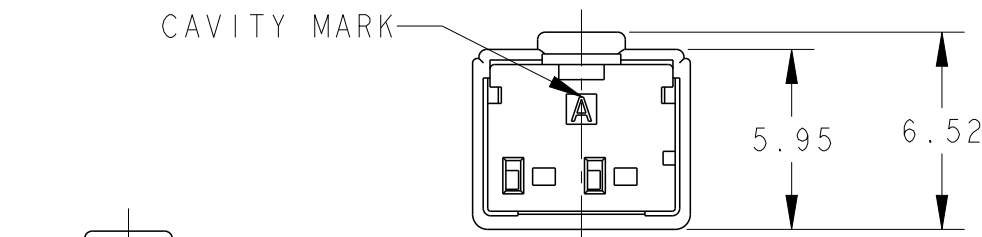


1. MATERIAL: GLASS FILED THERMO PLASTIC
POLYESTER(94V-0),
COLOR: BLACK
2. INSTRUCTION SHEET: 408-78197
3. CIRCUIT NUMBER IS CONSISTED ROW ID
AND CIRCUIT ID
EX: A1, A2, B1, B2
REFER TO SHEET 6

REVISIONS					
P	LTR	DESCRIPTION	DATE	DWN	APVD
	A	RELEASED	14SEP2022	Y.O	T.S
	B	REVISED	09MAY2023	H.O	T.S
	C	REVISED	31OCT2023	H.O	T.S




COLOR	KEYING	POSN	PART NUMBER	
BLUE	Y	9	8-2375951-9	
	X		7-2375951-9	
NATURAL	Y		6-2375951-9	
	X		5-2375951-9	
BLACK	Y		2-2375951-9	
	X		1-2375951-9	
BLUE	Y		7	8-2375951-7
	X			7-2375951-7
NATURAL	Y			6-2375951-7
	X	5-2375951-7		
BLACK	Y	2-2375951-7		
	X	1-2375951-7		
BLUE	Y	5		8-2375951-5
	X			7-2375951-5
NATURAL	Y			6-2375951-5
	X		5-2375951-5	
BLACK	Y		2-2375951-5	
	X		1-2375951-5	
BLUE	Y		3	8-2375951-3
	X			7-2375951-3
NATURAL	Y			6-2375951-3
	X	5-2375951-3		
BLACK	Y	2-2375951-3		
	X	1-2375951-3		
BLUE	Y	2		8-2375951-2
	X			7-2375951-2
NATURAL	Y			6-2375951-2
	X		5-2375951-2	
BLACK	Y		2-2375951-2	
	X		1-2375951-2	

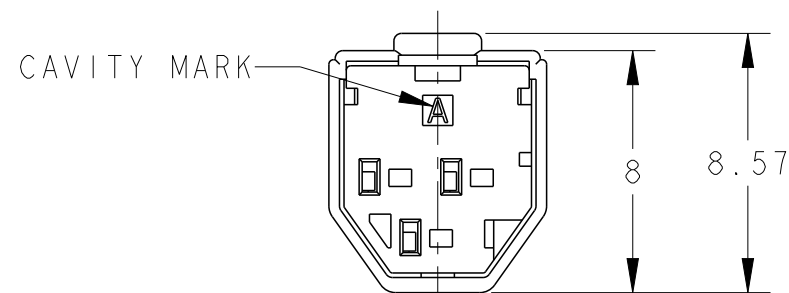
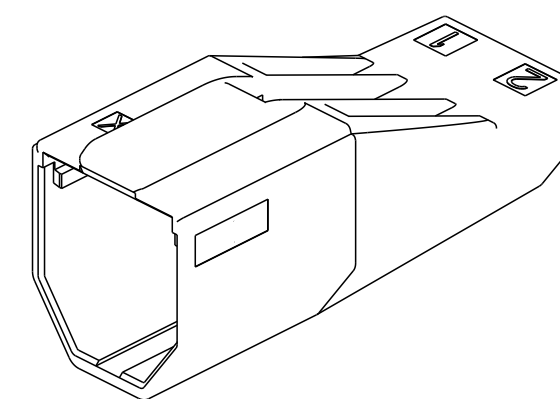
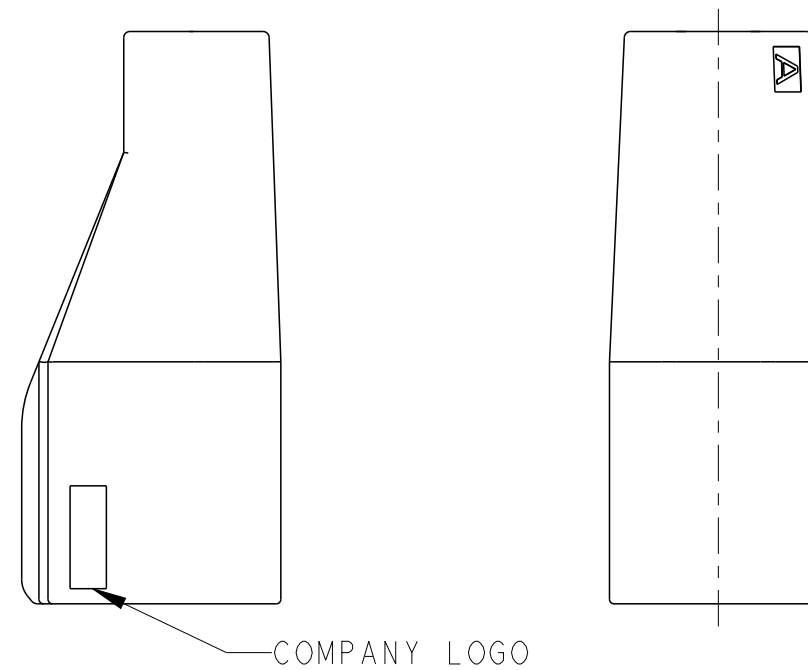
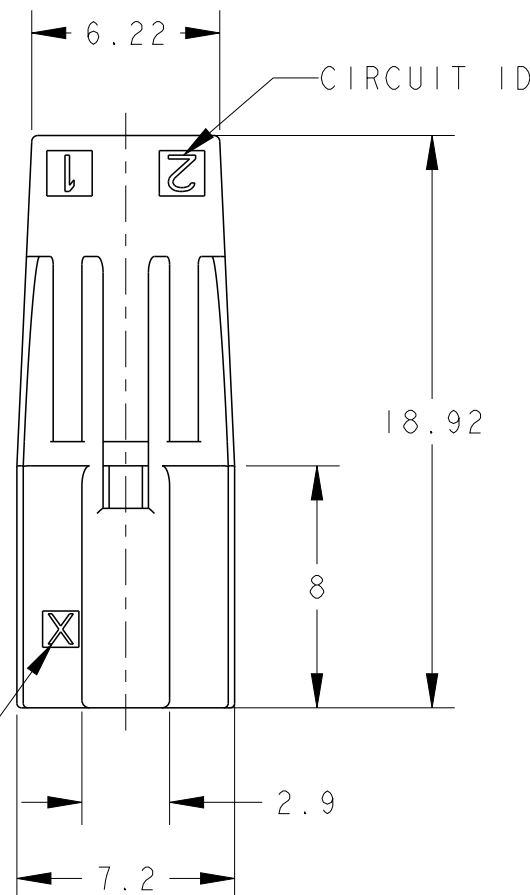
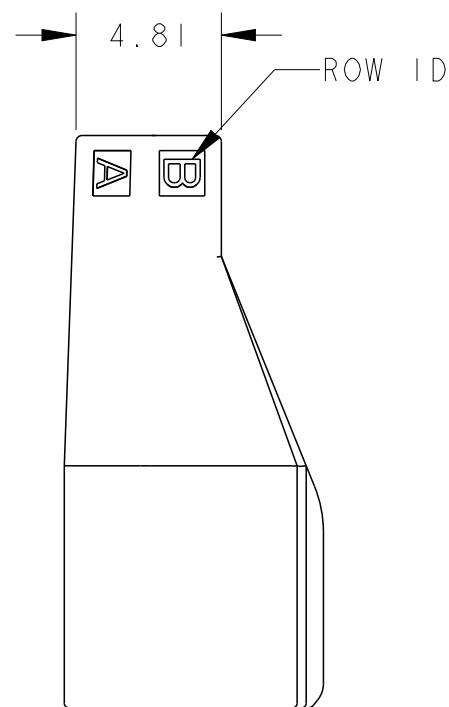
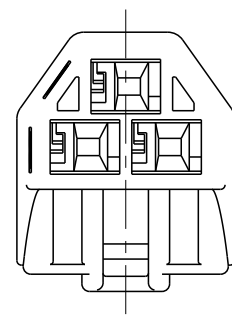


2-2375951-2
Y KEY 2POSN

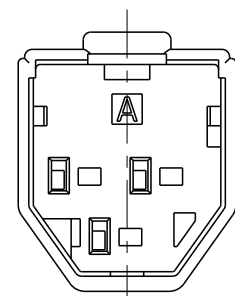
1-2375951-2
X KEY 2POSN

THIS DRAWING IS A CONTROLLED DOCUMENT.		DWN Y. OKADA 02 JUL 2020	 TE Connectivity	
DIMENSIONS: mm		CHK T. SHIMOYASU 02 JUL 2020		
TOLERANCES UNLESS OTHERWISE SPECIFIED: ±0.5, ±3°		APVD E. IKEMATSU 02 JUL 2020	NAME TAB HOUSING, D1000 SLIM, DYNAMIC	
0 PLC ± 1 PLC ±0.5 2 PLC ±0.13 3 PLC ±0.013 4 PLC ±0.0001 ANGLES ± FINISH -		PRODUCT SPEC 108-140257	RESTRICTED TO	
MATERIAL SEE NOTE		APPLICATION SPEC -	SIZE A3	CAGE CODE 00779
		WEIGHT -	DRAWING NO C-2375951	
		CUSTOMER DRAWING	SCALE 4:1	SHEET 1 OF 6
				REV C


P	LTR	DESCRIPTION	DATE	DWN	APVD
	-	SEE SHEET 1	-	-	-



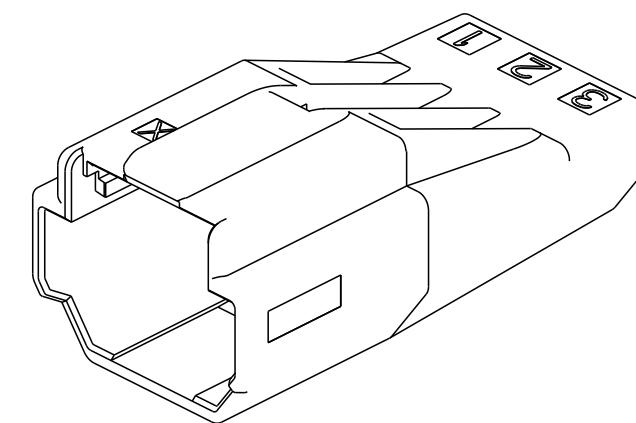
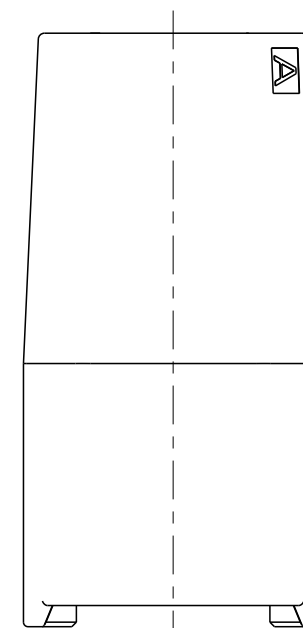
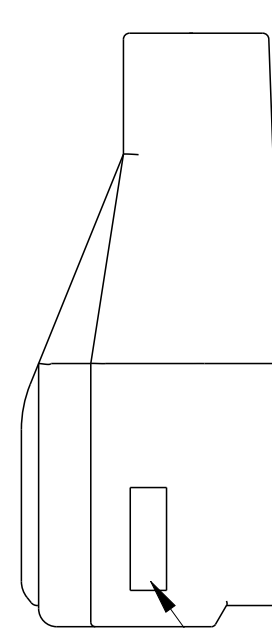
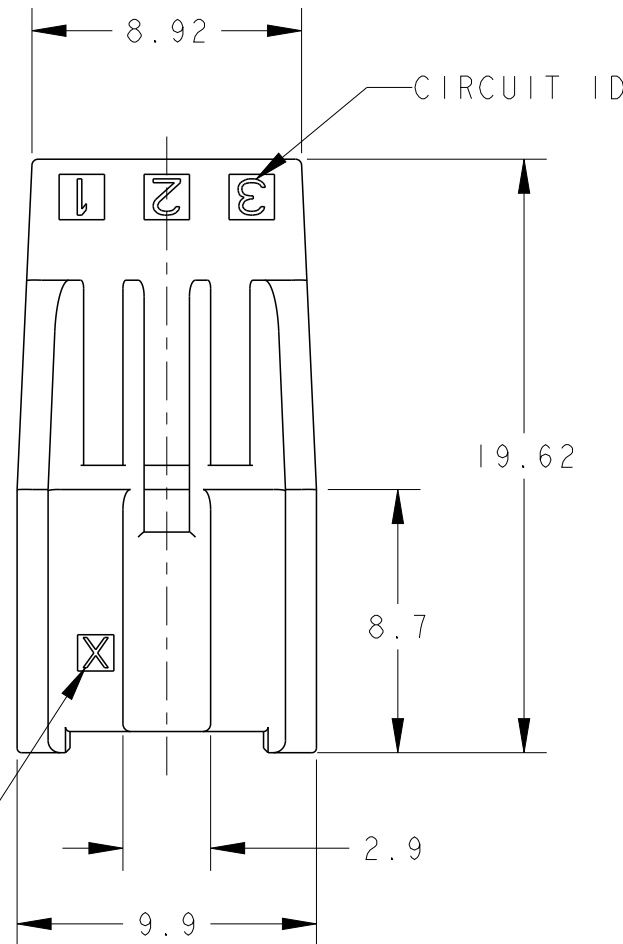
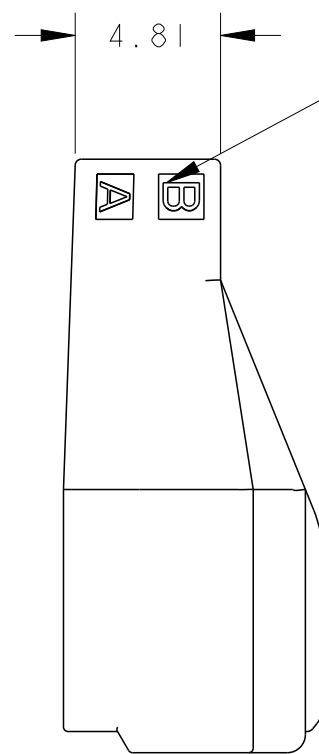
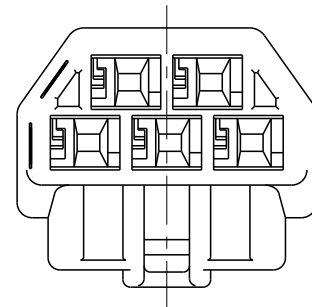
1-2375951-3
X KEY 3POSN



2-2375951-3
Y KEY 3POSN

THIS DRAWING IS A CONTROLLED DOCUMENT.		DWN Y. OKADA 02 JUL 2020	 TE Connectivity		
DIMENSIONS: mm		CHK T. SHIMOYASU 02 JUL 2020			
TOLERANCES UNLESS OTHERWISE SPECIFIED: $\pm 0.5, \pm 3^\circ$		APVD E. IKEMATSU 02 JUL 2020	NAME TAB HOUSING, D1000 SLIM, DYNAMIC		
0-PLC \pm 1-PLC ± 0.5 2-PLC ± 0.13 3-PLC ± 0.013 4-PLC ± 0.0001 ANGLES \pm		PRODUCT SPEC 108-140257	DRAWING NO -		
MATERIAL SEE NOTE		APPLICATION SPEC -	SIZE A3	CAGE CODE 00779	DRAWING NO C-2375951
FINISH -		WEIGHT -	RESTRICTED TO -		
-		CUSTOMER DRAWING	SCALE 4:1	SHEET 2 OF 6	REV C

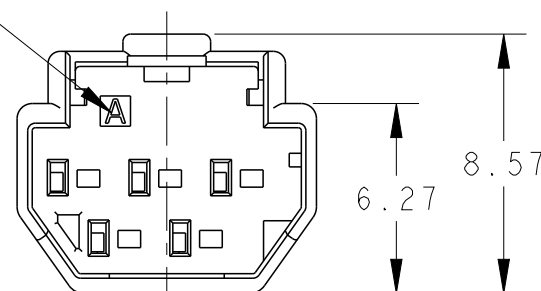
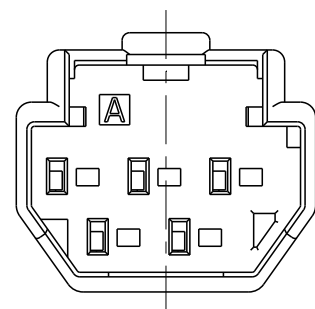
P	LTR	DESCRIPTION	DATE	DWN	APVD
	-	SEE SHEET 1	-	-	-



KEYING MARK

COMPANY LOGO

CAVITY MARK



1-2375951-5
X KEY 5POSN

2-2375951-5
Y KEY 5POSN

THIS DRAWING IS A CONTROLLED DOCUMENT.

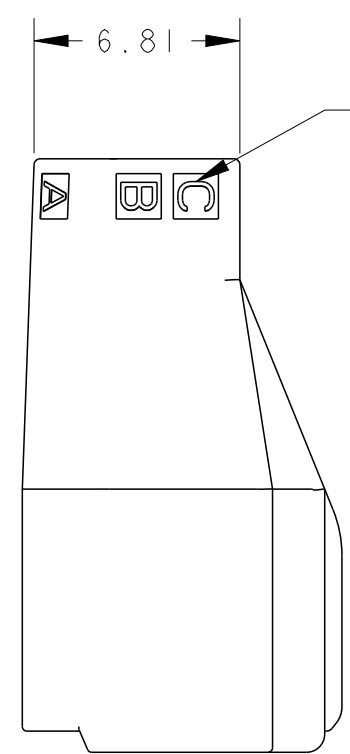
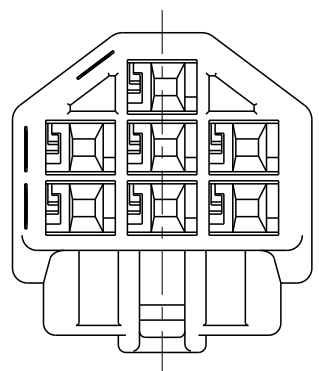
DIMENSIONS: mm	TOLERANCES UNLESS OTHERWISE SPECIFIED: ±0.5, ±3°
	0-PLC ±-
	1-PLC ±0.5
	2-PLC ±0.13
	3-PLC ±0.013
	4-PLC ±0.0001
	ANGLES ±-
MATERIAL SEE NOTE	FINISH -

DWN	H.OSABE	09MAY2023
CHK	T.SHIMOYASU	09MAY2023
APVD	T.SHIMOYASU	09MAY2023
PRODUCT SPEC	108-140257	
APPLICATION SPEC	-	
WEIGHT	-	
CUSTOMER DRAWING		

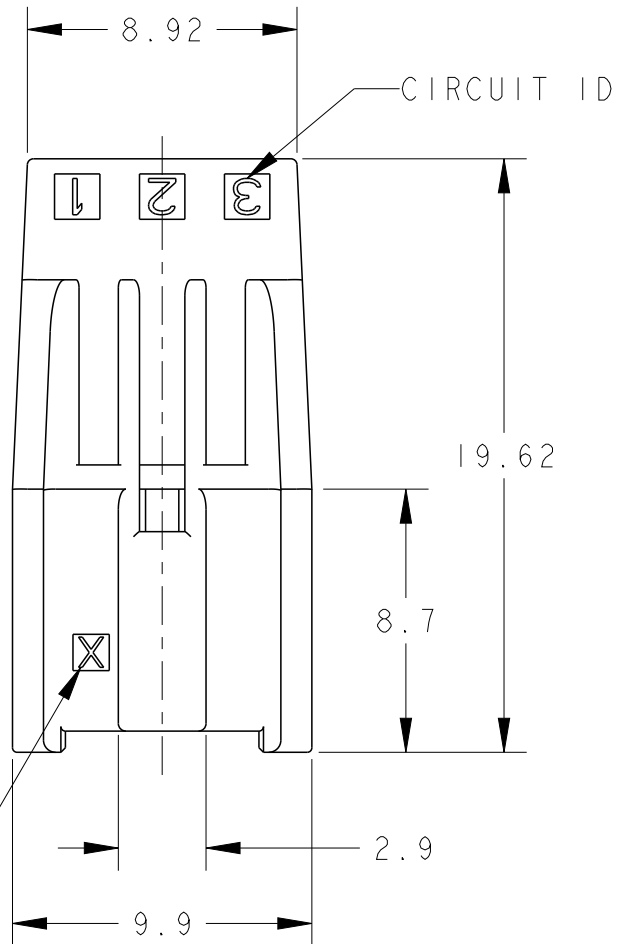


NAME TAB HOUSING, D1000 SLIM, DYNAMIC			RESTRICTED TO
SIZE A3	CAGE CODE 300779	DRAWING NO C-2375951	-
SCALE 4:1	SHEET 3 OF 6	REV C	

P	LTR	DESCRIPTION	DATE	DWN	APVD
	-	SEE SHEET 1	-	-	-

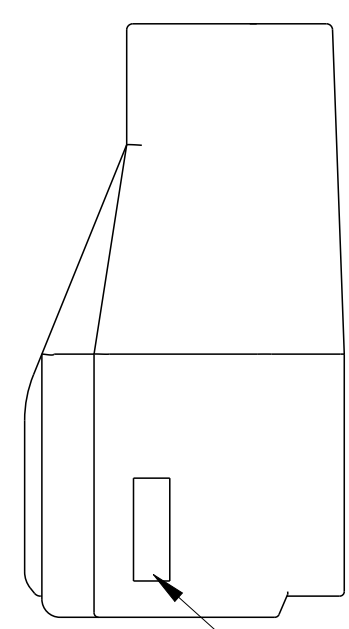


ROW ID

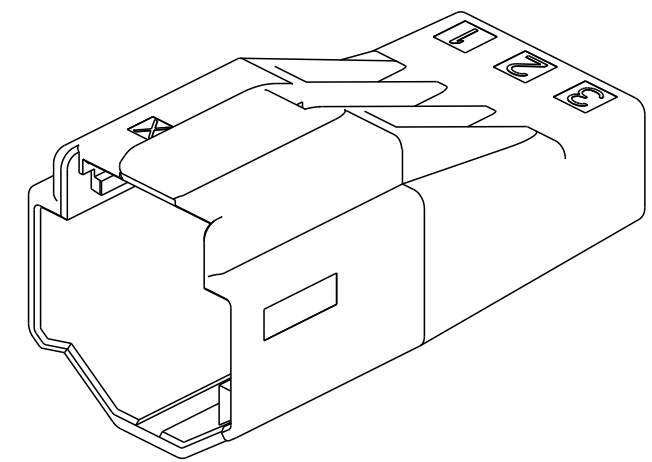
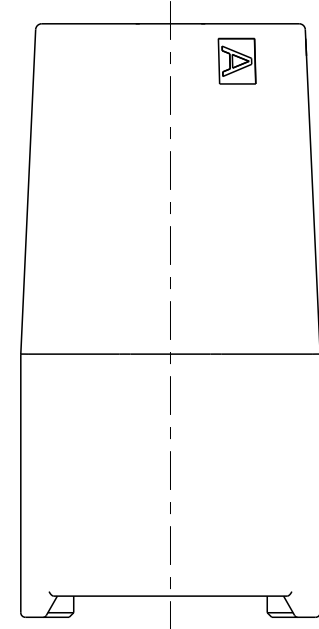


CIRCUIT ID

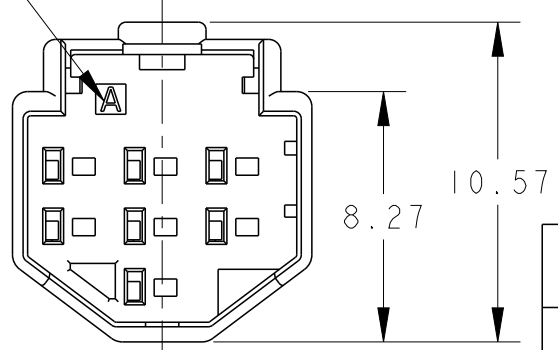
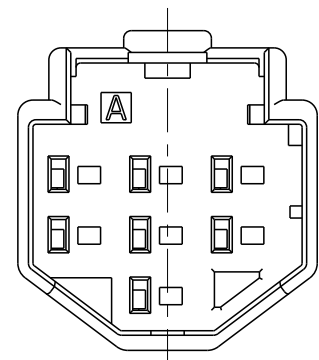
KEYING MARK



COMPANY LOGO



CAVITY MARK

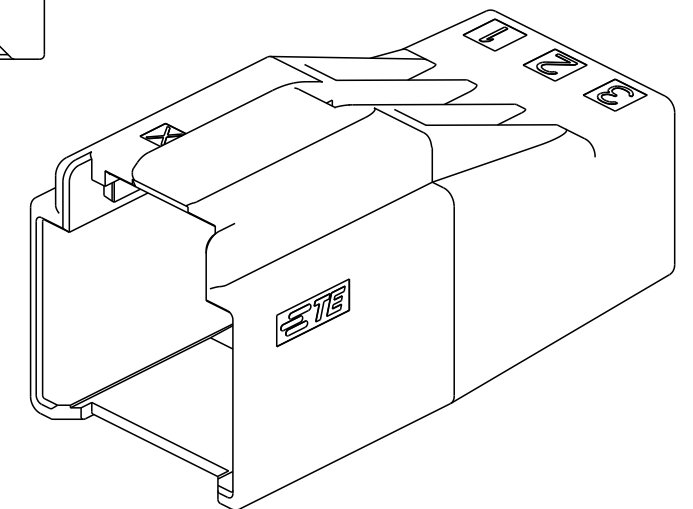
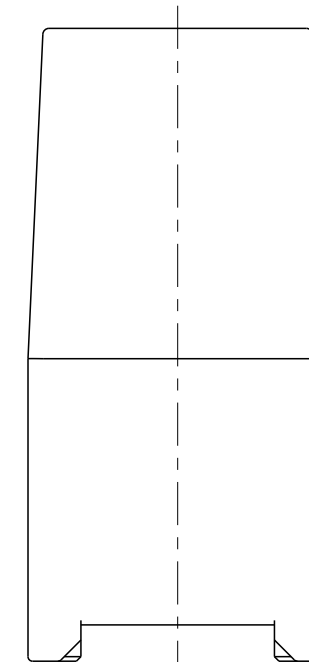
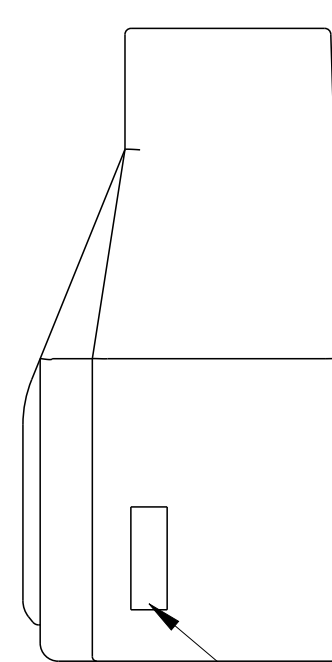
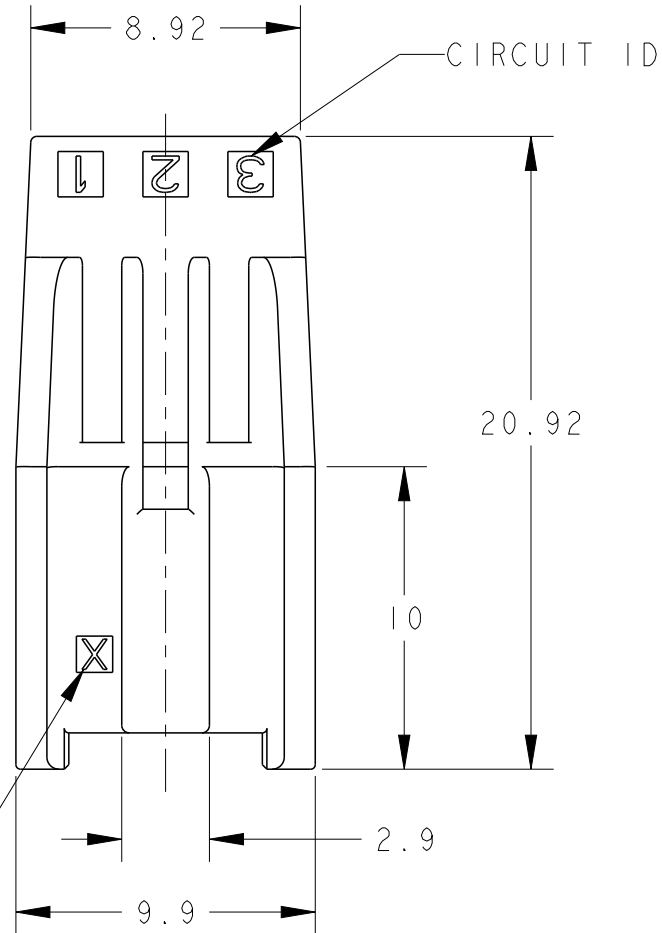
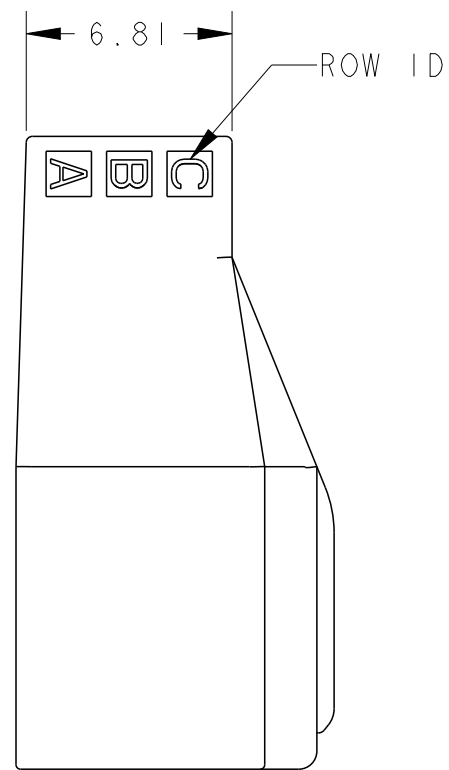
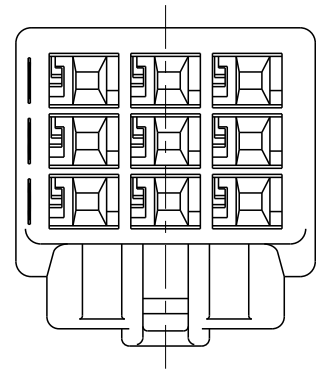


1-2375951-7
X KEY 7POSN

2-2375951-7
Y KEY 7POSN

THIS DRAWING IS A CONTROLLED DOCUMENT.		DWN H. OSABE 09MAY2023				
DIMENSIONS: mm		CHK T. SHIMOYASU 09MAY2023				
TOLERANCES UNLESS OTHERWISE SPECIFIED: ± 0.5, ± 3°		APVD T. SHIMOYASU 09MAY2023	NAME TAB HOUSING, D1000 SLIM, DYNAMIC			
		PRODUCT SPEC 108-140257	APPLICATION SPEC			
MATERIAL SEE NOTE		WEIGHT -	SIZE A3	CAGE CODE 00779	DRAWING NO C-2375951	RESTRICTED TO -
FINISH -		CUSTOMER DRAWING	SCALE 4:1	SHEET 4 OF 6	REV C	

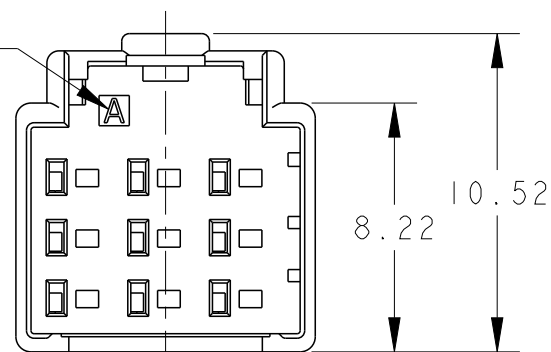
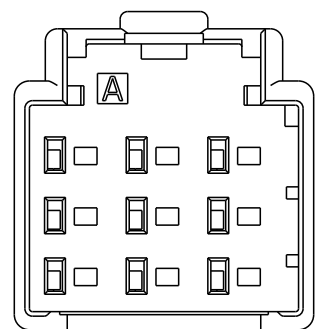
P	LTR	DESCRIPTION	DATE	DWN	APVD
	-	SEE SHEET 1	-	-	-



KEYING MARK


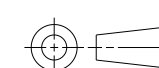
COMPANY LOGO

CAVITY MARK



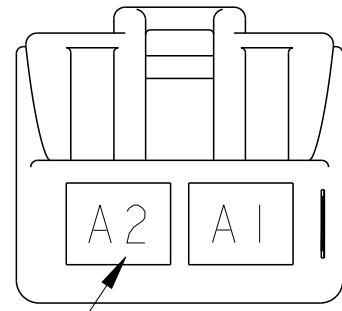
1-2375951-9
X KEY 9POSN

2-2375951-9
Y KEY 9POSN

THIS DRAWING IS A CONTROLLED DOCUMENT.		DWN	H. OSABE	09MAY2023	 TE Connectivity
DIMENSIONS:		CHK	T. SHIMOYASU	09MAY2023	
mm	TOLERANCES UNLESS OTHERWISE SPECIFIED:	APVD	T. SHIMOYASU	09MAY2023	
	±0.5, ±3°	PRODUCT SPEC	108-140257		
		NAME		TAB HOUSING, D1000 SLIM, DYNAMIC	
MATERIAL		APPLICATION SPEC		SIZE	RESTRICTED TO
SEE NOTE	FINISH	WEIGHT		A300779	
		CUSTOMER DRAWING		C=2375951	
				SCALE	4:1
				SHEET	5 OF 6
				REV	C

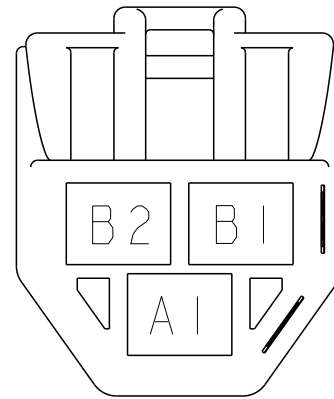
REVISIONS

P	LTR	DESCRIPTION	DATE	DWN	APVD
	-	SEE SHEET 1	-	-	-

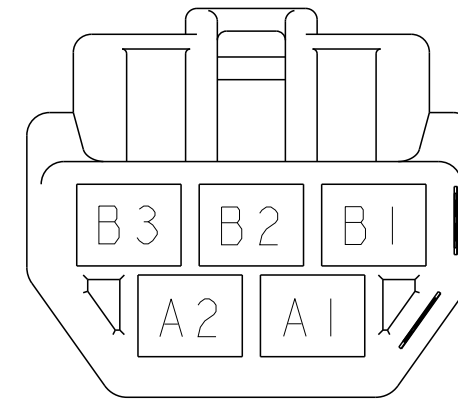


2 POSN

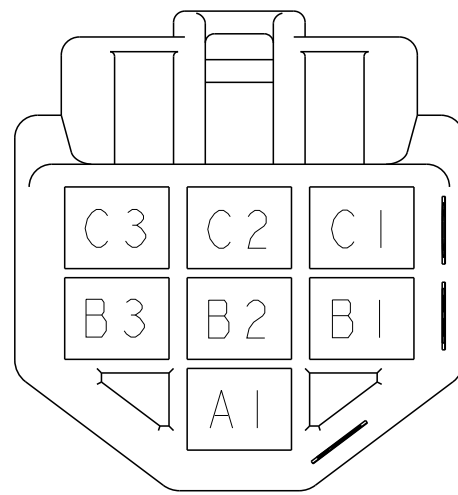
CIRCUIT NUMBER



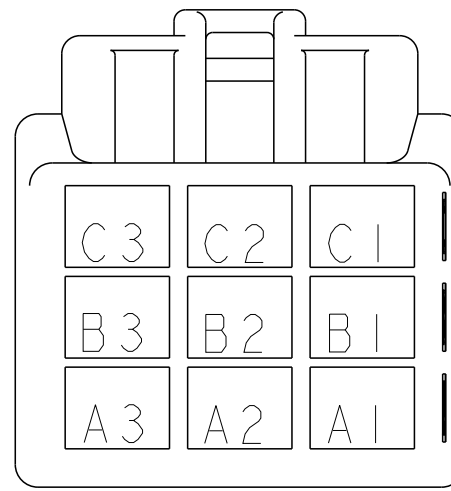
3 POSN




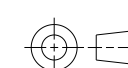
5 POSN



7 POSN



9 POSN

THIS DRAWING IS A CONTROLLED DOCUMENT.		DWN Y. OKADA 02 JUL 2020	 TE Connectivity	
DIMENSIONS: mm		CHK T. SHIMOYASU 02 JUL 2020		
		APVD E. IKEMATSU 02 JUL 2020	NAME TAB HOUSING, D1000 SLIM, DYNAMIC	
TOLERANCES UNLESS OTHERWISE SPECIFIED: ± 0.5, ± 3°		PRODUCT SPEC 108-140257	RESTRICTED TO	
MATERIAL SEE NOTE		APPLICATION SPEC -	SIZE A3	CAGE CODE 00779
FINISH -		WEIGHT -	DRAWING NO C-2375951	
		CUSTOMER DRAWING	SCALE 6:1	SHEET 6 OF 6
				REV C