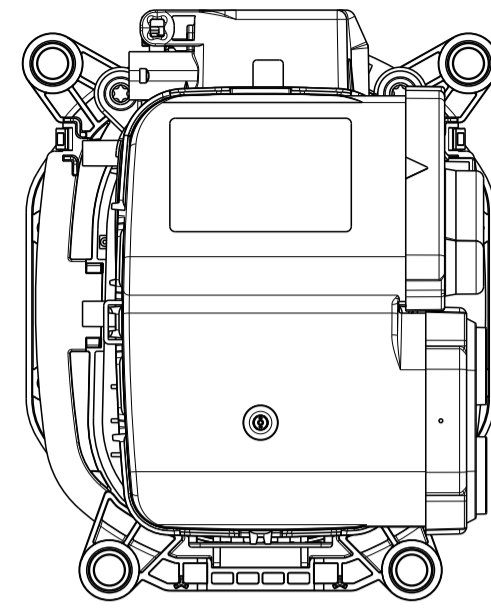
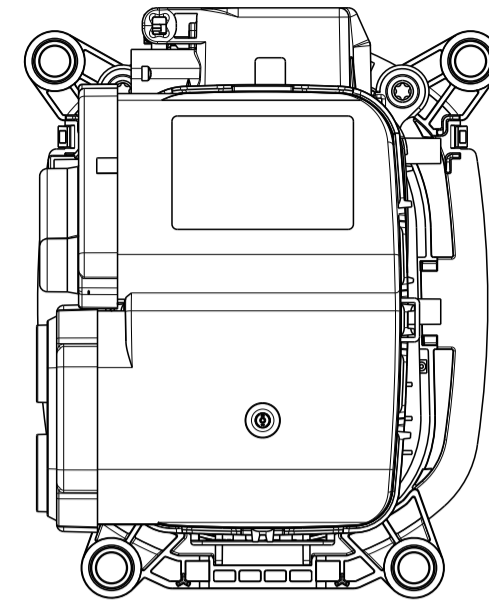


REVISIONS					
P.	LTM	DESCRIPTION	DATE	DWN	APPD
A4		SEE PCN E-21-100248	21JAN2021	MK	GL
A5		BOM TABLE UPDATED	19APR2021	DM	GL
A6		NOTE 5 ADDED	18NOV2021	YP	GL
A7		REVISED PER PCN-23-178661	15JUN2023	MK	GL

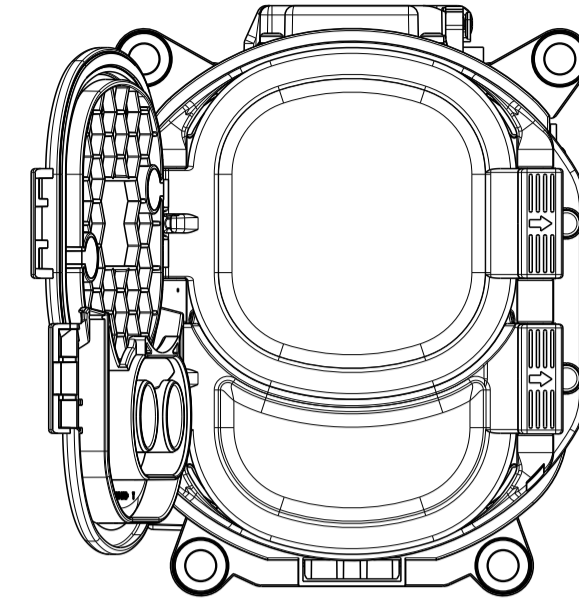
LOCKING UNIT POSITION UPPER CABLE OUTLET POSITION 1



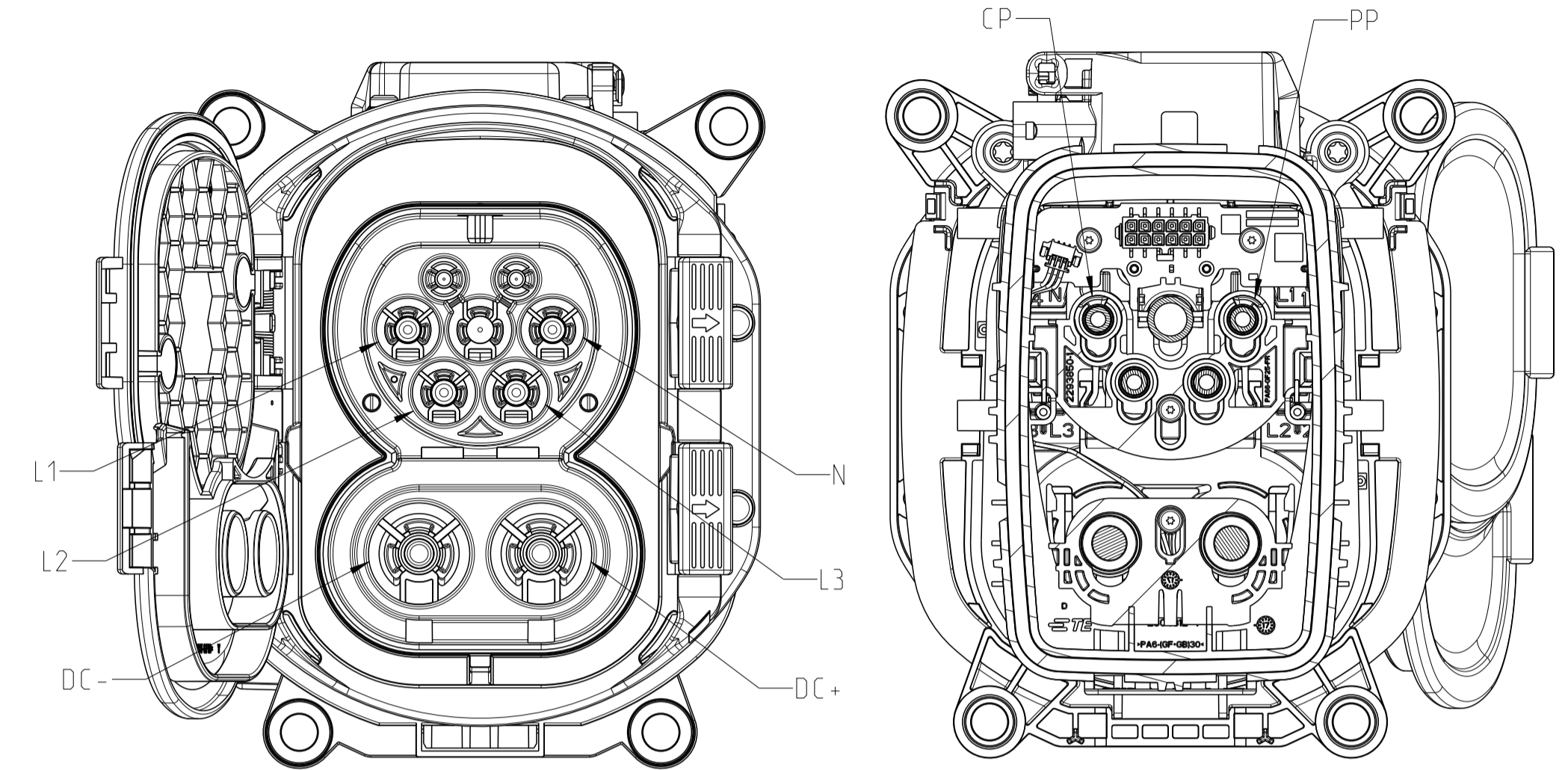
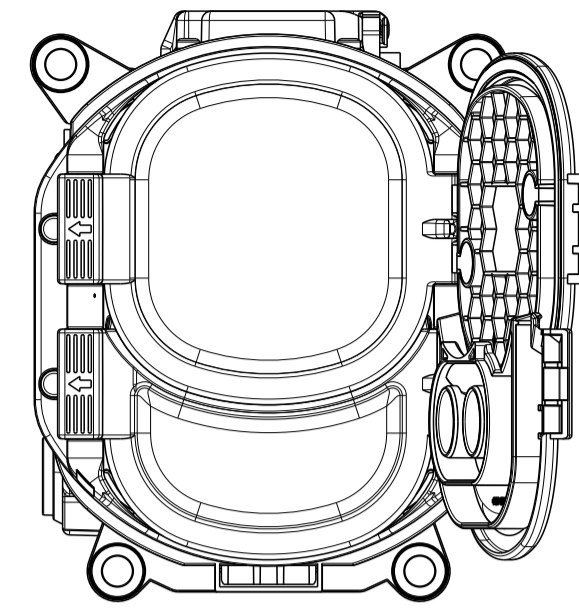
LOCKING UNIT POSITION UPPER CABLE OUTLET POSITION 2



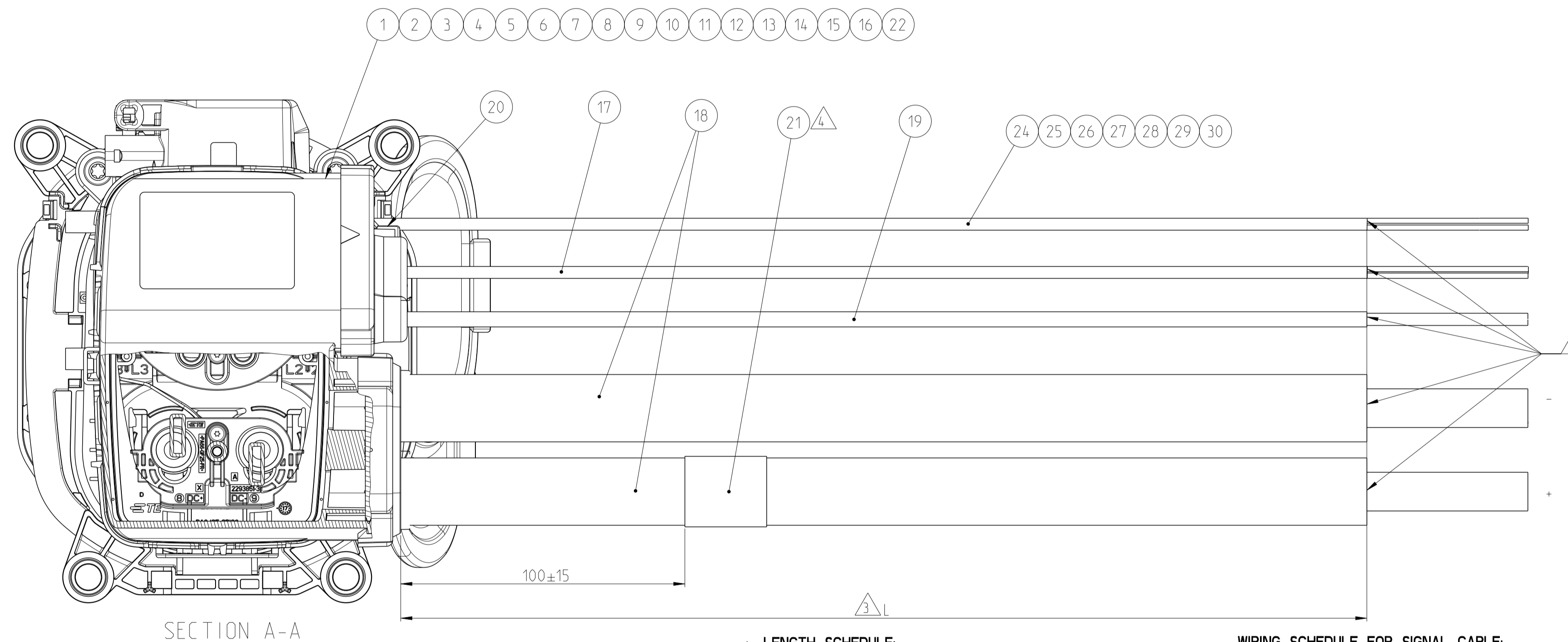
FLAPS OPEN LEFT



FLAPS OPEN RIGHT



0- -3 AS SHOWN wie dargestellt



SECTION A-A

WIRING SCHEDULE: Belegungsplan:

CAVITY-NO.	IDENTIFICATION	WIRE COLOUR	WIRE SECTION
1	L1	BROWN	6mm² (ITEM 17)
2	L2	BLACK	6mm² (ITEM 17)
3	L3	GREY	6mm² (ITEM 17)
4	N	BLUE	6mm² (ITEM 17)
5	GROUND/EARTH	BLACK	25mm² (ITEM 19)
8	DC+	ORANGE	70mm² (ITEM 18)
9	DC-	ORANGE	70mm² (ITEM 18)

LENGTH SCHEDULE: Laengentabelle:

TE PART NO	REV	LENGTH L[mm]	TOL	CABL. OUTLET POSITION	FLAP UNIT
2377698-1	A	1500	-30	POSITION 1	NO FLAPS
2377698-2	A	1500	-30	POSITION 2	NO FLAPS
2377698-3	A	1500	+30	POSITION 1	FLAPS OPEN LEFT
2377698-4	A	1500	-30	POSITION 2	FLAPS OPEN LEFT
2377698-5	A	1500	-30	POSITION 1	FLAPS OPEN RIGHT
2377698-6	A	1500	-30	POSITION 2	FLAPS OPEN RIGHT
1-2377698-1	A	3000	-50	POSITION 1	NO FLAPS
1-2377698-2	A	3000	-50	POSITION 2	NO FLAPS
1-2377698-3	A	3000	-50	POSITION 1	FLAPS OPEN LEFT
1-2377698-4	A	3000	-50	POSITION 2	FLAPS OPEN LEFT
1-2377698-5	A	3000	-50	POSITION 1	FLAPS OPEN RIGHT
1-2377698-6	A	3000	-50	POSITION 2	FLAPS OPEN RIGHT

WIRING SCHEDULE FOR SIGNAL CABLE: Belegungsplan für Signalkabel:

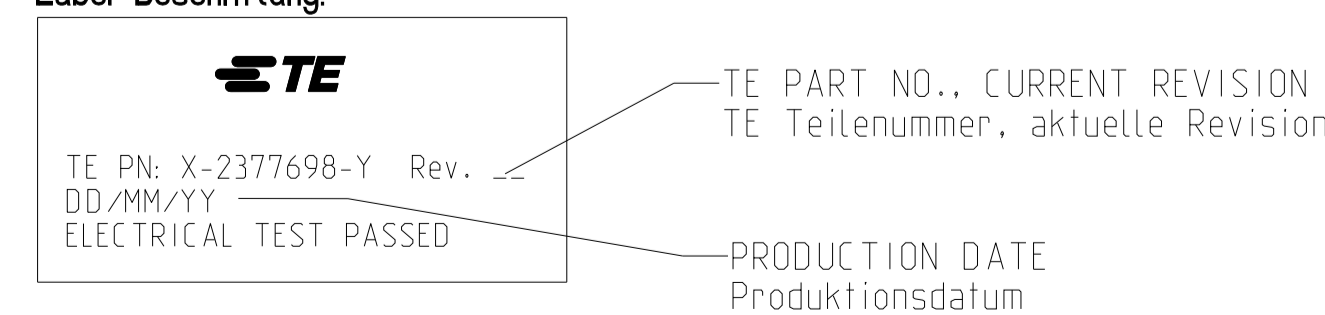
Pin No.	Identification	Wire colour	Wire section
1	-	-	-
2	-	-	-
3	-	-	-
4	-	-	-
5	-	-	-
6	TDC+	OR	0.5mm²
7	Proxi out	BU	0.5mm²
8	TDC ground	GY	0.5mm²
9	TDC-	RD	0.5mm²
10	T AC	WH/BU	0.5mm²
11	PE S	BK	0.5mm²
12	CP out	VD	0.5mm²

3m	3m	3m	3m	3m	3m	1.5m	1.5m	1.5m	1.5m	1.5m	1.5m	C	SIGNAL CABLE	30
3m	3m	3m	3m	3m	3m	1.5m	1.5m	1.5m	1.5m	1.5m	1.5m	C	SIGNAL CABLE	29
3m	3m	3m	3m	3m	3m	1.5m	1.5m	1.5m	1.5m	1.5m	1.5m	C	SIGNAL CABLE	28
3m	3m	3m	3m	3m	3m	1.5m	1.5m	1.5m	1.5m	1.5m	1.5m	C	SIGNAL CABLE	27
3m	3m	3m	3m	3m	3m	1.5m	1.5m	1.5m	1.5m	1.5m	1.5m	C	SIGNAL CABLE	26
3m	3m	3m	3m	3m	3m	1.5m	1.5m	1.5m	1.5m	1.5m	1.5m	C	SIGNAL CABLE	25
3m	3m	3m	3m	3m	3m	1.5m	1.5m	1.5m	1.5m	1.5m	1.5m	C	SIGNAL CABLE	24
1	1	1	1	1	1	1	1	1	1	1	1	J	12POS.MICRO MNL.RCPT HSG	23
7	7	7	7	7	7	7	7	7	7	7	7	K	TERMINAL MICRO MATE N LOCK	22
1	1	1	1	1	1	1	1	1	1	1	1	A	LABEL, HELL	21
1	1	1	1	1	1	1	1	1	1	1	1	A	CAB TIE, CLIP, HELL-T18R-HR-N46	20
3m	3m	3m	3m	3m	3m	1.5m	1.5m	1.5m	1.5m	1.5m	1.5m	A	PE H&S CABLE 25 SQMM	19
6m	6m	6m	6m	6m	6m	3m	3m	3m	3m	3m	3m	A	70 mm² Huber-Suhner	18
3m	3m	3m	3m	3m	3m	1.5m	1.5m	1.5m	1.5m	1.5m	1.5m	A	4X6 mm² Coroplast	17
1	1	1	1	1	1	1	1	1	1	1	1	B	FLAP, ASSY, INLET COMBO 2, RIGHT	16
1	1	1	1	1	1	1	1	1	1	1	1	B	FLAP, ASSY, INLET COMBO 2, LEFT	15
1	1	1	1	1	1	1	1	1	1	1	1	E	MOS BLINDSTOPFEN	14
1	1	1	1	1	1	1	1	1	1	1	1	B	COVER, CABLE SEAL, COMBO DC	13
1	1	1	1	1	1	1	1	1	1	1	1	A	FAMILY SEAL, COMBO DC	12
1	1	1	1	1	1	1	1	1	1	1	1	B	COVER, CABLE SEAL, AC	11
1	1	1	1	1	1	1	1	1	1	1	1	B	STRAIN RELIEF, AC	10
1	1	1	1	1	1	1	1	1	1	1	1	A	Family Seal, AC	9
1	1	1	1	1	1	1	1	1	1	1	1	D	CABLE EXIT, RECT, COMBO RIGHT	8
1	1	1	1	1	1	1	1	1	1	1	1	C	CABLE EXIT, RECT, COMBO, LEFT	7
2	2	2	2	2	2	2	2	2	2	2	2	A	DIA 6MM.PIN TERMINAL	6
2	2	2	2	2	2	2	2	2	2	2	2	A	SEALING	5
1	1	1	1	1	1	1	1	1	1	1	1	B	PROTECTION CAP CHARGE INLETS	4
1	1	1	1	1	1	1	1	1	1	1	1	B	PIN DIA 6.0.RIGID.POWER PE	3
4	4	4	4	4	4	4	4	4	4	4	4	A	DIA 6MM.PIN TERMINAL	2
1	1	1	1	1	1	1	1	1	1	1	1	A	COMBO 2.CHARGE INLET ASSY.WITHOUT LED	1
1-6	1-5	1-4	1-3	1-2	1-1	0-6	0-5	0-4	0-3	0-2	0-1	REV.	DESCRIPTION	ITEM NO.
A	A	A	A	A	A	A	A	A	A	A	A	A	REVISION OF EACH ASSY NO (WHEN BLANK, USE DWG REVISION)	

NOTES

- 1 STRIPPED ONLY OUTER JACKET AND BRAID. ELECTRICAL TESTING IS ACCORDING APPLICATION SPECIFICATION.
- 2 APPLICATION SPECIFICATION: 114-94675 CHARGE INLET COMBO II IEC 62196-3.
- 3 CUTTING LENGTHS TO BE FIXED BY MANUFACTURING.
- 4 MANUFACTURING CODE: TE PART NO., CURRENT REV. LEVEL AND DATE CODE (DD.MM.YY). TO BE PRINTED ON LABEL (ITEM 21). LABEL TO BE APPLIED TO THE CABLE AFTER SUCCESSFUL ELECTRICAL TEST.
- 5. FLAP ASSY (ITEM 15/16) WILL BE NOT MOUNTED AS SHOWN BUT ATTACHED INTO PACKAGING.

LABEL LEGEND: Label Beschriftung:



THIS DRAWING IS A CONTROLLED DOCUMENT.		DWG: 10SEP2020 CHK: CHANDRAKANTH M. BLOCK	
DIMENSIONS: mm		TOLERANCES UNLESS OTHERWISE SPECIFIED:	
0 PLC ±0.1		1 PLC ±0.01	
2 PLC ±0.01		3 PLC ±0.001	
4 PLC ±0.001		ANGLES ±	
MATERIAL: -		FINISH: -	
CUSTOMER DRAWING		SCALE: 5:1 SHEET: 1 OF 1 REV: A7	
NAME: CHARGING INLET CCS2, CABLE ASSY		SIZE: CAGE CODE DRAWING NO: 00779 A   00779 ©=2377698	