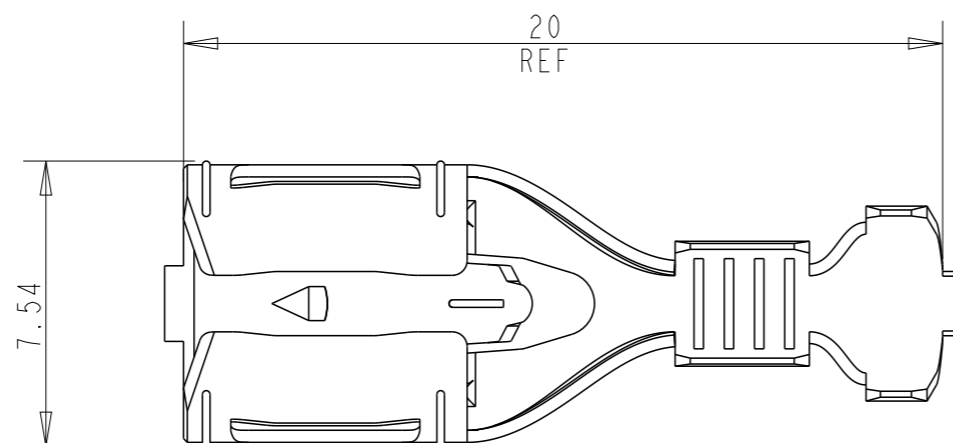
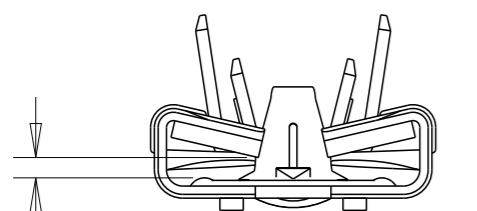


REVISIONS

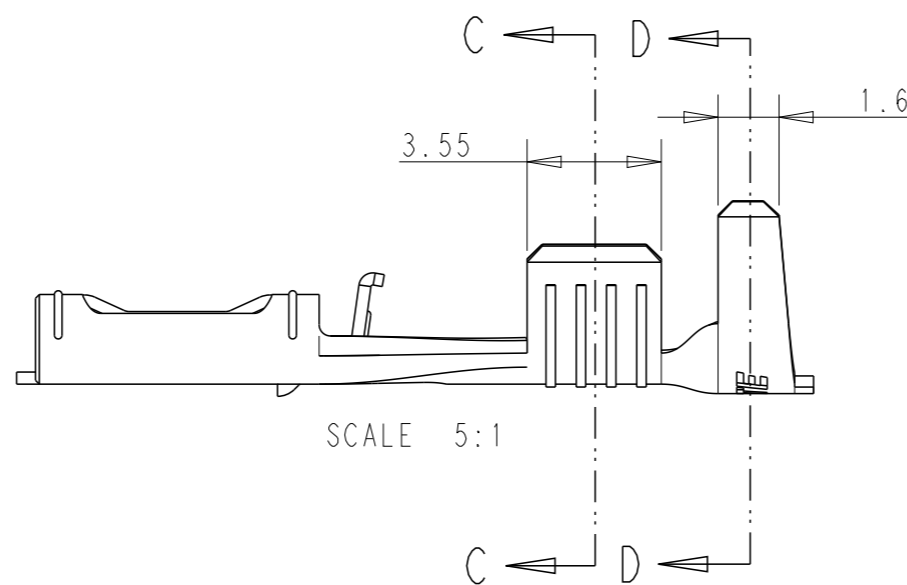
P	LTR	DESCRIPTION	DATE	DWN	APVD
	A2	ECR-22-189007	16OCT23	DT	EW



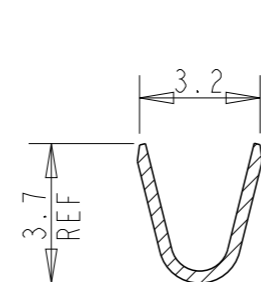
NOTES;  
 1. CONTINUOUS STRIP ON REELS  
 2. WIRE RANGE: 18-14AWG  
 INSULATION RANGE: Ø2.3-3.4mm



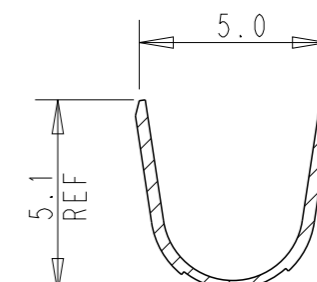
MATING WITH 0.8mm TAB



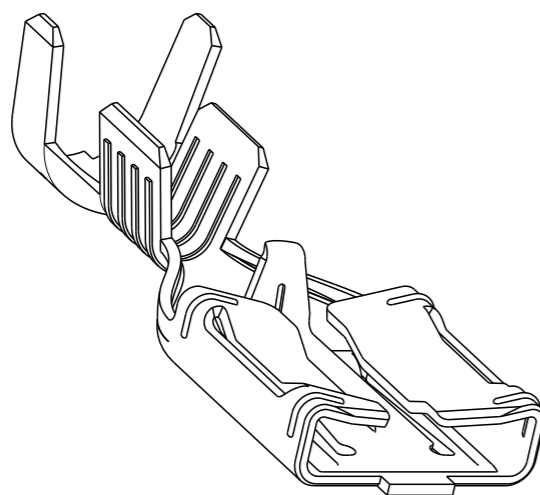
SCALE 5:1



SECTION C-C



SECTION D-D



THIS DRAWING IS A CONTROLLED DOCUMENT.

DIMENSIONS: mm		TOLERANCES UNLESS OTHERWISE SPECIFIED:	
	0 PLC	±	-
	1 PLC	±0.3	
	2 PLC	±0.25	
	3 PLC	±0.2	
	4 PLC	±	
	ANGLES	±3	
MATERIAL	FINISH	-	-

DWN	DON TANG	18-Oct-23
CHK	DAISY LI	18-Oct-23
APVD	ERIC WANG	18-Oct-23
PRODUCT SPEC	108-106568	
APPLICATION SPEC	114-106568	
WEIGHT	-	
CUSTOMER DRAWING		

0.32mm	PRE-TIN	BRASS	2379911-1
THICKNESS	PLATING	MATERIAL	PN



NAME			
250 F-SPRING REC. 18-14 AWG TPBR			
-			
SIZE	CAGE CODE	DRAWING NO	RESTRICTED TO
A3	00779	©-2379911	-
SCALE		SHEET	REV
5:1		1 OF 1	A2