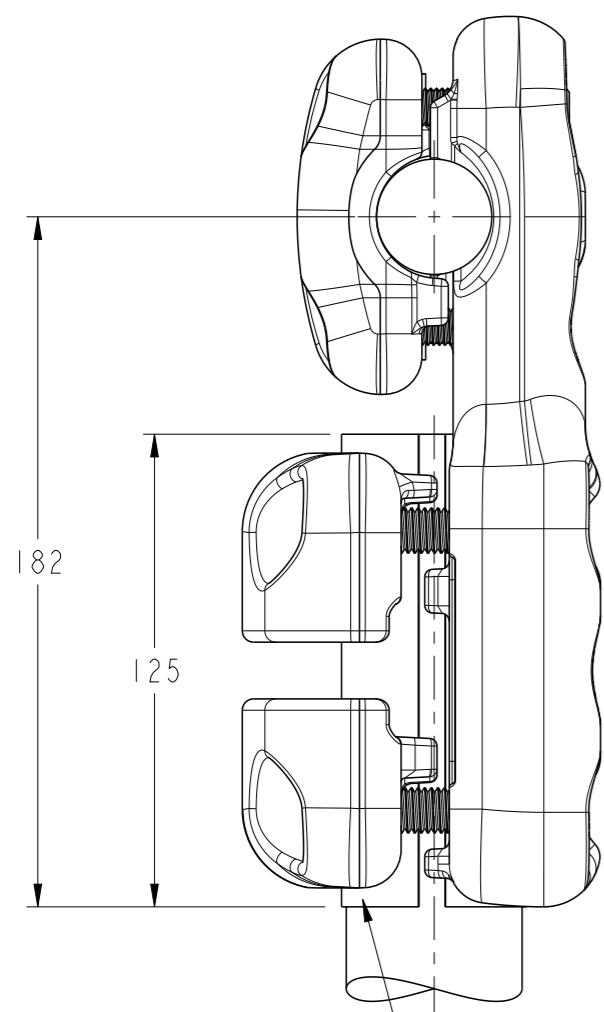
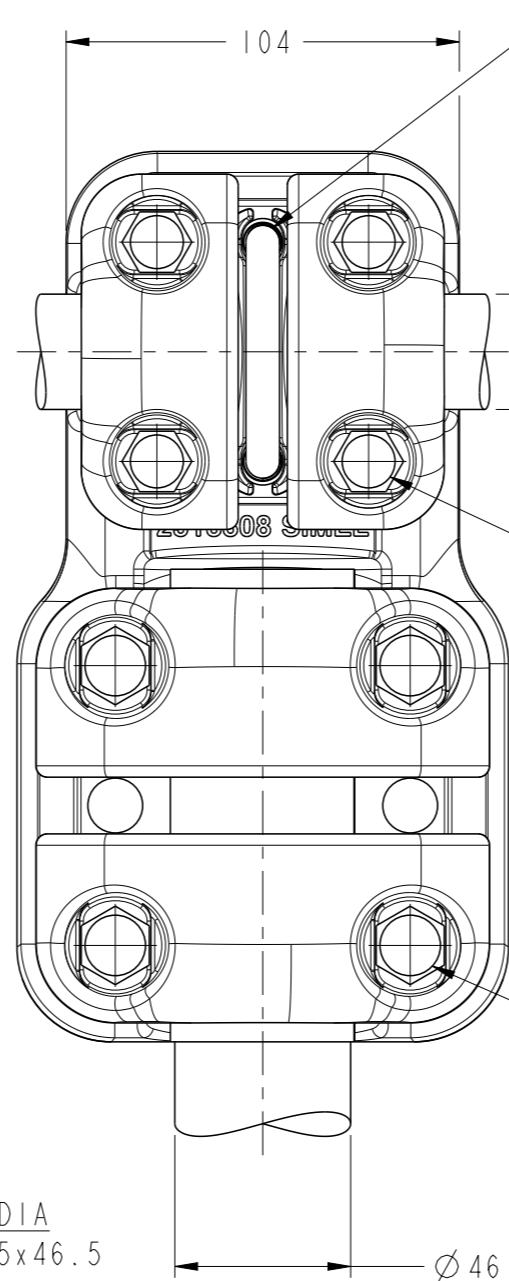


REVISIONS

P	LTR	DESCRIPTION	DATE	DWN	APVD
	A	CREATION	20APR2021	RS	CG



Bimetallic sleeve Alu/Copper 48.5x46.5DIA
 Fourrure bi-métallique Alu/Cuivre Ø48.5x46.5

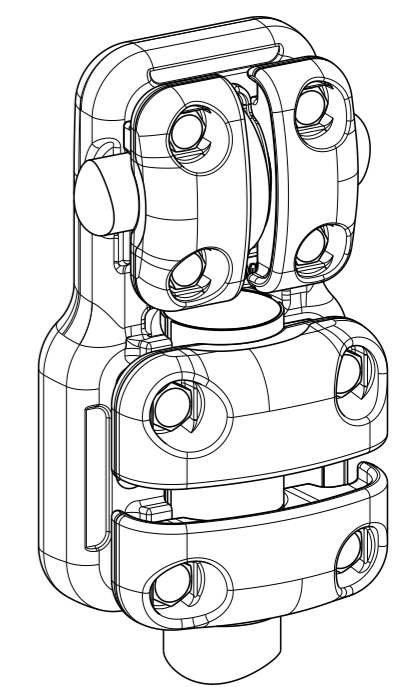


M10 stainless steel U-Bolt A4: 37Nm
 Etrier M10 acier inoxydable A4: 37Nm

Ø28.6-30.5

M10 Bolts stainless steel A2: 37Nm
 Boulons M10 acier inoxydable A2: 37Nm

M12 Bolts stainless steel A2: 60Nm
 Boulons M12 acier inoxydable A2: 60Nm



No scale
 Sans échelle

THIS DRAWING IS A CONTROLLED DOCUMENT.

DIMENSIONS:	TOLERANCES UNLESS OTHERWISE SPECIFIED:
mm	
	0 PLC ±-
	1 PLC ±-
	2 PLC ±-
	3 PLC ±-
	4 PLC ±-
	ANGLES ±-
MATERIAL	FINISH
-	-

DWN	RAVI.S	20APR2021
CHK	M.PREVOT	20APR2021
APVD	C.GLOMMEAU	20APR2021
PRODUCT SPEC	108-69096-001	
APPLICATION SPEC	-	
WEIGHT	2.92 kg	
CUSTOMER DRAWING		

		TE Connectivity	
		NAME	
TEE CONNECTOR		RACCORD EN TE	
5 CT 82 MR305 LK465		RESTRICTED TO	
SIZE	CAGE CODE	DRAWING NO	
A3	00779	C=2380577	-
SCALE	SHEET	OF	REV
5:1	1	1	A