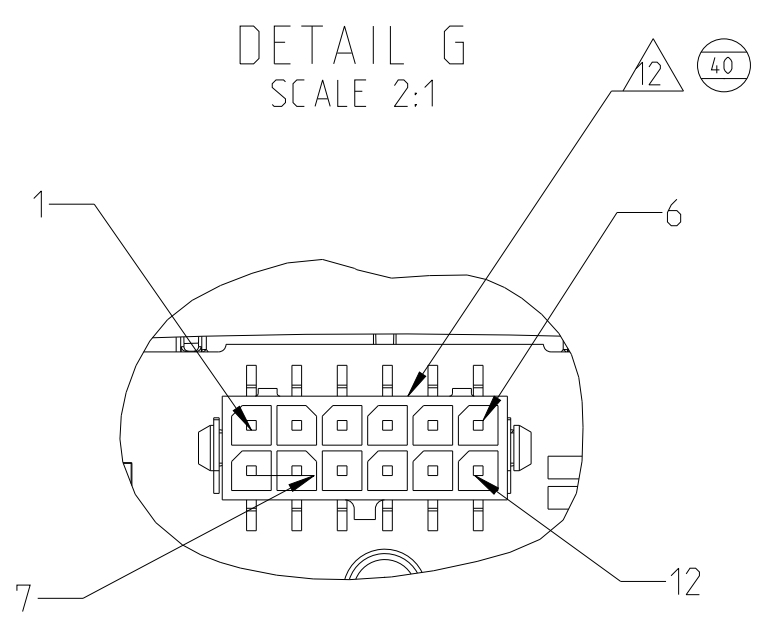
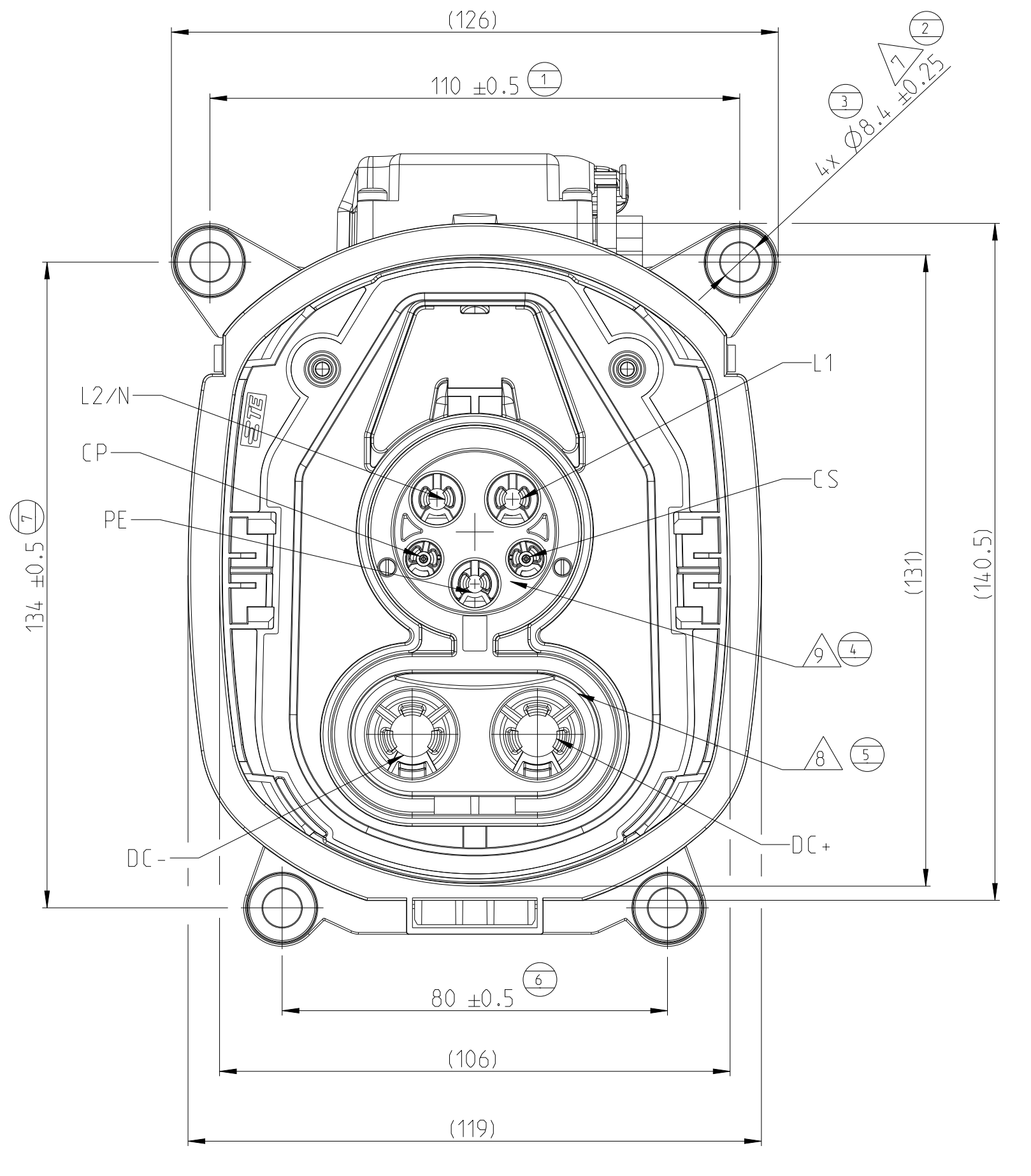
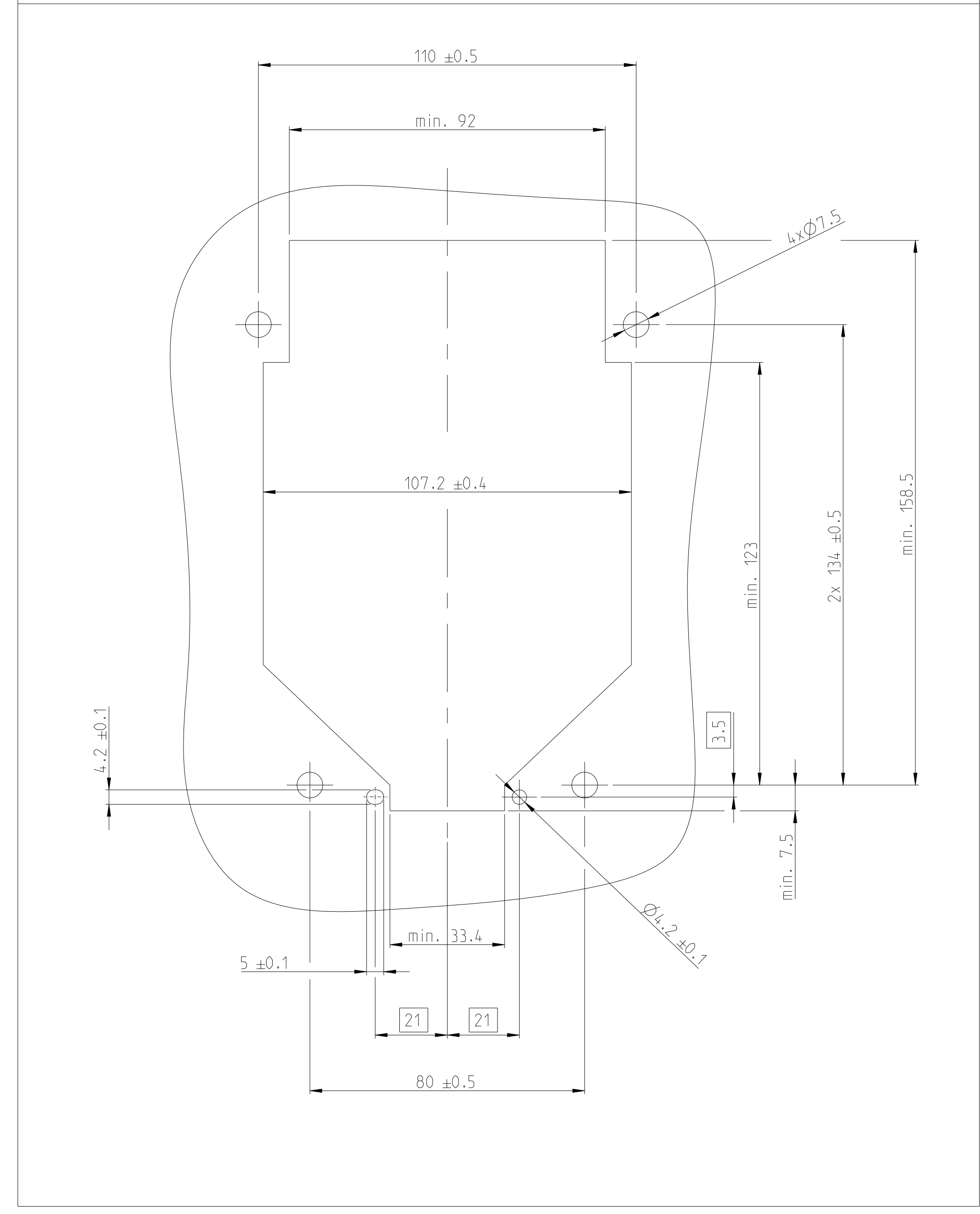
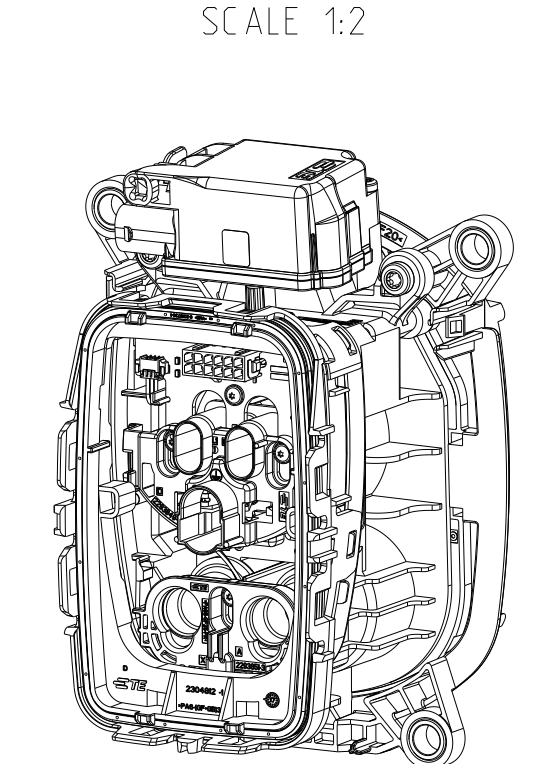
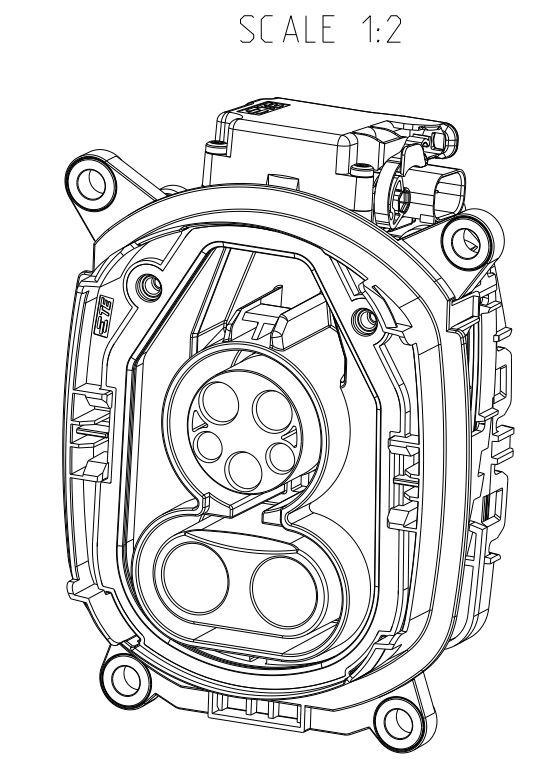
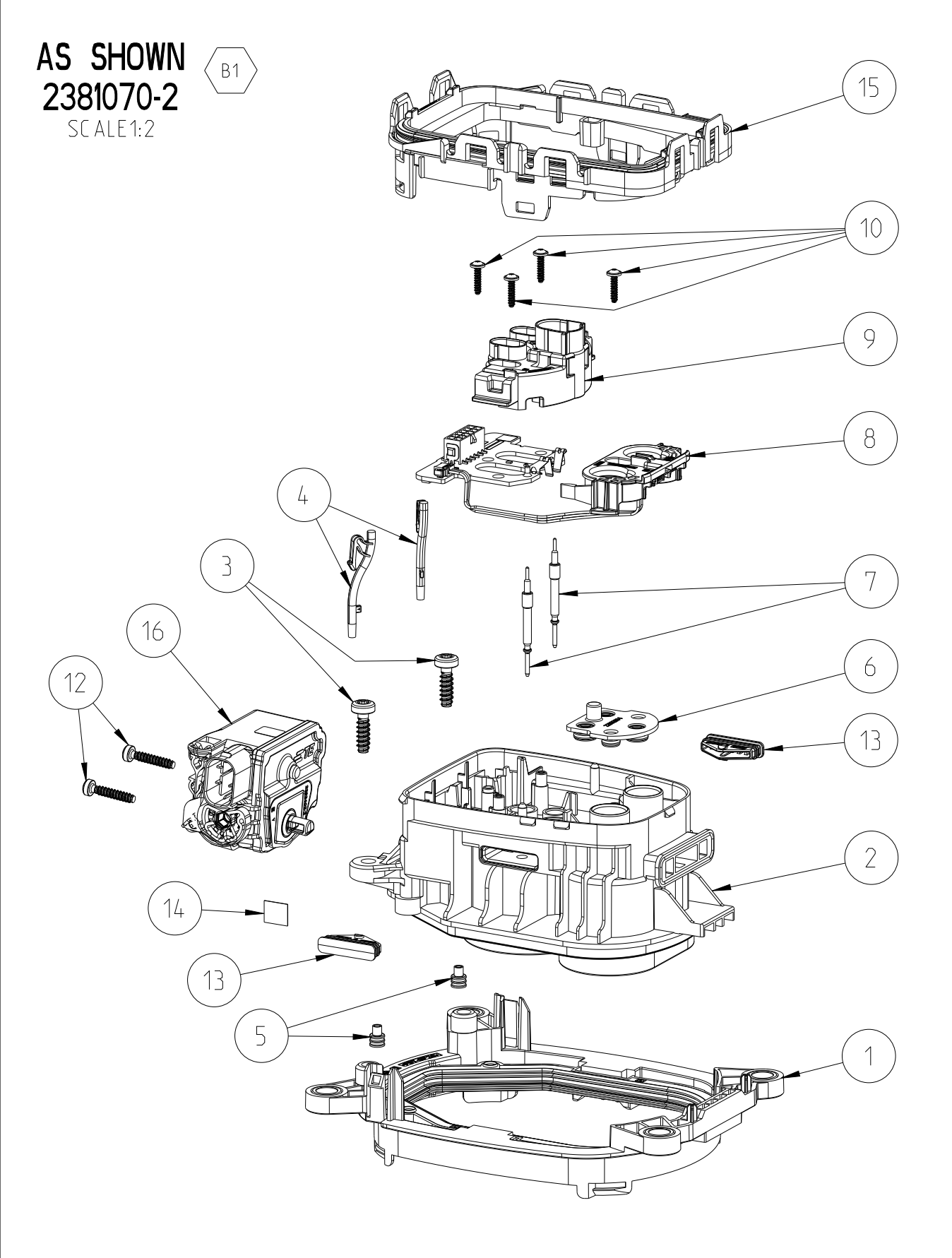
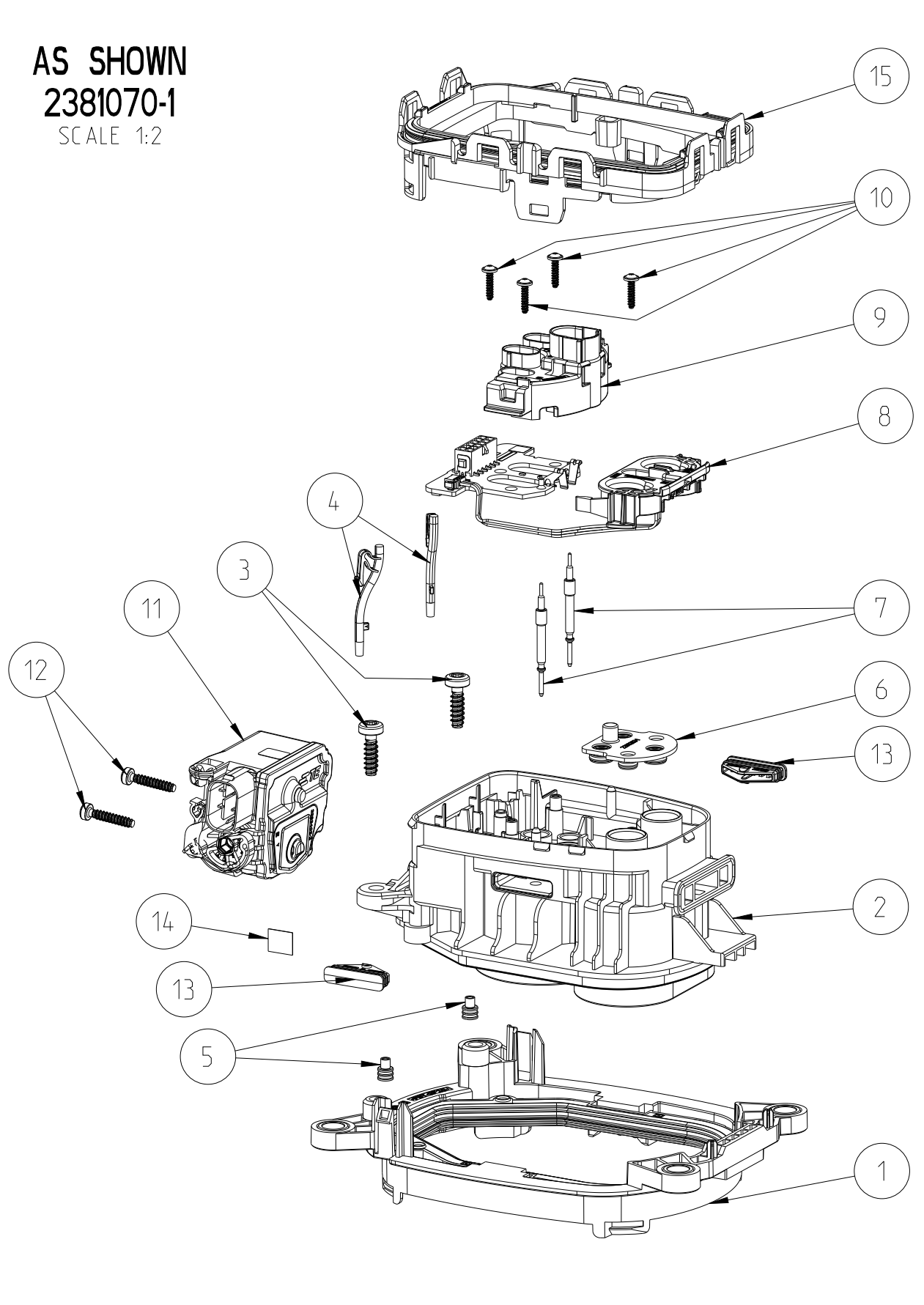
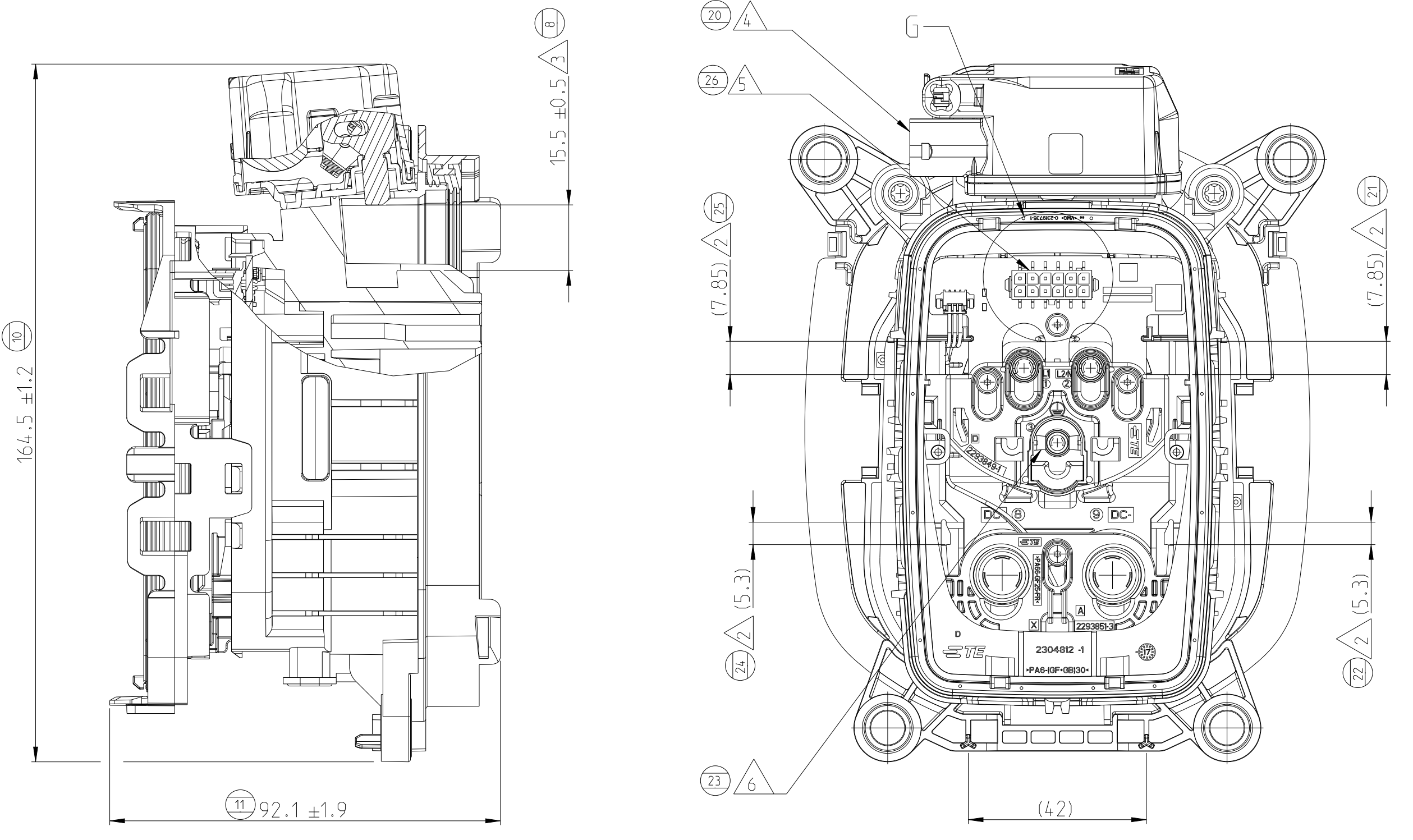


REQUIREMENT FOR MOUNTING PLATE



SECTION A-A



NOTES

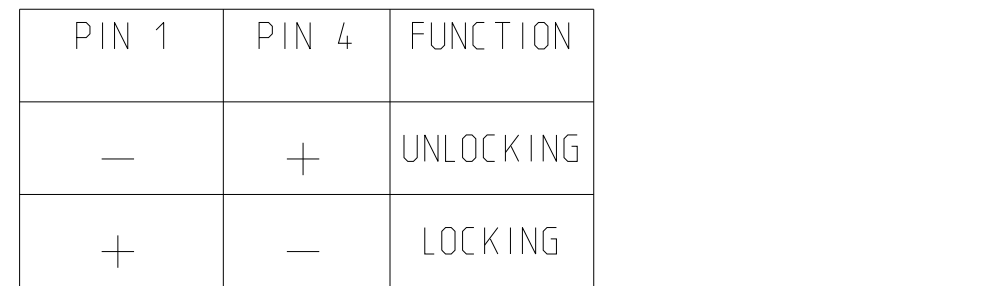
- 1 PACKED INTERLAYERED IN PLASTIC BAG (ANTISTATIC) IN CORRUGATED SHIPPING BOX
- 2 DELIVERY CONDITION: SEC. LOCKS IN PRELOCK POSITION
- 3 DELIVERY CONDITION ACTUATOR: ACTUATOR IN BASE POSITION
- 4 ROOM FOR CONNECTOR PN 1-967640-1 MATING WITH TE SPEC. 114-18063-124.
- 5 MAKE SURE THAT NO MECHANICAL FORCES ARE APPLIED ON THE HEADER OF PCBA
- 6 PE CONTACT CLAMP MAY BE DISCOLORED (BLACK/BROWN). TYPICAL FOR AG PLATING AND HAS NO IMPACT ON FUNCTION
- 7 APPLICABLE SCREWS FOR MOUNTING. HEAD DIAMETER MIN. 10.5mm. TORQUE 6Nm±0.9Nm FOR M6 SCREWS
- 8 CHARGE INLET SIMILAR TO IEC62196-3.CCS 1. SHEET 3-111a
- 9 CHARGE INLET SIMILAR TO IEC62196-2.TYPE 1. SHEET 2-1
- 10 ADAPTIVE CABLES SEE APPLICATION SPECIFICATION 114-94722
- 11 SPECIFIED IN PRODUCT SPECIFICATION 108-94838
- 12 COMPATIBLE PCB CONNECTOR: PN 1-794617-2 WITH TERMINAL PN 0-794606-1
- 13 FUNCTIONAL AND ELECTRICAL REQUIREMENTS OF ACTUATOR SEE SPECIFICATION 108-94519

TESTING PARAMETER PCB

TEST ITEM	RESISTANCE MEASUREMENT		VALUE @T _{amb} : 25° ± 5° C
	TEST PINS		
T DC +	1	2	10000Ω - 2200Ω / -1760Ω
T DC -	3	2	10000Ω - 2200Ω / -1760Ω
Proxi	Proxi	6	0Ω + 1Ω
CP	CP	10	0Ω + 1Ω

ACTUATOR WIRE CONFIGURATION

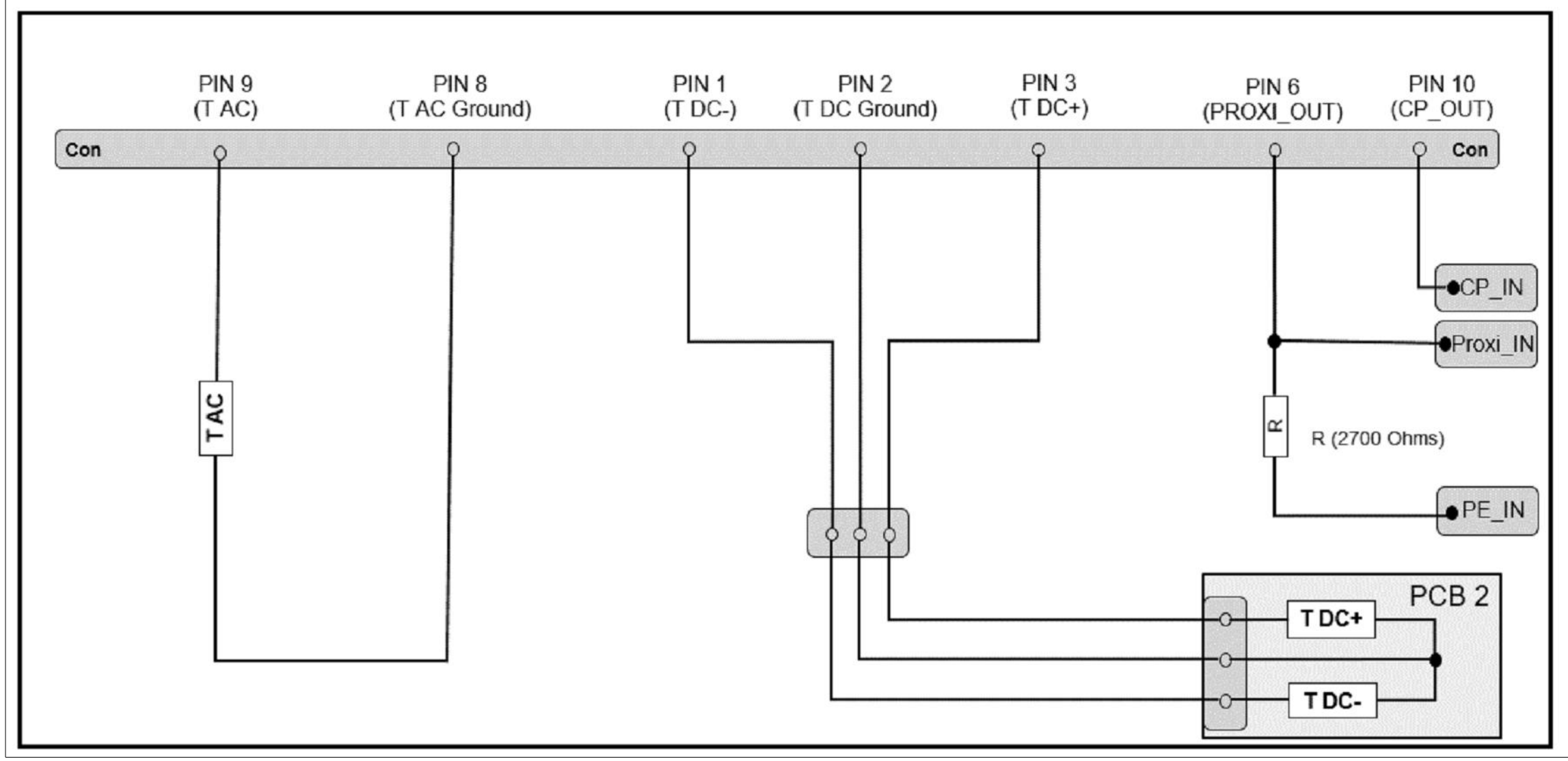
PIN 3	PIN 2	SENSE RESISTANCE	FUNCTION
-	+	11,000 kOhm ± 5%	LOCKED
-	+	2,194 kOhm ± 5%	DRIVE
-	+	1,540 kOhm ± 5%	FAULT
-	+	0,989 kOhm ± 5%	UNLOCKED



PINNING PCB

PIN NO.	COMBO 1
1	LED gn
2	LED rd
3	-
4	GND LED
5	LED wf
6	T DC +
7	Proxi
8	GND, Temp
9	T DC -
10	T AC
11	PE S
12	CP

CIRCUIT DIAGRAM (FOR INFORMATION ONLY)



REV.	DESCRIPTION	DATE	BY	CHK	APPV
A1	ECR-21-002290	29FEB2021	SS	DH	
A2	PCN-21-116448	07OC12021	SS	DH	
B	PCN-22-153901	26SEP2022	AK	DH	
B1	PCN-24-197693	19JAN2024	AJ	KPB	

REV.	DESCRIPTION	DATE	BY	CHK	APPV
1	-	-	-	-	-
1	-	-	-	-	-
1	-	-	-	-	-
2	-	-	-	-	-
2	-	-	-	-	-
-	-	-	-	-	-
4	-	-	-	-	-
1	-	-	-	-	-
1	-	-	-	-	-
1	-	-	-	-	-
2	-	-	-	-	-
1	-	-	-	-	-
2	-	-	-	-	-
2	-	-	-	-	-
2	-	-	-	-	-
1	-	-	-	-	-
2	-	-	-	-	-
1	-	-	-	-	-
1	-	-	-	-	-

ASSY PN	2381070-1	2381070-1	P/N	REV	DESCRIPTION	SURFACE/COLOR	ITEM NO
ASSY REV.	B	B			COMPONENT DETAILS		
ASSY Wt(g)	393.08	393.18					
ASSY DESCRIPTION	INLET HSG ASSY WITH LED.CCS1 24V ACTUATOR	INLET HSG ASSY WITH LED.CCS1 12V ACTUATOR					

THIS DRAWING IS A CONTROLLED DOCUMENT.

DATE: 19/01/2020
 BY: S. TEJUS
 CHK: KASHYAP.P.B
 APPV: DANANPA.HUDGAONKAR

PRODUCT SPEC: 108-94838
 APPLICATION SPEC: 114-94722

DIMENSIONS AND TOLERANCES ACCORDING TO: SEE TABLE

MATERIAL: -
 FINISH: -

SCALE: 5:1
 SHEET: 1 OF 1
 REV: B1

STE TE Connectivity
 CHARGE INLET ASSY WITH LED CCS1