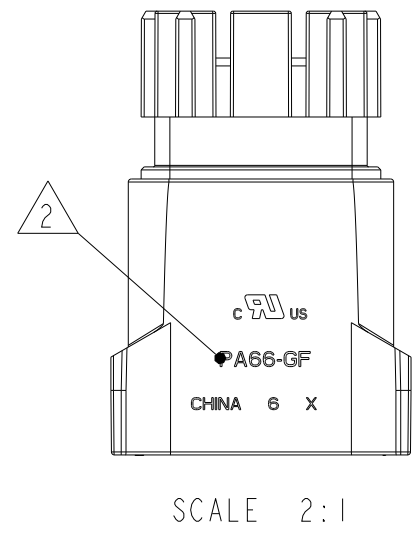
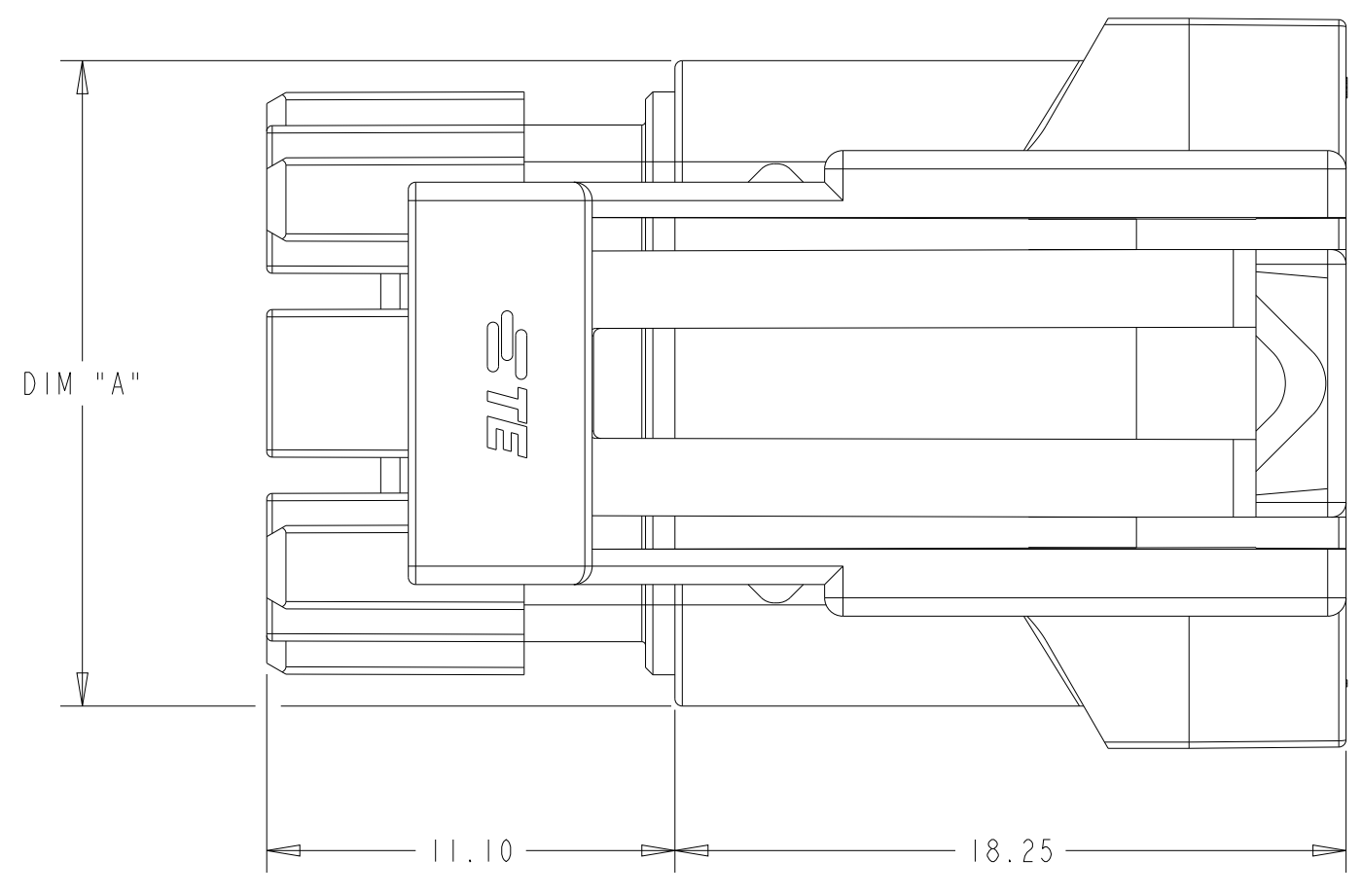


△ MATERIAL: PA66 - GLASS FILLED, FLAME
 △ MATERIAL MARK: PA66-GF

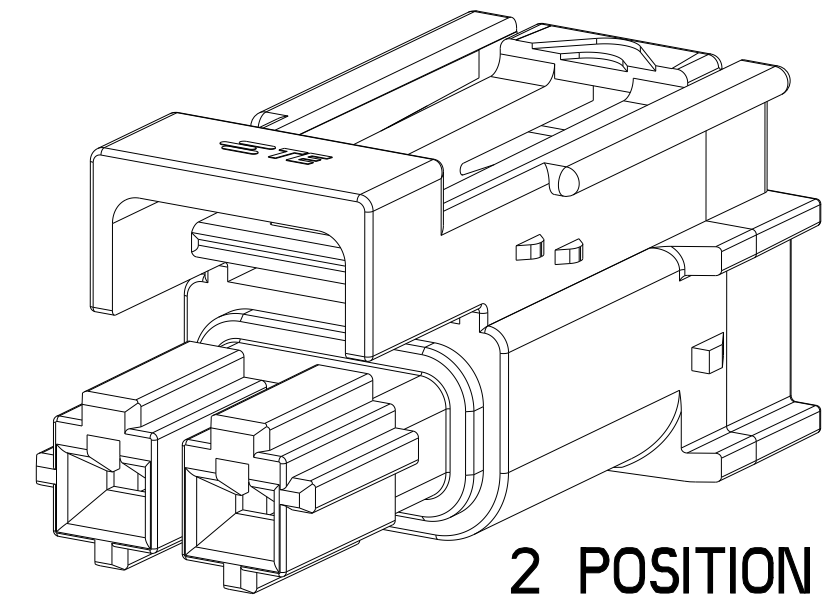
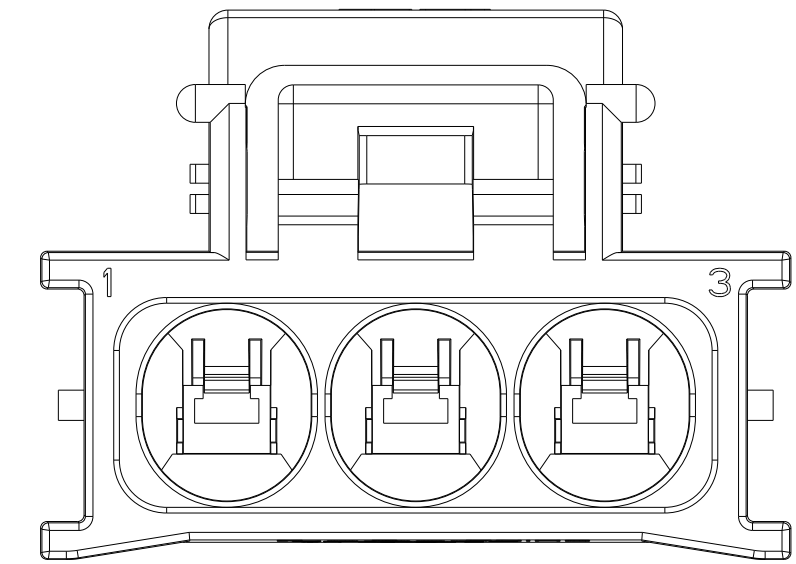
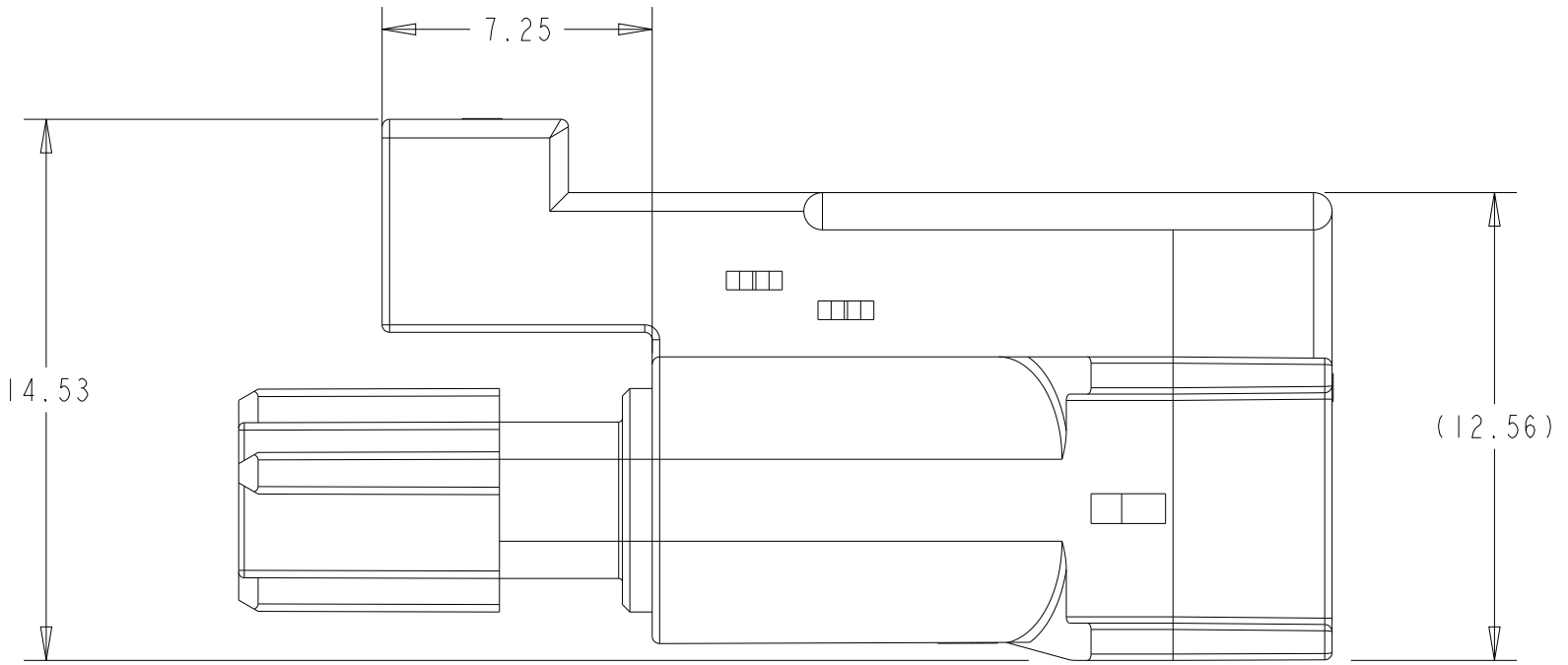
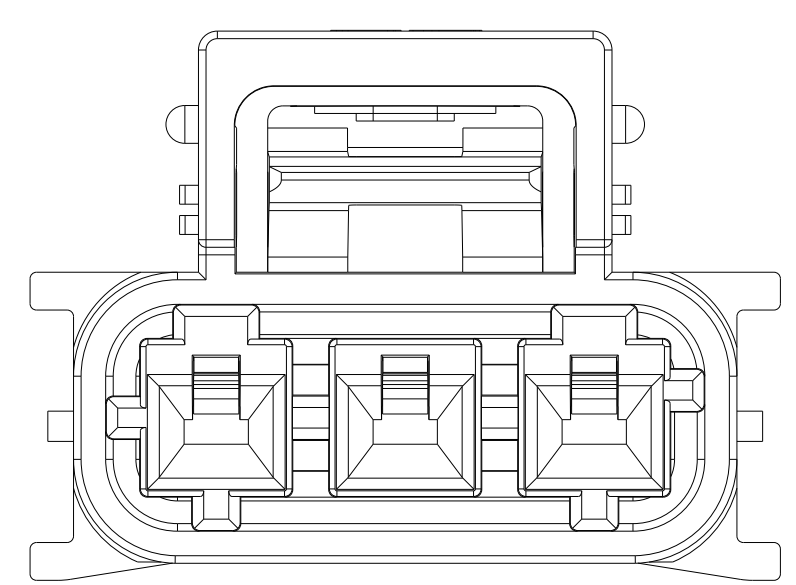
REVISIONS				
P	LTN	DESCRIPTION	DATE	OWN APVD
A		INITIAL RELEASE	17APR2023	MV DS
A1		REVISED PER ECR-24-199305	23FEB2024	AK DS

MATING CONNECTOR PART NUMBERS		
ITEM	DESCRIPTION	PART NUMBER
1	CAP HOUSING - PANEL MOUNT VERSION	X-2381317-X
2	TERMINAL POSITION ASSURANCE (TPA)	2329016-X
3	INTERFACE/PERIPHERAL SEAL	2325347-X
4	FAMILY/GANG SEAL	2325349-X
5	BACK COVER	2334614-X

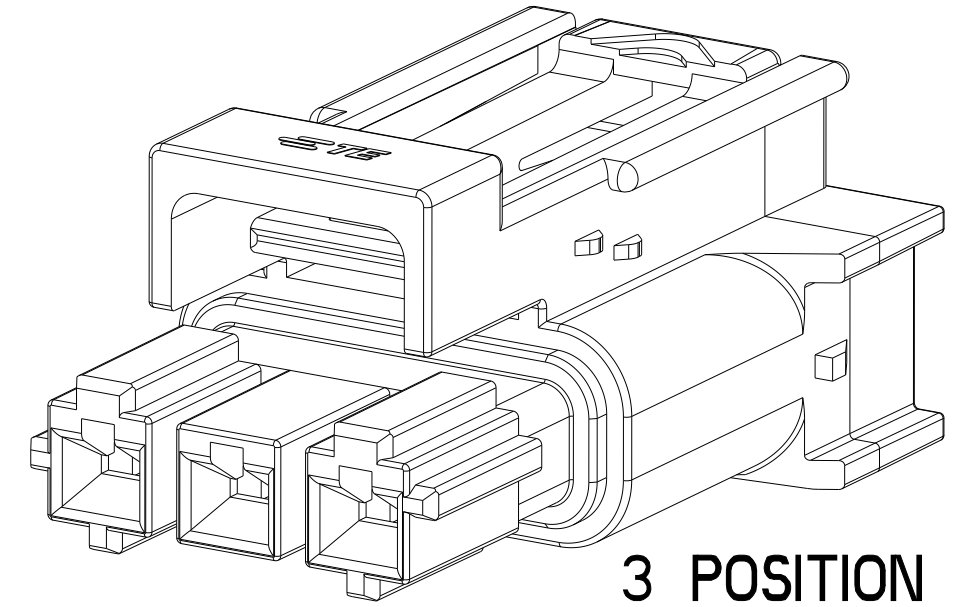
ITEM	APPLICABLE TERMINAL PN
1	2329912-1
2	2329913-1
3	2329914-1
4	2329915-1
5	2329916-1
6	2329917-1



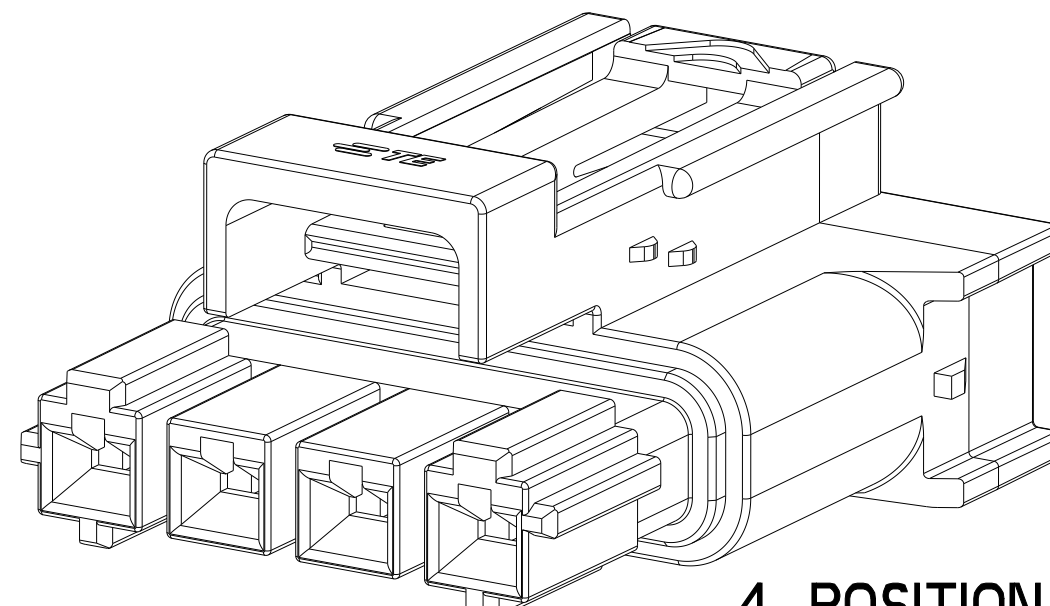
SCALE 2:1



2 POSITION



3 POSITION



4 POSITION

22.55	NATURAL	C	1 * 4	3-2381315-4
22.55	YELLOW	B	1 * 4	2-2381315-4
22.55	BLUE	A	1 * 4	1-2381315-4
17.55	NATURAL	C	1 * 3	3-2381315-3
17.55	YELLOW	B	1 * 3	2-2381315-3
17.55	BLUE	A	1 * 3	1-2381315-3
12.55	NATURAL	C	1 * 2	3-2381315-2
12.55	YELLOW	B	1 * 2	2-2381315-2
12.55	BLUE	A	1 * 2	1-2381315-2
DIM "A"	COLOR	KEY	POSITION	PART NO

KEY A	KEY B	KEY C
1-2381315-4	2-2381315-4	3-2381315-4
1-2381315-3	2-2381315-3	3-2381315-3
1-2381315-2	2-2381315-2	3-2381315-2

THIS DRAWING IS A CONTROLLED DOCUMENT.

OWN: B. WEAVER 28MAR2021
 CHK: D. SWARTZ 28MAR2021
 APVD: V. SHETLAR 28MAR2021

DIMENSIONS: mm
 TOLERANCES UNLESS OTHERWISE SPECIFIED:
 0 PLC ±
 1 PLC ±0.50
 2 PLC ±
 3 PLC ±
 4 PLC ±
 ANGLES ±
 FINISH NA

MATERIAL: △
 WEIGHT: 114-143082
 CUSTOMER DRAWING

NAME: SINGLE ROW POWER VERSA LOCK PLUG HOUSING
 SIZE: 108-143081
 APPLICATION SPEC: 114-143082

TE Connectivity
 A | 00779 C=2381315
 SCALE 4:1 SHEET 1 OF 1 REV A1