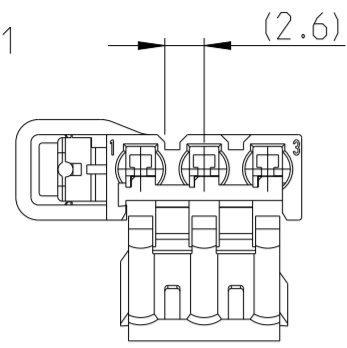
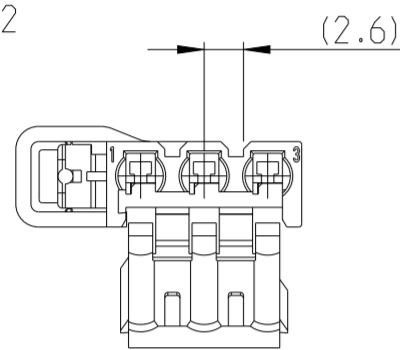


P	LTR	DESCRIPTION	DATE	DWN	APVD
A		NEW DRAWING	11MAY2022	HH	PW
B		Coding C and D adjusted	16MAY2022	HH	PW

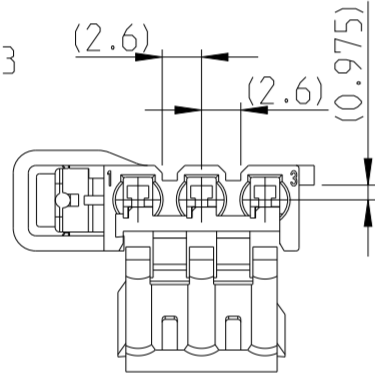
CODING A
Kodierung
2382877-1



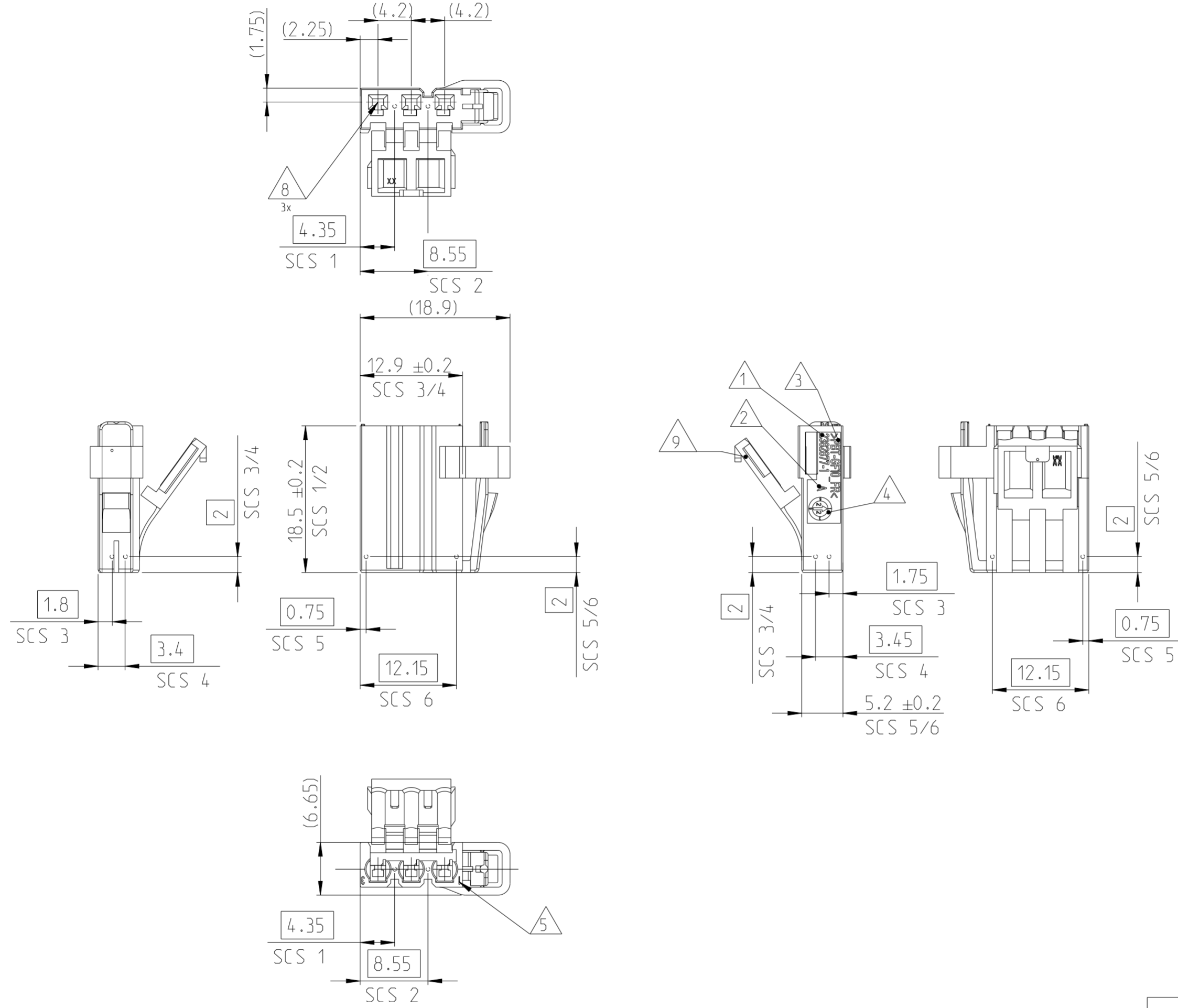
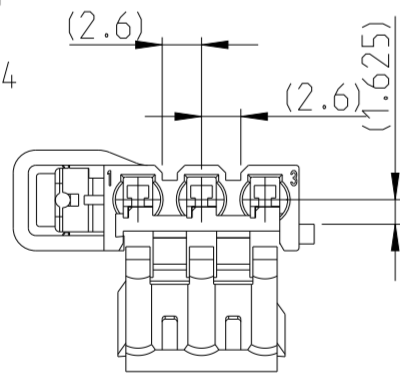
CODING B
Kodierung
2382877-2



CODING C
Kodierung
2382877-3



CODING D
Kodierung
2382877-4



NOTES

- Bemerkungen
- TE-CONNECTIVITY ORDER-NUMBER
TE-Connectivity Bestellnummer
 - REVISION. SEE TABLE
Revision. siehe Tabelle
 - MATERIAL MARKING
Materialkennzeichnung
 - PRODUCTION DATE
Produktionsdatum
 - CONTACT CAVITY NUMBERING
Kammernumerierung
 - FITS TO TE INTEFACE 208-18182, REV.: A
Passend zur TE Ausfuhrungsvorschrift 208-18182, Rev.: A
 - SUITABLE TO COUNTERPART PN 2382878-1/-2/-3/-4
Passend zu Gegenstueck PN 2382878-1/-2/-3/-4
 - CAVITIES MATED WITH MCON 1.2
SEE PRODUCT GROUP DRAWING
TE-NO.: 1452674
MAX. WIRESIZE: 1.5mm² FLR
Kontaktkammern passend fuer MCON 1.2
siehe Produkt-Gruppenzeichnung
TE-Nr.: 1452674
max. Drahtgroessenbereich 1.5mm² FLR
 - DELIVERY CONDITION IN OPEN POSITION
Lieferzustand im geoeffneten Zustand
 - MALFUNCTION CAUSED BY LACQUER IS NOT COVERED
BY TE WARRANTY.
Funktionsbeeintraechtigung durch Lackieren liegt nicht
im Einfluss und Gewaehrleistungsumfang von TE.
 - REGRIND MAX. 25% PERMITTED
Regranulat max. 25% zulaessig
 - BULK PACKAGING IN CORRUGATED SHIPPING BOX
Schueffgut im Versandkarton

DIMENSION AND TOLERANCES ACCORDING TO:
Bemaessungen und Toleranzen gemäss:

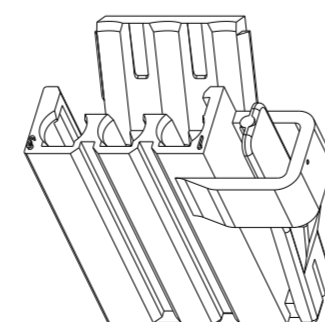
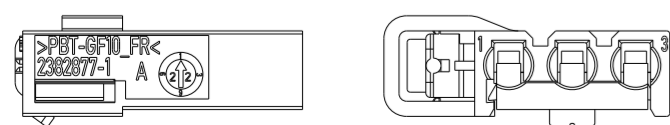
DIN ISO 20457
DIN EN ISO 8015 (AD) - DIN EN ISO 291
DIN EN ISO 14405-1/-2/-3

PART/TCPN NO.	REV.	DESCRIPTION	VOLUME [cm ³]	WEIGHT [g]	MATERIAL	COLOUR	ITEM NO.
2382877-4	B	MCON 1.2 LL REC HOUSING; 3pos - COD D MCON 1.2 LL TAB Buchsengehaeuse; 3pos.	1.0	1.5	PBT-GF10_FR	BLUE blau	1
2382877-3	B	MCON 1.2 LL REC HOUSING; 3pos - COD C MCON 1.2 LL TAB Buchsengehaeuse; 3pos.	1.0	1.5	PBT-GF10_FR	GREEN grün	1
2382877-2	A	MCON 1.2 LL REC HOUSING; 3pos - COD B MCON 1.2 LL TAB Buchsengehaeuse; 3pos.	1.0	1.5	PBT-GF10_FR	GREY grau	1
2382877-1	A	MCON 1.2 LL REC HOUSING; 3pos - COD A MCON 1.2 LL TAB Buchsengehaeuse; 3pos.	1.0	1.5	PBT-GF10_FR	BLACK schwarz	1

REVISION OF EACH ASSY NO (WHEN BLANK, USE DWG REVISION)

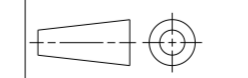
PARTS LIST

SECONDARY LOCK IN END-LOCKED POSITION
2. Kontaktsicherung in Endraststellung



THIS DRAWING IS A CONTROLLED DOCUMENT.

DIMENSIONS:
mm



MATERIAL
SEE TABLE
siehe Tabelle

TOLERANCES UNLESS OTHERWISE SPECIFIED:
 0-PLC ±
 1-PLC ±
 2-PLC ±
 3-PLC ±
 4-PLC ±
 ANGLES ±
 FINISH -

DWN	H. Hinrichs	11APR2022
CHK	P. Wrobel	11MAY2022
APVD	F. Eltrop	11MAY2022
PRODUCT SPEC	108-94833	
APPLICATION SPEC	114-94736	
WEIGHT	1.5	
CUSTOMER DRAWING		

TE Connectivity		NAME	
		MCON 1.2 mm SOCKET HSG.; 3POS. MCON 1.2 mm Buchsengehaeuse; 3pol.	
SIZE	CAGE CODE	DRAWING NO	RESTRICTED TO
A2	00779	C-2382877	-
SCALE	2:1	SHEET	1 OF 1
REV	B		