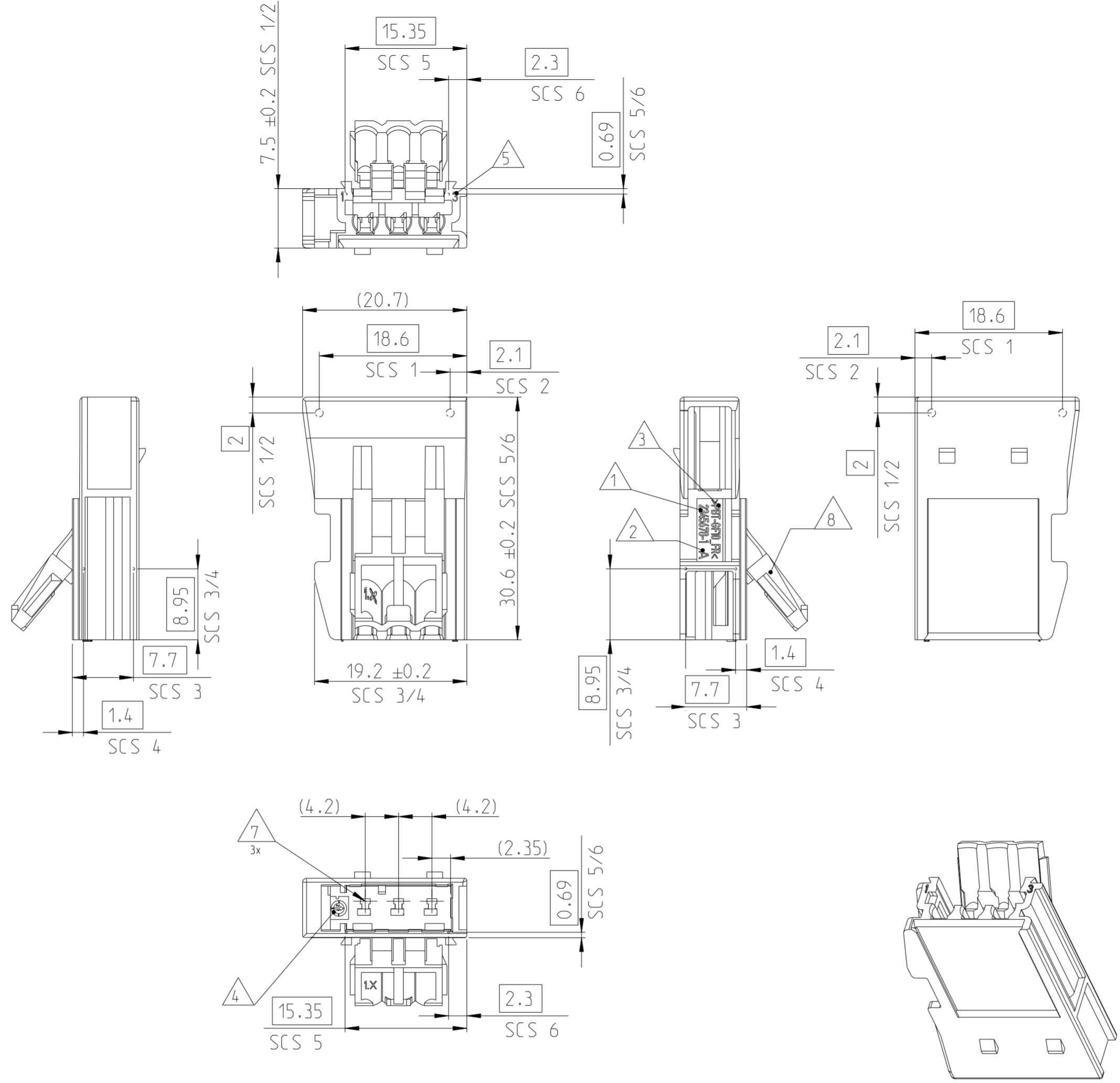
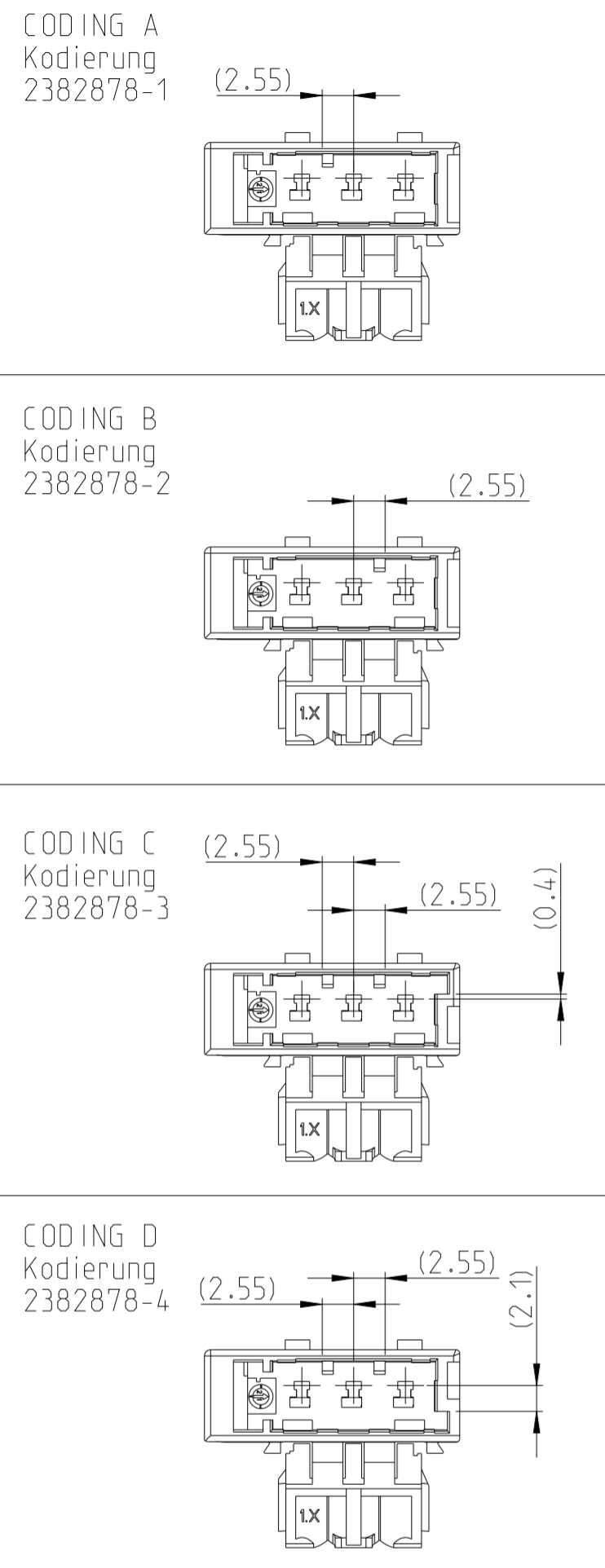
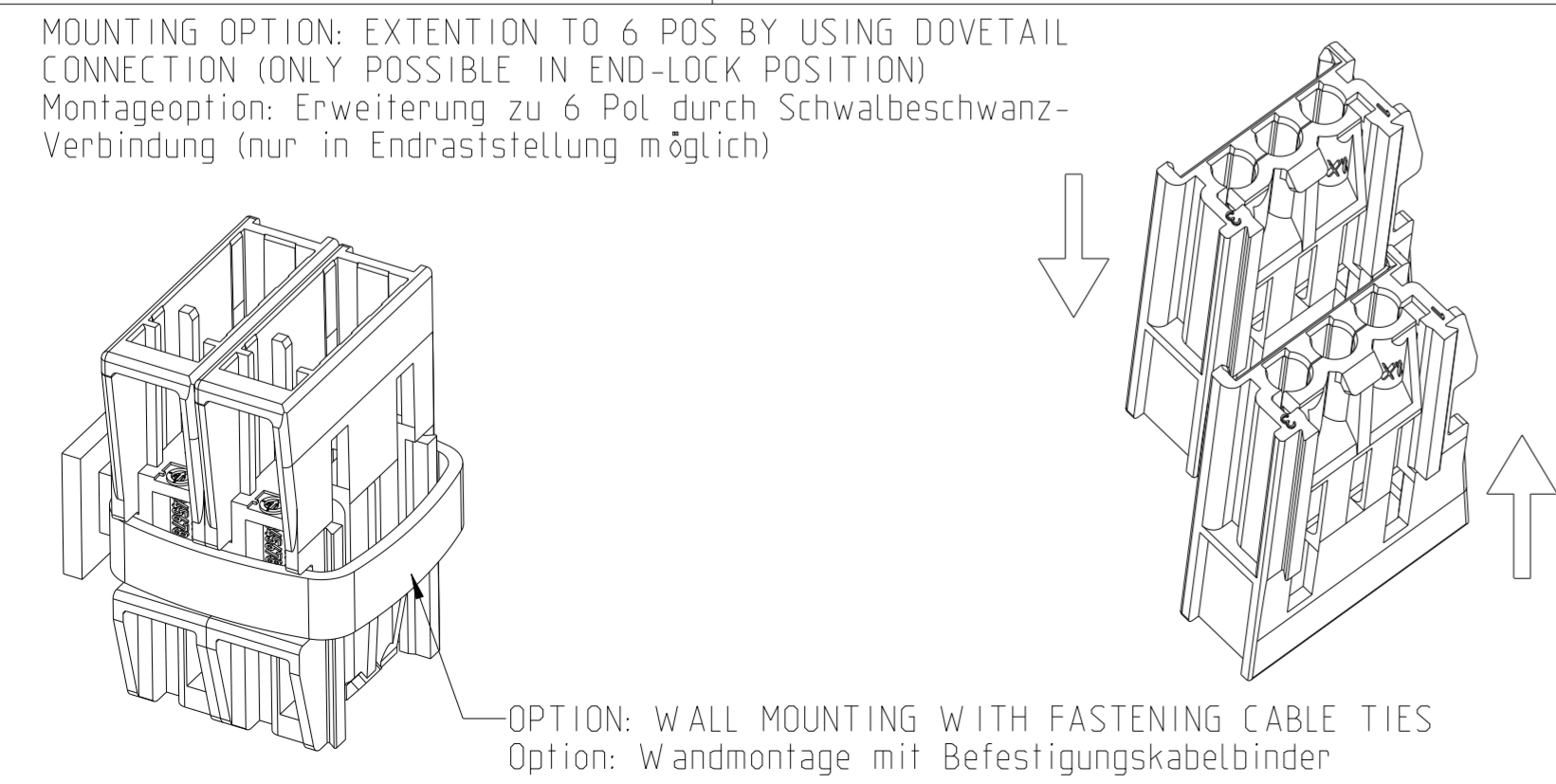


| REVISIONS | | | | | |
|-----------|-----|-------------------------|-----------|-----|------|
| P | LTR | DESCRIPTION | DATE | DWN | APVD |
| A | | NEW DRAWING | 11MAY2022 | HH | PW |
| B | | Coding C and D adjusted | 16MAY2022 | HH | PW |

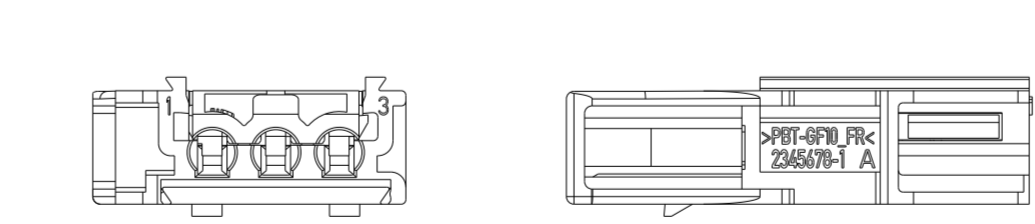


NOTES

- Bemerkungen
- 1 TE-CONNECTIVITY ORDER-NUMBER
TE-Connectivity Bestellnummer
 - 2 REVISION, SEE TABLE
Revision, siehe Tabelle
 - 3 MATERIAL MARKING
Materialkennzeichnung
 - 4 PRODUCTION DATE
Produktionsdatum
 - 5 CONTACT CAVITY NUMBERING
Kammernummerierung
 - 6 SUITABLE TO COUNTERPART PN 2382877-1/-2/-3/-4
Passend zu Gegenstück PN 2382877-1/-2/-3/-3/-4
 - 7 CAVITIES MATED WITH MCON 1.2 LL TAB SEE PRODUCT GROUP DRAWING
TE-NO.: 1418754
MAX. WIRE SIZE: 1.5mm² FLR
Kontaktkammern passend fuer MCON 1.2 LL TAB siehe Produkt-Gruppenzeichnung
TE-Nr.: 1418754
max. Drahtgrößenbereich 1.5mm² FLR
 - 8 DELIVERY CONDITION IN OPEN POSITION
Lieferzustand im geöffneten Zustand
 - 9 MALFUNCTION CAUSED BY LACQUER IS NOT COVERED BY TE WARRANTY.
Funktionsbeeinträchtigung durch Lackieren liegt nicht im Einfluss und Gewährleistungsumfang von TE.
 - 10 REGRIND MAX. 25% PERMITTED
Regranulat max. 25% zulässig
 - 11 BULK PACKAGING IN CORRUGATED SHIPPING BOX
Schüttgut im Versandkarton



SECONDARY LOCK IN END-LOCKED POSITION



DIMENSION AND TOLERANCES ACCORDING TO:
Bemaßungen und Toleranzen gemäß:
DIN ISO 20457
DIN EN ISO 8015 (AD) - DIN EN ISO 291
DIN EN ISO 14405-1/-2/-3

| PART/TCPN NO. | REV. | DESCRIPTION | VOLUME [cm ³] | WEIGHT [g] | MATERIAL | COLOUR | ITEM NO. |
|---------------|------|--|---------------------------|------------|-------------|------------------|----------|
| 2382878-4 | B | MCON 1.2 LL TAB HSG; 3pos - COD D MCON 1.2 LL Flachsteckergehaeuse, 3pol. | 2.0 | 3.0 | PBT-GF10_FR | BLUE blau | 1 |
| 2382878-3 | B | MCON 1.2 LL TAB HSG; 3pos - COD C MCON 1.2 LL Flachsteckergehaeuse, 3pol. | 2.0 | 3.0 | PBT-GF10_FR | GREEN grün | 1 |
| 2382878-2 | A | MCON 1.2 LL TAB HSG; 3pos - COD B MCON 1.2 LL Flachsteckergehaeuse, 3pol. | 2.0 | 3.0 | PBT-GF10_FR | GREY grau | 1 |
| 2382878-1 | A | MCON 1.2 LL TAB HSG; 3pos - COD A MCON 1.2 LL Flachsteckergehaeuse, 3pol. | 2.0 | 3.0 | PBT-GF10_FR | BLACK schwarz | 1 |

REVISION OF EACH ASSY NO (WHEN BLANK, USE DWG REVISION)

| | | | | |
|--|--|---------------------------------|--|-------------------------|
| THIS DRAWING IS A CONTROLLED DOCUMENT. | | DWN H. Hincichs 11APR2022 | TE Connectivity | |
| DIMENSIONS: mm | | CHK P. Wrobel 11MAY2022 | | |
| TOLERANCES UNLESS OTHERWISE SPECIFIED: | | APVD F. Eltrop 11MAY2022 | NAME MCON 1.2 LL TAB HSG, 3POS MCON 1.2 LL Flachsteckergehaeuse, 3 pol | |
| | | PRODUCT SPEC 108-94833 | RESTRICTED TO | |
| MATERIAL SEE TABLE siehe Tabelle | | FINISH - | APPLICATION SPEC 114-94736 | SIZE A2 |
| | | WEIGHT 3.0 | CAGE CODE 00779 | DRAWING NO C-2382878 |
| | | CUSTOMER DRAWING | SCALE 2:1 | SHEET 1 OF 1 |
| | | | | REV B |