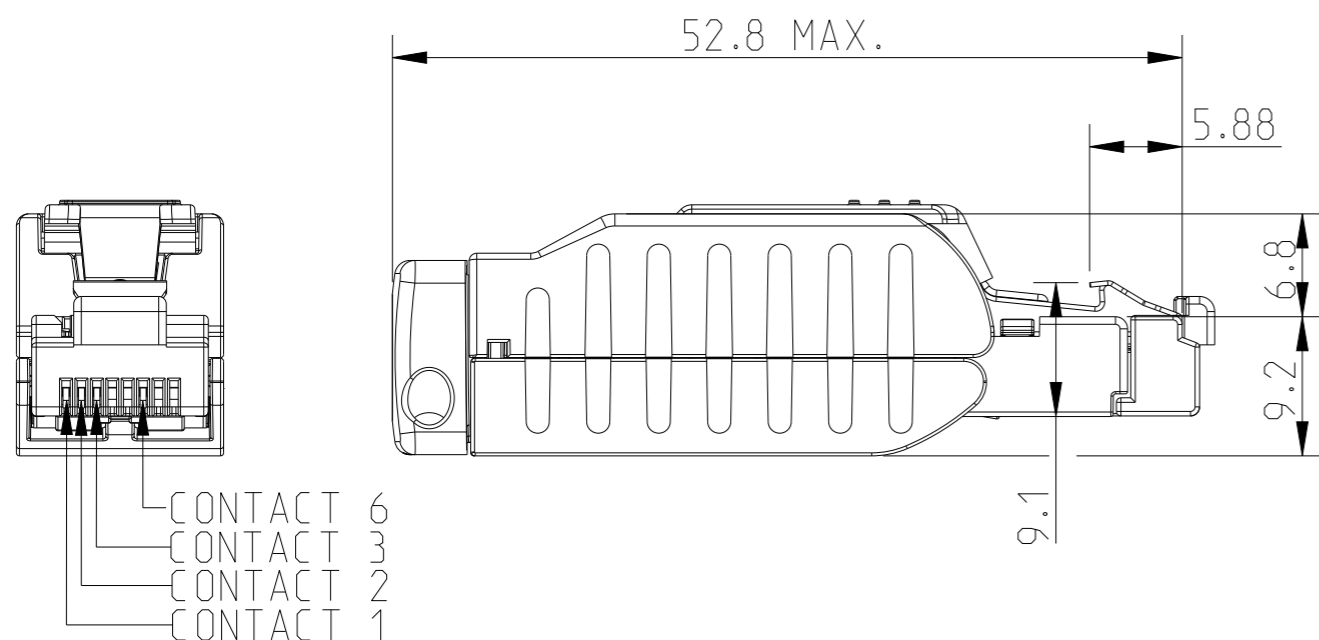
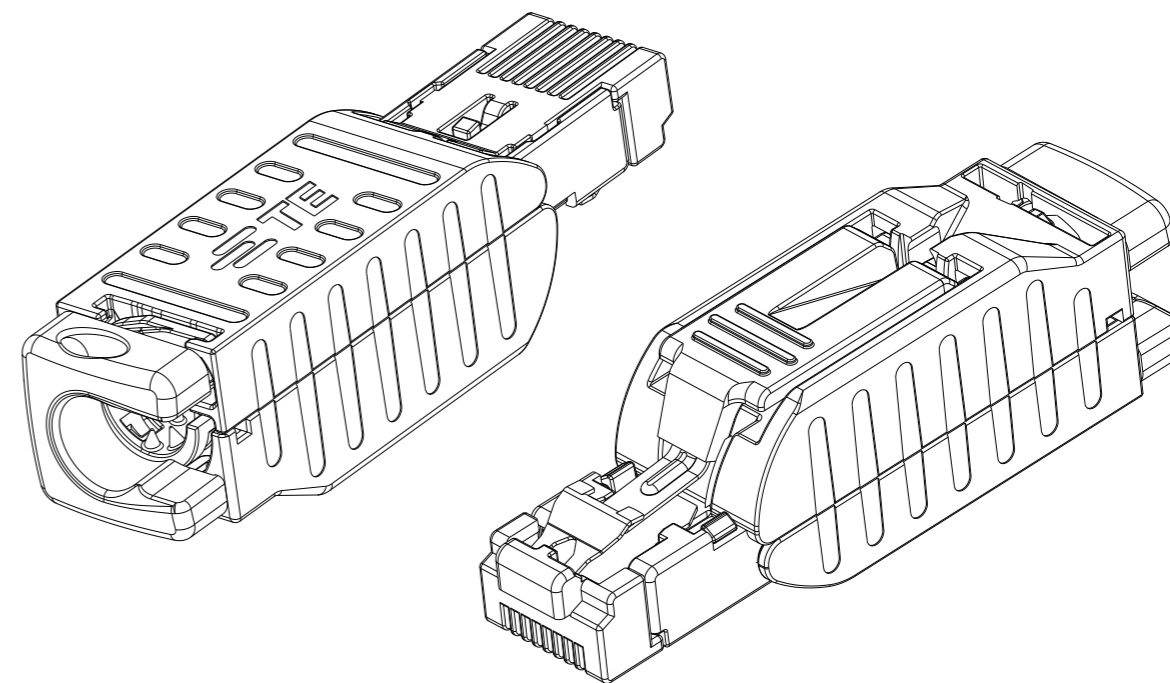
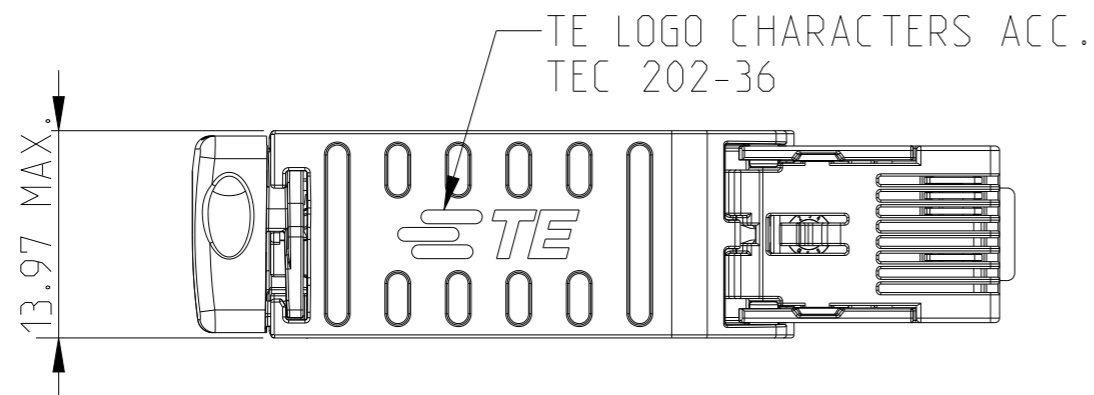


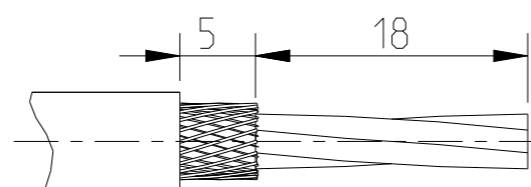
P	LTR	DESCRIPTION	DATE	DWN	APVD
A1		RELEASE TO PRODUCTION	22SEP2022	SS	JDB
A2		DIMENSIONAL TOLERANCES REMOVED	28SEP2022	SS	JDB
A3		NOTE 3 ADDED (PROP 65 WARNING)	07FEB2023	SS	JDB
A4		PROP 65 LOGO CHEMICAL NAME CORRECTION	15JUL2024	KA	SS



COLOR ALLOCATION OF TERMINAL WIRE TO RJ45 CONTACT:

CONTACT NO.	WIRE COLOR
1	YELLOW
2	ORANGE
3	WHITE
6	BLUE

RECOMMENDED STRIPPING LENGTH



50	10	1	CONNECTOR PACKED WITH INSTRUCTION SHEET
-3	-2	-1	DESCRIPTION
QTY REQD PER ASSY			PART LIST

- MATES WITH RJ45 SOCKET ACC. TO IEC 60603-7:2008
- VISUAL INSPECTION, OF THE DIE CAST PARTS, ACCORDING TO TE-SPEC. 101-85241

3 PROP 65 WARNING LABEL: SEE SHEET 2

THIS DRAWING IS A CONTROLLED DOCUMENT.

DIMENSIONS:  
mm



MATERIAL  
GD-Zn

TOLERANCES UNLESS OTHERWISE SPECIFIED:  
0 PLC ±  
1 PLC ± 0.3  
2 PLC ±  
3 PLC ±  
4 PLC ±  
ANGLES ±3°  
FINISH Ni

DWN S SHARMA 15SEP2021

CHK N TAMMINEN 15SEP2021

APVD J DE BRUIJN 15SEP2021

PRODUCT SPEC 108-94864

APPLICATION SPEC 114-94765

WEIGHT -

CUSTOMER DRAWING

**TE** TE Connectivity

NAME RJ45 FIELD INSTALLABLE CABLE CONN.

SIZE A3 CAGE CODE 00779 DRAWING NO. C-2383216 RESTRICTED TO -


SCALE 2:1 SHEET 1 OF 2 REV A4

REVISIONS					
P	LTR	DESCRIPTION	DATE	DWN	APVD
	-	SEE SHEET 1	-	-	-

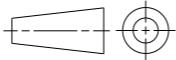
NOTES: CONTINUATION FROM SHEET 1:

3 PROP 65 WARNING LABEL:

- THE WARNING LABEL ON THE PRODUCT OR LOWEST LEVEL PACKAGING.
- CHEMICAL NAME: NICKEL (METALLIC)



**WARNING:** This product can expose you to chemicals including NICKEL (METALLIC) which is known to the state of California to cause cancer. For more information, visit [www.P65Warnings.ca.gov](http://www.P65Warnings.ca.gov).

THIS DRAWING IS A CONTROLLED DOCUMENT.		DWN S SHARMA 15SEP2021	<b>TE</b> TE Connectivity			
DIMENSIONS: mm		CHK N TAMMINEN 15SEP2021				
		APVD J DE BRUIJN 15SEP2021	NAME RJ45 FIELD INSTALLABLE CABLE CONN.			
		PRODUCT SPEC 108-94864	-			
TOLERANCES UNLESS OTHERWISE SPECIFIED: 0 PLC ± 1 PLC ± 2 PLC ± 0.3 3 PLC ± 4 PLC ± ANGLES ±3°		APPLICATION SPEC 114-94765	SIZE A3	CAGE CODE 00779	DRAWING NO C-2383216	RESTRICTED TO -
MATERIAL GD-Zn	FINISH Ni	WEIGHT -	CUSTOMER DRAWING			
			SCALE 2:1	SHEET 2 OF 2	REV A4	