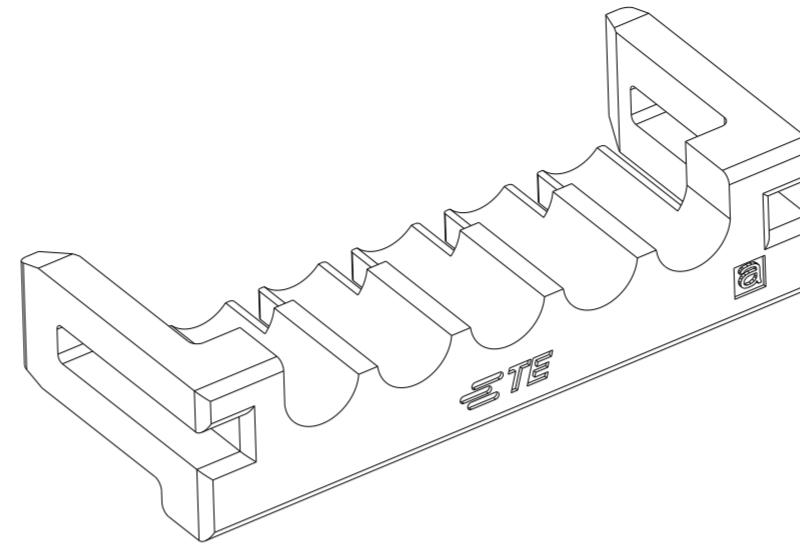
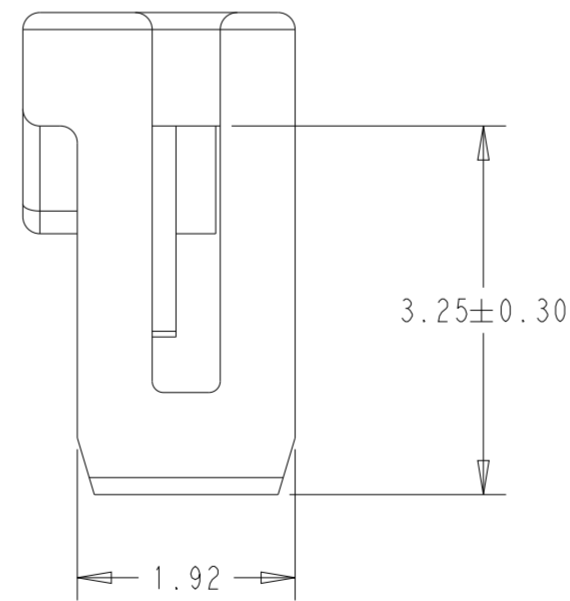
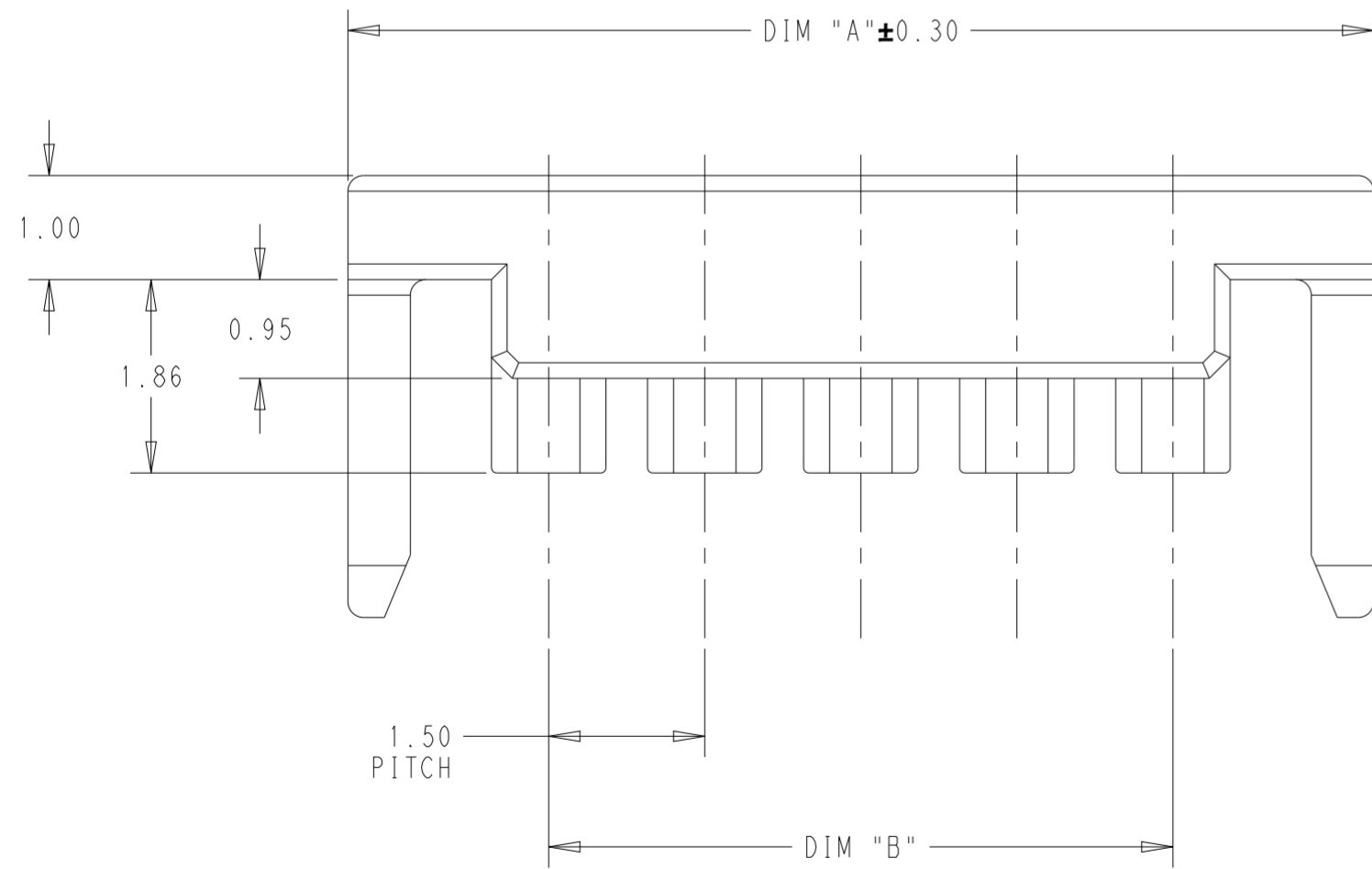
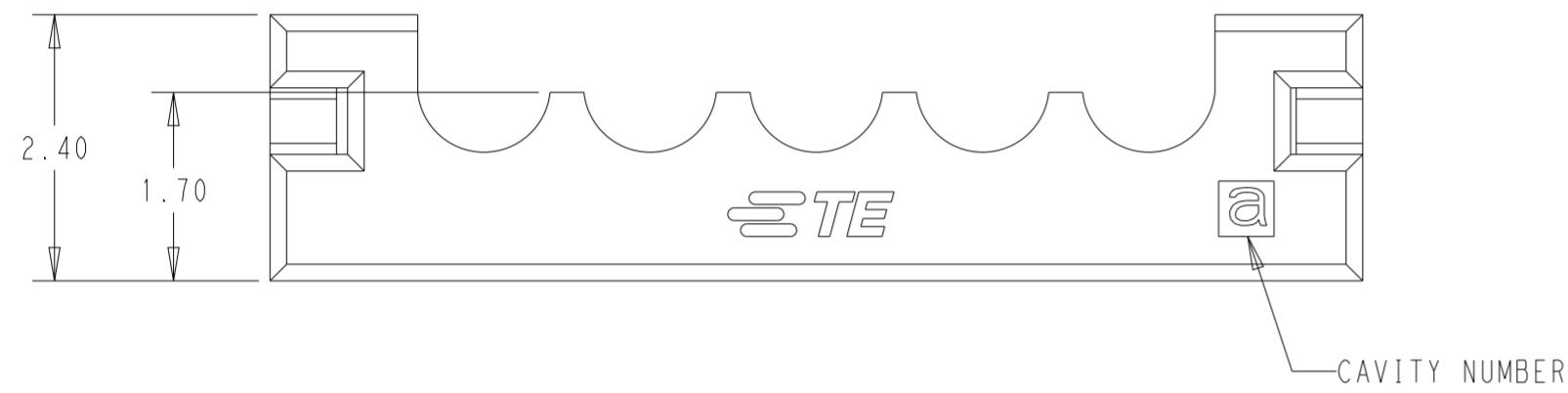


P	LTR	DESCRIPTION	DATE	DWN	APVD
A		INITIAL RELEASE	07APR2022	N.H	L.C
B		REVISED PER ECR-24-206382	29SEP2024	N.H	L.C

5 POSITION SHOWN



- 1 MATERIAL: PBT, COLOR: SEE TABLE
- 2 RECOMMENDED MATING PART: X-2382946-X
- 3 PACKAGING: LOOSE PIECE



DIM B	DIM A	COLOR	DESCRIPTION	TCPN
1.5	5.36	BLACK	SGI 1.50, TPA, 2 POS, BLACK	2383410-2
3.0	6.86		SGI 1.50, TPA, 3 POS, BLACK	2383410-3
4.5	8.36		SGI 1.50, TPA, 4 POS, BLACK	2383410-4
6.0	9.86		SGI 1.50, TPA, 5 POS, BLACK	2383410-5
7.5	11.36		SGI 1.50, TPA, 6 POS, BLACK	2383410-6
9.0	12.86		SGI 1.50, TPA, 7 POS, BLACK	2383410-7
10.5	14.36		SGI 1.50, TPA, 8 POS, BLACK	2383410-8
12.0	15.86		SGI 1.50, TPA, 9 POS, BLACK	2383410-9
13.5	17.36		SGI 1.50, TPA, 10 POS, BLACK	1-2383410-0
15.0	18.86		SGI 1.50, TPA, 11 POS, BLACK	1-2383410-1
16.5	20.36		SGI 1.50, TPA, 12 POS, BLACK	1-2383410-2
1.5	5.36		NATURAL	SGI 1.50, TPA, 2 POS, NATURAL
3.0	6.86	SGI 1.50, TPA, 3 POS, NATURAL		2-2383410-3
4.5	8.36	SGI 1.50, TPA, 4 POS, NATURAL		2-2383410-4
6.0	9.86	SGI 1.50, TPA, 5 POS, NATURAL		2-2383410-5
7.5	11.36	SGI 1.50, TPA, 6 POS, NATURAL		2-2383410-6
9.0	12.86	SGI 1.50, TPA, 7 POS, NATURAL		2-2383410-7
10.5	14.36	SGI 1.50, TPA, 8 POS, NATURAL		2-2383410-8
12.0	15.86	SGI 1.50, TPA, 9 POS, NATURAL		2-2383410-9
13.5	17.36	SGI 1.50, TPA, 10 POS, NATURAL		3-2383410-0
15.0	18.86	SGI 1.50, TPA, 11 POS, NATURAL		3-2383410-1
16.5	20.36	SGI 1.50, TPA, 12 POS, NATURAL		3-2383410-2

THIS DRAWING IS A CONTROLLED DOCUMENT.

DIMENSIONS: mm	TOLERANCES UNLESS OTHERWISE SPECIFIED: 0 PLC ± 1 PLC ±0.30 2 PLC ±0.15 3 PLC ± 4 PLC ± ANGLES ± FINISH	DWN LEO CHEN 17DEC2020 CHK DANIEL ZHANG 17DEC2020 APVD DANIEL ZHANG 17DEC2020	PRODUCT SPEC 108-106451 APPLICATION SPEC 114-106497	NAME TPA, SGI 1.50
MATERIAL SEE NOTE		PRODUCT SPEC 108-106451	WEIGHT -	SIZE A2 CAGE CODE 00779 DRAWING NO. C-2383410 RESTRICTED TO
		CUSTOMER DRAWING	SCALE 15:1 SHEET 1 OF 2 REV B	

4

3

2

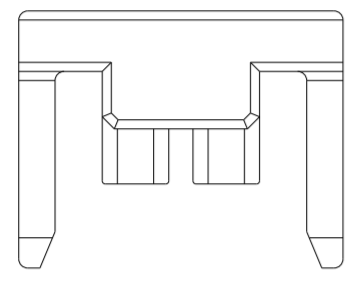
1

© 2022 TE Connectivity. All Rights Reserved.

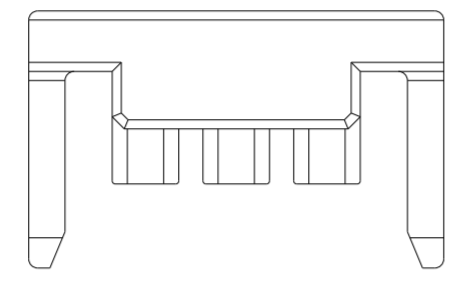
REVISIONS

P	LTR	DESCRIPTION	DATE	DWN	APVD
		SEE SHEET 1			

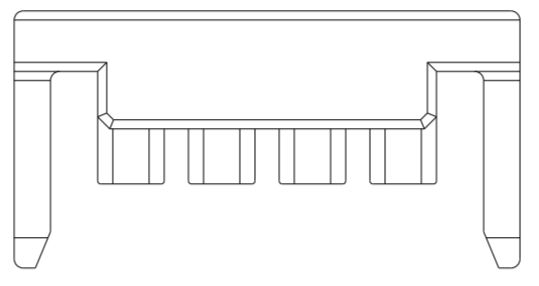
2 POSITION



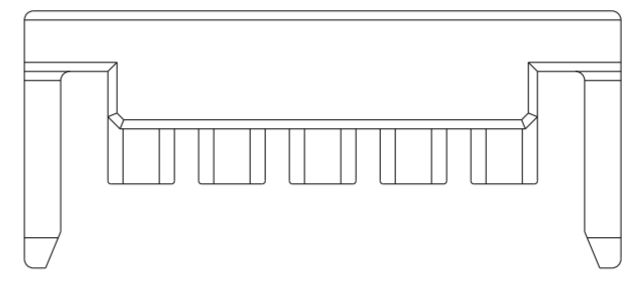
3 POSITION



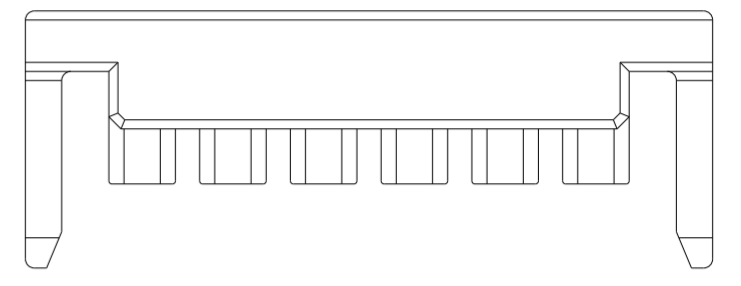
4 POSITION



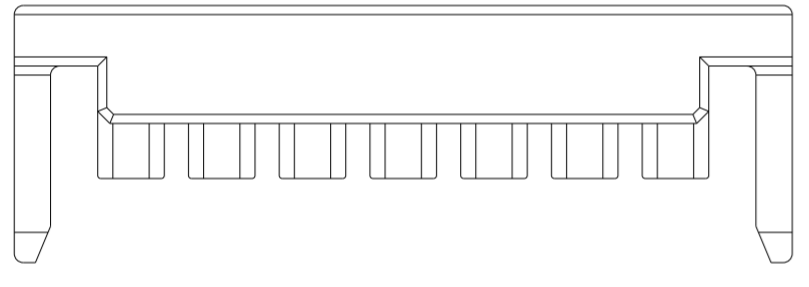
5 POSITION



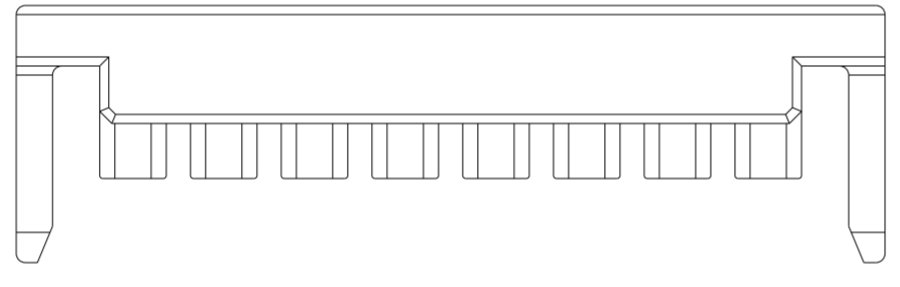
6 POSITION



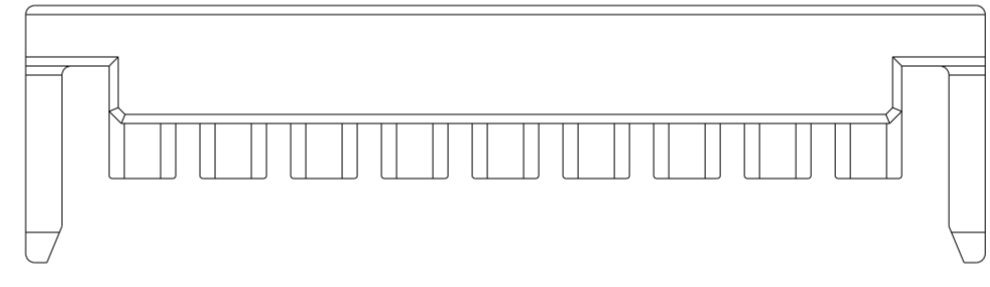
7 POSITION



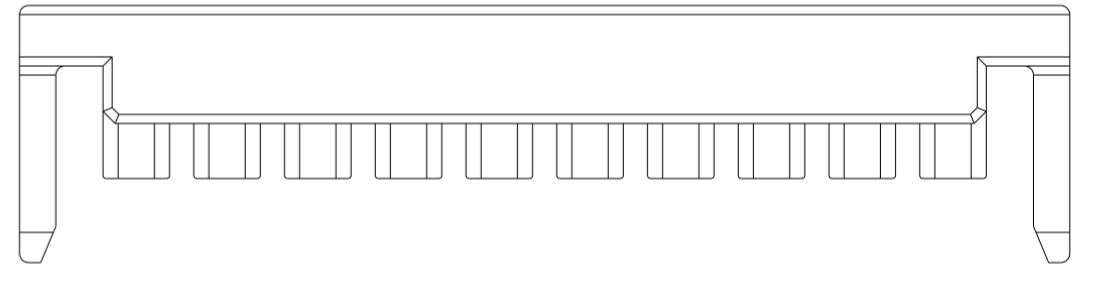
8 POSITION



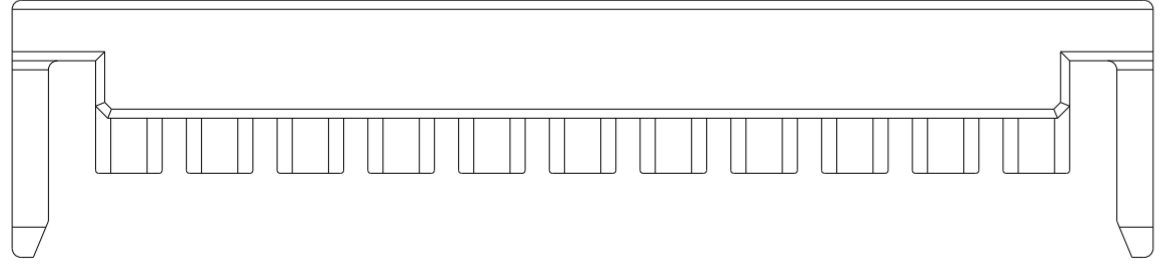
9 POSITION



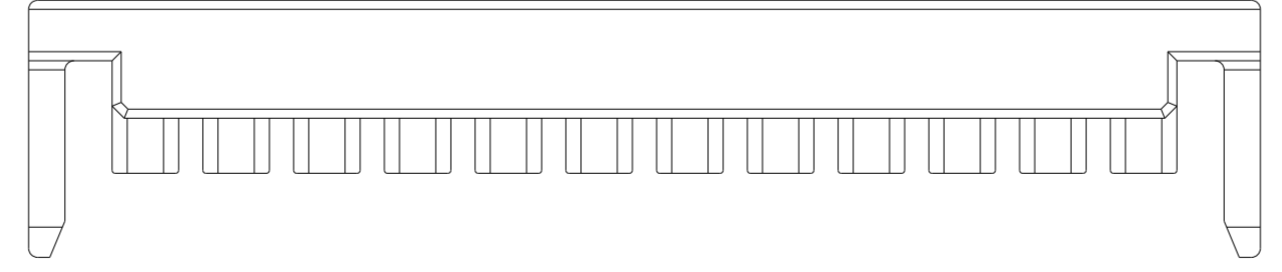
10 POSITION




11 POSITION



12 POSITION



THIS DRAWING IS A CONTROLLED DOCUMENT.		DWN LEO CHEN 17DEC2020	 TE Connectivity																						
DIMENSIONS: mm		CHK DANIEL ZHANG 17DEC2020																							
TOLERANCES UNLESS OTHERWISE SPECIFIED:		APVD DANIEL ZHANG 17DEC2020	NAME TPA, SGI 1.50																						
<table border="0"> <tr><td>0 PLC</td><td>±</td><td>-</td></tr> <tr><td>1 PLC</td><td>±0.30</td><td>-</td></tr> <tr><td>2 PLC</td><td>±0.15</td><td>-</td></tr> <tr><td>3 PLC</td><td>±</td><td>-</td></tr> <tr><td>4 PLC</td><td>±</td><td>-</td></tr> <tr><td>ANGLES</td><td>±</td><td>-</td></tr> <tr><td>FINISH</td><td>-</td><td>-</td></tr> </table>		0 PLC	±	-	1 PLC	±0.30	-	2 PLC	±0.15	-	3 PLC	±	-	4 PLC	±	-	ANGLES	±	-	FINISH	-	-	PRODUCT SPEC 108-106451	RESTRICTED TO -	
0 PLC	±	-																							
1 PLC	±0.30	-																							
2 PLC	±0.15	-																							
3 PLC	±	-																							
4 PLC	±	-																							
ANGLES	±	-																							
FINISH	-	-																							
MATERIAL SEE NOTE		APPLICATION SPEC 114-106497	SIZE A2	CAGE CODE 00779	DRAWING NO C-2383410																				
		WEIGHT -	SCALE 15:1		SHEET 2 OF 2																				
		CUSTOMER DRAWING	REV B																						