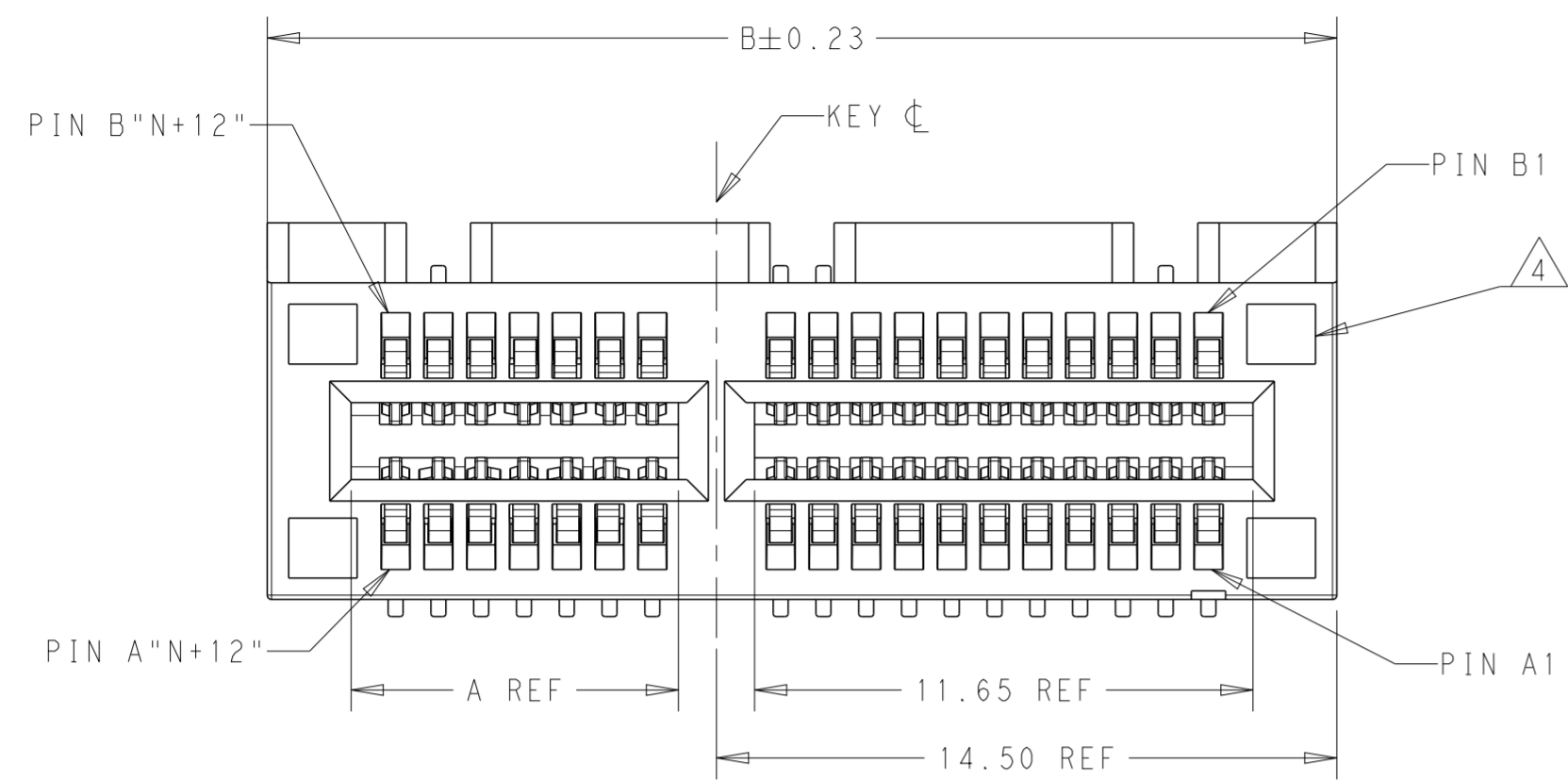


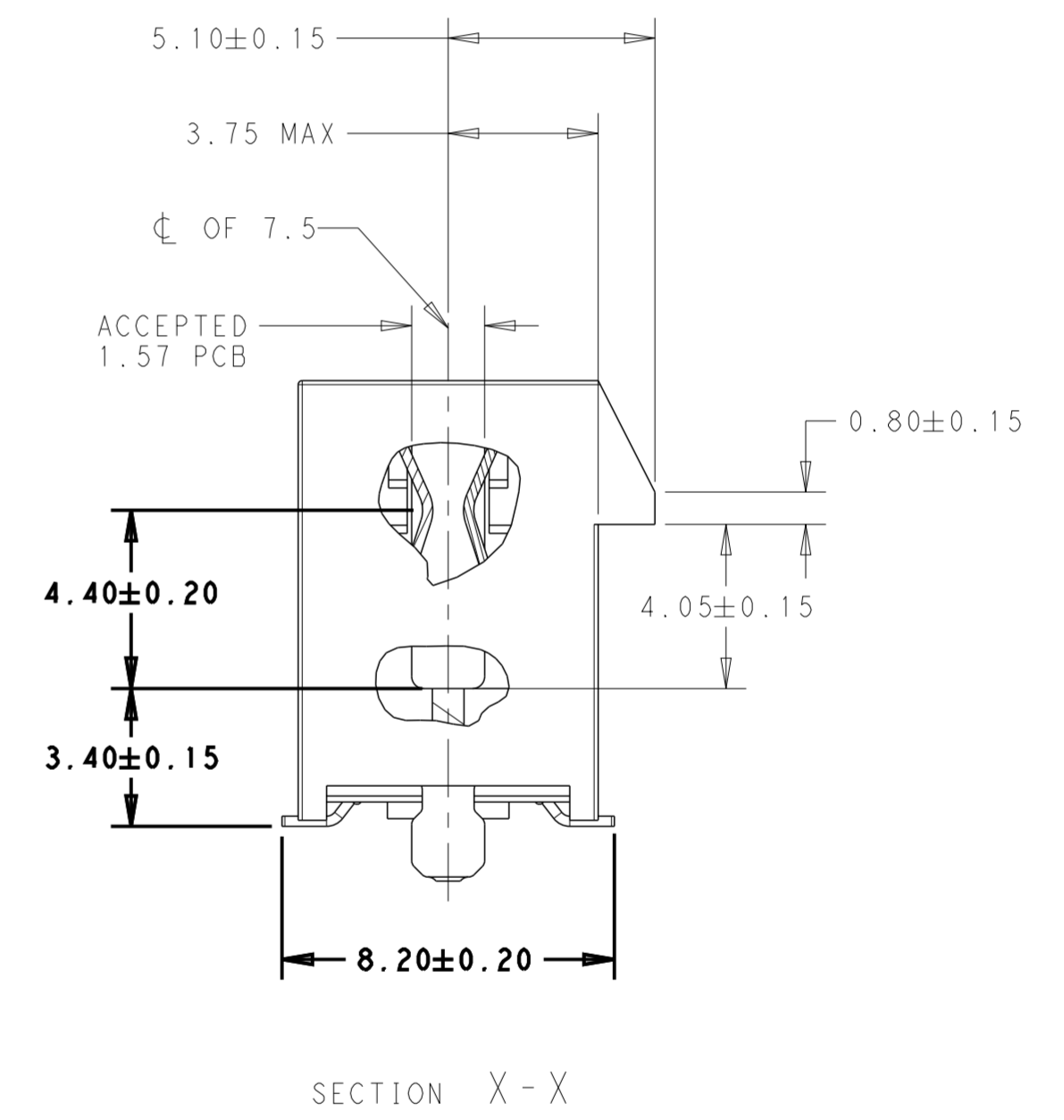
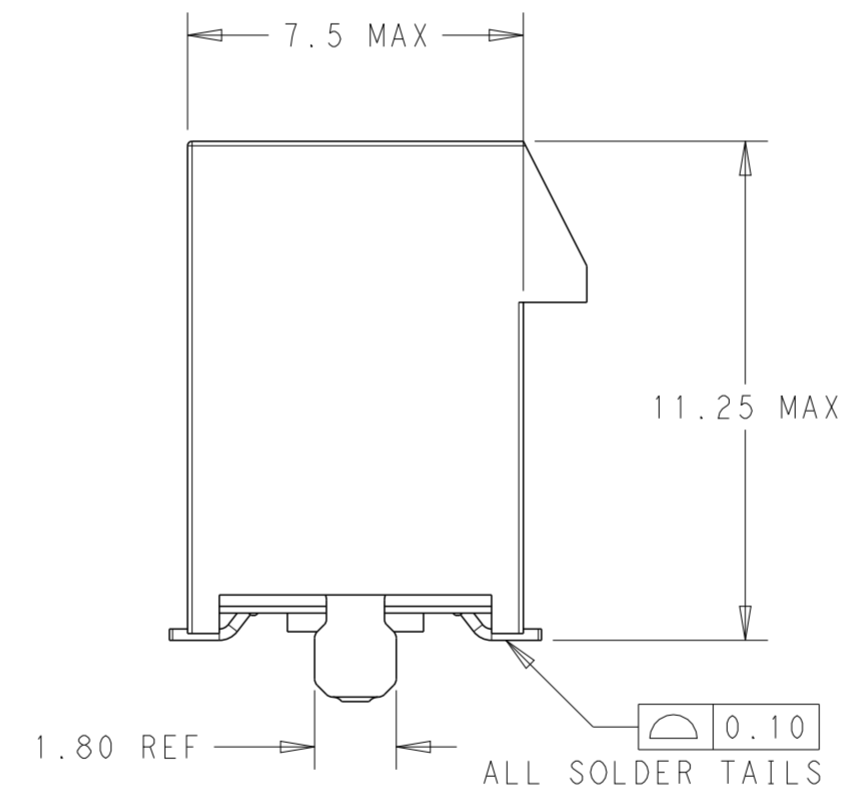
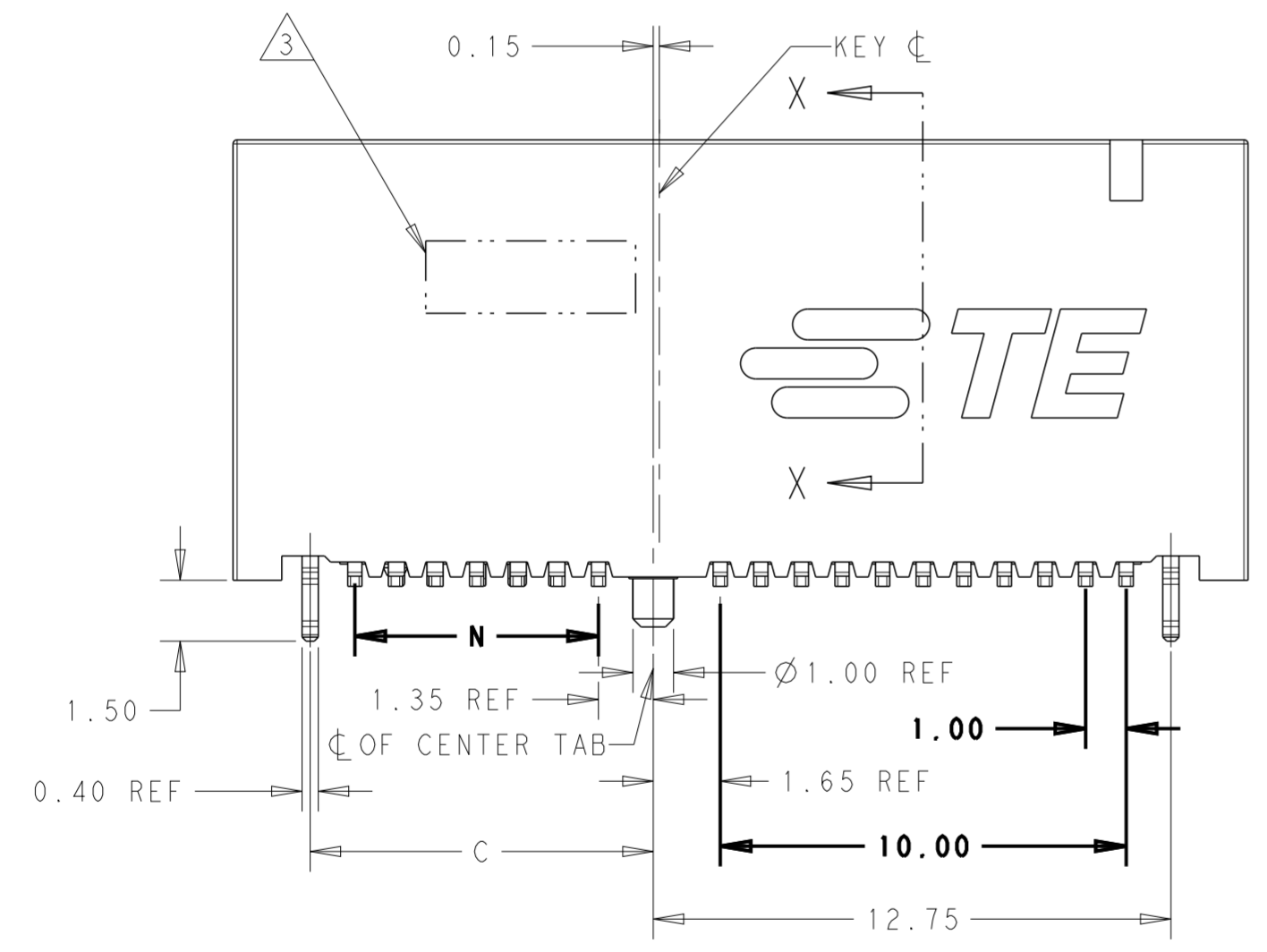
THIS DRAWING IS UNPUBLISHED. RELEASED FOR PUBLICATION 20
 © COPYRIGHT 20 BY - ALL RIGHTS RESERVED.

REVISIONS					
P	LTR	DESCRIPTION	DATE	DWN	APVD
A		A REVISION RELEASE	7JUNE2022	SY	HL
B		UPDATE HARD TRAY IN SHEET 5	24NOV2022	MC	HL



NOTES:

- 1 MATERIAL:
HOUSING: HIGH-TEMP PLASTIC; BLACK, UL 94V-0
CONTACT: COPPER ALLOY
SOLDER TAB: STAINLESS STEEL
- 2 FINISH:
(SEE TABLE) 0.1 INCH GOLD PLATING OR GOLD FLASH OVER PdNi ON CONTACT AREA.
2.54um MATTE-TIN PLATING ON SOLDER TAIL AREA.
1.27um NICKEL UNDERPLATING OVERALL.
- 3 PCIE5, PART NUMBER AND DC PRINTED IN APPROPRIATE AREA OR OPPOSITE.
- 4 SUCH CORE AVOIDS PER MANUFACTURER'S CONVENIENCE


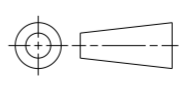


THIS DRAWING IS A CONTROLLED DOCUMENT.		DWN SANDERS_YAN 14DEC2020	TE Connectivity	
DIMENSIONS: mm		CHK MIKE_CHEN 14DEC2020		
TOLERANCES UNLESS OTHERWISE SPECIFIED:		APVD HOPE_LU 14DEC2020	NAME PCI EXPRESS CARD EDGE CONNECTOR GEN5, 1.5 SOLDER TAB AND CENTER POST	
0 PLC ±	1 PLC ±0.3	PRODUCT SPEC 108-160247	SIZE A2	CAGE CODE 00779
2 PLC ±0.20	3 PLC ±0.050	APPLICATION SPEC -	DRAWING NO C-2384214	RESTRICTED TO -
4 PLC ±	ANGLES ±	WEIGHT -	SCALE 6:1	SHEET 1 OF 6
MATERIAL - 1	FINISH - 2	CUSTOMER DRAWING	REV B	

THIS DRAWING IS UNPUBLISHED. RELEASED FOR PUBLICATION 20
 © COPYRIGHT 20 BY - ALL RIGHTS RESERVED.

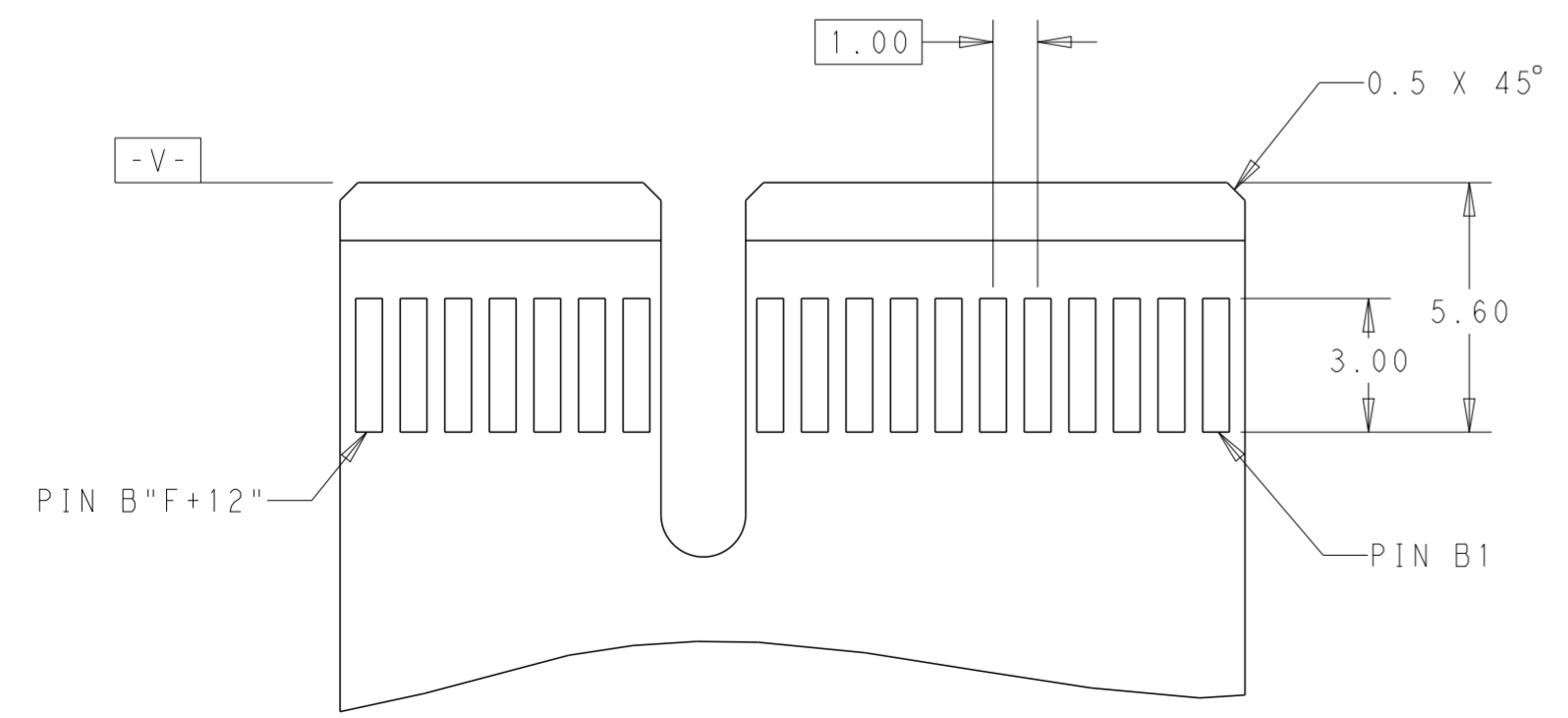
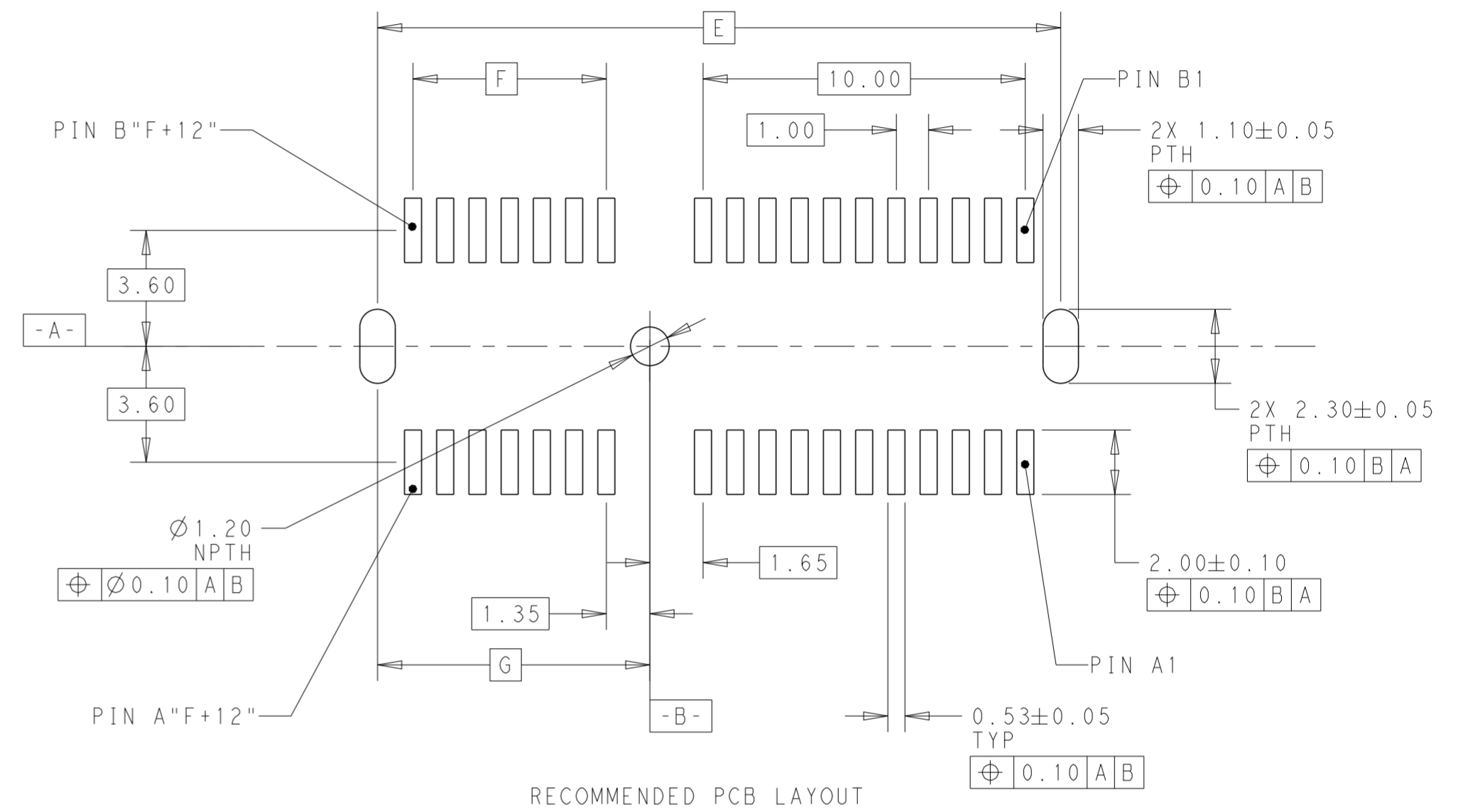
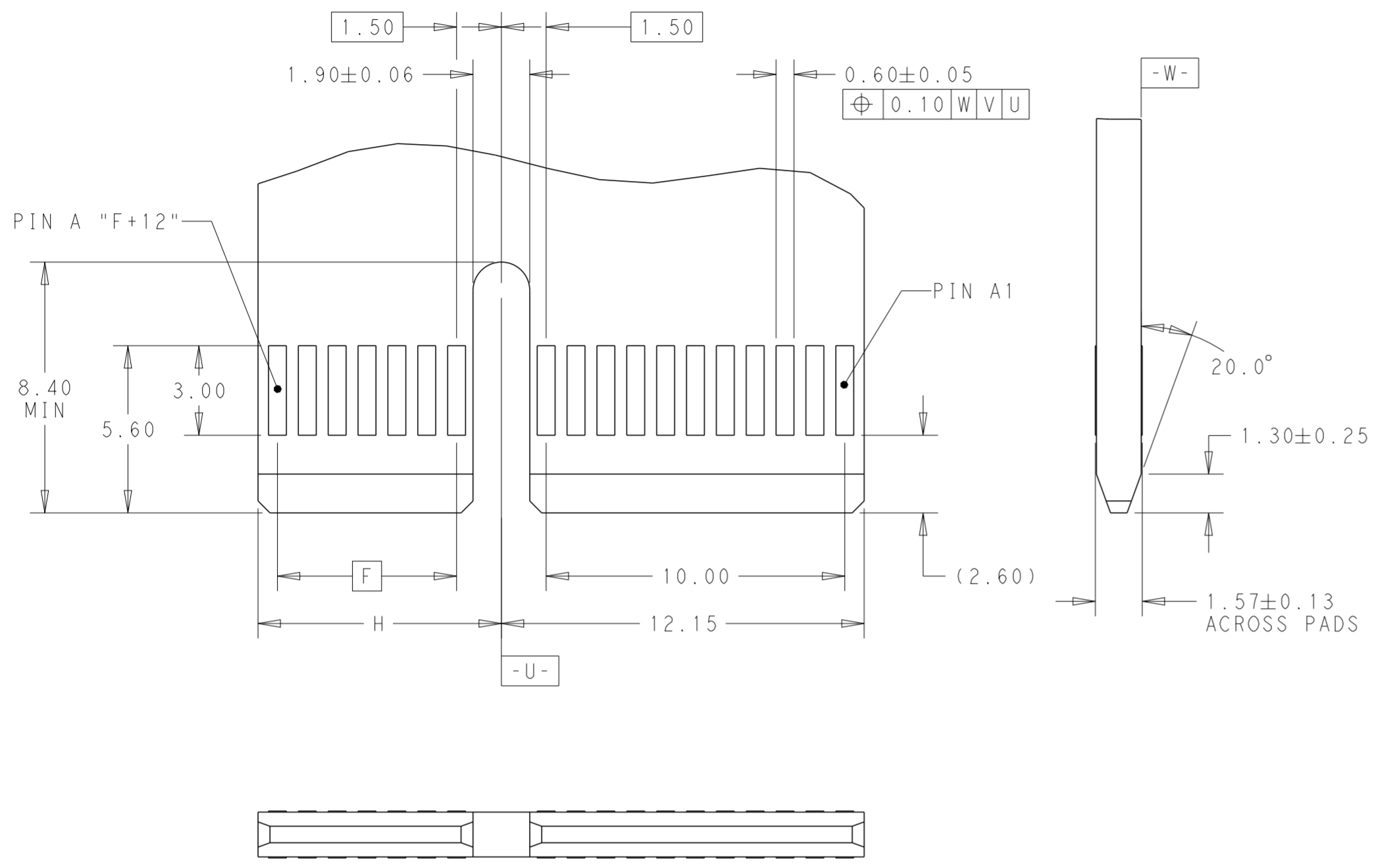
REVISIONS					
P	LTR	DESCRIPTION	DATE	DWN	APVD
-	-	SEE SHEET 1	-	-	-

30u"	45.0	8	44.5	70	72.45	89	71.65	164	7-2384214-4
30u"	86.5	8	44.5	70	72.45	89	71.65	164	5-2384214-8
30u"	53.5	8	28	37	39.45	56	38.65	98	5-2384214-7
30u"	36.5	8	19.5	20	22.45	39	21.65	64	5-2384214-6
30u"	22.5	8	12.5	6	8.45	25	7.65	36	5-2384214-5
30u"	10.0	8	44.5	70	72.45	89	71.65	164	5-2384214-4
30u"	10.0	8	28	37	39.45	56	38.65	98	5-2384214-3
30u"	10.0	8	19.5	20	22.45	39	21.65	64	5-2384214-2
30u"	10.0	8	12.5	6	8.45	25	7.65	36	5-2384214-1
15u"	86.5	8	44.5	70	72.45	89	71.65	164	4-2384214-8
15u"	53.5	8	28	37	39.45	56	38.65	98	4-2384214-7
15u"	36.5	8	19.5	20	22.45	39	21.65	64	4-2384214-6
15u"	22.5	8	12.5	6	8.45	25	7.65	36	4-2384214-5
15u"	10.0	8	44.5	70	72.45	89	71.65	164	4-2384214-4
15u"	10.0	8	28	37	39.45	56	38.65	98	4-2384214-3
15u"	10.0	8	19.5	20	22.45	39	21.65	64	4-2384214-2
15u"	10.0	8	12.5	6	8.45	25	7.65	36	4-2384214-1
G/F	86.5	8	44.5	70	72.45	89	71.65	164	3-2384214-8
G/F	53.5	8	28	37	39.45	56	38.65	98	3-2384214-7
G/F	36.5	8	19.5	20	22.45	39	21.65	64	3-2384214-6
G/F	22.5	8	12.5	6	8.45	25	7.65	36	3-2384214-5
G/F	10.0	8	44.5	70	72.45	89	71.65	164	3-2384214-4
G/F	10.0	8	28	37	39.45	56	38.65	98	3-2384214-3
G/F	10.0	8	19.5	20	22.45	39	21.65	64	3-2384214-2
G/F	10.0	8	12.5	6	8.45	25	7.65	36	3-2384214-1
30u"	NA	NA	44.5	70	72.45	89	71.65	164	2-2384214-4
30u"	NA	NA	28	37	39.45	56	38.65	98	2-2384214-3
30u"	NA	NA	19.5	20	22.45	39	21.65	64	2-2384214-2
30u"	NA	NA	12.5	6	8.45	25	7.65	36	2-2384214-1
15u"	NA	NA	44.5	70	72.45	89	71.65	164	1-2384214-4
15u"	NA	NA	28	37	39.45	56	38.65	98	1-2384214-3
15u"	NA	NA	19.5	20	22.45	39	21.65	64	1-2384214-2
15u"	NA	NA	12.5	6	8.45	25	7.65	36	1-2384214-1
G/F	NA	NA	44.5	70	72.45	89	71.65	164	2384214-4
G/F	NA	NA	28	37	39.45	56	38.65	98	2384214-3
G/F	NA	NA	19.5	20	22.45	39	21.65	64	2384214-2
G/F	NA	NA	12.5	6	8.45	25	7.65	36	2384214-1
PRECIOUS PLATING THICKNESS (TOTAL)	W	V	J	N	C	B	A	POS.	PART NUMBER
	MYLAR SIZE (PAGE 4)								

THIS DRAWING IS A CONTROLLED DOCUMENT.		DWN SANDERS YAN 14DEC2020	 TE Connectivity	
DIMENSIONS: mm		CHK MIKE CHEN 14DEC2020		
		APVD HOPE LU 14DEC2020	NAME PCI EXPRESS CARD EDGE CONNECTOR GEN5, 1.5 SOLDER TAB AND CENTER POST	
TOLERANCES UNLESS OTHERWISE SPECIFIED:		PRODUCT SPEC 108-160247	RESTRICTED TO	
0 PLC ±-		APPLICATION SPEC -	SIZE A2	CAGE CODE 00779
1 PLC ±0.3		WEIGHT -	DRAWING NO C-2384214	SCALE 6:1
2 PLC ±0.20		CUSTOMER DRAWING	SHEET 2 OF 6	REV B
3 PLC ±0.050				
4 PLC ±-				
ANGLES ±-				
FINISH -				

THIS DRAWING IS UNPUBLISHED. RELEASED FOR PUBLICATION 20
 © COPYRIGHT 20 BY - ALL RIGHTS RESERVED.

REVISIONS				
P	LTR	DESCRIPTION	DATE	APVD
-	-	SEE SHEET 1	-	-



ADD-IN CARD EDGE-FINGER DIMENSION
 DEFAULT TOLERANCE ±0.13

164	85.20	70	72.45	72.15
98	52.20	37	39.45	39.15
64	35.20	20	22.45	22.15
36	21.20	6	8.45	8.15
POS.	DIM. E	DIM. F	DIM. G	DIM. H

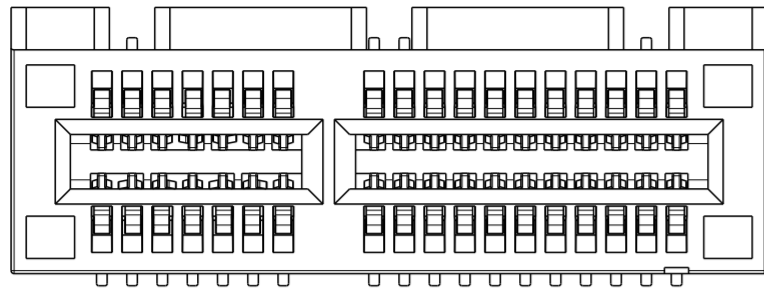
THIS DRAWING IS A CONTROLLED DOCUMENT.

DWN SANDERS YAN 14DEC2020	 TE Connectivity	NAME PCI EXPRESS CARD EDGE CONNECTOR GEN5, 1.5 SOLDER TAB AND CENTER POST
CHK MIKE CHEN 14DEC2020		
APVD HOPE LU 14DEC2020		
PRODUCT SPEC 108-160247		
MATERIAL	SIZE A200779	CAGE CODE C-2384214
WEIGHT	SCALE 6:1	SHEET 3 OF 6
CUSTOMER DRAWING	REV B	

THIS DRAWING IS UNPUBLISHED. RELEASED FOR PUBLICATION 20
 © COPYRIGHT 20 BY - ALL RIGHTS RESERVED.

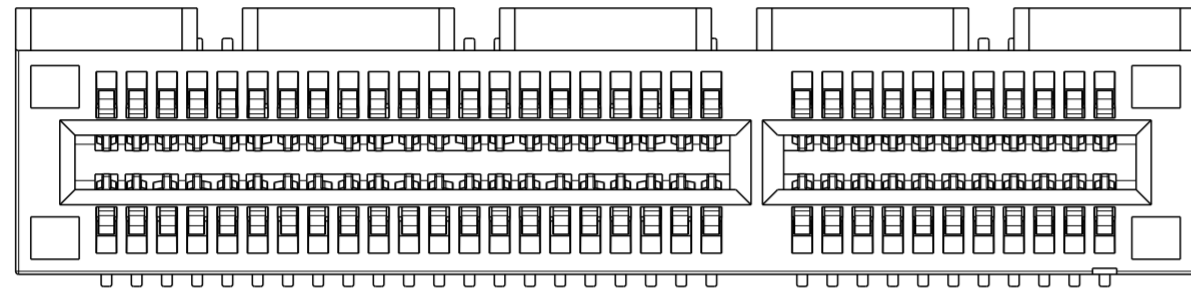
REVISIONS				
P	LTR	DESCRIPTION	DATE	APVD
-	-	SEE SHEET 1	-	-

FRONT VIEW



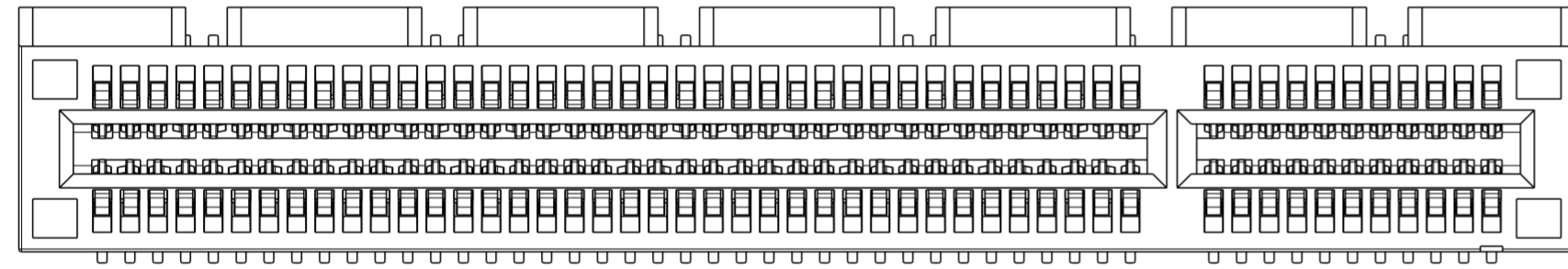
36POS AS SHOWN
SCALE 4:1

FRONT VIEW



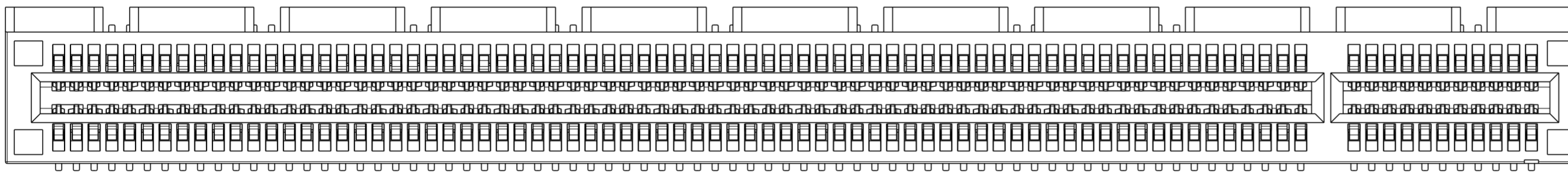
64POS AS SHOWN
SCALE 4:1

FRONT VIEW

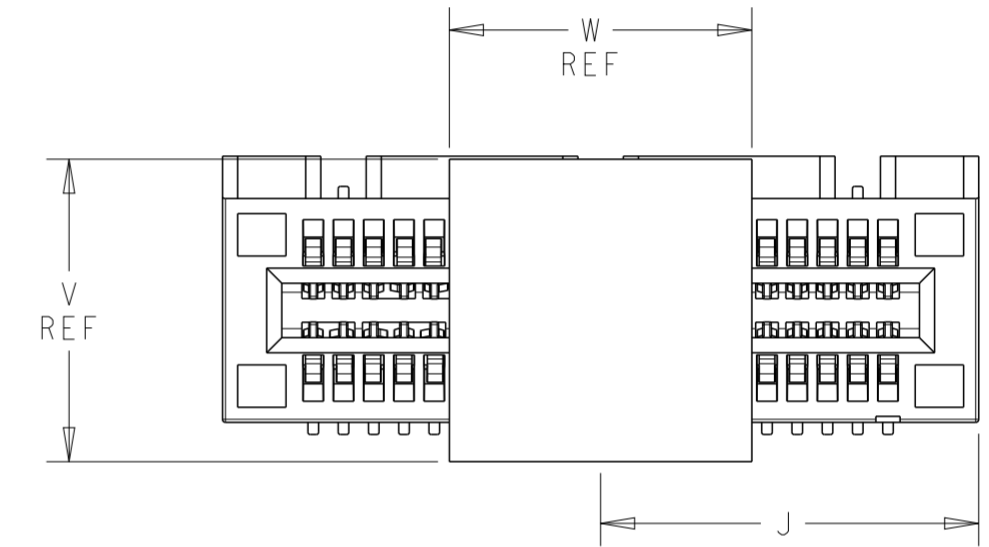


98POS AS SHOWN
SCALE 4:1

FRONT VIEW



164POS AS SHOWN
SCALE 4:1

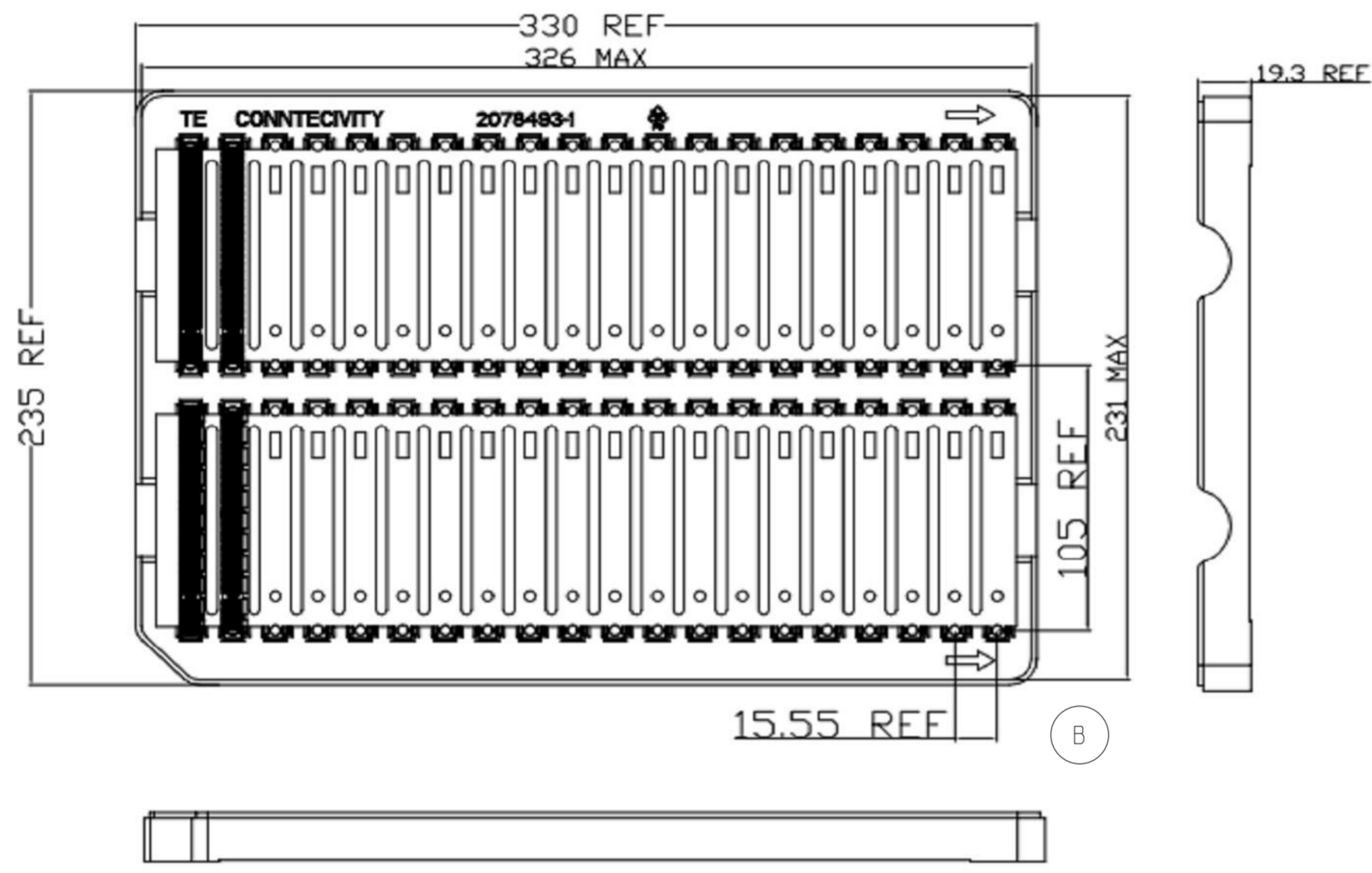


MYLAR SIZE
SCALE 4:1

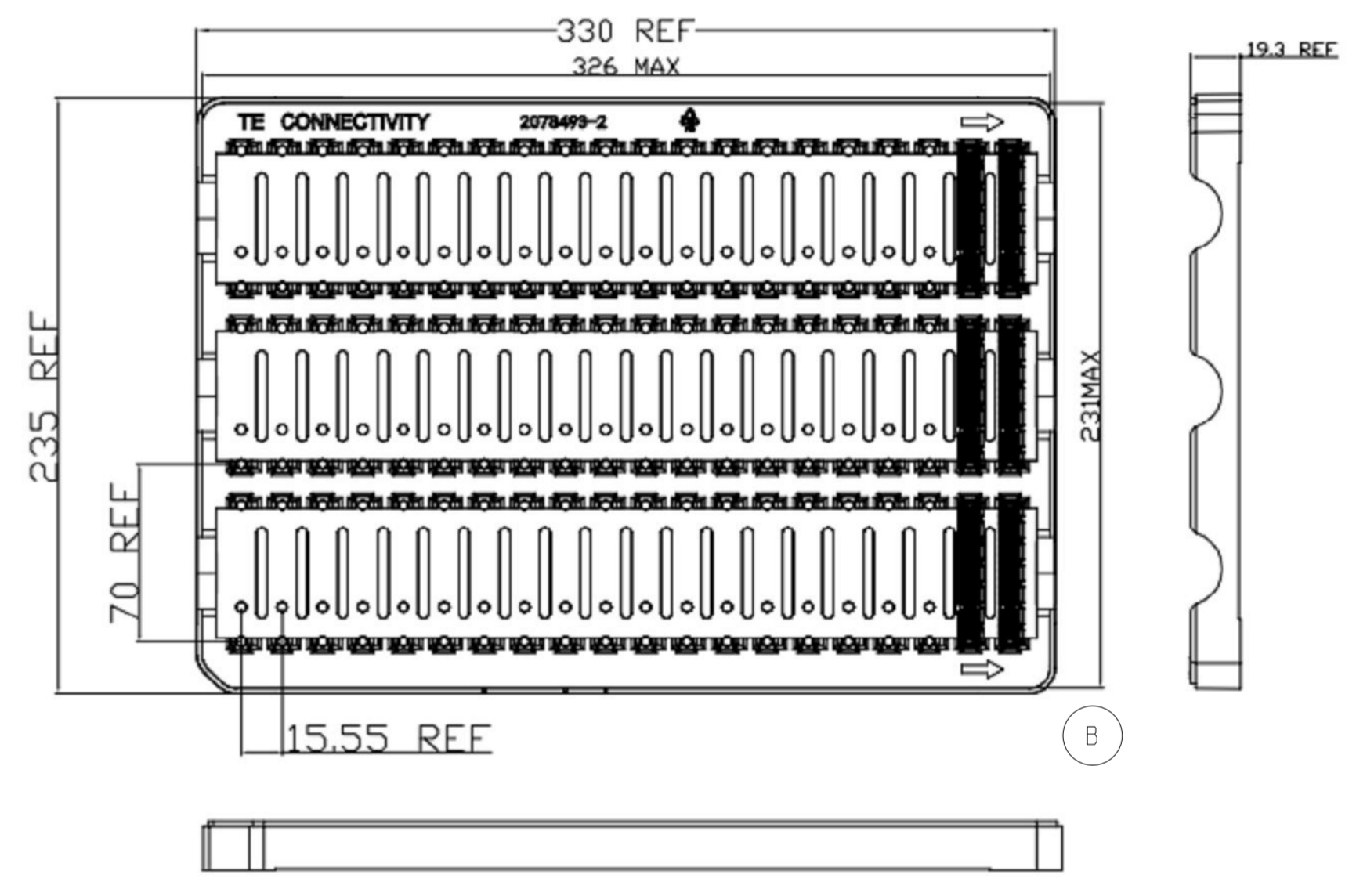
THIS DRAWING IS A CONTROLLED DOCUMENT.		DWN SANDERS, YAN 14DEC2020	TE Connectivity	
		CHK MIKE, CHEN 14DEC2020		
		APVD HOPE, LU 14DEC2020	NAME PCI EXPRESS CARD EDGE CONNECTOR GEN5, 1.5 SOLDER TAB AND CENTER POST	
DIMENSIONS: mm		PRODUCT SPEC 108-160247	SIZE A2	CAGE CODE 00779
TOLERANCES UNLESS OTHERWISE SPECIFIED:		APPLICATION SPEC -	DRAWING NO C-2384214	RESTRICTED TO -
0 PLC ± 1 PLC ±0.3 2 PLC ±0.20 3 PLC ±0.050 4 PLC ± ANGLES ± FINISH -		WEIGHT -	SCALE 6:1	SHEET 4 OF 6
MATERIAL -		CUSTOMER DRAWING	REV B	

THIS DRAWING IS UNPUBLISHED. RELEASED FOR PUBLICATION 20
 © COPYRIGHT 20 BY - ALL RIGHTS RESERVED.

REVISIONS				
P	LTR	DESCRIPTION	DATE	APVD
-		SEE SHEET 1	-	-



HARD TRAY: FOR 164POS
 SCALE 1:2

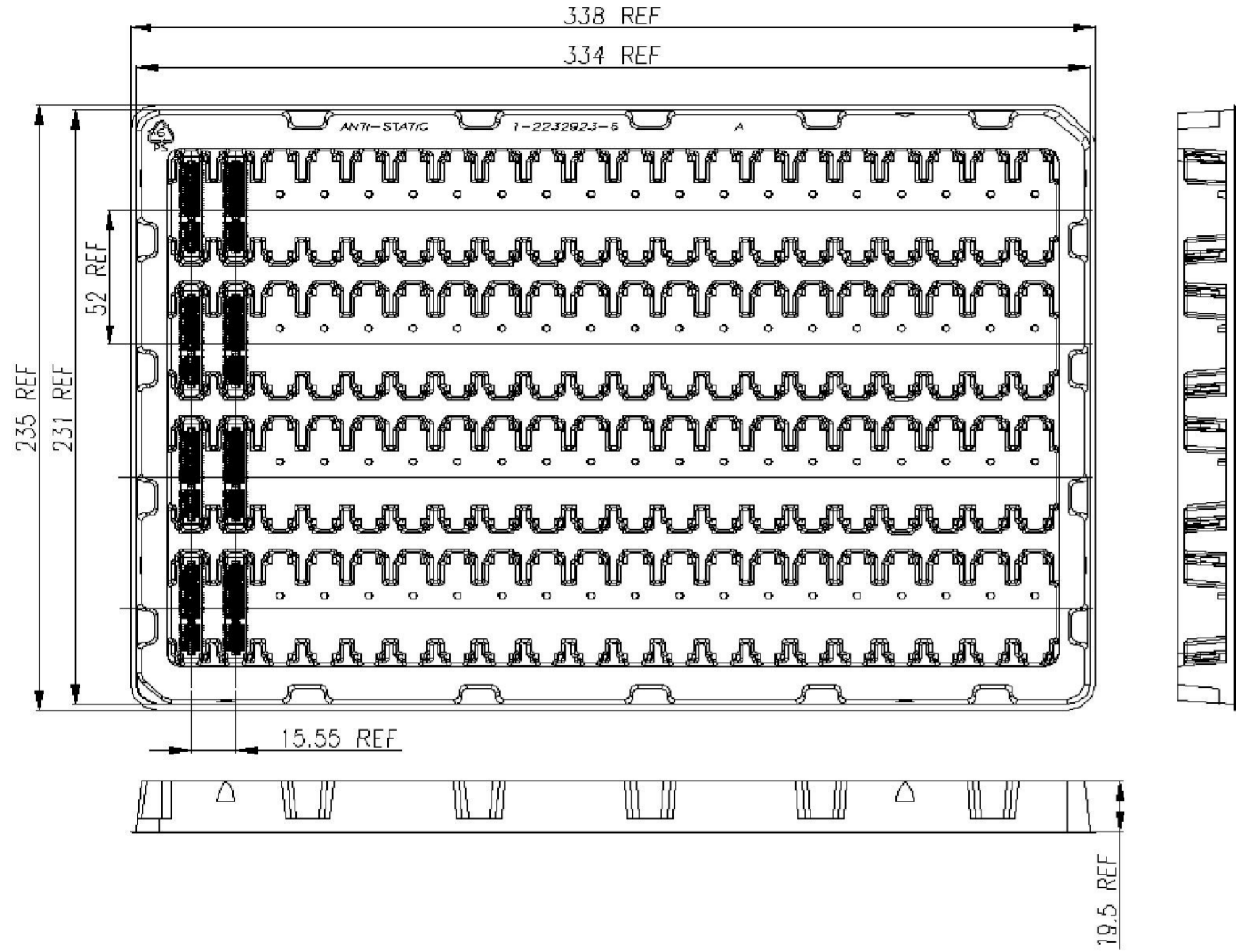


HARD TRAY: FOR 98POS
 SCALE 1:2


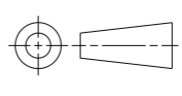
THIS DRAWING IS A CONTROLLED DOCUMENT.		DWN SANDERS, YAN 14DEC2020	STE TE Connectivity	
		CHK MIKE, CHEN 14DEC2020		
DIMENSIONS: mm		APVD HOPE, LU 14DEC2020	NAME PCI EXPRESS CARD EDGE CONNECTOR GEN5, 1.5 SOLDER TAB AND CENTER POST	
TOLERANCES UNLESS OTHERWISE SPECIFIED:		PRODUCT SPEC 108-160247	RESTRICTED TO	
0 PLC ±		APPLICATION SPEC -	SIZE A2	CAGE CODE 00779
1 PLC ±0.3		WEIGHT -	DRAWING NO C-2384214	SCALE 6:1
2 PLC ±0.20		CUSTOMER DRAWING	SHEET 5 OF 6	REV B
3 PLC ±0.050				
4 PLC ±				
ANGLES ±				
FINISH -				

THIS DRAWING IS UNPUBLISHED. RELEASED FOR PUBLICATION 20
 © COPYRIGHT 20 BY - ALL RIGHTS RESERVED.

REVISIONS				
P	LTR	DESCRIPTION	DATE	APVD
-	-	SEE SHEET 1	-	-



SOFT TRAY: FOR 64POS
 SCALE 1:2

THIS DRAWING IS A CONTROLLED DOCUMENT.		DWN SANDERS YAN 14DEC2020	 TE Connectivity	
		CHK MIKE CHEN 14DEC2020		
DIMENSIONS: mm		APVD HOPE LU 14DEC2020	NAME PCI EXPRESS CARD EDGE CONNECTOR GEN5, 1.5 SOLDER TAB AND CENTER POST	
		PRODUCT SPEC 108-160247	RESTRICTED TO	
TOLERANCES UNLESS OTHERWISE SPECIFIED: 0 PLC ± 1 PLC ±0.3 2 PLC ±0.20 3 PLC ±0.050 4 PLC ± ANGLES ± FINISH		APPLICATION SPEC -	SIZE A2	CAGE CODE 00779
MATERIAL -		WEIGHT -	DRAWING NO C-2384214	SCALE 6:1
		CUSTOMER DRAWING	SHEET 6 OF 6	REV B