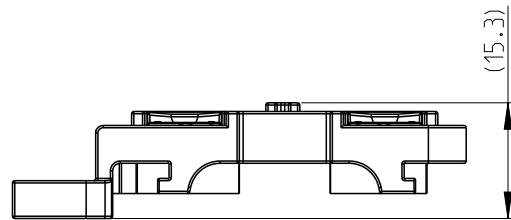
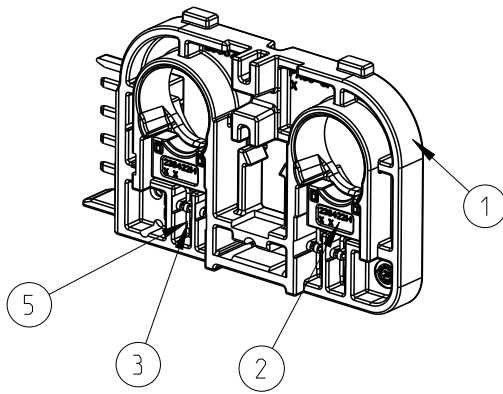
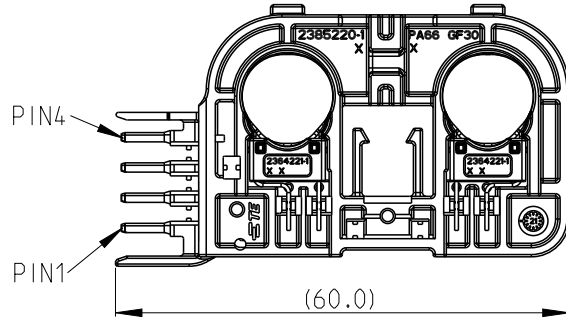
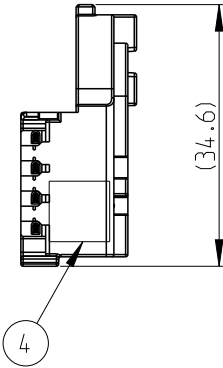


| REVISIONS |     |               |         |     |      |
|-----------|-----|---------------|---------|-----|------|
| P         | LTR | DESCRIPTION   | DATE    | DWN | APVD |
|           | A   | FIRST RELEASE | 12MAY22 | S.Y | E.J  |
|           | A1  | ECN-23-230179 | 06SEP23 | E.H | E.J  |
|           |     |               |         |     |      |



NOTES:  
AFTER ASSEMBLY TESTING PARAMETER SEE TABLE

|     |           | P/N           | 2385216-1        | 2385216-4        |
|-----|-----------|---------------|------------------|------------------|
| No. | TEST ITEM | TEST PIN      | VALUE<br>@22±5°C | VALUE<br>@22±5°C |
| 1   | TDC+      | PIN 1 - PIN 2 | 9.062~14.529KΩ   | 13.901~9.185KΩ   |
| 2   | TDC-      | PIN 2 - PIN 4 | 9.062~14.529KΩ   | 13.901~9.185KΩ   |

|           |           |                     |      |
|-----------|-----------|---------------------|------|
| 2         | 0         | TEMPERATURE SENSOR2 | 5    |
| 1         | 1         | LABLE               | 4    |
| 0         | 2         | TEMPERATURE SENSOR1 | 3    |
| 2         | 2         | THERMAL PAD         | 2    |
| 1         | 1         | 4POS DC LEAD FRAME  | 1    |
| 2385216-4 | 2385216-1 | DESCRIPTION         | ITEM |

© 2021 TE Connectivity. All Rights Reserved.

|  |                  |           |                  |                    |            |               |
|--|------------------|-----------|------------------|--------------------|------------|---------------|
| DIMENSIONS:<br>mm                      | DWN<br>S.YUE     | 29NOV2021 | MATERIAL         | SEE TABLE          | FINISH     | -             |
|  | CHK<br>J.ZHU     | 29NOV2021 |                  |                    |            |               |
| TOLERANCES UNLESS OTHERWISE SPECIFIED: | APVD<br>E.JIANG  | 29NOV2021 |                  |                    |            |               |
| 0 PLC ±                                | PRODUCT SPEC     |           | NAME             | CCS2 DC LEAD FRAME |            |               |
| 1 PLC ±                                | -                |           |                  | -                  |            |               |
| 2 PLC ±                                | APPLICATION SPEC |           | SIZE             | CAGE CODE          | DRAWING NO | RESTRICTED TO |
| 3 PLC ±                                | -                |           | A 4              | 00779              | ©-2385216  | -             |
| 4 PLC ±                                | WEIGHT           |           | -                |                    |            |               |
| ANGLES ±                               | -                |           | CUSTOMER DRAWING |                    | SCALE      | 1:1           |
|  |                  |           |                  | SHEET              | 1 OF 1     | REV           |
|  |                  |           |                  | A1                 |            |               |