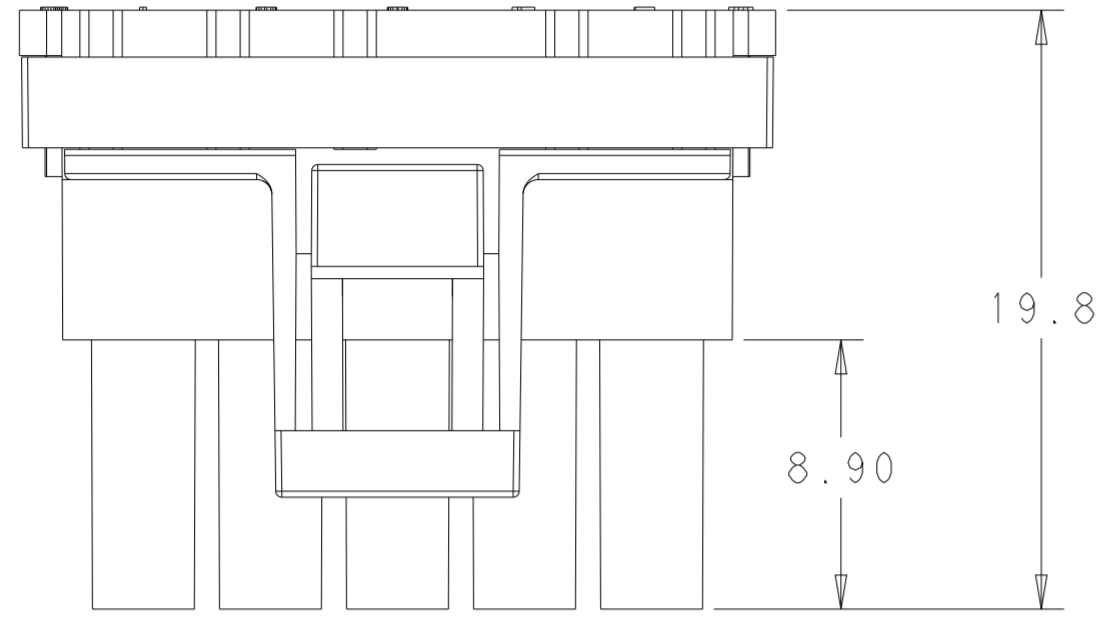
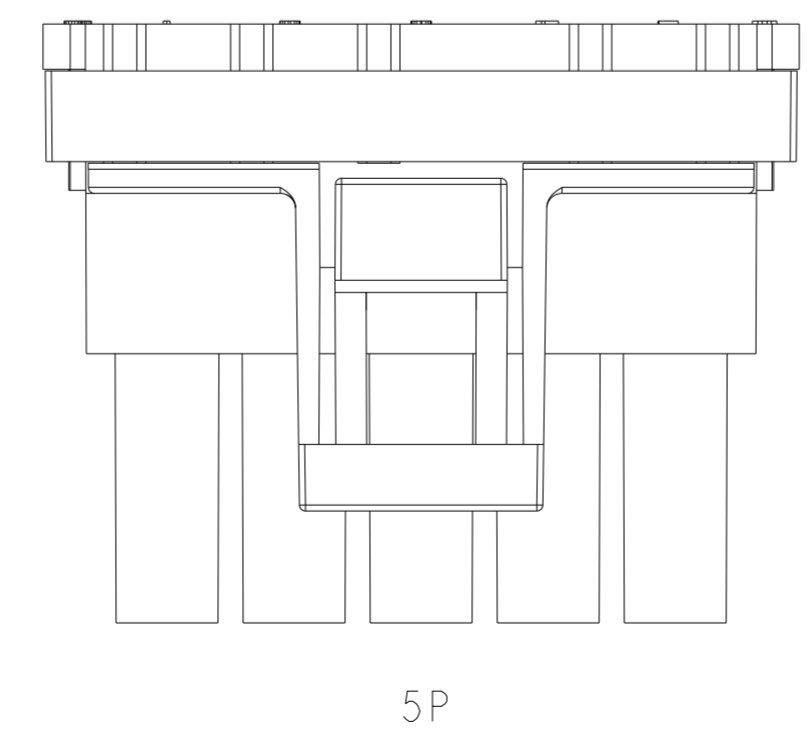
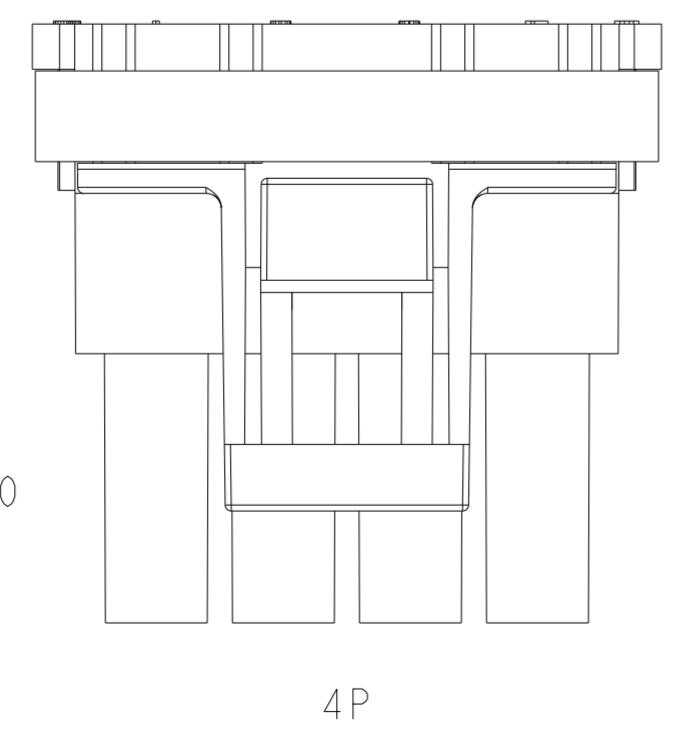
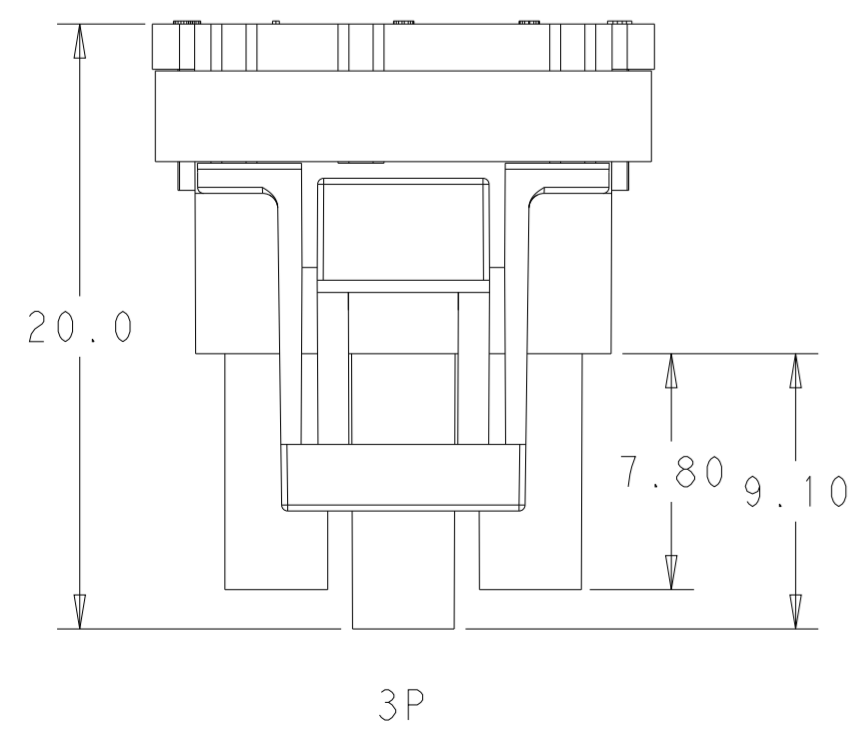
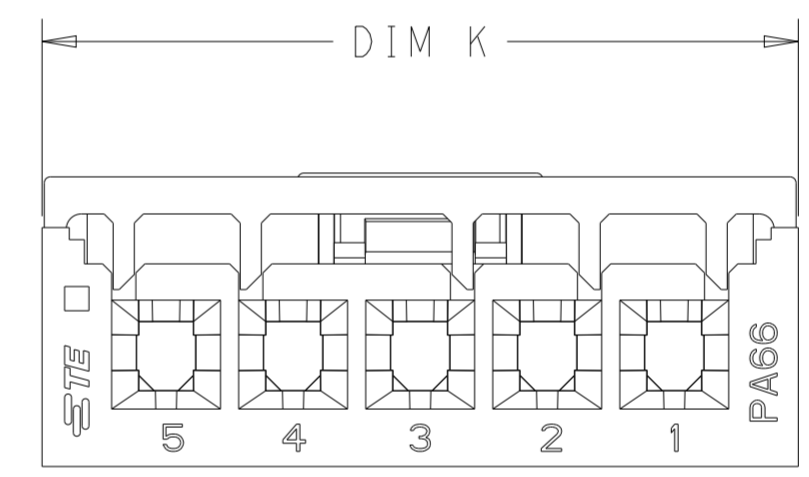
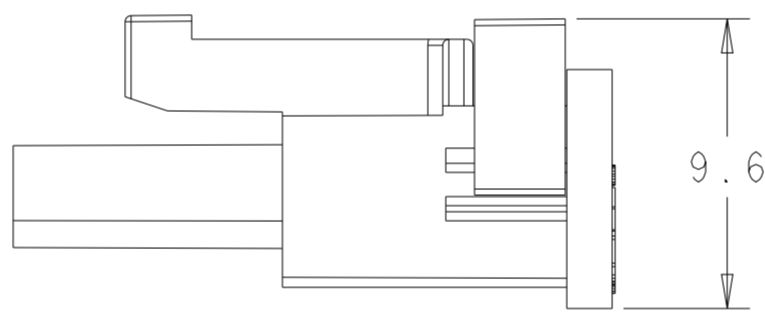
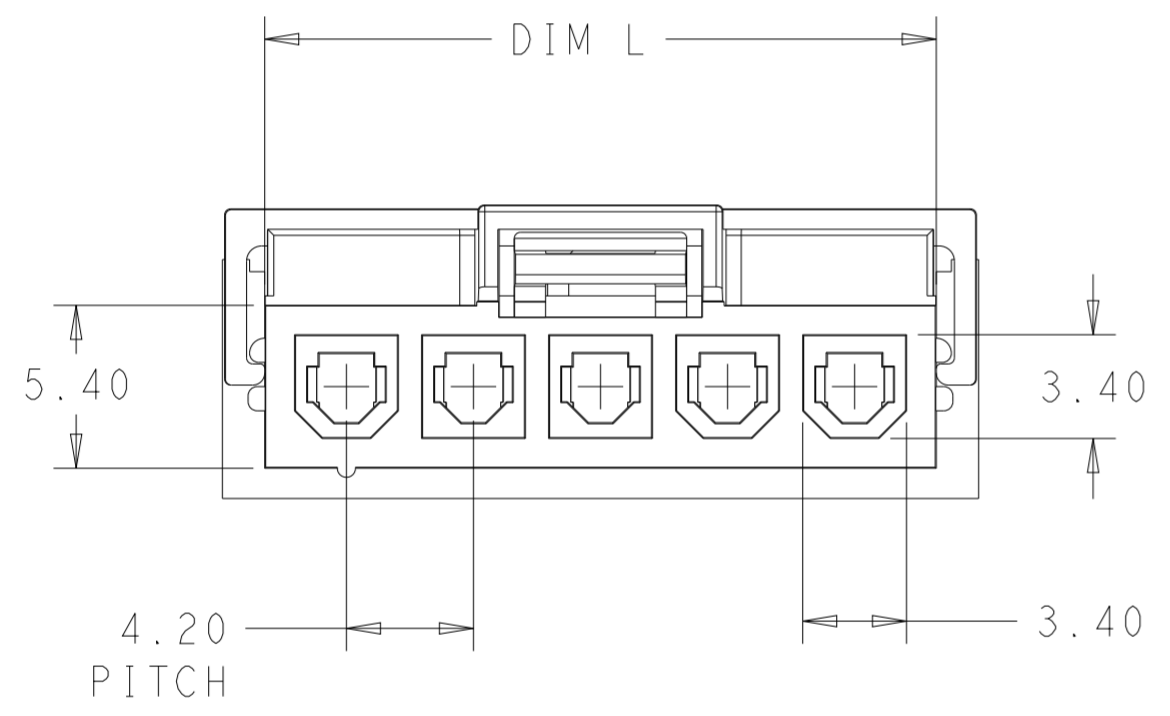


THIS DRAWING IS UNPUBLISHED. RELEASED FOR PUBLICATION 20
 © COPYRIGHT 20 BY - ALL RIGHTS RESERVED.

LOC		DIST		REVISIONS			
P	LTR	DESCRIPTION	DATE	DWN	APVD		
AF	-	A	16JAN2023	WH	LC	REVISED PER ECN-23-194134	
		B	02JAN2024	WH	LC	REVISED PER ECR-23-189370	



- 1 MATERIAL: PA66, UL94V-0, COLOR: NATURAL
- 2 DIMENSIONS SHOWN REPRESENT PRODUCT IN DRY, AS MOLDED.
- 3 THIS HOUSING ACCEPTS TERMINAL: 2238017-1/2238019-1.
MATING RECEPTACLE: 2386014-*
- 4 PACKAGING: LOOSE PIECE
- 5 PER IEC 60335-1 SECT. 30, GWEPT 750°C, NO FLAME or Te-Ti≤2S



25.0	22.20	5	2386011-5
20.8	18.00	4	2386011-4
16.6	13.80	3	2386011-3
DIM K	DIM L	NO. OF POS	PART NO.

THIS DRAWING IS A CONTROLLED DOCUMENT.

DWN	W. HUO	12OCT2022	TE Connectivity RECEPTACLE HOUSING, GWT INTEGRATED TPA SINGLE ROW, VAL-U-LOK
CHK	L. CHEN	13OCT2022	
APVD	D. ZHANG	14OCT2022	
PRODUCT SPEC	108-160744		
APPLICATION SPEC	114-160449		SIZE
MATERIAL	DIMENSIONS: mm TOLERANCES UNLESS OTHERWISE SPECIFIED: 0 PLC ± 1 PLC ±0.35 2 PLC ±0.25 3 PLC ± 4 PLC ± ANGLES ±3° FINISH		CAGE CODE
	MATERIAL 		DRAWING NO
			RESTRICTED TO
	CUSTOMER DRAWING		SCALE N/A
			SHEET 1 OF 1
			REV B