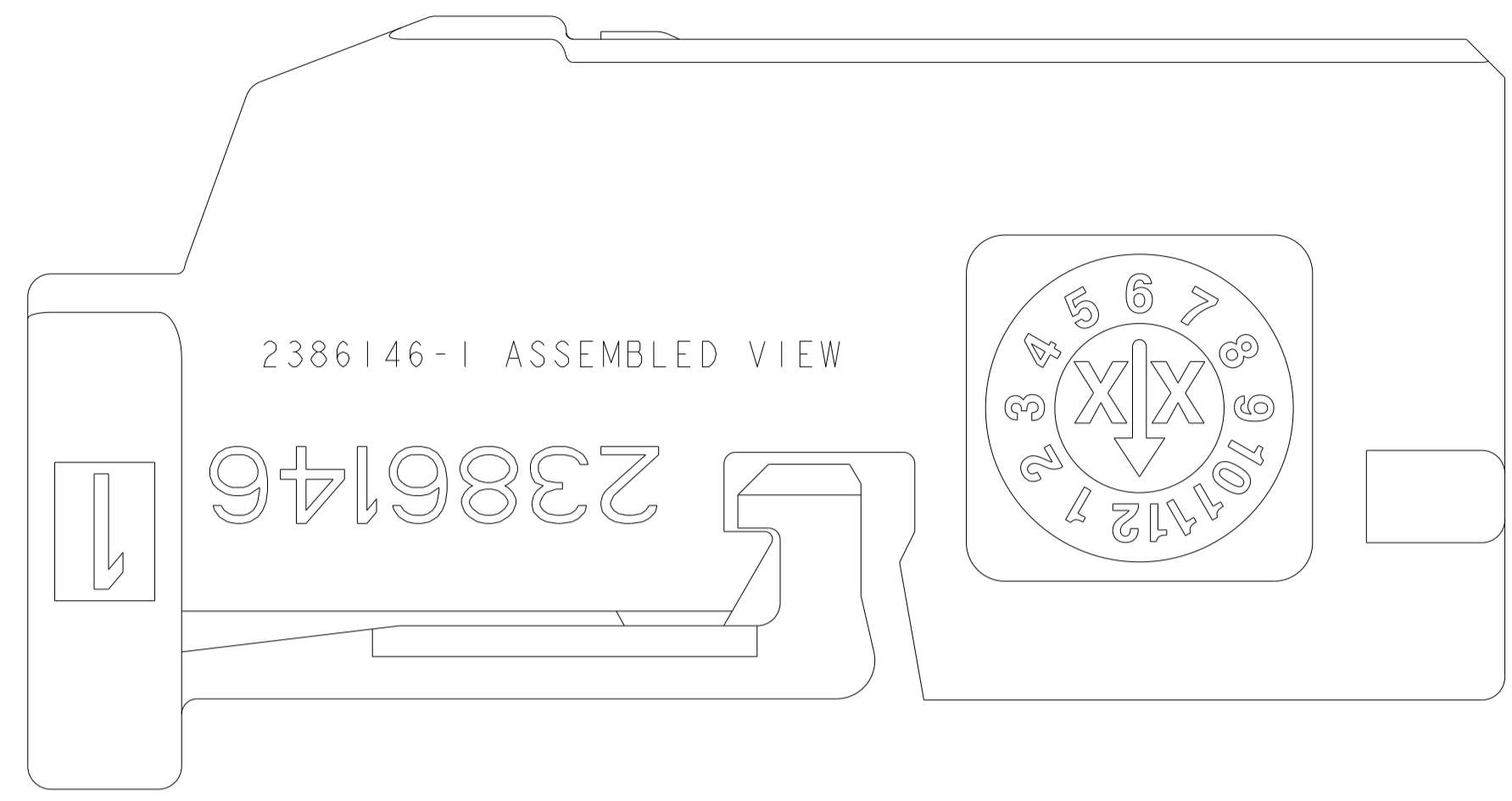
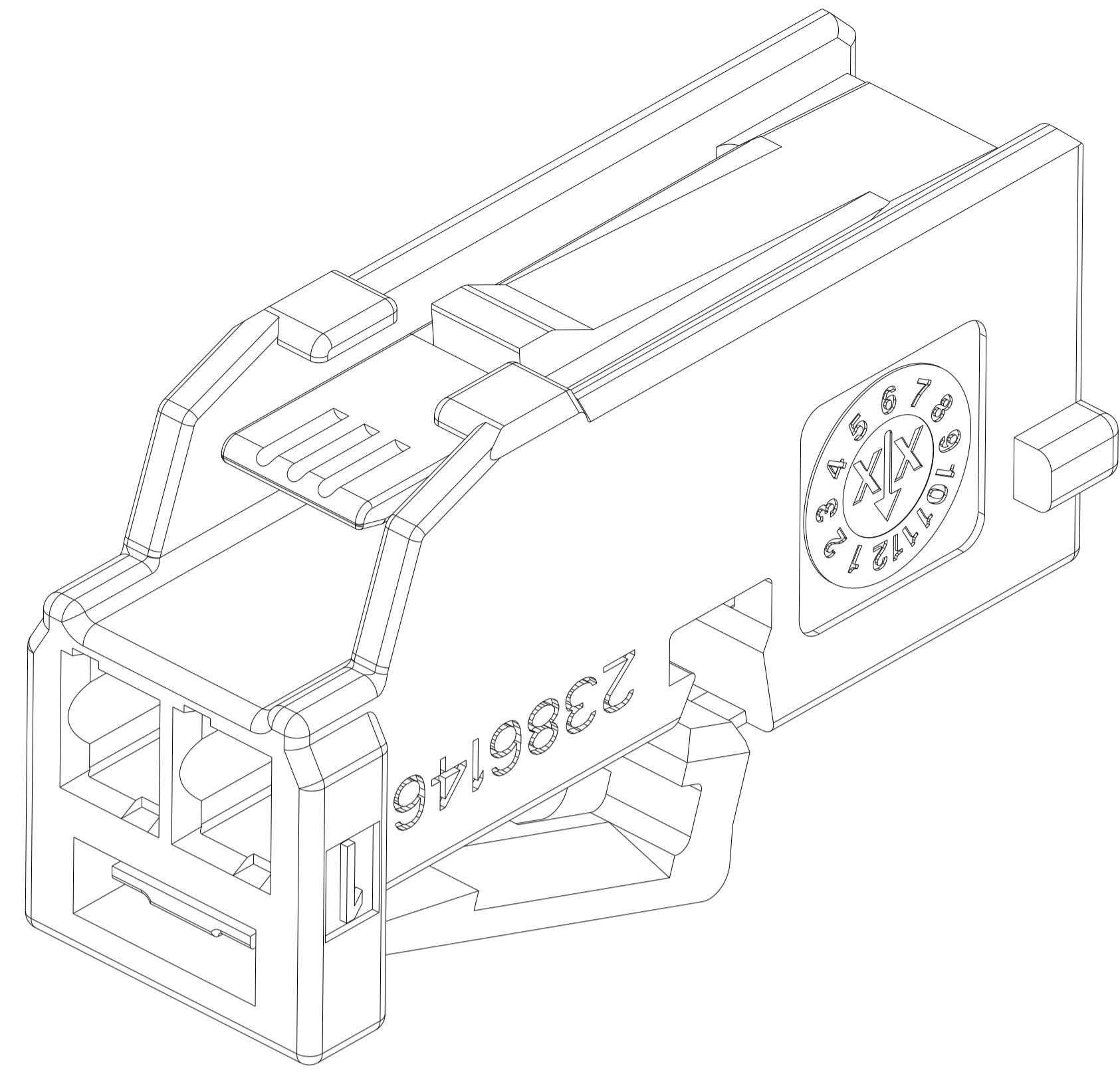
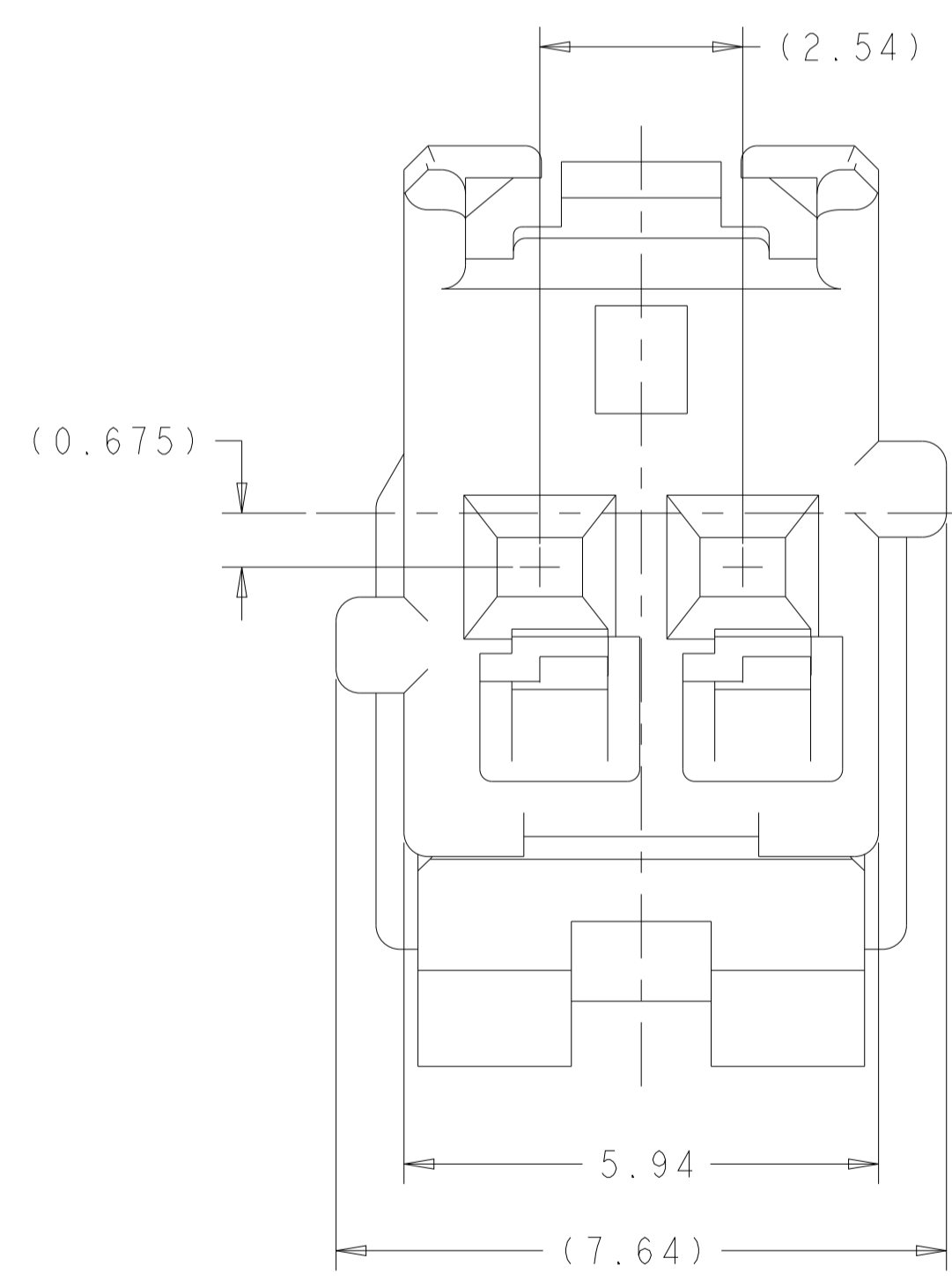
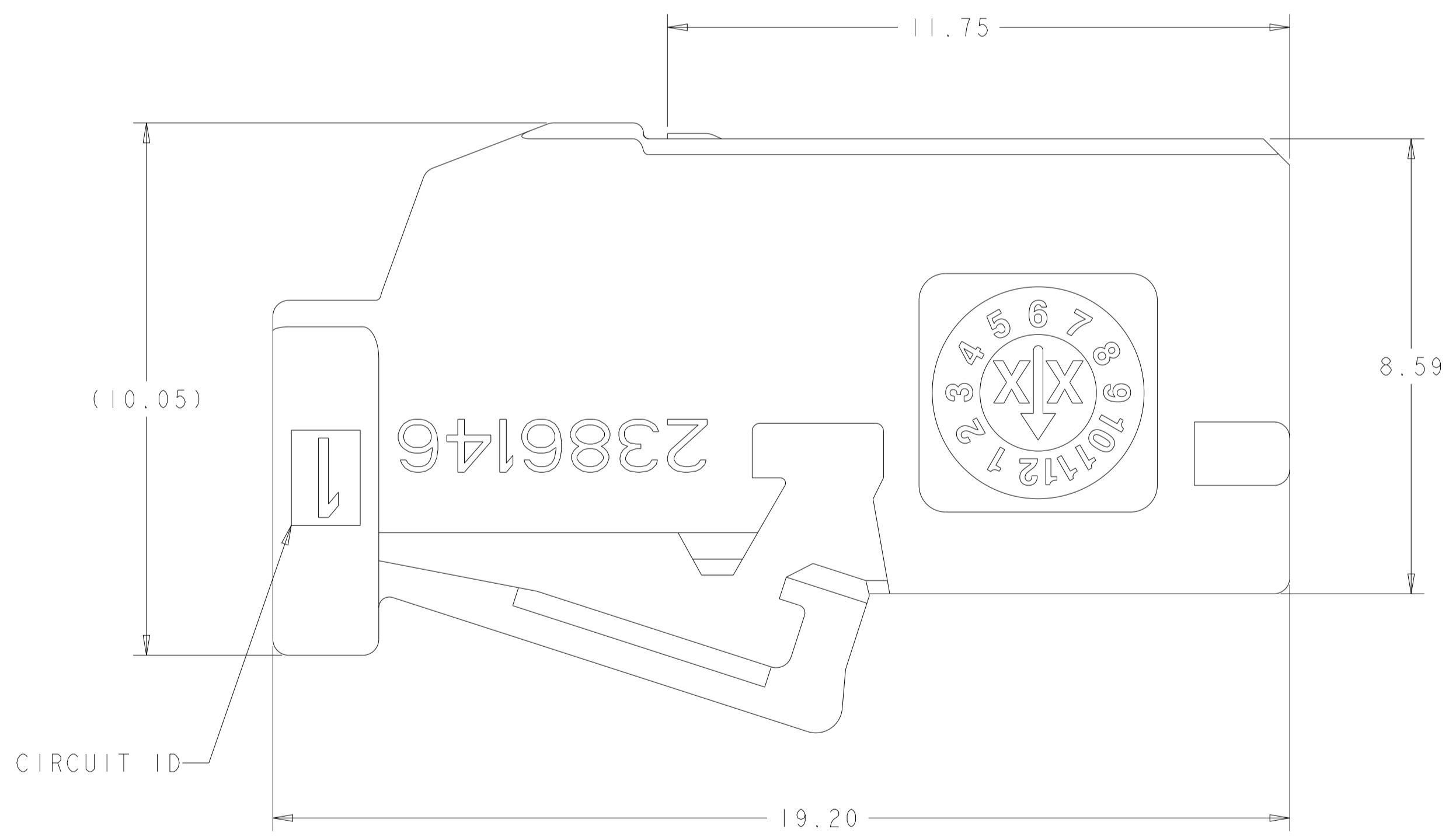
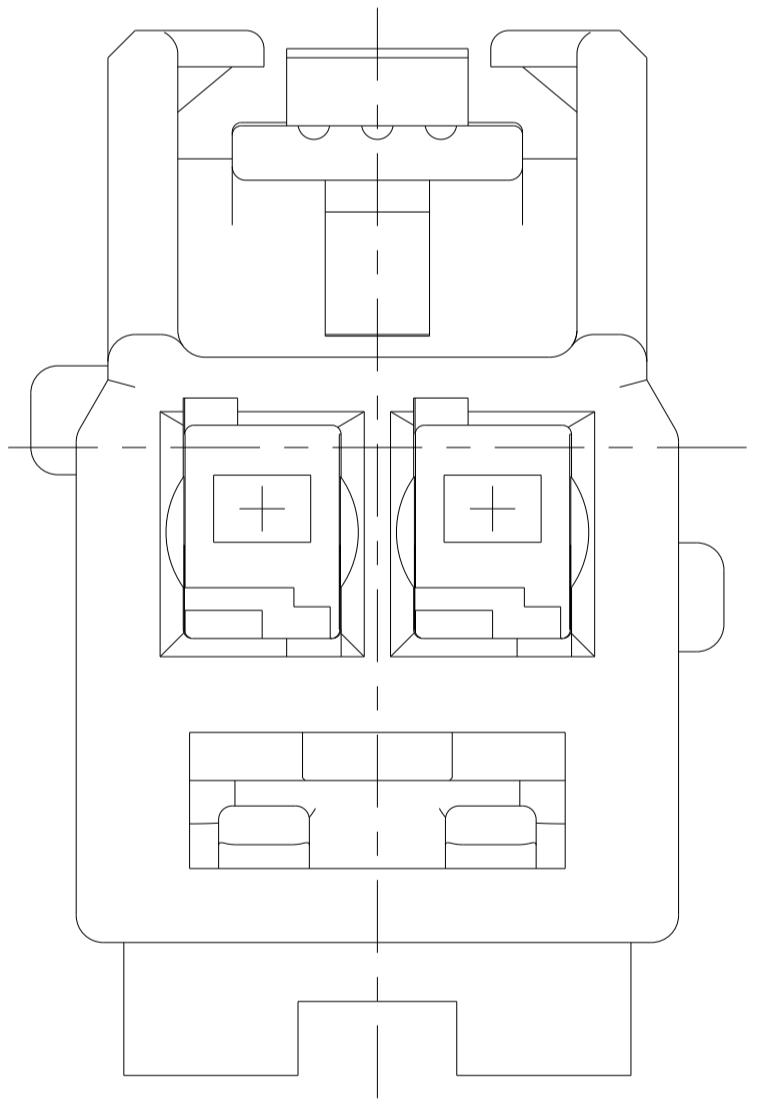


LOC		DIST		REVISIONS			
GE		00		REV	DATE	BY	APPV
A				INITIAL RELEASE	11FEB2021	SH	CSJ
A1				ECR-21-109843	12AUG2021	SH	PT
A2				REV PER ECN-22-140394	10MAR2022	SMR	CS



- ⚠ MATERIAL: PBT, 15% GF.
 COLOR : SEE TABLE
- PLUG MATES WITH CAP HOUSING 2138558
 - PLUG WILL ACCEPT GENERATION Y RECEPTACLE CONTACTS, DOWNWARD ORIENTATION, ISL-LOCKUP.
 - FOR MATING INTERFACE DETAILS, SEE 2138557-GEN.
 - FOR HARNESS ASSEMBLY INSTRUCTIONS, SEE TE SPEC 408-32069.



2386146-1 AS SHOWN

BLACK	G	2386146-7
NATURAL	F	2386146-6
LIGHT BROWN	E	2386146-5
LIGHT BLUE	D	2386146-4
GREEN	C	2386146-3
GRAY	B	2386146-2
BLACK	A	2386146-1
COLOR	KEYING OPTION	PART NUMBER

THIS DRAWING IS A CONTROLLED DOCUMENT. DWN: SHREESHALL SH 09FEB2021
 CHK: CHRISTOPHER SJ 10FEB2021

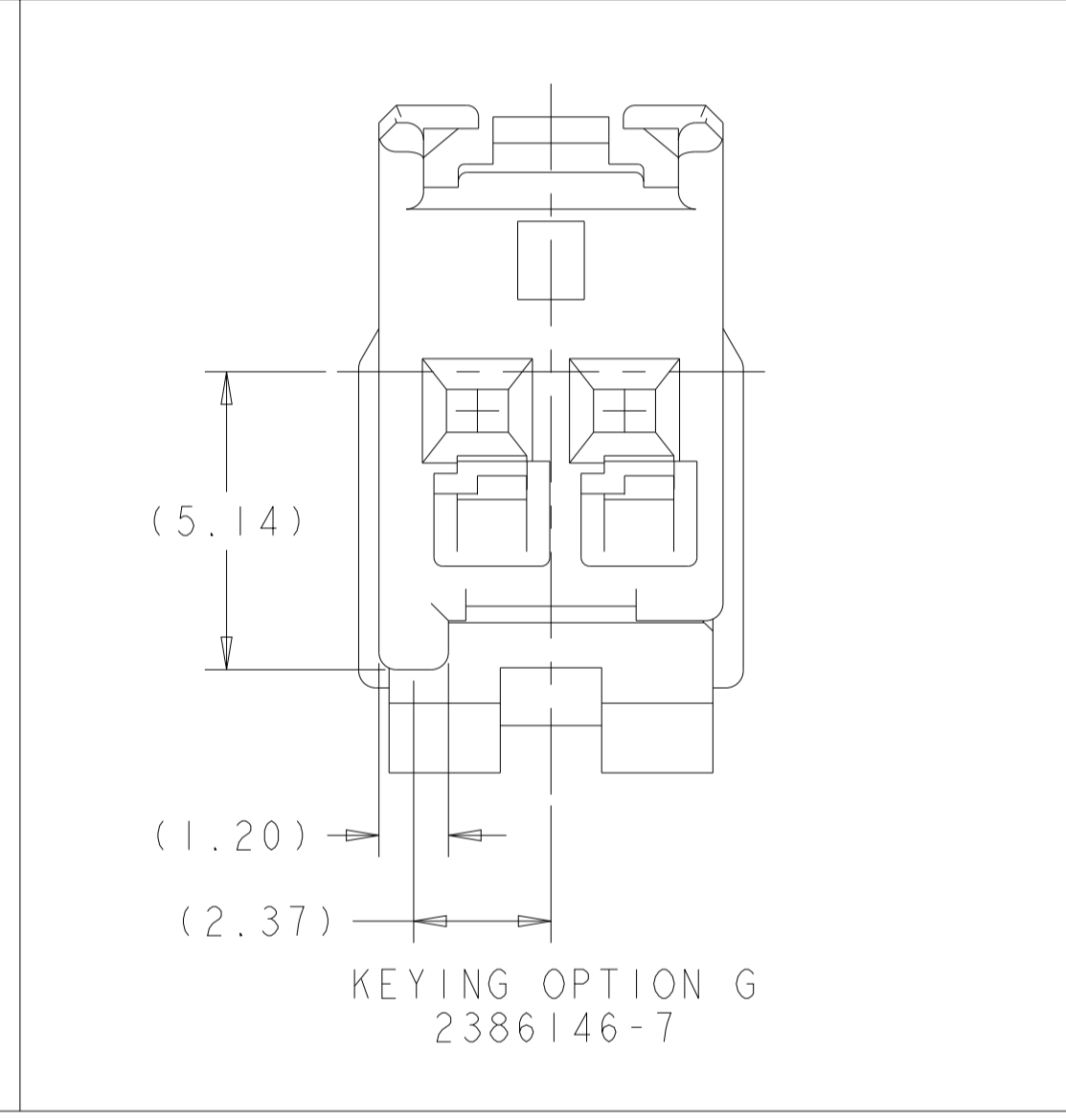
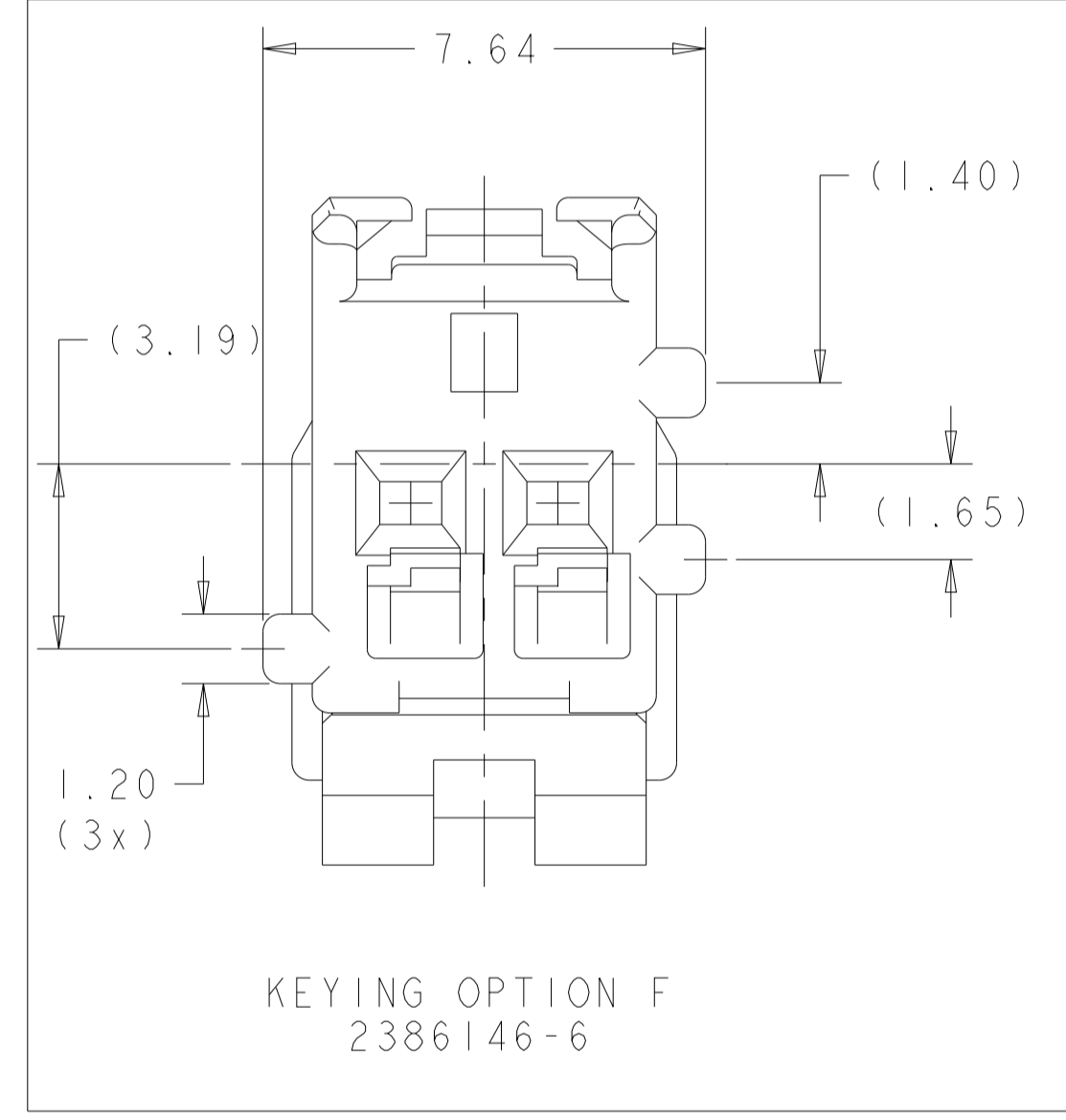
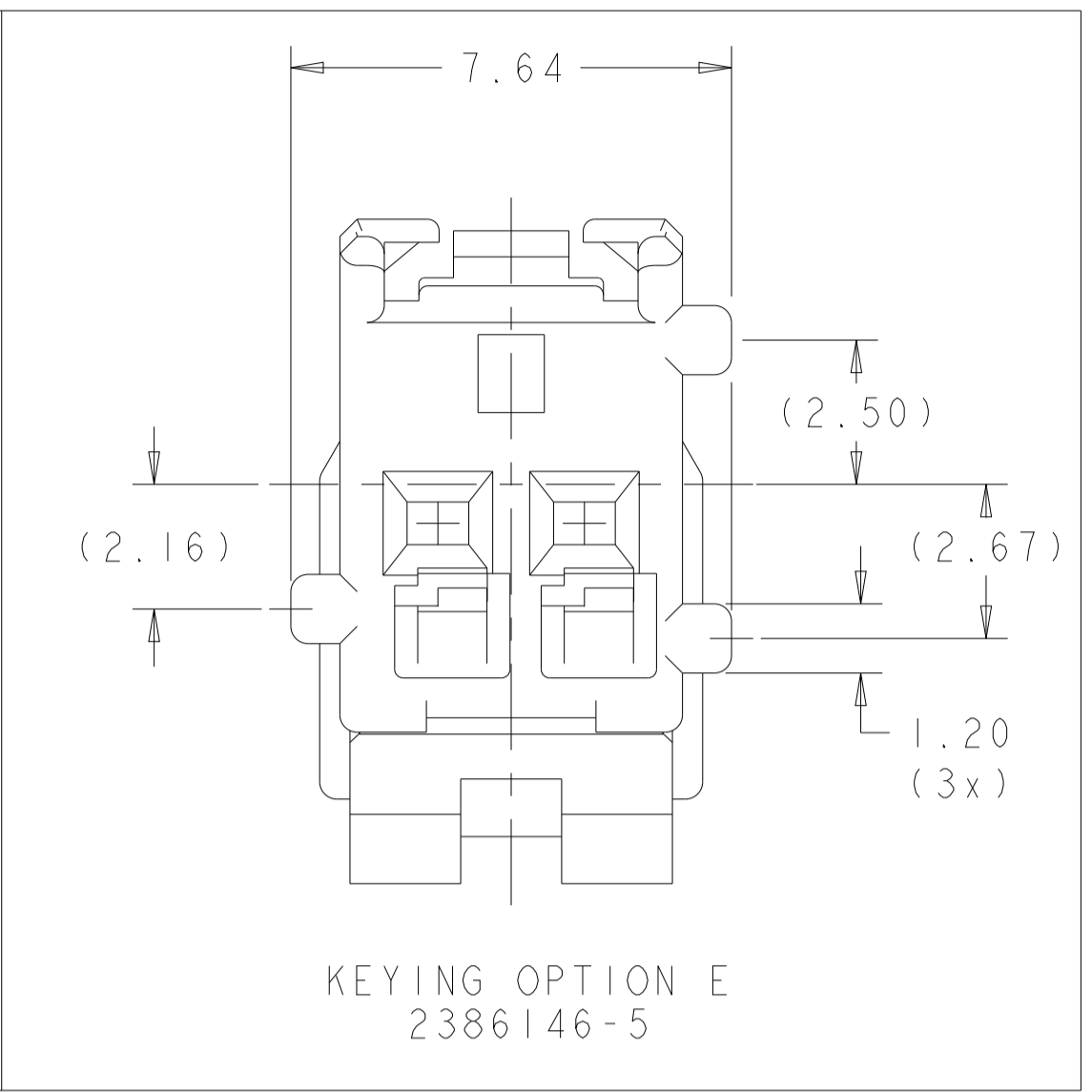
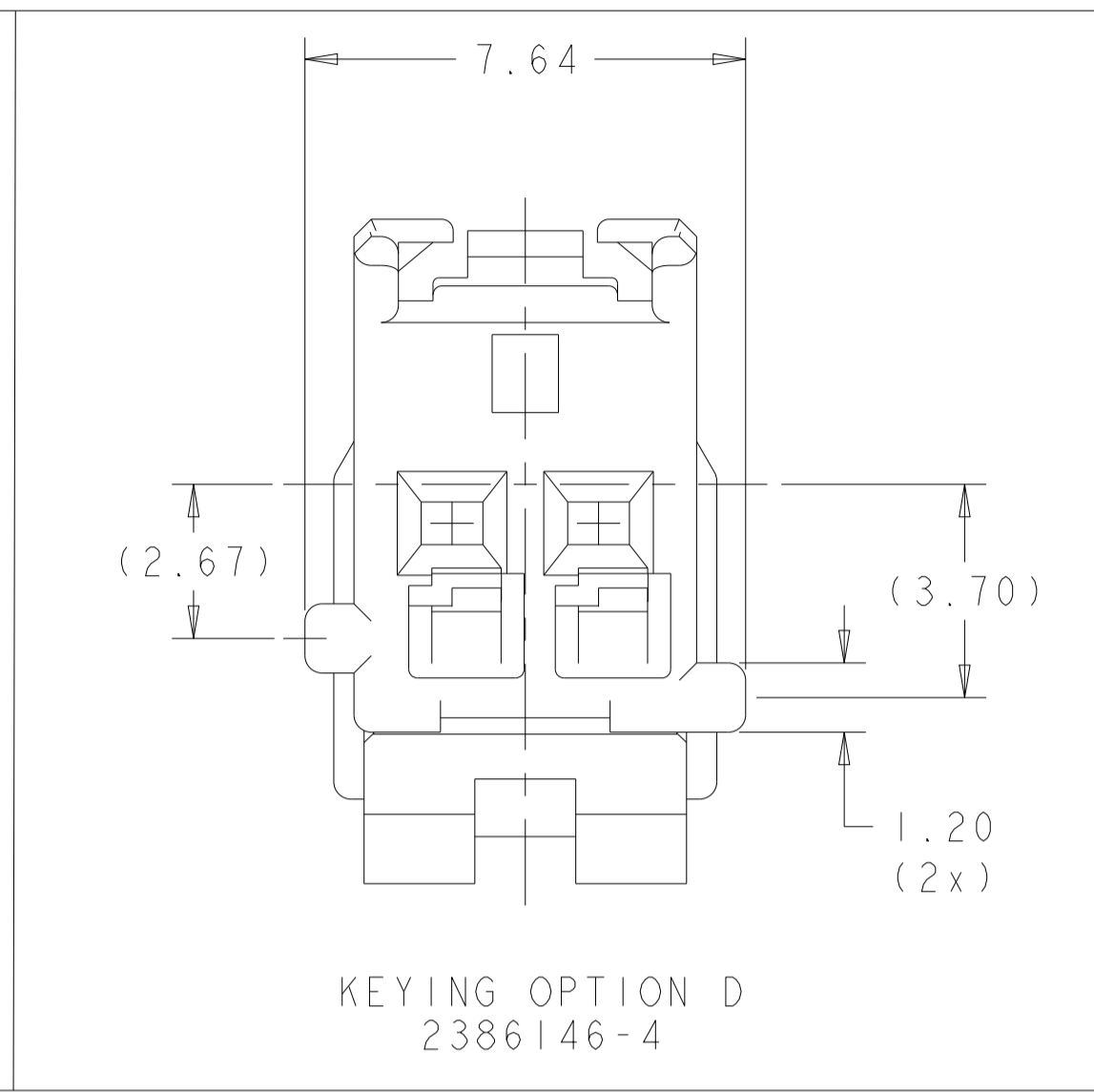
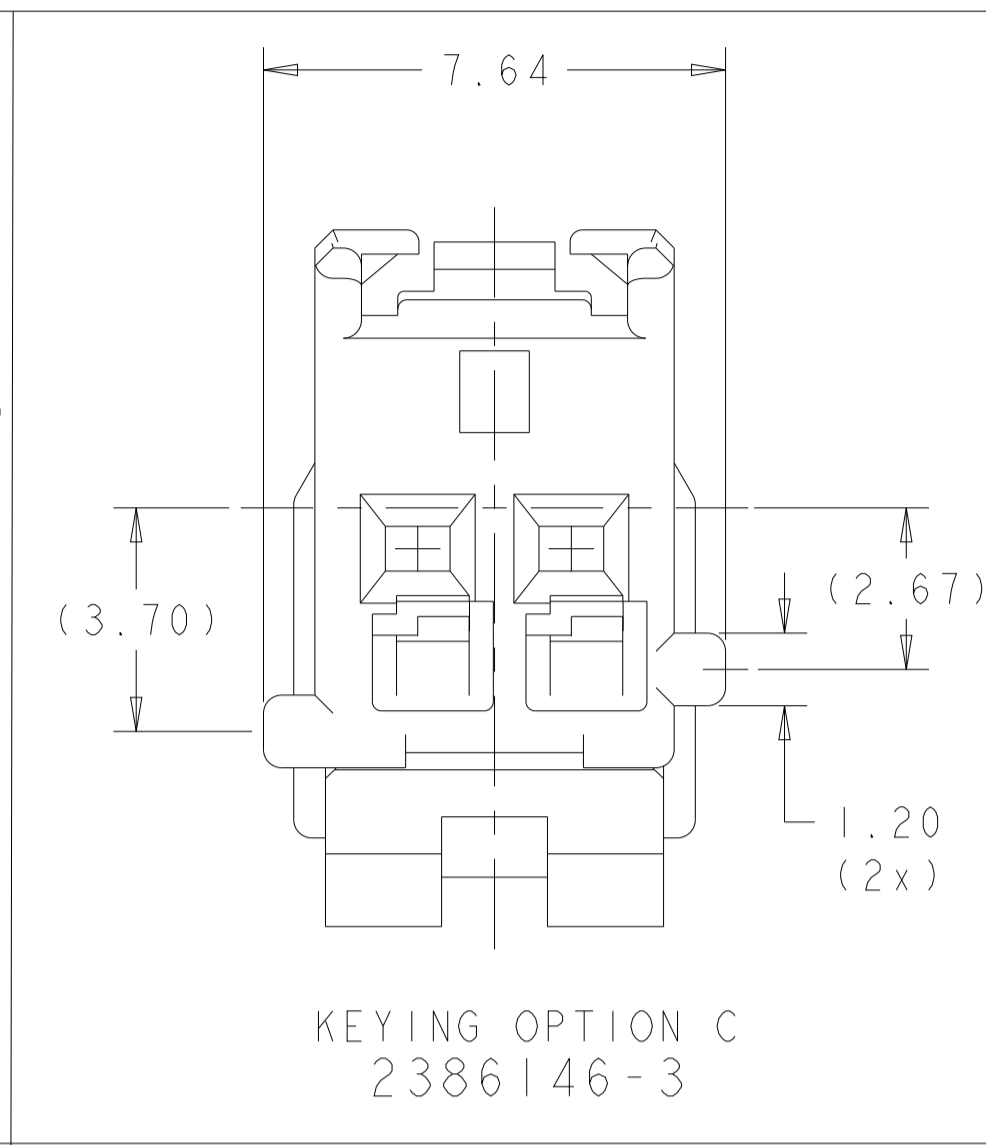
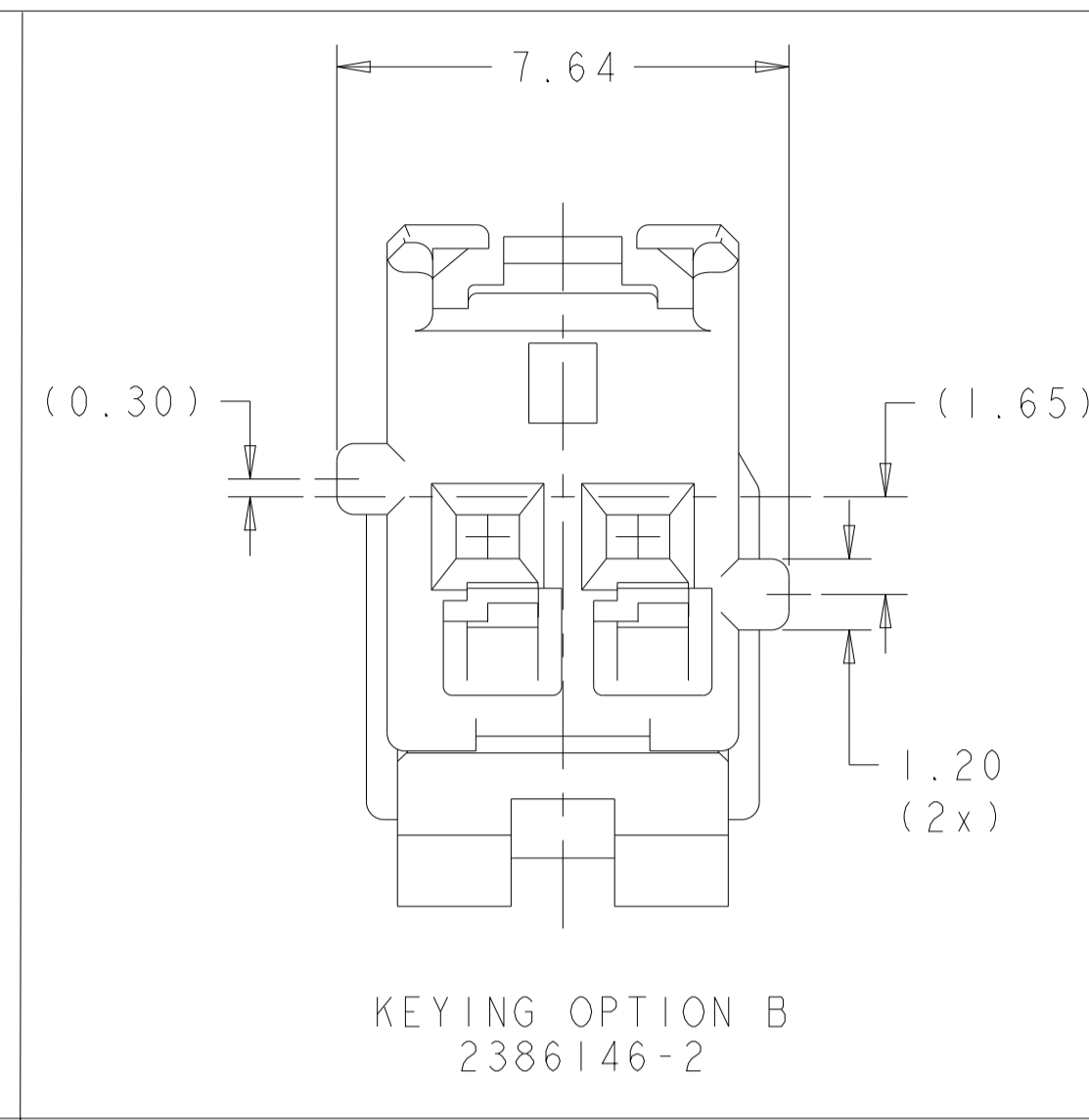
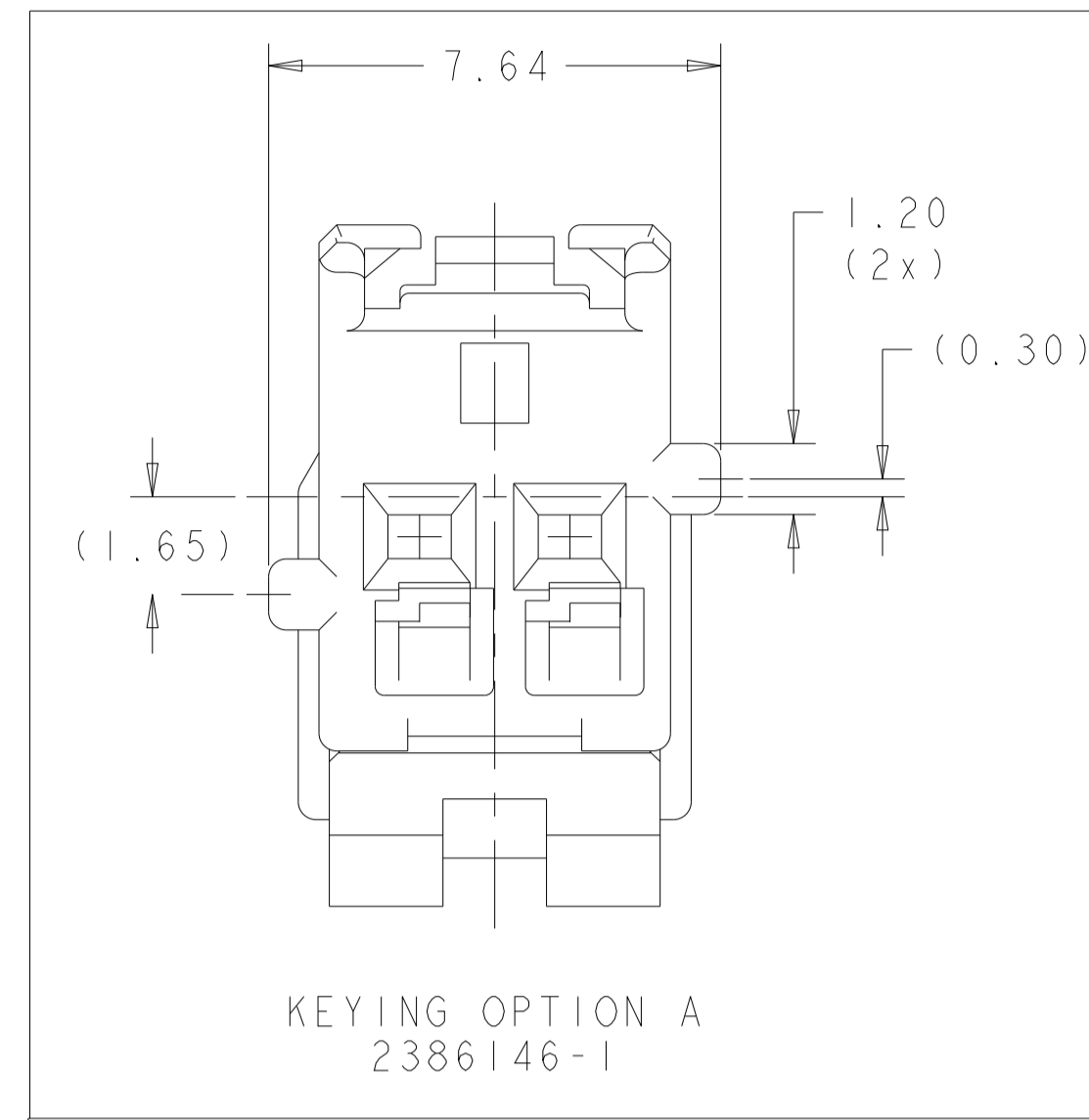
STE TE Connectivity

SINGLE PIECE PLUG, GENERATION Y

DIMENSIONS:	TOLERANCES UNLESS OTHERWISE SPECIFIED:	APVD	NAME
mm	0 PLC ±0.3 1 PLC ±0.3 2 PLC ±0.10 3 PLC ±0.10 4 PLC ±0.10 ANGLES ±0.1° FINISH	APVD	NAME
MATERIAL:		WEIGHT	RESTRICTED TO
		Customer Drawing	Customer Drawing

SIZE: A1 CAGE CODE: 00779 DRAWING NO: 2386146
 SCALE: 5:1 SHEET 1 OF 2 REV: A2

LOC		DIST		REVISIONS			
P	LTN	DESCRIPTION	DATE	DMN	APVD		
-	-	SEE SHEET 1					



THIS DRAWING IS A CONTROLLED DOCUMENT.		DMN: SHREESHALL SH 09FEB2021		
		CHK: CHRISTOPHER SJ 10FEB2021		
DIMENSIONS:		TOLERANCES UNLESS OTHERWISE SPECIFIED:		NAME
mm	0 PLC ±0.3	APVD		PRODUCT SPEC
	1 PLC ±0.3	APVD		APPLICATION SPEC
	2 PLC ±0.10	APVD		RESTRICTED TO
	3 PLC ±	APVD		SIZE CAGE CODE DRAWING NO
	4 PLC ±	APVD		WEIGHT
	ANGLES ±	APVD		SCALE 5:1 SHEET 2 OF 2 REV A2
	FINISH ±	APVD		
MATERIAL		Customer Drawing		