

4

3

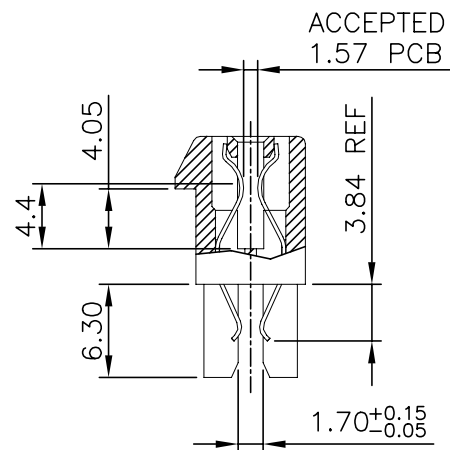
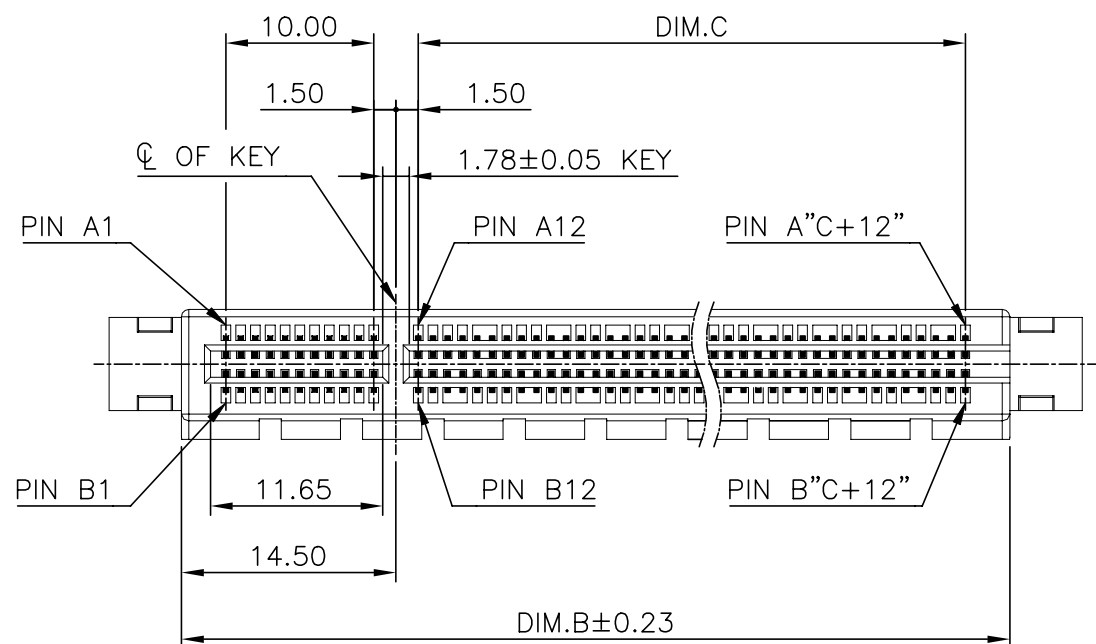
2

1

© - TE Connectivity. All Rights Reserved.

REVISIONS

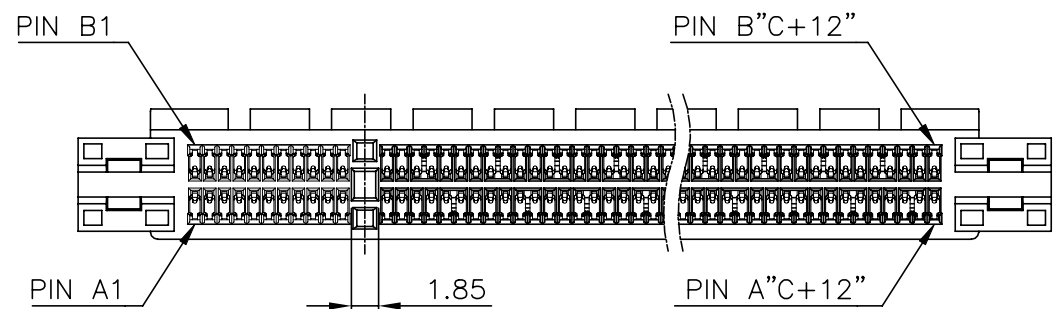
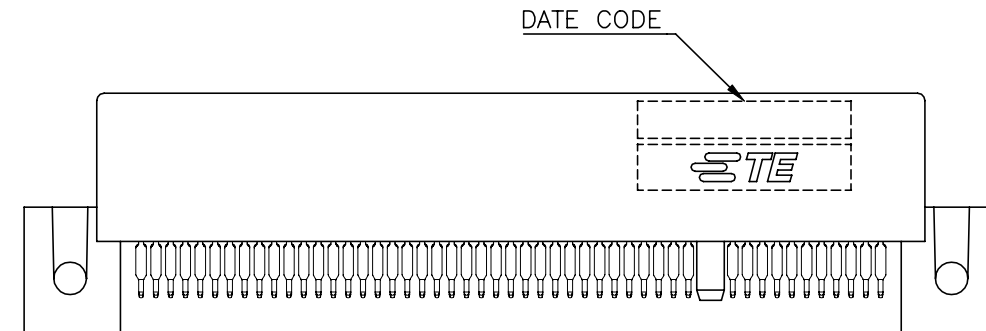
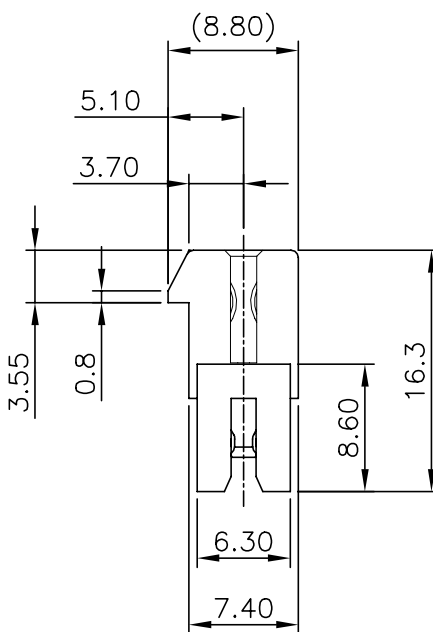
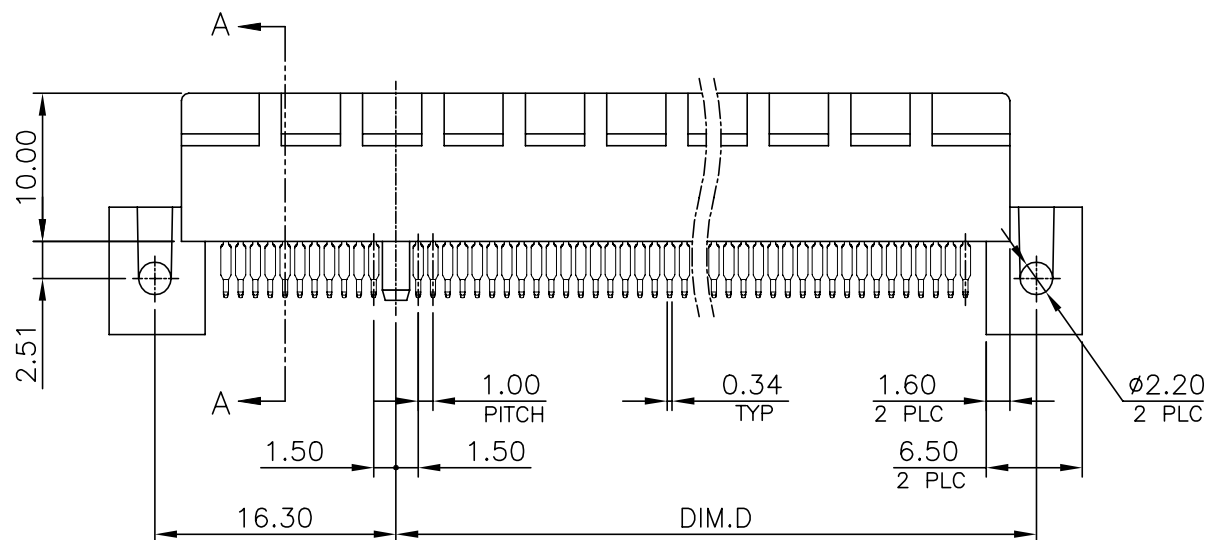
P	LTR	DESCRIPTION	DATE	DWN	APVD
	A	INITIAL DRAWING	24MAY2021	TL	HL



SECTION A-A

NOTES:

- MATERIAL:
  - HOUSING: PA9T WITH 45% G.F, HALOGEN FREE, UL94V-0, COLOR: BLACK
  - CAP: LCP WITH 30%, UL94 V-0, COLOR: BLACK
  - CONTACT: PHOSPHOR BRONZE
- FINISH:
  - CONTACT:
    - GOLD PLATING (SEE TABLE) ON CONTACT AREA.
    - 2.54um [100u"] MIN. MATTE-TIN PLATING ON SOLDER TAIL AREA.
    - 1.27um [50u"] MIN. NICKEL UNDERPLATING OVERALL.
- CONNECTOR HAS MET THE REQUIREMENTS PER PCI EXPRESS GEN 4 TECHNICAL DOCUMENT.
- REFLOW SOLDER CAPABLE TO 260°C PER TEST SPEC. TEC-109-201, CONDITION B.



THIS DRAWING IS A CONTROLLED DOCUMENT.		DWN	TONY LI	26FEB2021	<b>STE</b> TE Connectivity Ltd.	
		CHK	ALEX SHOAL	26FEB2021		
DIMENSIONS: mm		TOLERANCES UNLESS OTHERWISE SPECIFIED:		NAME		PCI EXPRESS GEN4 CARD EDGE CONNECTOR STRADDLE MOUNT OPEN END
		0 PLC ± - 1 PLC ± 0.3 2 PLC ± 0.20 3 PLC ± 0.15 4 PLC ± - ANGLES ± 3°		HOPE LU PRODUCT SPEC		
MATERIAL SEE NOTE		FINISH SEE NOTE		APPLICATION SPEC		RESTRICTED TO
		WEIGHT		0	SIZE	A3
		CUSTOMER DRAWING		CAGE CODE	00779	DRAWING NO
				C=2387405		SCALE
				1:1		SHEET
				1 OF 4		REV
						A

4

3

2

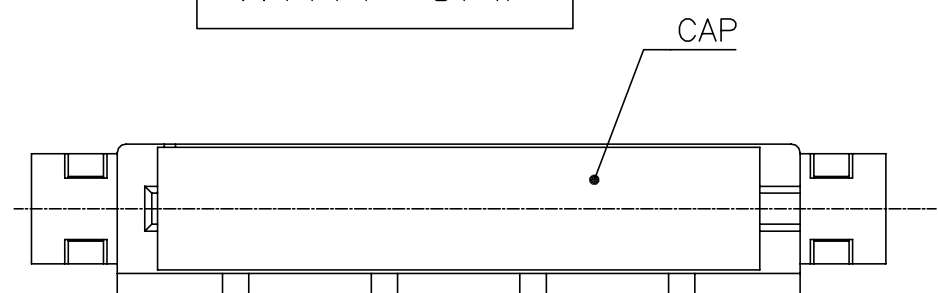
1

© - TE Connectivity. All Rights Reserved.

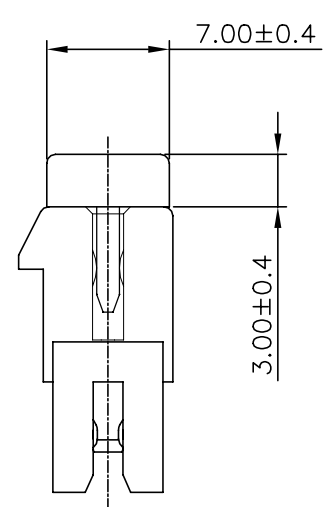
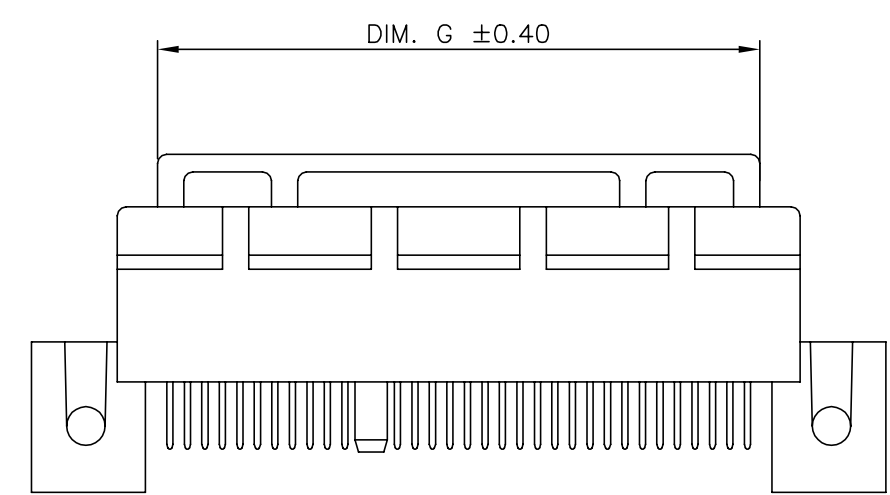
REVISIONS

P	LTR	DESCRIPTION	DATE	DWN	APVD
-	-	SEE SHEET 1	-	-	-


WITH CAP



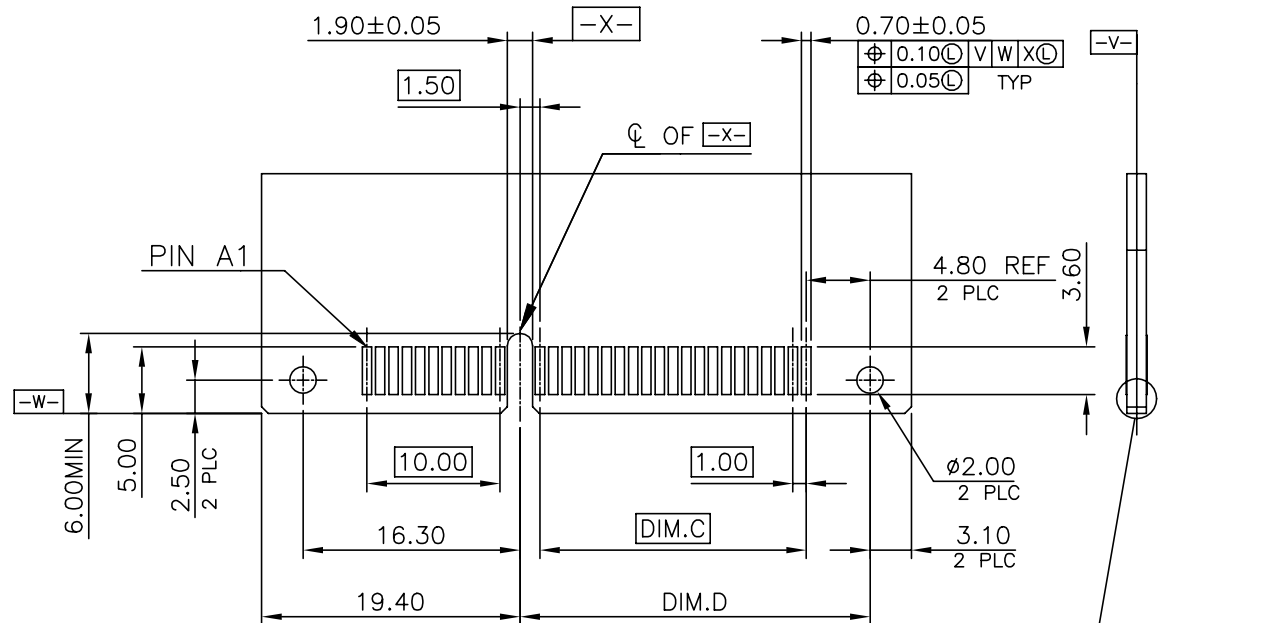
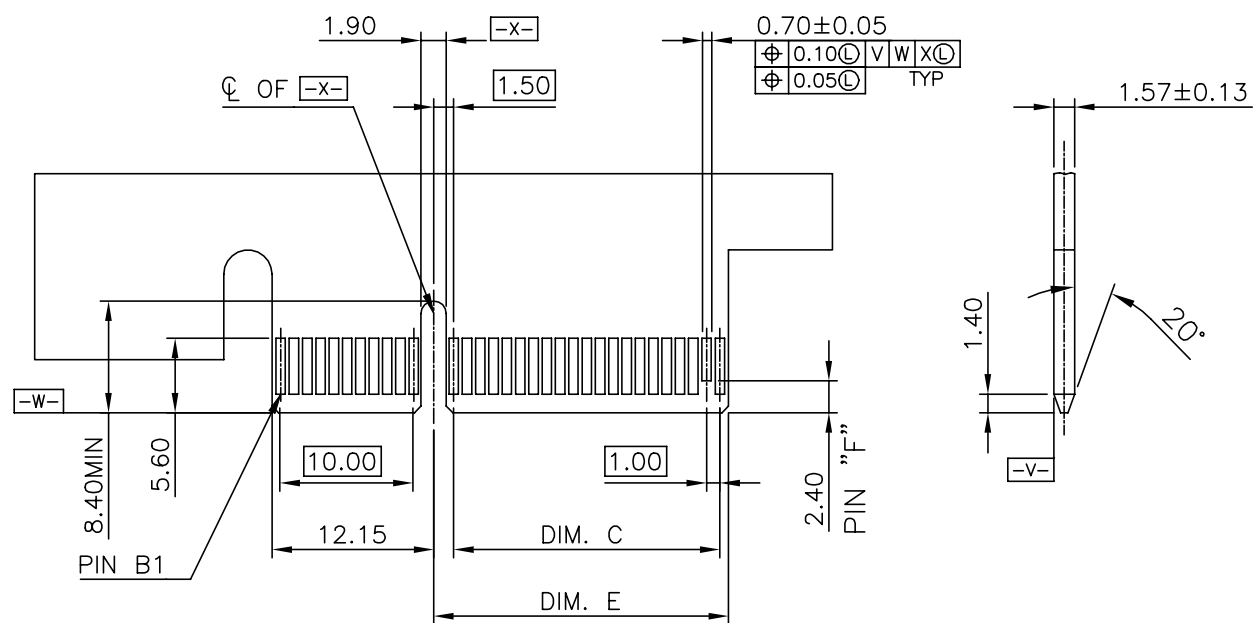
164	84.4
98	51.4
64	34.4
36	20.4
POSITION	DIM G



Y	76.30	70.0	89.0	0.762um [30u"]	164	2-2387405-4
Y	43.30	37.0	56.0		98	2-2387405-3
Y	26.30	20.0	39.0		64	2-2387405-2
Y	12.30	6.0	25.0		36	2-2387405-1
Y	76.30	70.0	89.0	0.381um [15u"]	164	1-2387405-4
Y	43.30	37.0	56.0		98	1-2387405-3
Y	26.30	20.0	39.0		64	1-2387405-2
Y	12.30	6.0	25.0	36	1-2387405-1	
Y	76.30	70.0	89.0	0.0254um [1u"]	164	2387405-4
Y	43.30	37.0	56.0		98	2387405-3
Y	26.30	20.0	39.0		64	2387405-2
Y	12.30	6.0	25.0		36	2387405-1
CAP (Y/N)	DIM. D	DIM. C	DIM. B	MIN. GOLD THICKNESS	POSITION	PART NUMBER

THIS DRAWING IS A CONTROLLED DOCUMENT.		DWN TONY LI 26FEB2021	 TE Connectivity Ltd.				
DIMENSIONS: mm		CHK ALEX SHOAL 26FEB2021					
TOLERANCES UNLESS OTHERWISE SPECIFIED:		APVD HOPE LU 26FEB2021	NAME PCI EXPRESS GEN4 CARD EDGE CONNECTOR STRADDLE MOUNT OPEN END				
0 PLC ± - 1 PLC ± 0.3 2 PLC ± 0.20 3 PLC ± 0.15 4 PLC ± - ANGLES ± 3°		PRODUCT SPEC -	APPLICATION SPEC -				
MATERIAL SEE NOTE		FINISH SEE NOTE	WEIGHT 0	SIZE A3	CAGE CODE 00779	DRAWING NO C=2387405	RESTRICTED TO -
CUSTOMER DRAWING			SCALE 1:1	SHEET 2 OF 4	REV A		

P	LTR	DESCRIPTION	DATE	DWN	APVD
-	-	SEE SHEET 1	-	-	-



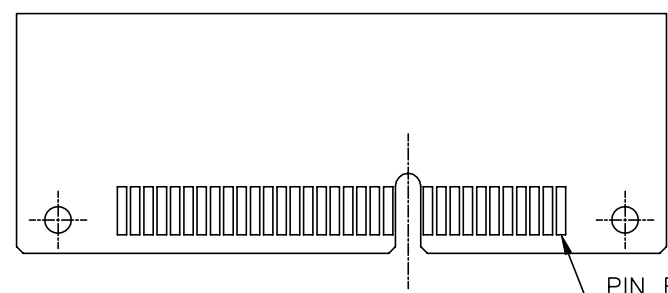
1/0 PANEL DIRECTION  
PRIMARY (COMPONENT) SIDE

1/0 PANEL DIRECTION  
SECONDARY (SOLDER) SIDE

ADD-IN CARD EDGE-FINGER DIMENSIONS

NOTES:  
CHAMFER EDGE MUST BE FREE OF CUTTING BURRS

RECOMMEND MODULE CARD STRUCTURE



RECOMMEND PCB LAYOUT

70.00	76.30	72.15	B81	164
37.00	43.30	39.15	B48	98
20.00	26.30	22.15	B31	64
6.00	12.30	8.15	B17	36
DIM.C	DIM.D	DIM.E	PIN "F"	POSITION

THIS DRAWING IS A CONTROLLED DOCUMENT.

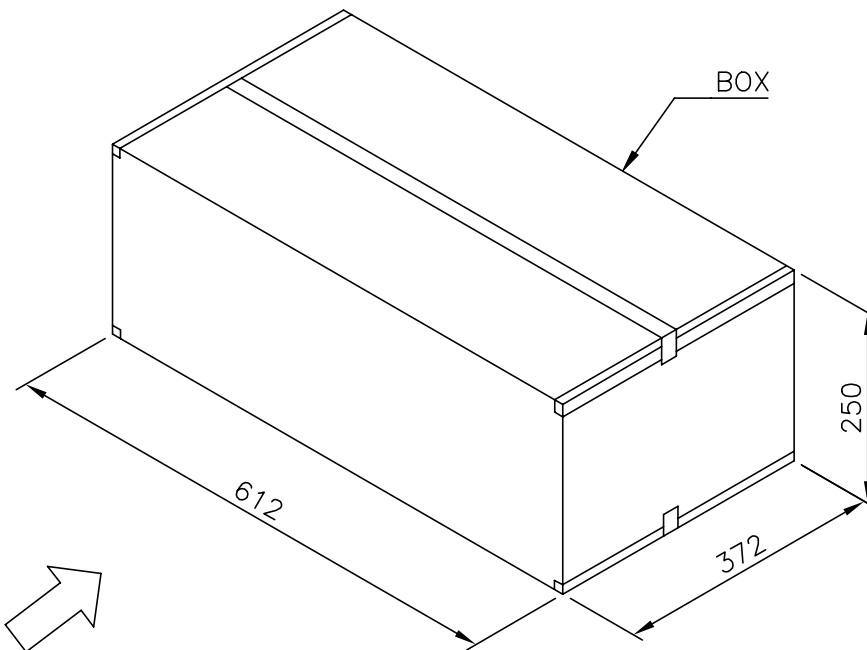
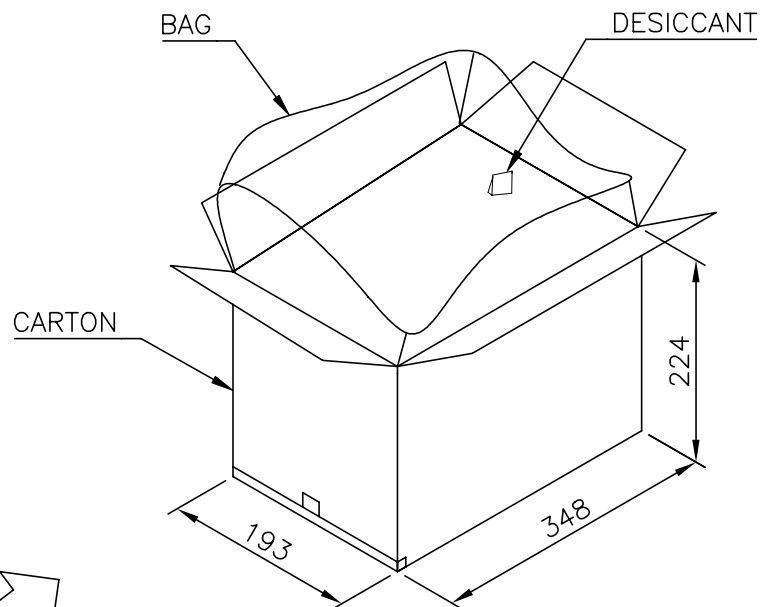
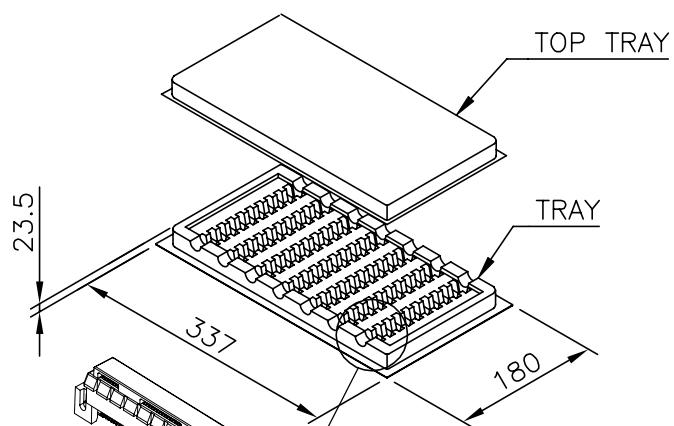
DIMENSIONS: mm	TOLERANCES UNLESS OTHERWISE SPECIFIED: 0 PLC ± - 1 PLC ± 0.3 2 PLC ± 0.20 3 PLC ± 0.15 4 PLC ± - ANGLES ± 3'	DWN TONY LI 26FEB2021 CHK ALEX SHOAL 26FEB2021 APVD HOPE LU 26FEB2021	TE Connectivity Ltd.	
MATERIAL SEE NOTE	FINISH SEE NOTE	APPLICATION SPEC WEIGHT 0	NAME PCI EXPRESS GEN4 CARD EDGE CONNECTOR STRADDLE MOUNT OPEN END SIZE A3 CAGE CODE 00779 DRAWING NO C=2387405 RESTRICTED TO -	
CUSTOMER DRAWING		SCALE 1:1	SHEET 3 OF 4	REV A

REVISIONS

P	LTR	DESCRIPTION	DATE	DWN	APVD
-	-	SEE SHEET 1	-	-	-

NOTES :

- MATERIAL :  
 TRAY: PVC, COLOR: TRANSPARENT.  
 CARTON: CORRUGATED FIBER  
 BOX: CORRUGATED FIBER  
 TRANSPARENT BAG: PE, SIZE: 480mm\*350mm\*0.06mm  
 600mm\*590mm\*0.06mm
- EACH BAG SHALL BE INCLUDED:  
 \* DESICCANT



30	10	3	900	164
40	10	3	1200	98
50	10	3	1500	64
70	10	3	2100	36
PCS/ TRAY	TRAY/ CARTON	CARTON/ BOX	PCS/ BOX	POS

D

D

C

C

B

B

A

A

THIS DRAWING IS A CONTROLLED DOCUMENT.

DWN TONY LI 26FEB2021

CHK ALEX SHOAL 26FEB2021

APVD HOPE LU 26FEB2021

PRODUCT SPEC

APPLICATION SPEC

WEIGHT 0

CUSTOMER DRAWING

**STE** TE Connectivity Ltd.

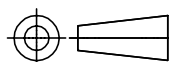
PCI EXPRESS GEN4 CARD EDGE CONNECTOR  
STRADDLE MOUNT OPEN END

SIZE CAGE CODE DRAWING NO RESTRICTED TO

A3 00779 C=2387405

SCALE 1:1 SHEET 4 OF 4 REV A

DIMENSIONS: mm



TOLERANCES UNLESS OTHERWISE SPECIFIED:

- 0 PLC ± -
- 1 PLC ± 0.3
- 2 PLC ± 0.20
- 3 PLC ± 0.15
- 4 PLC ± -
- ANGLES ± 3'

MATERIAL SEE NOTE FINISH SEE NOTE