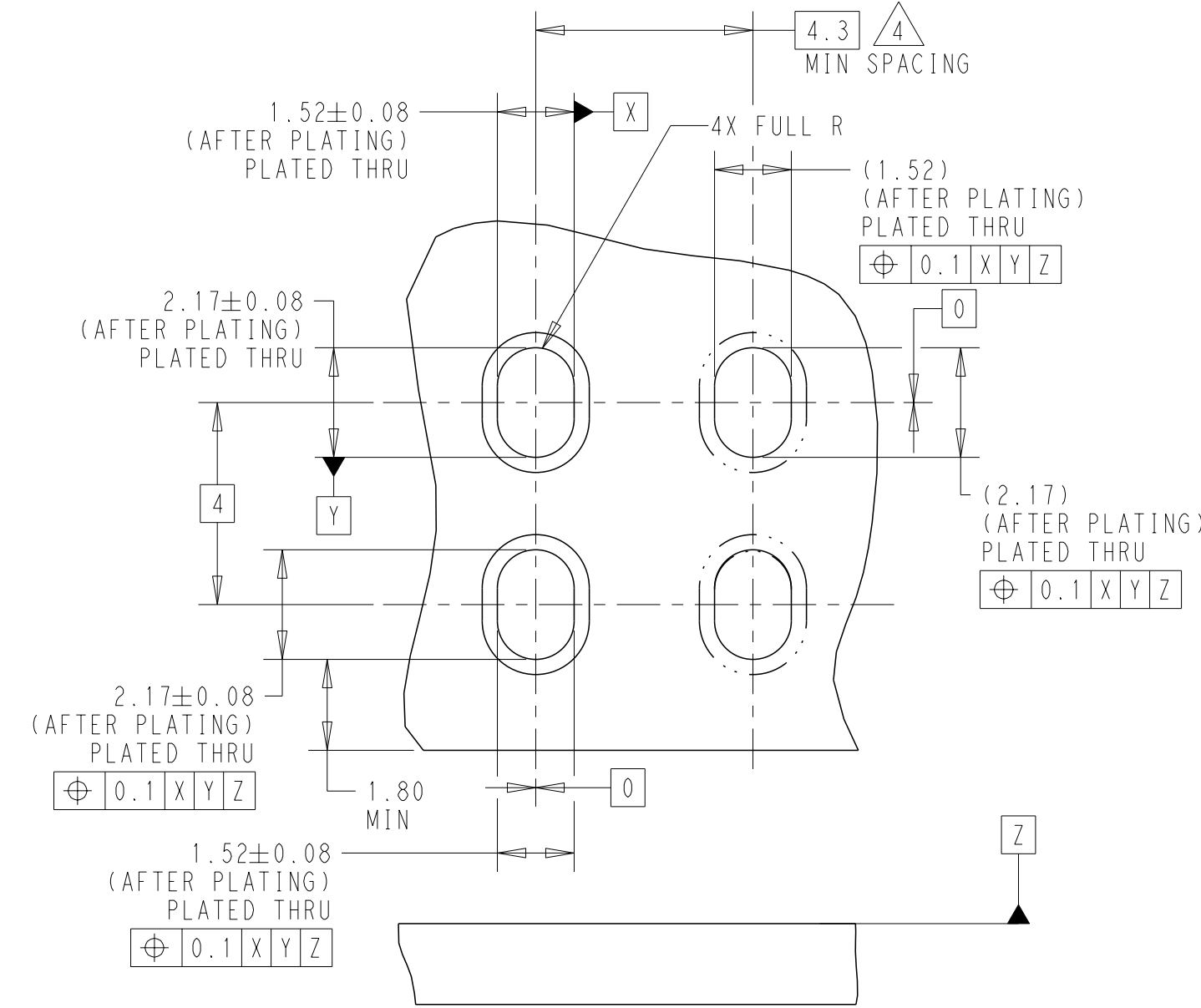
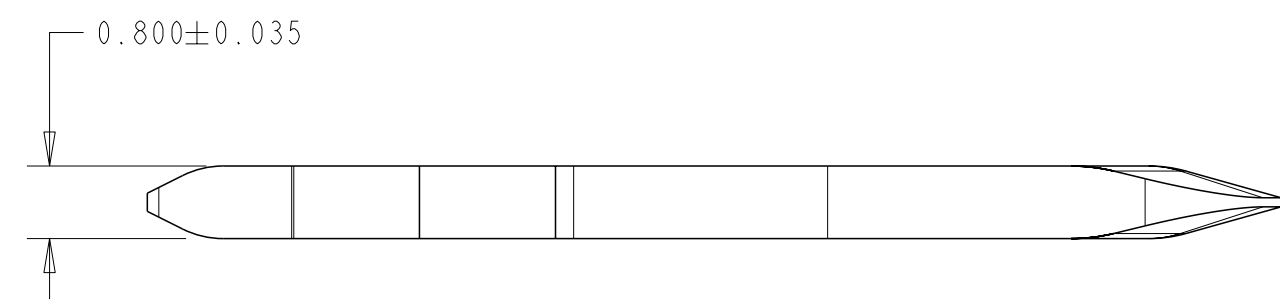
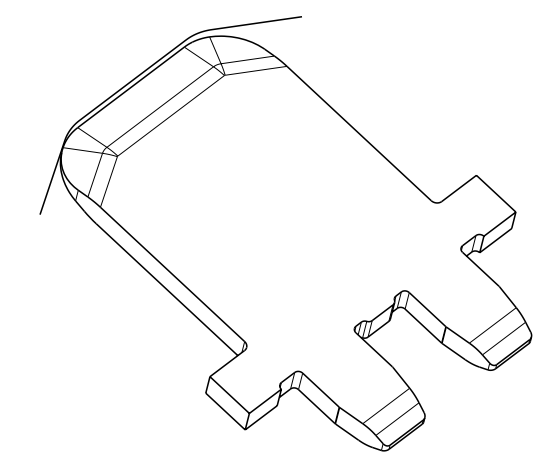


REVISIONS					
P	LTR	DESCRIPTION	DATE	DWN	APVD
E		REVISED PER ECN-23-211368	05MAY2023	BKW	AF
F		REVISED PER ECN-23-227018	18AUG2023	BKW	AF
F1		REVISED PER ECN-24-251848	12FEB2024	BKW	WM
F2		REVISED PER ECN-24-252074	14FEB2024	BKW	WM

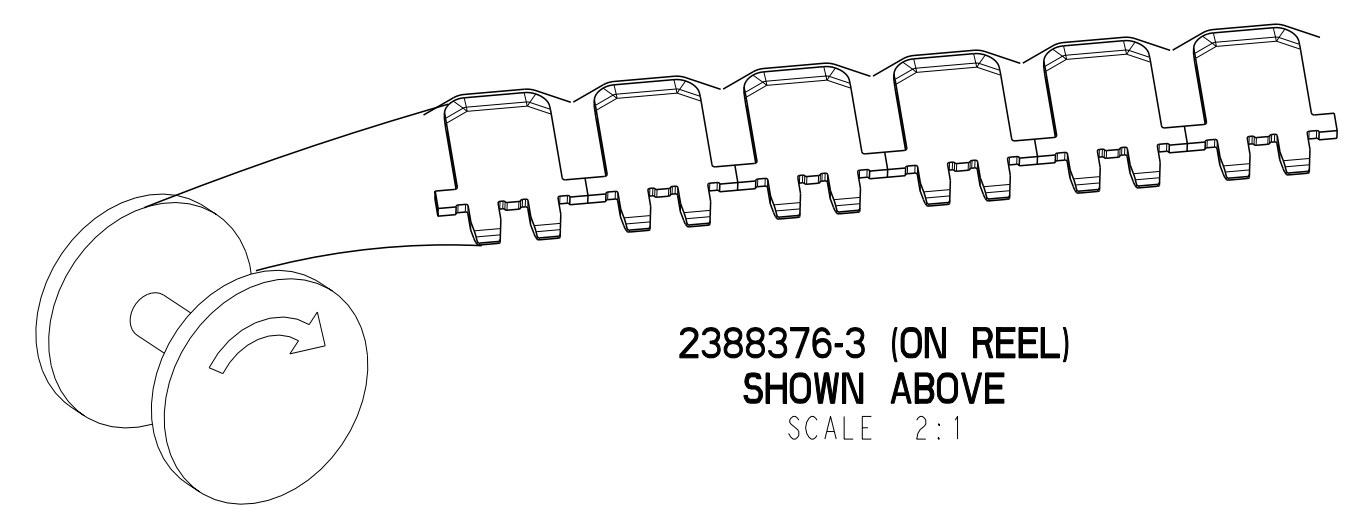


- 1 ALL DIMENSIONS SHOWN ARE REFERENCE
- 2 SELECTIVE TIN PLATING APPLIED TO ALL SURFACES IN AREA SHOWN.
- 3. DESIGNED TO BE INSERTED DIRECTLY INTO A PCB WITH AN INTERFERENCE FIT BETWEEN THE TERMINALS SOLDER LEGS AND THE RECOMMENDED PCB SLOT LAYOUT.
- 4 PROPER TERMINAL SPACING CAN VARY DUE TO MANY FACTORS. TO VERIFY PROPER SPACING FOR YOUR APPLICATION PLEASE CONTACT TE PRODUCT ENGINEERING FOR A COMPLETE ANALYSIS.
- 5 PART IS LUBRICATED, AND LUBRICANT MAY BE PRESENT ON ENTIRE PART SURFACE. AVOID CONTACT WITH TERMINAL CONTACT ZONE DURING HANDLING TO AVOID REMOVING LUBRICANT FROM PART IN THIS AREA.

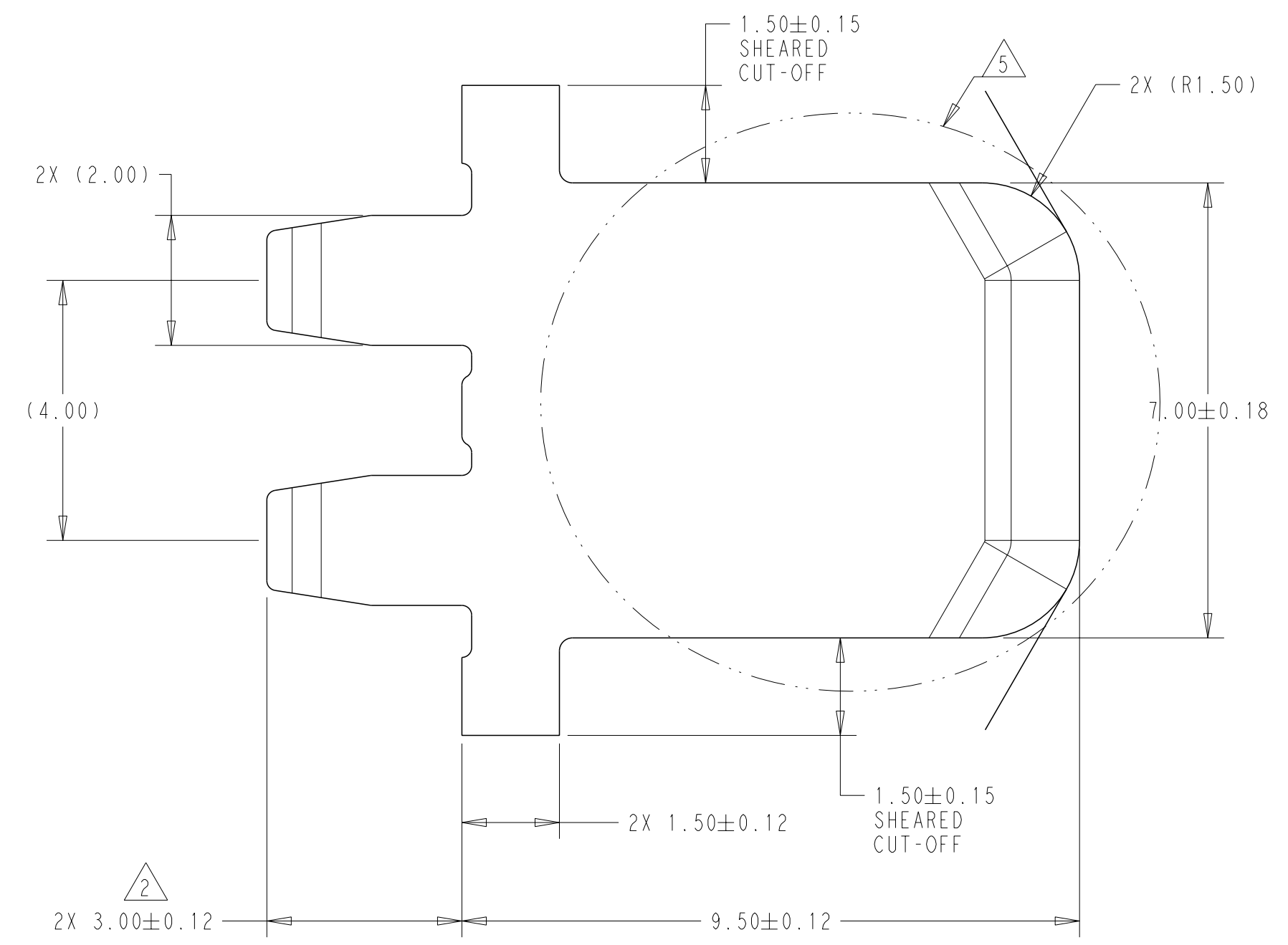
RECOMMENDED PCB LAYOUT
SCALE 8:1



2388376-4 (LOOSE PIECED)
SHOWN ABOVE
SCALE 5:1



2388376-3 (ON REEL)
SHOWN ABOVE
SCALE 2:1



THIS DRAWING IS A CONTROLLED DOCUMENT.

DIMENSIONS:	TOLERANCES UNLESS OTHERWISE SPECIFIED:
mm	0 PLC ±
	1 PLC ±
	2 PLC ±
	3 PLC ±
	4 PLC ±
	ANGLES ±
	FINISH ±
MATERIAL	SEE TABLE
	SEE TABLE

DWN	B. WEAVER	08APR2021	TE Connectivity				
CHK	A. FORTIER	08APR2021					
APVD	W. MOYER	08APR2021					
NAME	TAB TERMINAL, PCB, BATTERY CONNECTOR						
PRODUCT SPEC	108-160280		SIZE	CAGE CODE	DRAWING NO	RESTRICTED TO	
APPLICATION SPEC	114-160168		A2	00779	C-2388376	-	
WEIGHT	-		CUSTOMER DRAWING	SCALE	12:1	SHEET	1 OF 1
						REV	F2

printed on 14 Feb 2024 16:54 (Eastern Standard Time) from US075751