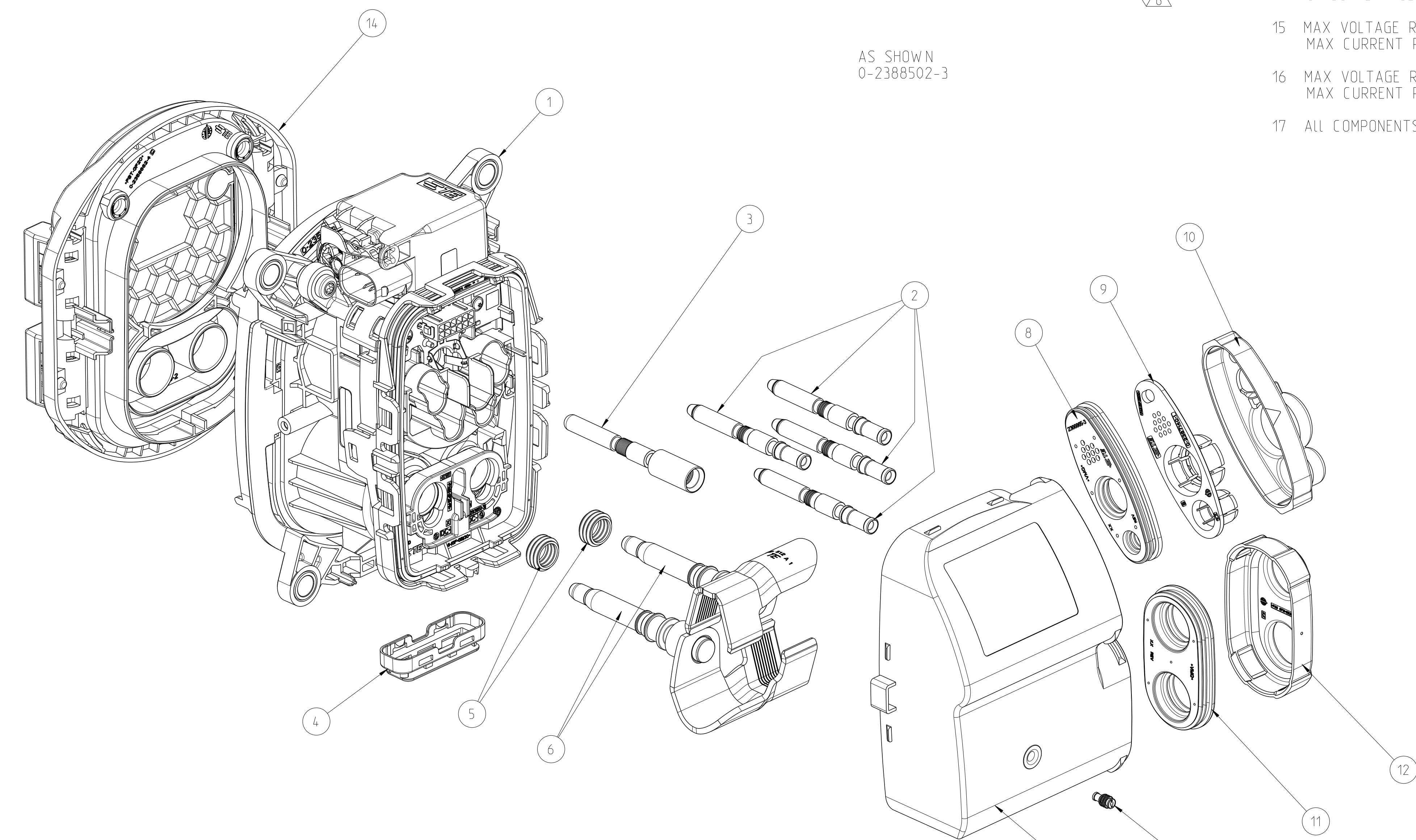
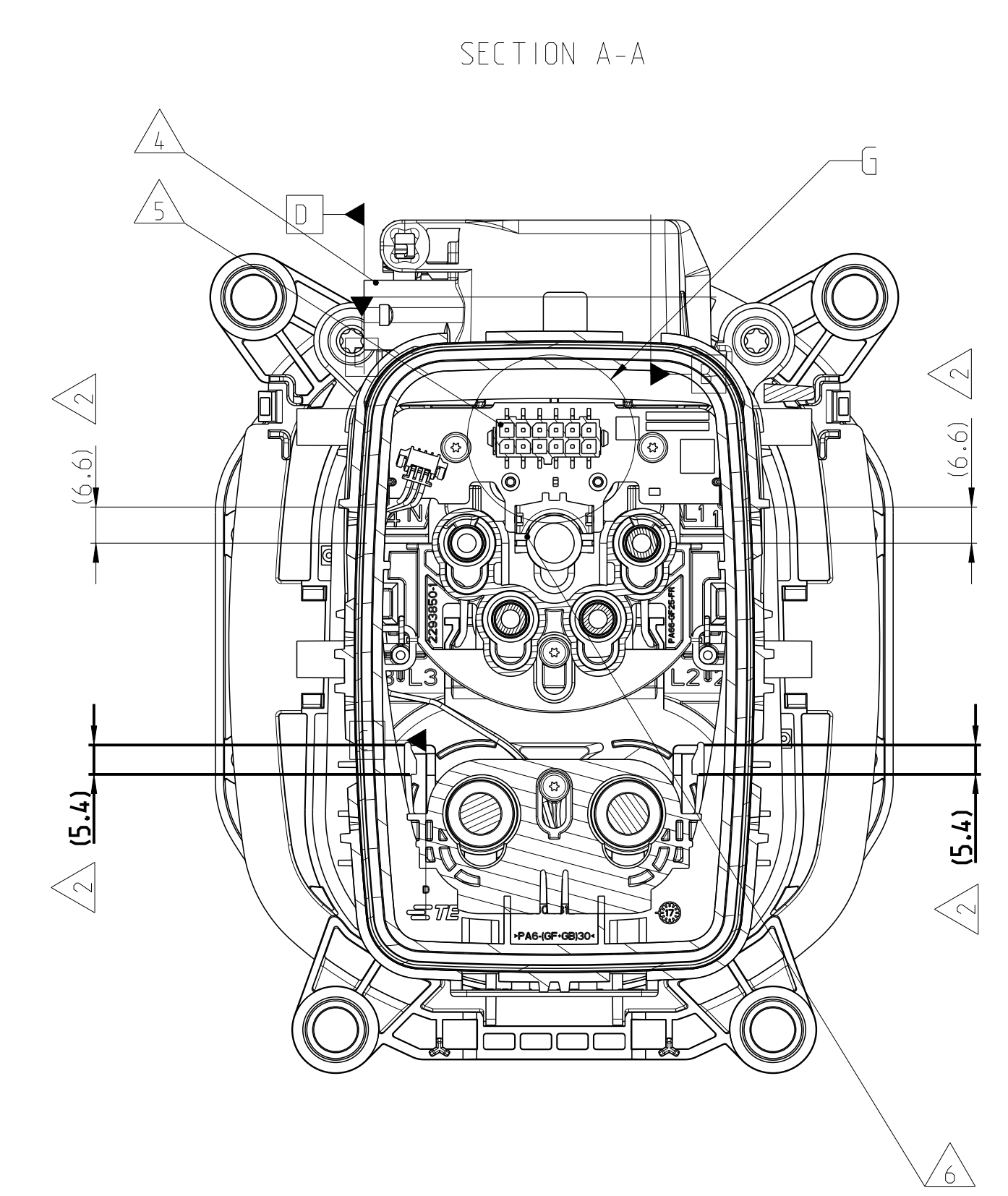
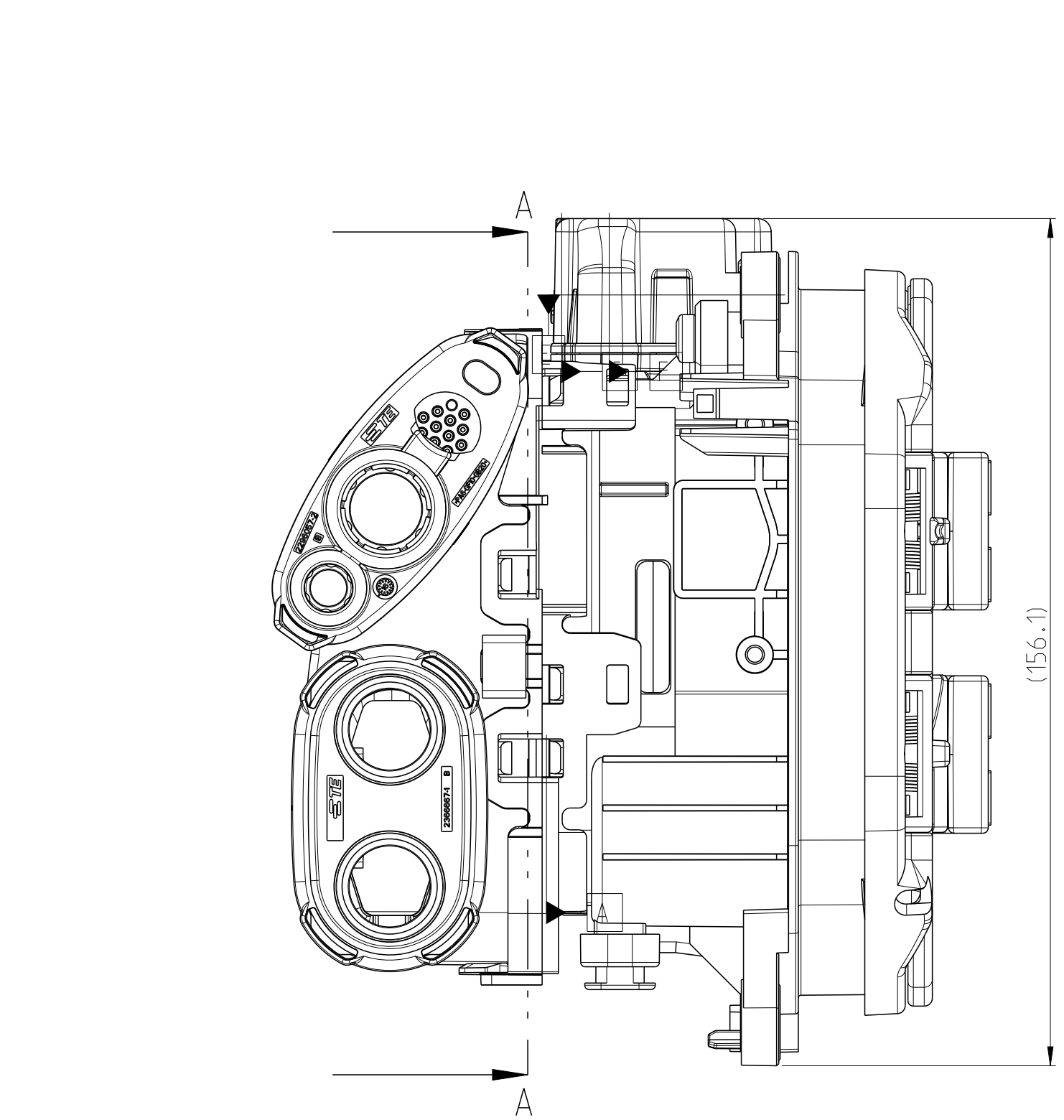
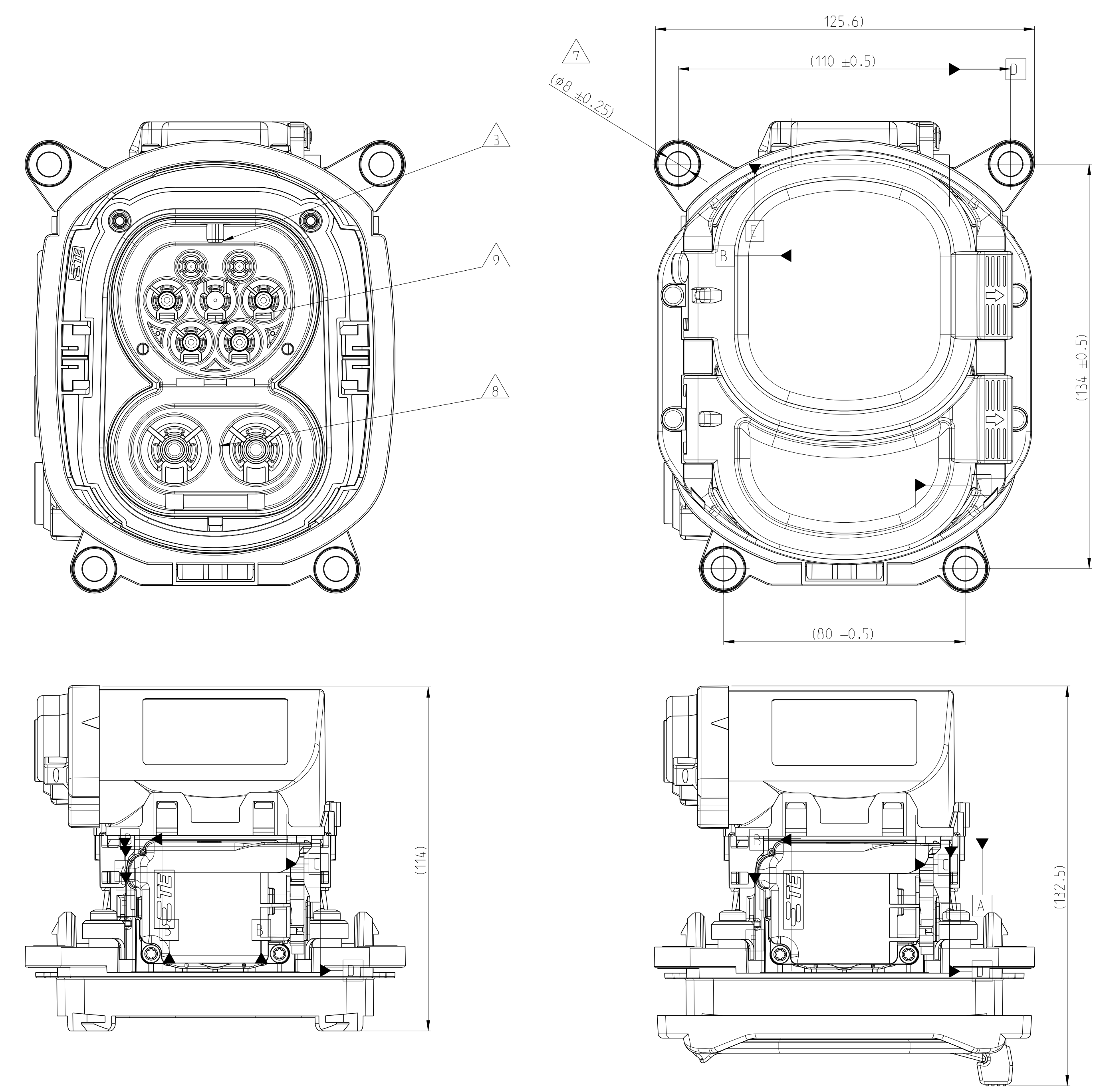


VARIANTS WITHOUT FLAP

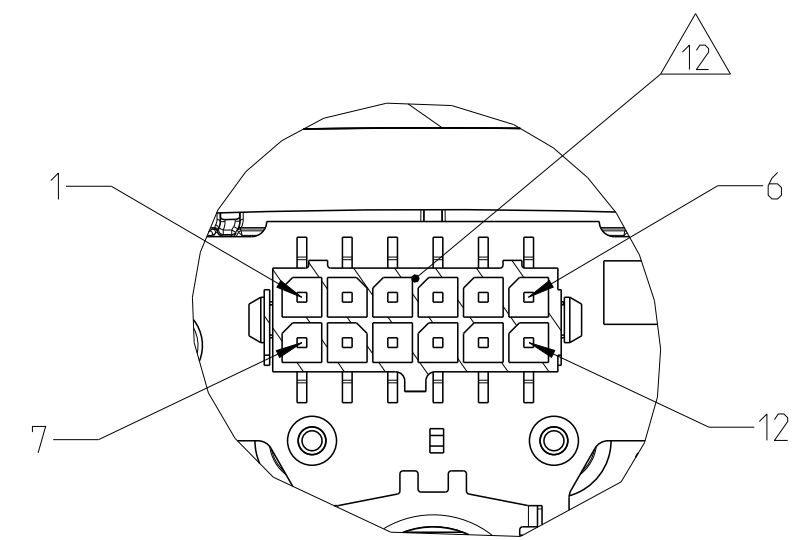
VARIANTS WITH FLAP



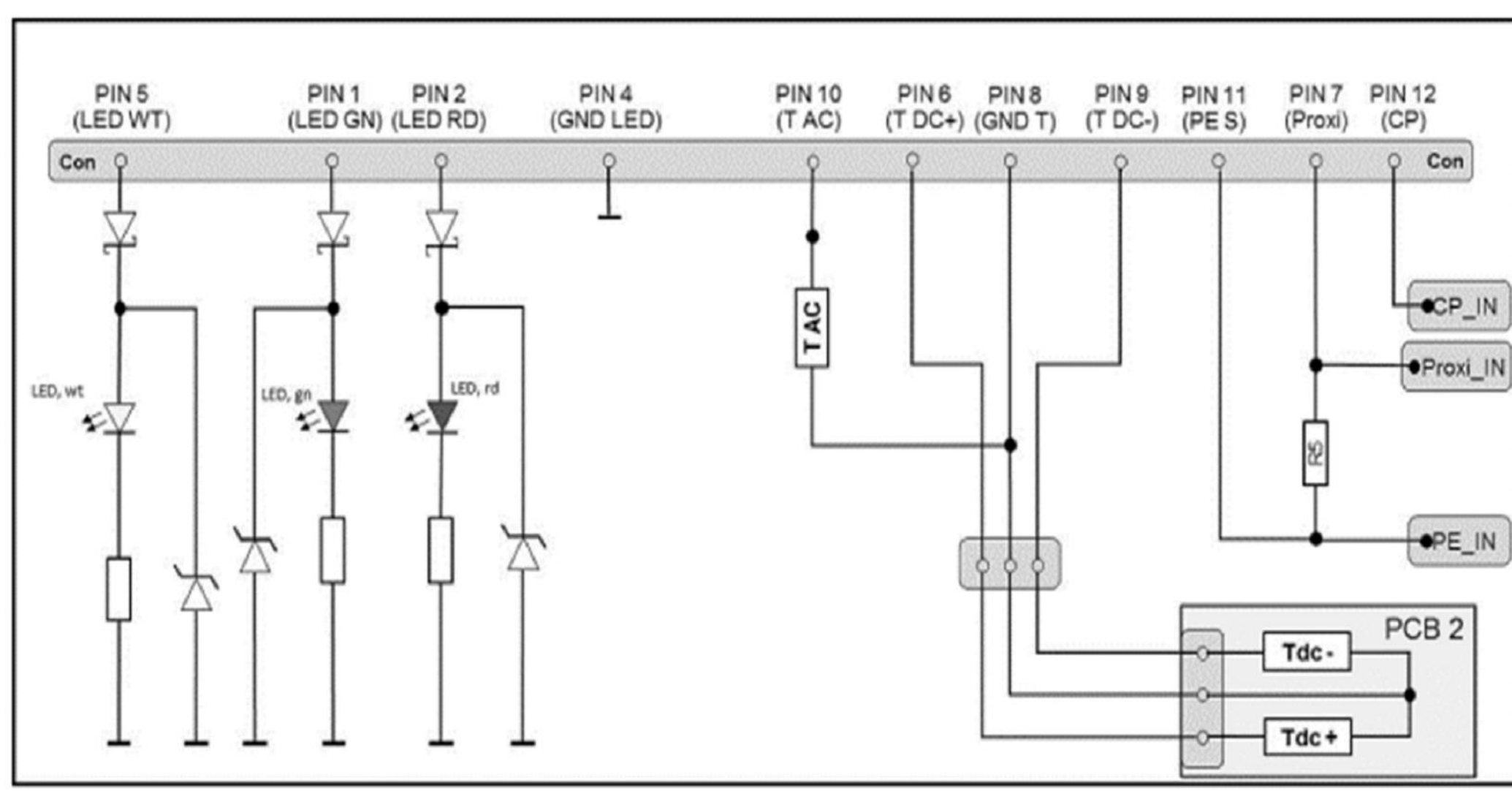
NOTES

- 1 PACKED INTERLAYERED IN PLASTIC BAG IN CORRUGATED SHIPPING BOX
- 2 DELIVERY CONDITION: SEC. LOCKS IN PRELOCK POSITION
- 3 DELIVERY CONDITION ACTUATOR: ACTUATOR IN BASE POSITION
- 4 ROOM FOR CONNECTOR PN 1-967640-1 MATING WITH TE SPEC. 114-18063-124.
- 5 MAKE SURE THAT NO MECHANICAL FORCES ARE APPLIED ON THE HEADER OF PCBA
- 6 PE CONTACT CLAMP MAY BE DISCOLORED (BLACK/BROWN). TYPICAL FOR AG PLATING AND HAS NO IMPACT ON FUNCTION
- 7 APPLICABLE SCREWS FOR MOUNTING: HEAD DIAMETER MIN. 10.5mm, TORQUE 6Nm±0.9Nm FOR M6 SCREWS
- 8 CHARGE INLET SIMILAR TO IEC62196-3, CCS 2, SHEET 3-1Va
- 9 CHARGE INLET SIMILAR TO IEC62196-2, TYPE 2, SHEET 2-2
- 10 ADAPTIVE CABLES SEE APPLICATION SPECIFICATION 114-94723
- 11 SPECIFIED IN PRODUCT SPECIFICATION 108-94839
- 12 COMPATIBLE PCB CONNECTOR: PN 1-794617-2 WITH TERMINAL PN 0-794606-1
- 13 FUNCTIONAL AND ELECTRICAL REQUIREMENTS OF ACTUATOR SEE SPECIFICATION 108-94519
- 14 CHECK FEEDBACK SIGNAL OF THE ACTUATOR:
FEEDBACK TIME < 10MS (AFTER REACHING FINAL POSITION)
2mA < LOCK POSITION < 4mA
15mA < UNLOCK POSITION < 19mA
8mA < PARTIAL LOCK POSITION < 12mA
8V-SUPPLY VOLTAGE < 16V
- 15 MAX VOLTAGE RATING 480 VAC
MAX CURRENT RATING 32 A
- 16 MAX VOLTAGE RATING 1000 VDC
MAX CURRENT RATING 200 A
- 17 ALL COMPONENTS OF THE PARTS LIST ARE DELIVERED IN SEPARATE SUBPACKAGES

DETAIL G
SCALE 2:1



CIRCUIT DIAGRAM (FOR INFORMATION ONLY)



3-2293469-2 & 4-2293469-2
4 WIRE VARIANT:
4 Anschluss Variante

PIN 3	PIN 2	SENSE RESISTANCE	FUNCTION
-	+	11.000 kOhm ± 2%	LOCKED
-	+	2.194 kOhm ± 2%	DRIVE
-	+	1.540 kOhm ± 2%	FAULT
-	+	0.989 kOhm ± 2%	UNLOCKED

PIN 1	PIN 4	FUNCTION
-	+	UNLOCKING Entriegeln
+	-	LOCKING Verriegeln

PINNING
PCB

PIN NO.	COMBO 1
1	LED gn
2	LED rd
3	-
4	GND LED
5	LED wt
6	T DC+
7	Proxi
8	GND, Temp
9	T DC-
10	T AC
11	PE S
12	CP

TEST ITEM	TEST VOLTAGE		GROUND PIN	PROPERTY @T _{amb} = 25 ± 5 °C	
	VALUE	PIN		LIGHT EMISSION	CURRENT
LED WHITE	11V±0.2V	5	4	WHITE	20mA+4mA
LED GREEN	11V±0.2V	1	4	GREEN	20mA+4mA
LED RED	11V±0.2V	2	4	RED	20mA+4mA

TEST ITEM	RESISTANCE MEASUREMENT		VALUE @T _{amb} = 25 ± 5 °C
	TEST PINS		
T AC	10	8	1097Ω ± 20Ω
T DC+	6	8	1097Ω ± 20Ω
T DC-	9	8	1097Ω ± 20Ω
R5	11	7	4700Ω ± 14.0Ω
Proxi	Proxi	7	0Ω ± 1Ω
CP	CP	12	0Ω ± 1Ω

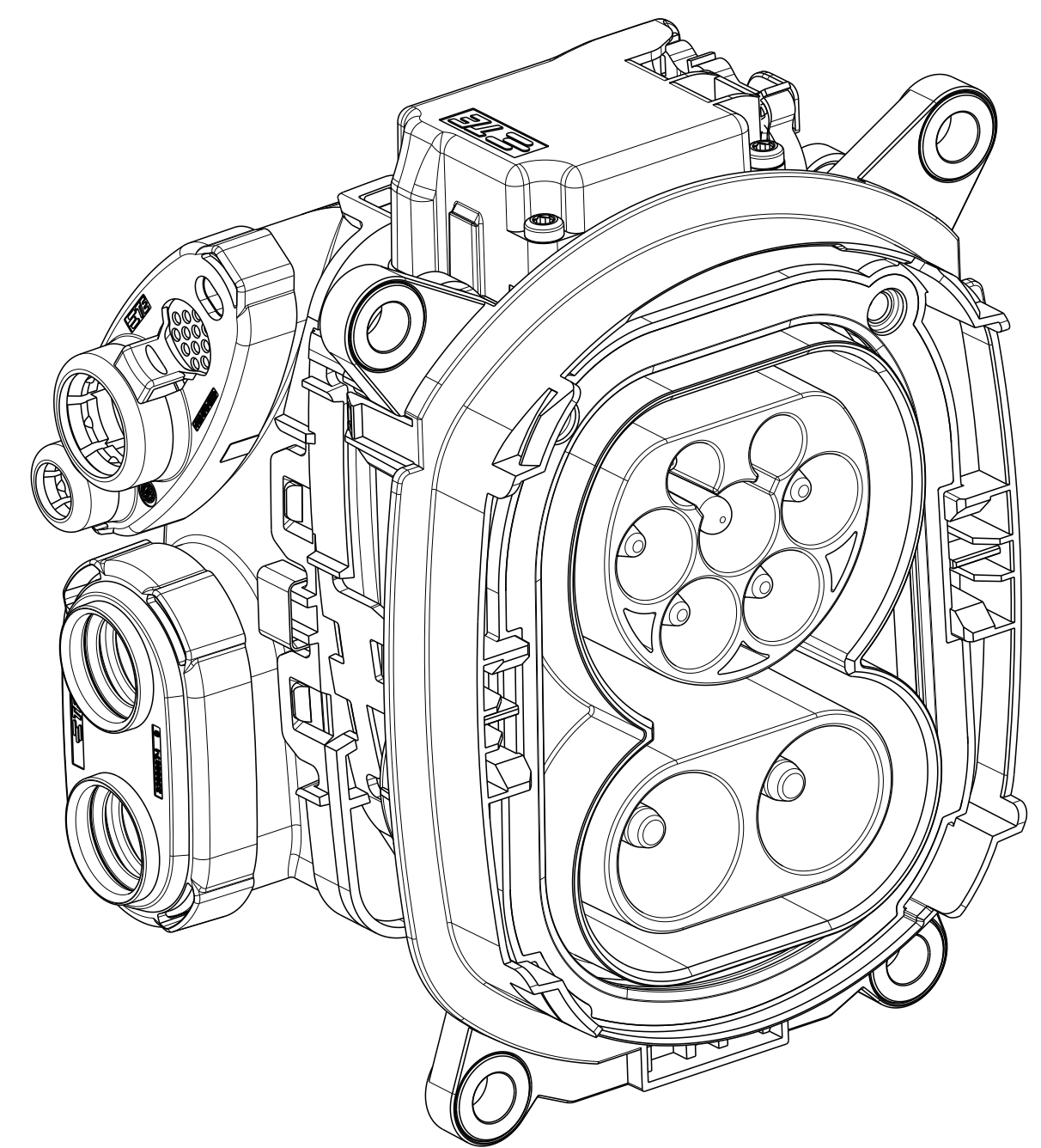
FLAP OPENING DIRECTION	RIGHT				LEFT				NO FLAP			
	RIGHT	LEFT	RIGHT	LEFT	RIGHT	LEFT	RIGHT	LEFT	RIGHT	LEFT	RIGHT	LEFT
CABLE EXIT FOR AC/DC/PE AND SIGNALS	1	1	-	-	-	-	1	1	-	-	-	-
	-	-	1	1	-	-	-	-	1	1	-	-
PARTS LIST	1	1	1	1	1	1	1	1	1	1	1	1
	1	1	1	1	1	1	1	1	1	1	1	1
	1	1	1	1	1	1	1	1	1	1	1	1
	1	1	1	1	1	1	1	1	1	1	1	1
	1	1	1	1	1	1	1	1	1	1	1	1
	1	1	1	1	1	1	1	1	1	1	1	1
	1	1	1	1	1	1	1	1	1	1	1	1
	1	1	1	1	1	1	1	1	1	1	1	1
	1	1	1	1	1	1	1	1	1	1	1	1
	1	1	1	1	1	1	1	1	1	1	1	1
	1	1	1	1	1	1	1	1	1	1	1	1
	1	1	1	1	1	1	1	1	1	1	1	1

VARIANTS OVERVIEW

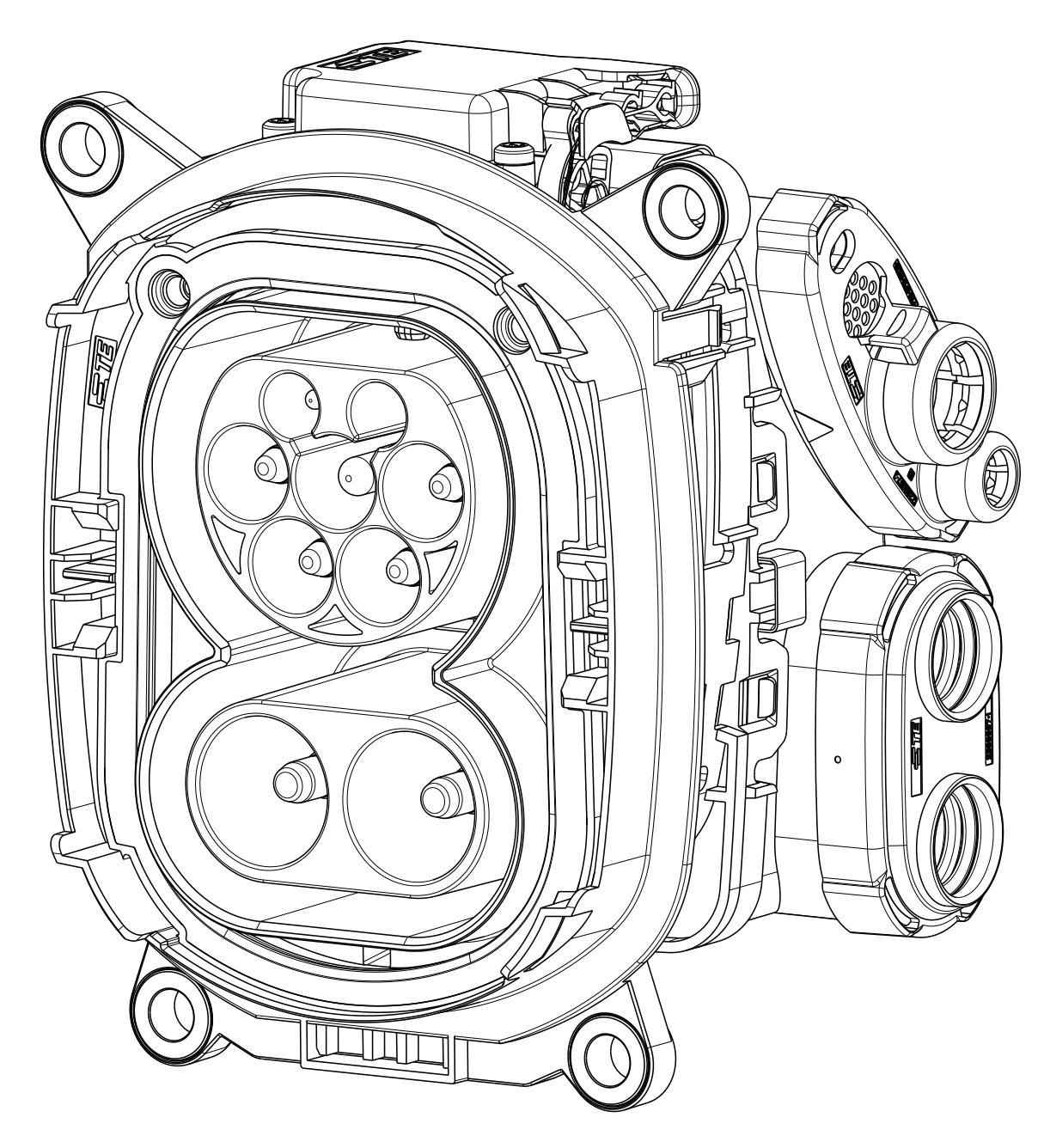
REVISIONS			
REV	DATE	DESCRIPTION	APPD
-	-	SEE SHEET 1	-

NO FLAP
CABLE EXIT LEFT
0-2388502-1

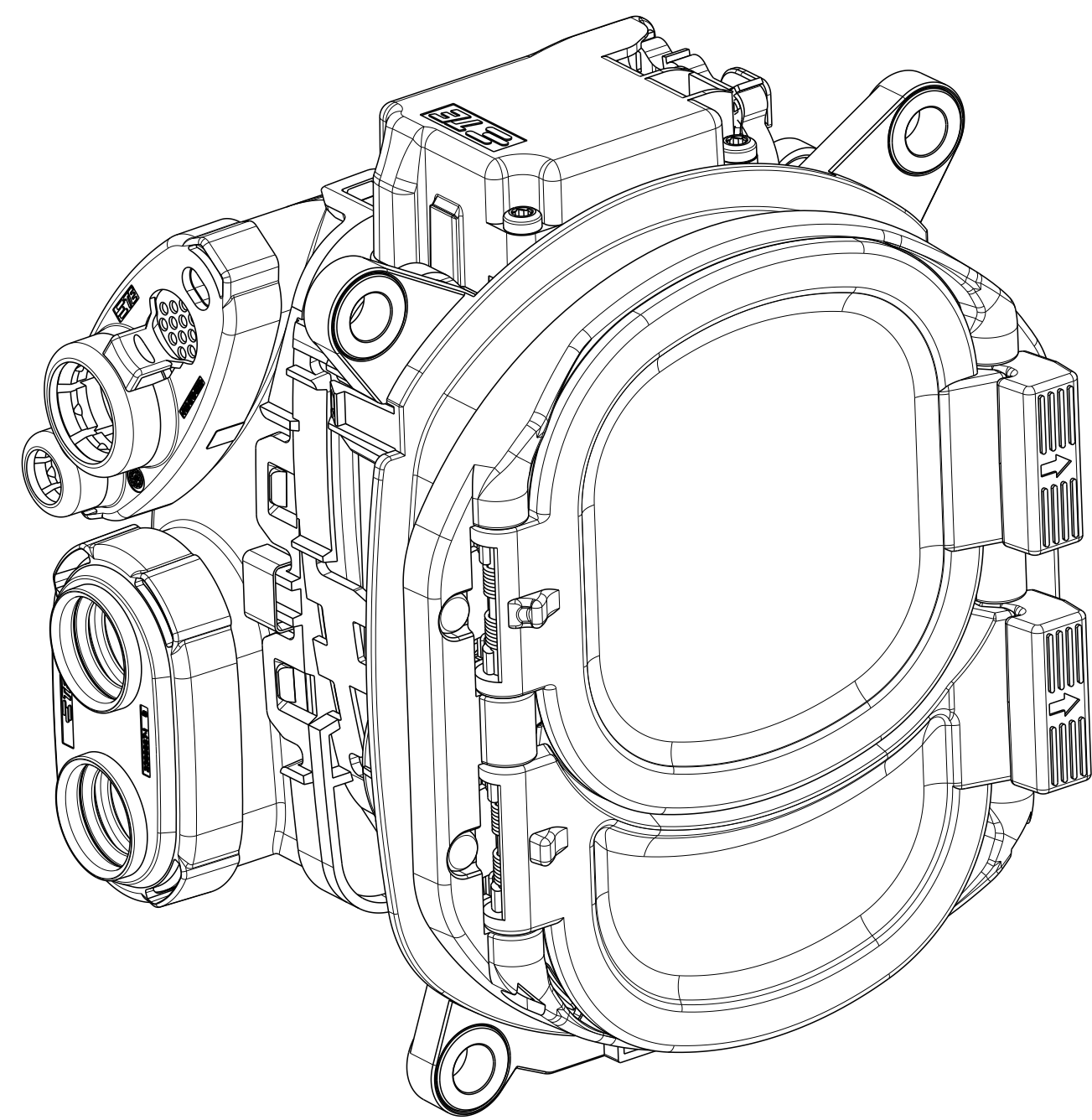
1:1



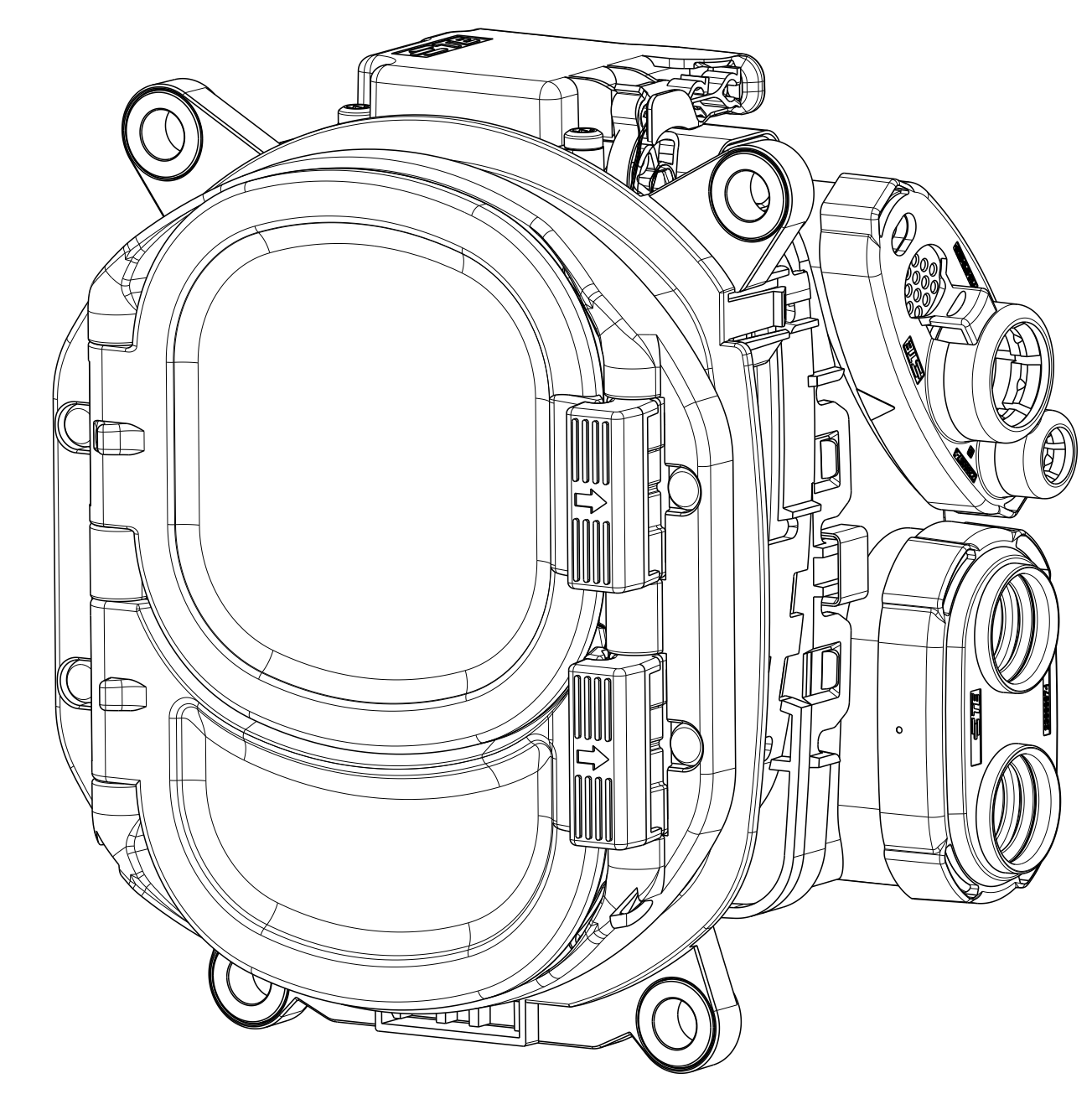
NO FLAP
CABLE EXIT RIGHT
0-2388502-2



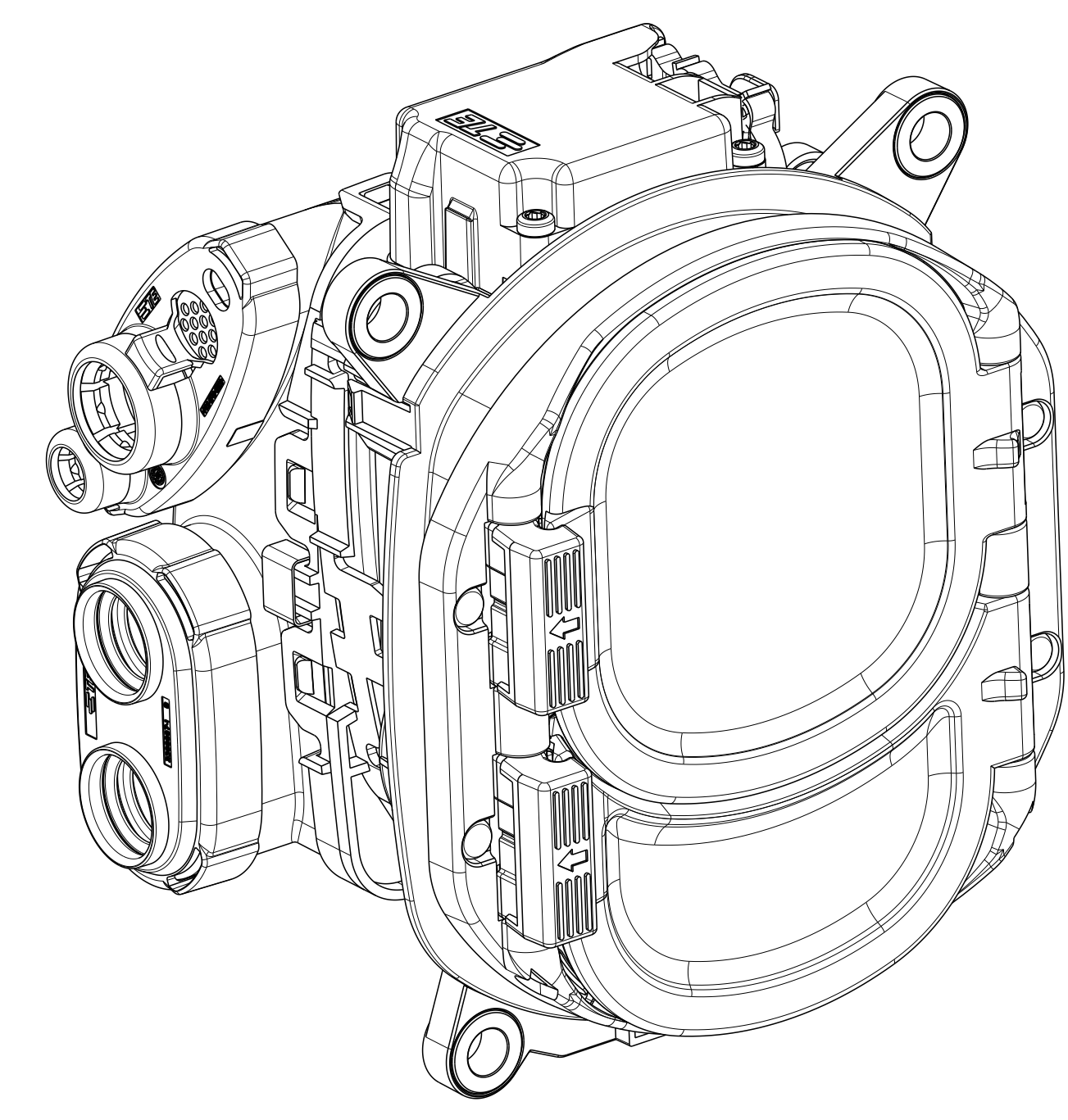
FLAP OPEN LEFT
CABLE EXIT LEFT
0-2388502-3



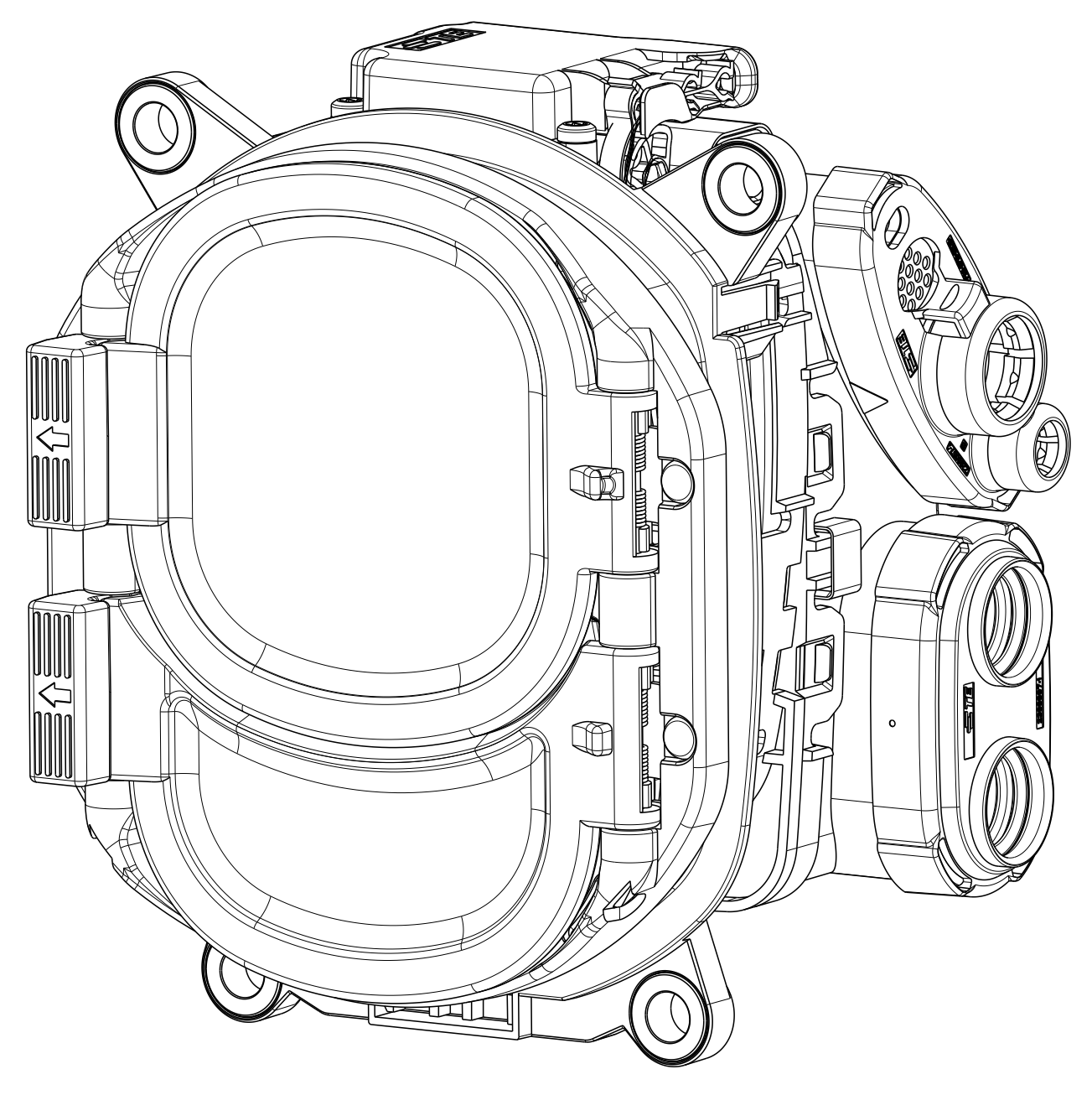
FLAP OPEN LEFT
CABLE EXIT RIGHT
0-2388502-4



FLAP OPEN RIGHT
CABLE EXIT LEFT
0-2388502-5



FLAP OPEN RIGHT
CABLE EXIT RIGHT
0-2388502-6



THIS DRAWING IS A CONTROLLED DOCUMENT. DIMENSIONING AND TOLERANCING PER GPS ISO STANDARDS.

DATE	10 JUN 2021	BY	U. Siegel
DATE	10 JUN 2021	BY	S. Kosch
DATE	10 JUN 2021	BY	J. K. Astor

NAME: CHARGE INLET KIT, COMBO2, LED

SCALE: 5:1 SHEET 2 OF 2 REV B

TE Connectivity