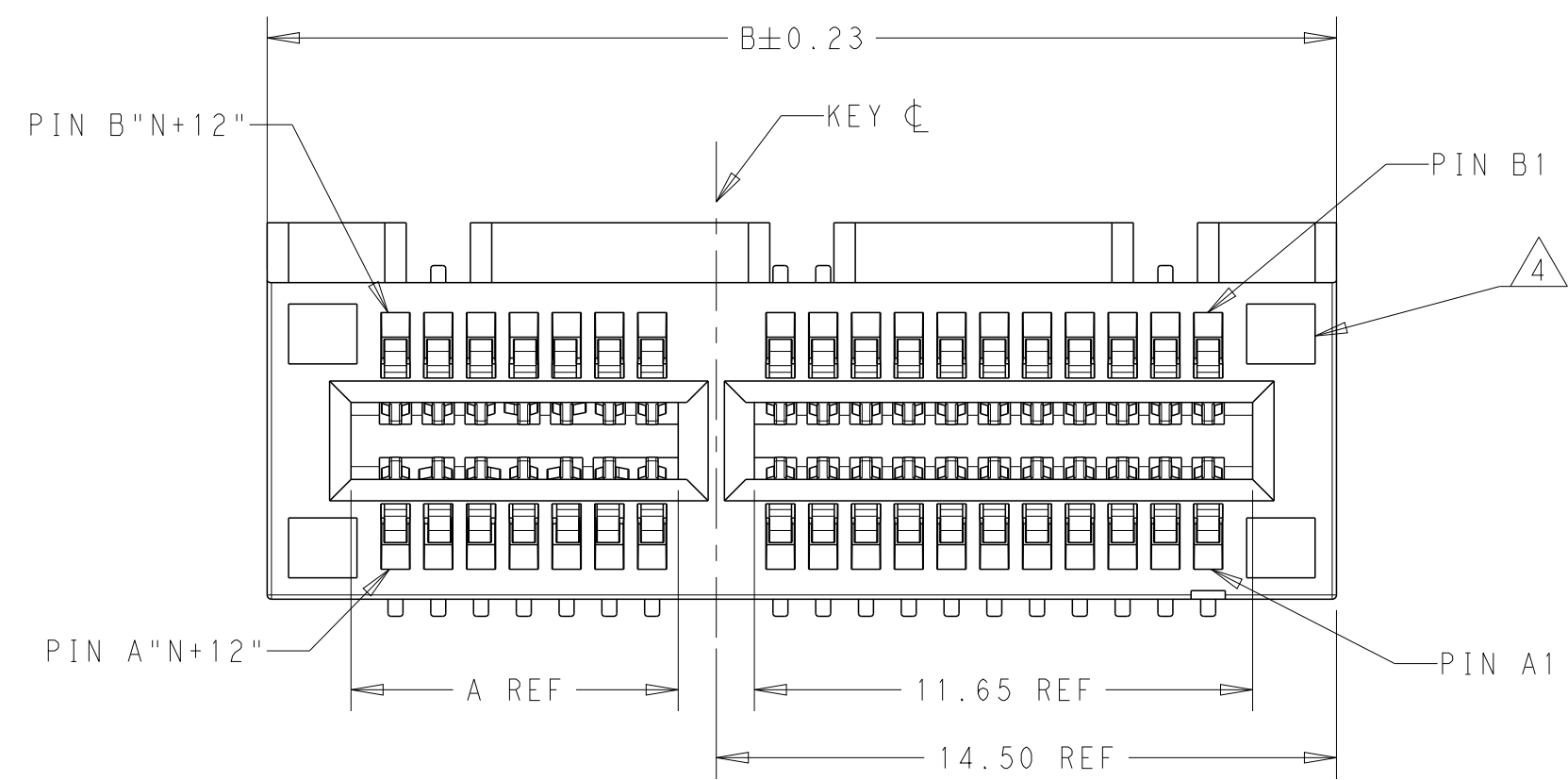


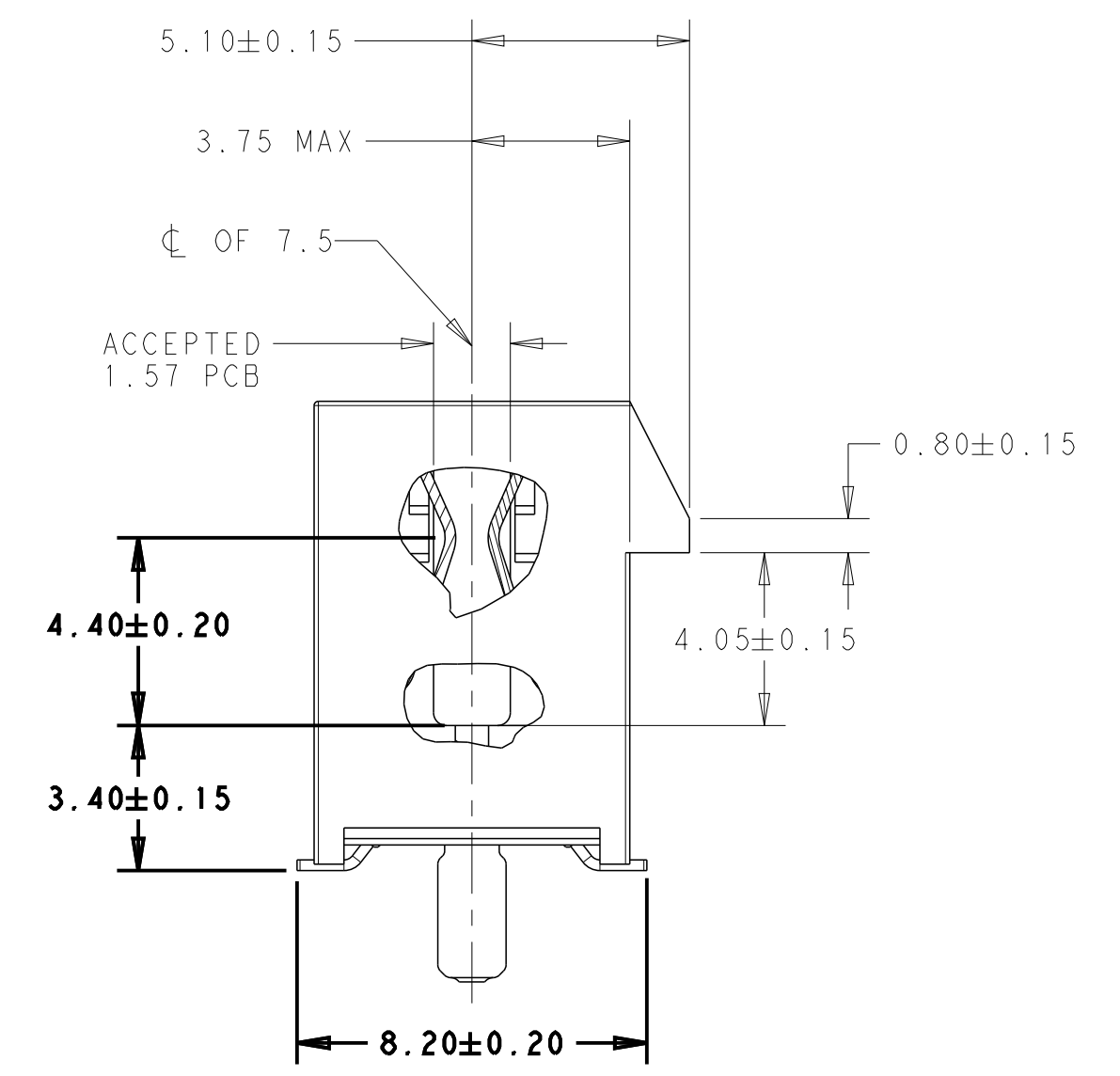
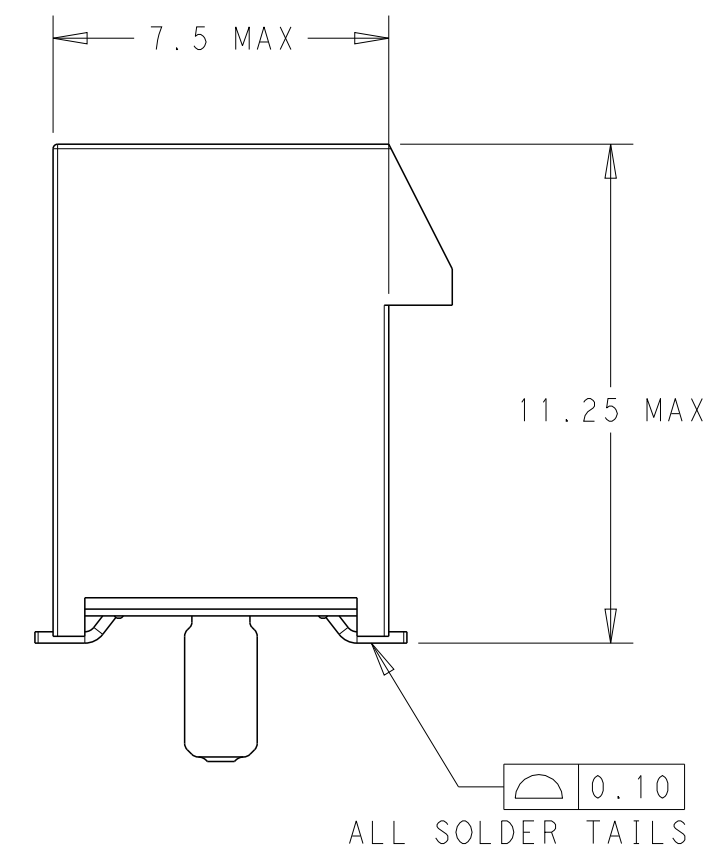
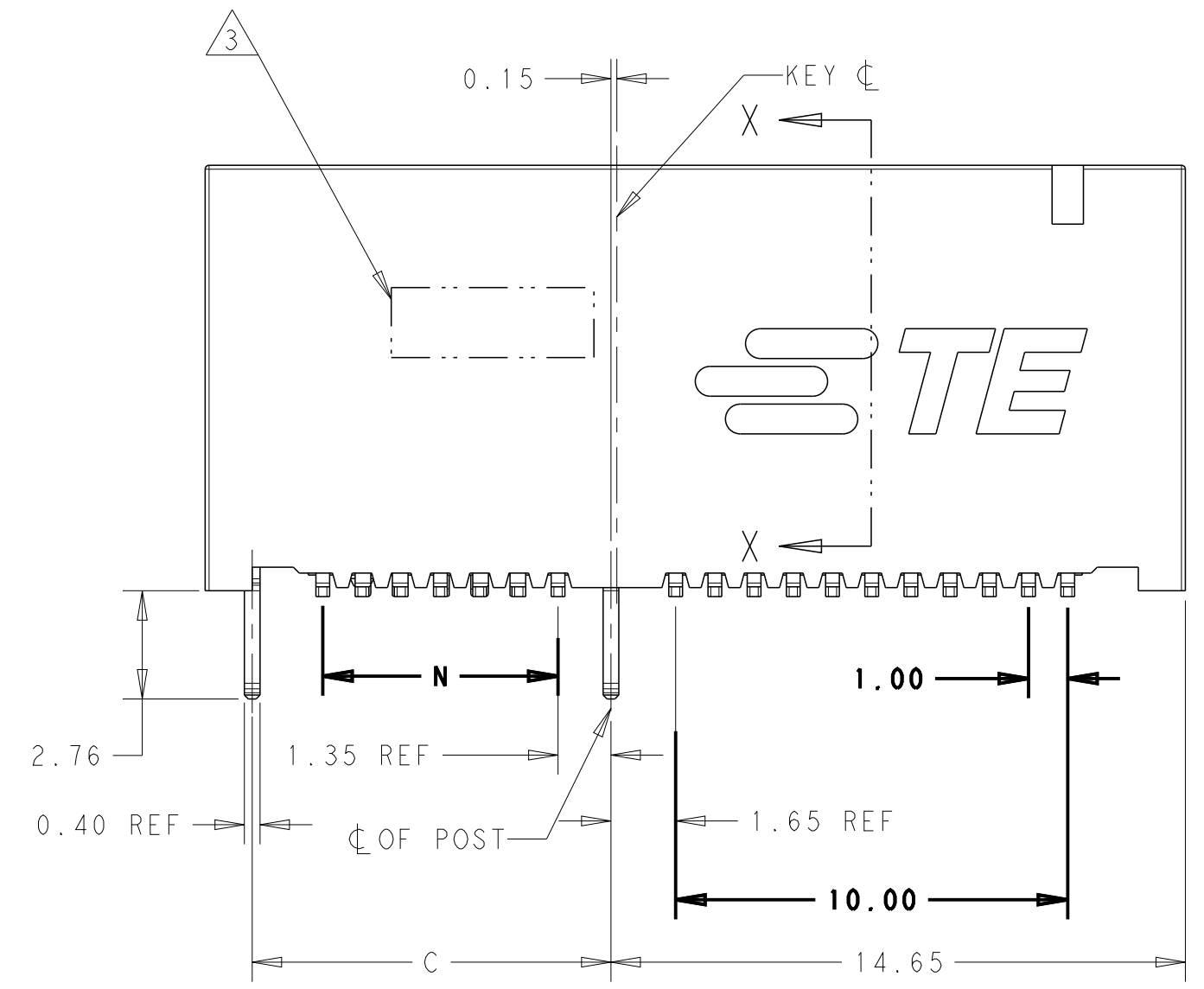
THIS DRAWING IS UNPUBLISHED. RELEASED FOR PUBLICATION 20
 © COPYRIGHT 20 BY - ALL RIGHTS RESERVED.

REVISIONS					
P	LTR	DESCRIPTION	DATE	DWN	APVD
A		A REVISION RELEASE	7JUNE2022	SY	HL
B		UPDATE HARD TRAY IN SHEETS	24NOV2022	MC	HL



NOTES:

- 1 MATERIAL:
HOUSING: HIGH-TEMP PLASTIC; BLACK, UL 94V-0
CONTACT: COPPER ALLOY
SOLDER TAB: STAINLESS STEEL
- 2 FINISH:
(SEE TABLE) μm GOLD PLATING OR GOLD FLASH OVER PdNi ON CONTACT AREA.
 $2.54 \mu\text{m}$ MATTE-TIN PLATING ON SOLDER TAIL AREA.
 $1.27 \mu\text{m}$ NICKEL UNDERPLATING OVERALL.
- 3 PART NUMBER AND DC PRINTED IN APPROPRIATE AREA OR OPPOSITE.
- 4 SUCH CORE AVOIDS PER MANUFACTURER'S CONVENIENCE




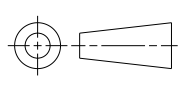
SECTION X-X
SCALE 6:1

THIS DRAWING IS A CONTROLLED DOCUMENT.		DWN SANDERS, YAN 25MAR2021	TE Connectivity	
DIMENSIONS: mm		CHK MIKE, CHEN 25MAY2021		
TOLERANCES UNLESS OTHERWISE SPECIFIED:		APVD HOPE, LU 25MAR2021	NAME PCI EXPRESS CARD EDGE CONNECTOR GEN5, 2.76 SOLDER TAB	
0 PLC \pm		PRODUCT SPEC 108-160247	SIZE A200779	
1 PLC ± 0.3		APPLICATION SPEC	DRAWING NO C-2388957	
2 PLC ± 0.20		WEIGHT	RESTRICTED TO	
3 PLC ± 0.050		CUSTOMER DRAWING	SCALE 6:1 SHEET 1 OF 6 REV B	
4 PLC \pm				
ANGLES \pm				
FINISH				

THIS DRAWING IS UNPUBLISHED. RELEASED FOR PUBLICATION 20
 © COPYRIGHT 20 BY - ALL RIGHTS RESERVED.

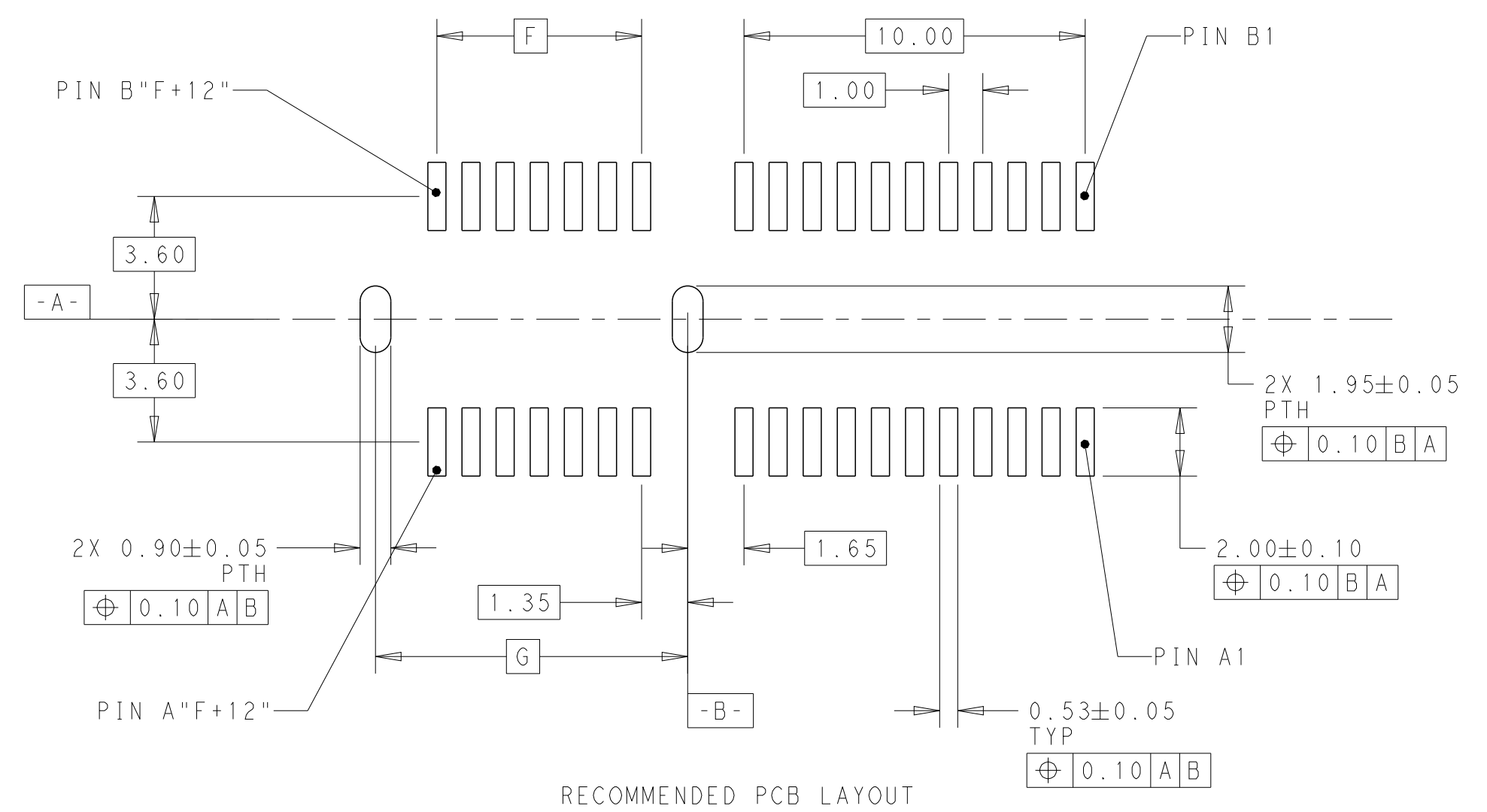
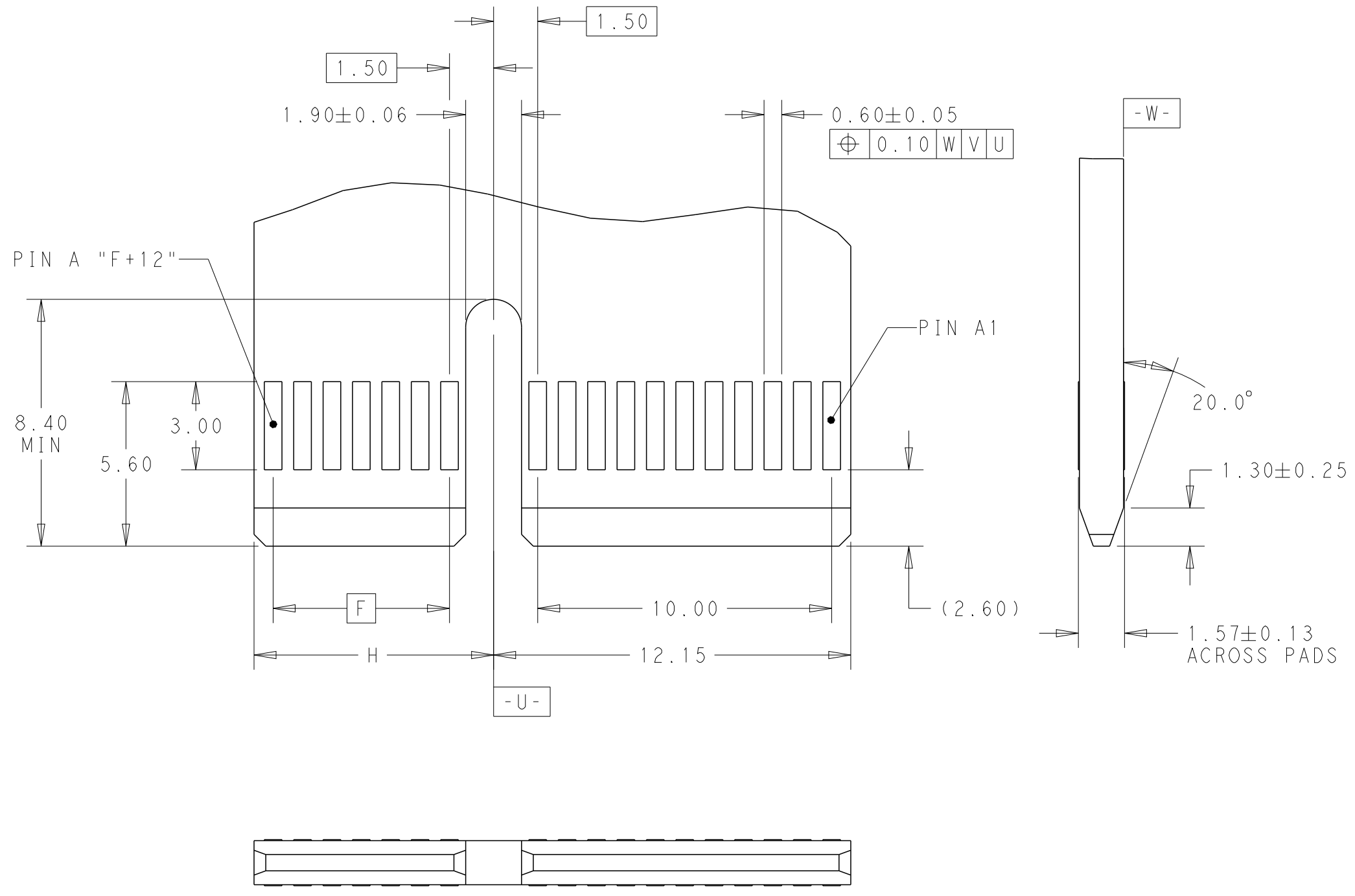
REVISIONS					
P	LTR	DESCRIPTION	DATE	DWN	APVD
-		SEE SHEET 1	-	-	-

SOFT TRAY	328 X 135 X 23.2	30u"	86.5	8	44.5	70	73.15	89	71.65	164	7-2388957-8
HARD TRAY	330 X 235 X 19.3	30u"	86.5	8	44.5	70	73.15	89	71.65	164	5-2388957-8
HARD TRAY	330 X 235 X 19.3	30u"	53.5	8	28	37	40.15	56	38.65	98	5-2388957-7
SOFT TRAY	338 X 235 X 20.3	30u"	36.5	8	19.5	20	23.15	39	21.65	64	5-2388957-6
SOFT TRAY	TBD	30u"	22.5	8	12.5	6	9.15	25	7.65	36	5-2388957-5
HARD TRAY	330 X 235 X 19.3	30u"	10.0	8	44.5	70	73.15	89	71.65	164	5-2388957-4
HARD TRAY	330 X 235 X 19.3	30u"	10.0	8	28	37	40.15	56	38.65	98	5-2388957-3
SOFT TRAY	338 X 235 X 20.3	30u"	10.0	8	19.5	20	23.15	39	21.65	64	5-2388957-2
SOFT TRAY	TBD	30u"	10.0	8	12.5	6	9.15	25	7.65	36	5-2388957-1
HARD TRAY	330 X 235 X 19.3	15u"	86.5	8	44.5	70	73.15	89	71.65	164	4-2388957-8
HARD TRAY	330 X 235 X 19.3	15u"	53.5	8	28	37	40.15	56	38.65	98	4-2388957-7
SOFT TRAY	338 X 235 X 20.3	15u"	36.5	8	19.5	20	23.15	39	21.65	64	4-2388957-6
SOFT TRAY	TBD	15u"	22.5	8	12.5	6	9.15	25	7.65	36	4-2388957-5
HARD TRAY	330 X 235 X 19.3	15u"	10.0	8	44.5	70	73.15	89	71.65	164	4-2388957-4
HARD TRAY	330 X 235 X 19.3	15u"	10.0	8	28	37	40.15	56	38.65	98	4-2388957-3
SOFT TRAY	338 X 235 X 20.3	15u"	10.0	8	19.5	20	23.15	39	21.65	64	4-2388957-2
SOFT TRAY	TBD	15u"	10.0	8	12.5	6	9.15	25	7.65	36	4-2388957-1
HARD TRAY	330 X 235 X 19.3	G/F	86.5	8	44.5	70	73.15	89	71.65	164	3-2388957-8
HARD TRAY	330 X 235 X 19.3	G/F	53.5	8	28	37	40.15	56	38.65	98	3-2388957-7
SOFT TRAY	338 X 235 X 20.3	G/F	36.5	8	19.5	20	23.15	39	21.65	64	3-2388957-6
SOFT TRAY	TBD	G/F	22.5	8	12.5	6	9.15	25	7.65	36	3-2388957-5
HARD TRAY	330 X 235 X 19.3	G/F	10.0	8	44.5	70	73.15	89	71.65	164	3-2388957-4
HARD TRAY	330 X 235 X 19.3	G/F	10.0	8	28	37	40.15	56	38.65	98	3-2388957-3
SOFT TRAY	338 X 235 X 20.3	G/F	10.0	8	19.5	20	23.15	39	21.65	64	3-2388957-2
SOFT TRAY	TBD	G/F	10.0	8	12.5	6	9.15	25	7.65	36	3-2388957-1
HARD TRAY	330 X 235 X 19.3	30u"		NA	44.5	70	73.15	89	71.65	164	2-2388957-4
HARD TRAY	330 X 235 X 19.3	30u"		NA	28	37	40.15	56	38.65	98	2-2388957-3
SOFT TRAY	338 X 235 X 20.3	30u"		NA	19.5	20	23.15	39	21.65	64	2-2388957-2
SOFT TRAY	TBD	30u"		NA	12.5	6	9.15	25	7.65	36	2-2388957-1
HARD TRAY	330 X 235 X 19.3	15u"		NA	44.5	70	73.15	89	71.65	164	1-2388957-4
HARD TRAY	330 X 235 X 19.3	15u"		NA	28	37	40.15	56	38.65	98	1-2388957-3
SOFT TRAY	338 X 235 X 20.3	15u"		NA	19.5	20	23.15	39	21.65	64	1-2388957-2
SOFT TRAY	TBD	15u"		NA	12.5	6	9.15	25	7.65	36	1-2388957-1
HARD TRAY	330 X 235 X 19.3	G/F		NA	44.5	70	73.15	89	71.65	164	2388957-4
HARD TRAY	330 X 235 X 19.3	G/F		NA	28	37	40.15	56	38.65	98	2388957-3
SOFT TRAY	338 X 235 X 20.3	G/F		NA	19.5	20	23.15	39	21.65	64	2388957-2
SOFT TRAY	TBD	G/F		NA	12.5	6	9.15	25	7.65	36	2388957-1
TYPE	L * W * H (TRAY)	PRECIOUS PLATING THICKNESS (TOTAL)	W	V	J	N	C	B	A	POS.	PART NUMBER
	PACKAGE		MYLAR SIZE (PAGE 4)								

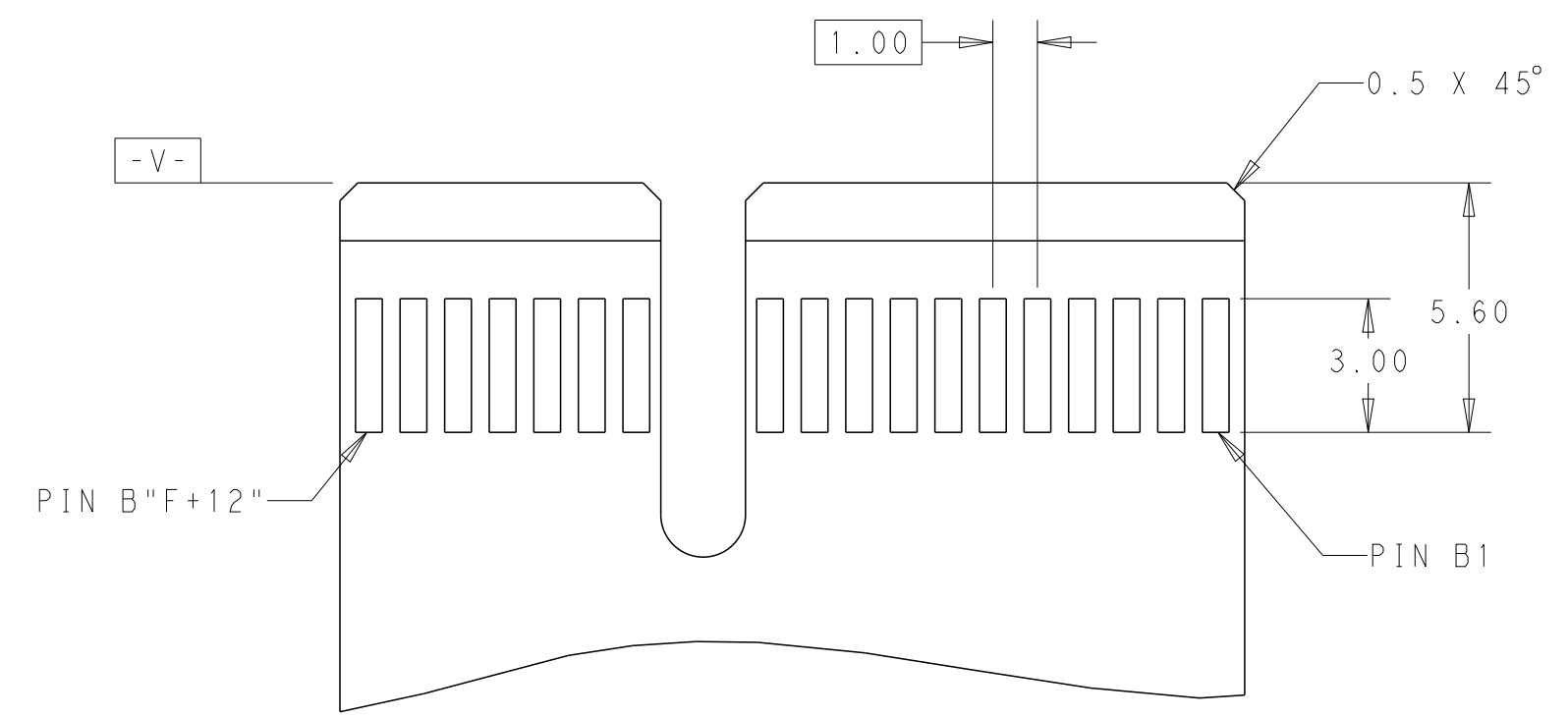
THIS DRAWING IS A CONTROLLED DOCUMENT.		DWN SANDERS YAN 25MAR2021	 TE Connectivity	
DIMENSIONS: mm		CHK MIKE CHEN 25MAY2021		
		APVD HOPE LU 25MAR2021	NAME PCI EXPRESS CARD EDGE CONNECTOR GEN5, 2.76 SOLDER TAB	
TOLERANCES UNLESS OTHERWISE SPECIFIED:		PRODUCT SPEC 108-160247	RESTRICTED TO	
0 PLC ±		APPLICATION SPEC -	SIZE A2	CAGE CODE 00779
1 PLC ±0.3		WEIGHT -	DRAWING NO C-2388957	SCALE 6:1
2 PLC ±0.20		CUSTOMER DRAWING	SHEET 2 OF 6	REV B
3 PLC ±0.050				
4 PLC ±				
ANGLES ±				
FINISH -				

THIS DRAWING IS UNPUBLISHED. RELEASED FOR PUBLICATION 20
 © COPYRIGHT 20 BY - ALL RIGHTS RESERVED.

REVISIONS				
P	LTR	DESCRIPTION	DATE	APVD
-	-	SEE SHEET 1	-	-



RECOMMENDED PCB LAYOUT



ADD-IN CARD EDGE-FINGER DIMENSION
 DEFAULT TOLERANCE ±0.13

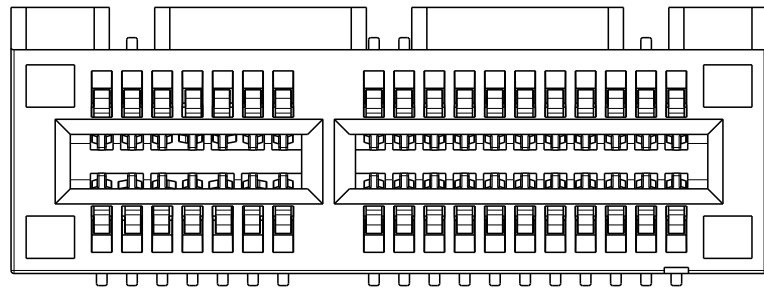
164	70	73.15	72.15
98	37	40.15	39.15
64	20	23.15	22.15
36	6	9.15	8.15
POS.	DIM. F	DIM. G	DIM. H

THIS DRAWING IS A CONTROLLED DOCUMENT.		DWN SANDERS YAN 25MAR2021	STE TE Connectivity	
		CHK MIKE CHEN 25MAY2021		
DIMENSIONS: mm		APVD HOPE LU 25MAR2021	NAME PCI EXPRESS CARD EDGE CONNECTOR GEN5, 2.76 SOLDER TAB	
TOLERANCES UNLESS OTHERWISE SPECIFIED:		PRODUCT SPEC 108-160247	RESTRICTED TO -	
0 PLC ±		APPLICATION SPEC -	SIZE A2	CAGE CODE 00779
1 PLC ±0.3		WEIGHT -	DRAWING NO C-2388957	SCALE 6:1
2 PLC ±0.20		CUSTOMER DRAWING	SHEET 3 OF 6	REV B
3 PLC ±0.050				
4 PLC ±				
ANGLES ±				
FINISH -				

THIS DRAWING IS UNPUBLISHED. RELEASED FOR PUBLICATION 20
 © COPYRIGHT 20 BY - ALL RIGHTS RESERVED.

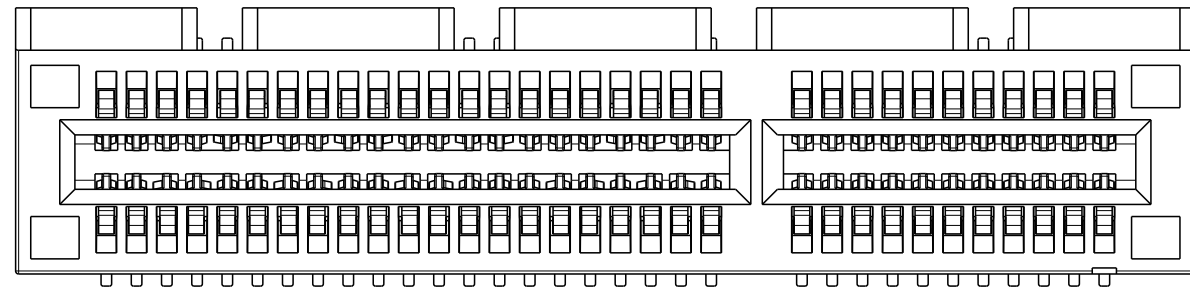
REVISIONS					
P	LTR	DESCRIPTION	DATE	DWN	APVD
-	-	SEE SHEET 1	-	-	-

FRONT VIEW



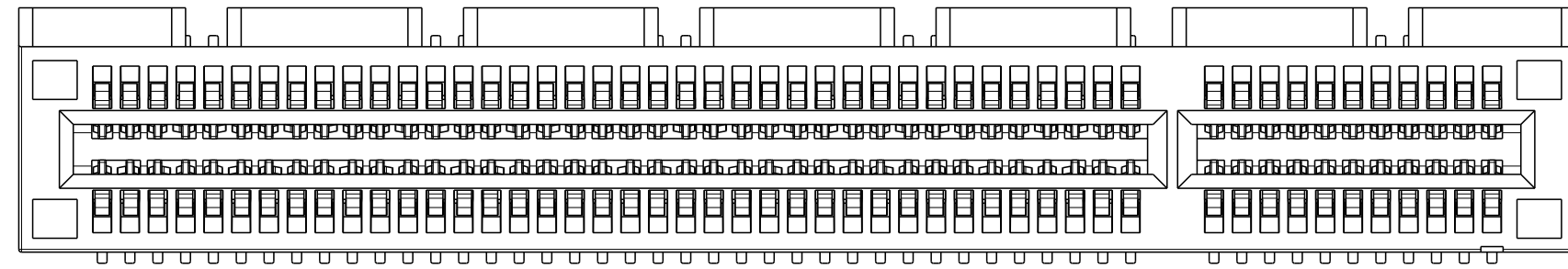
36POS AS SHOWN
SCALE 4:1

FRONT VIEW



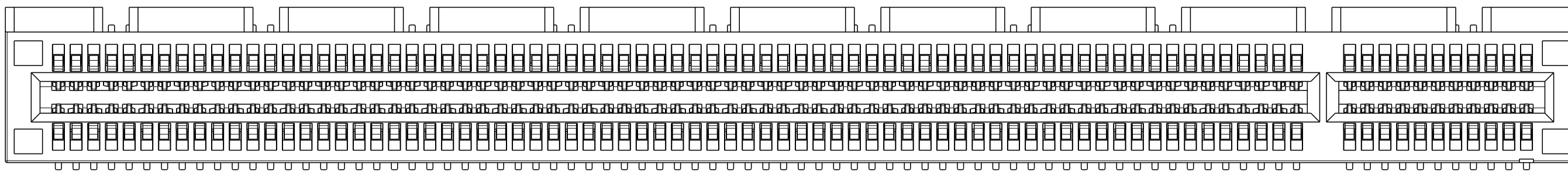
64POS AS SHOWN
SCALE 4:1

FRONT VIEW

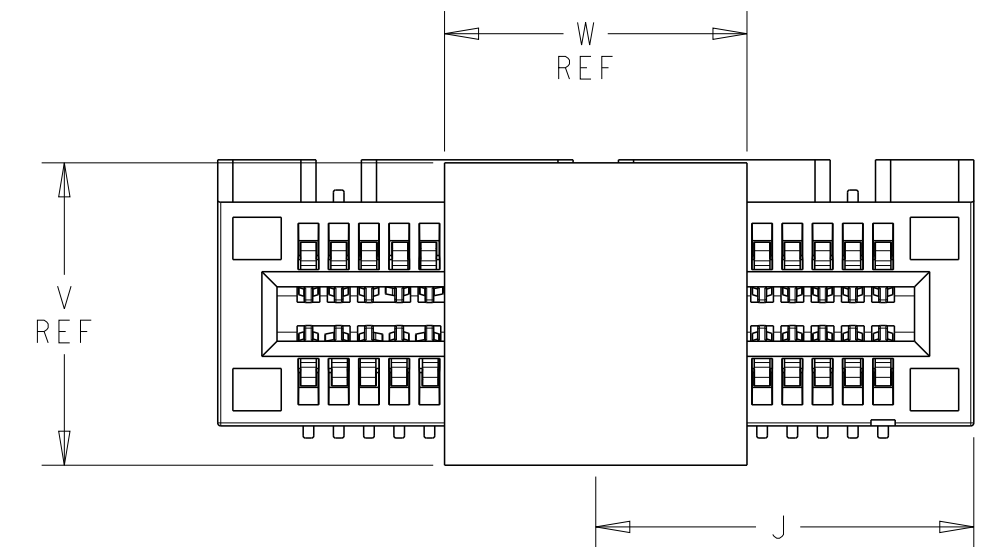


98POS AS SHOWN
SCALE 4:1


FRONT VIEW



164POS AS SHOWN
SCALE 4:1

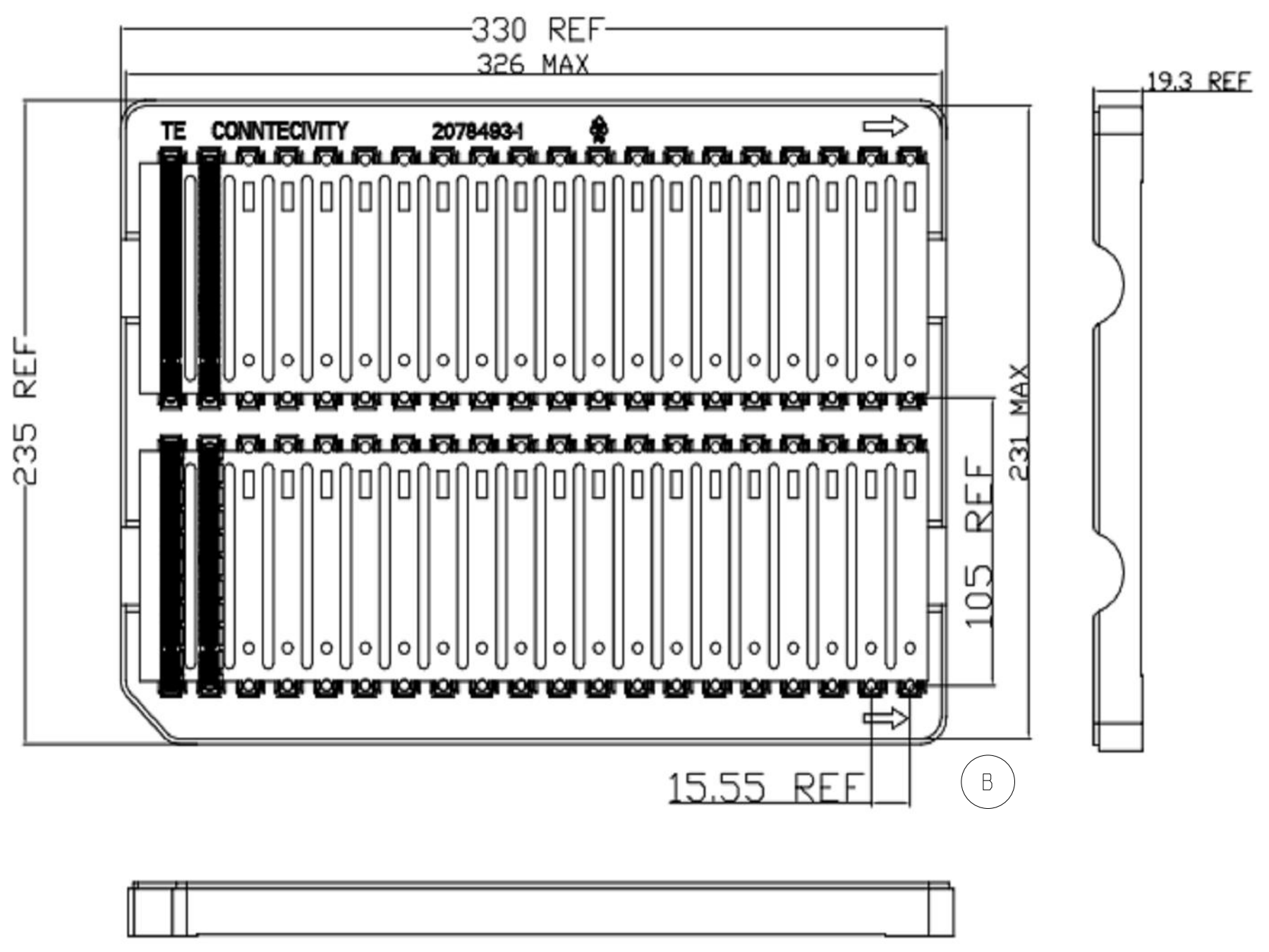


MYLAR SIZE
SCALE 4:1

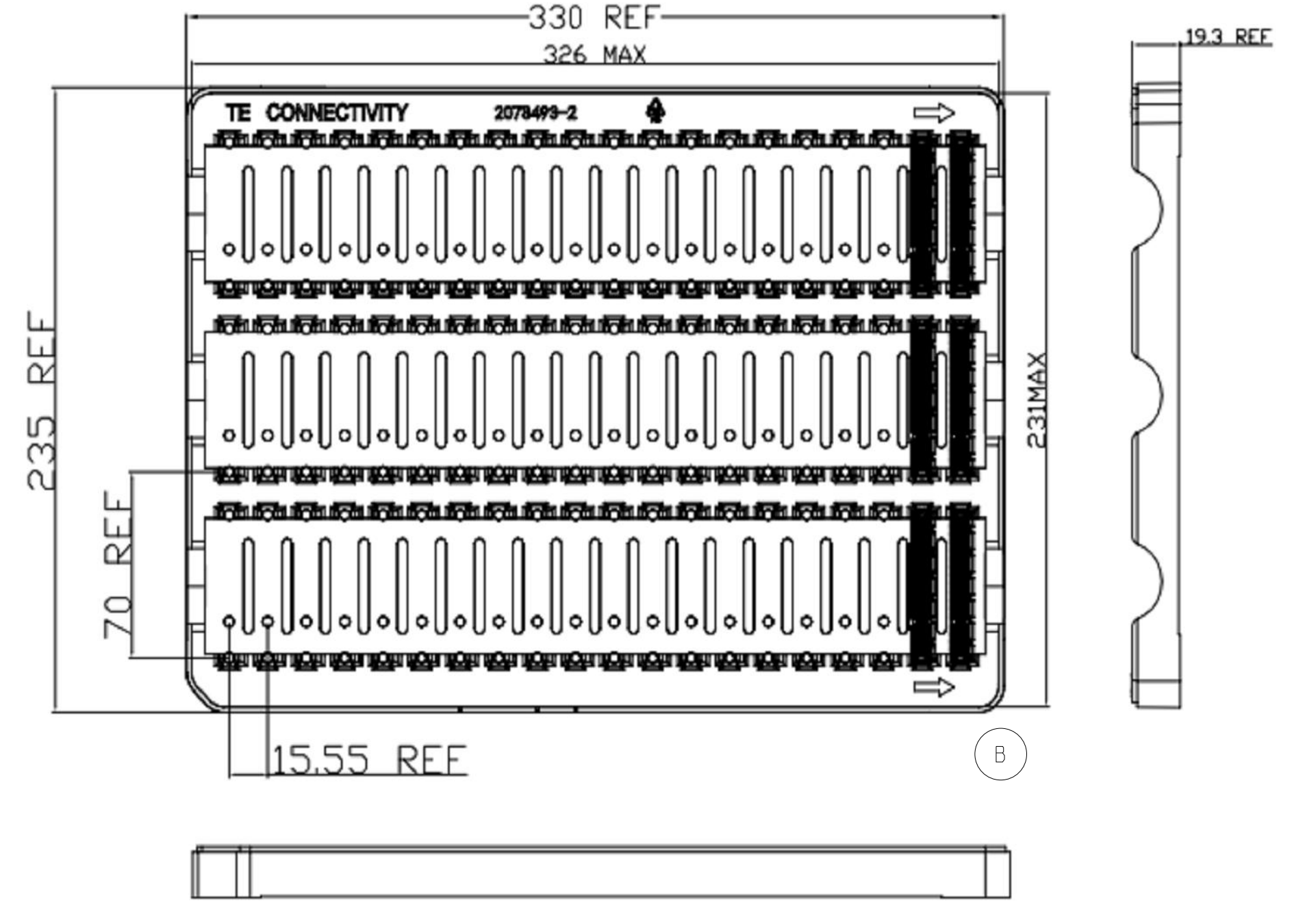
THIS DRAWING IS A CONTROLLED DOCUMENT.		DWN 25MAR2021 SANDERS, YAN	 TE Connectivity																						
DIMENSIONS: mm		CHK 25MAY2021 MIKE, CHEN																							
TOLERANCES UNLESS OTHERWISE SPECIFIED:		APVD 25MAR2021 HOPE, LU	NAME PCI EXPRESS CARD EDGE CONNECTOR GEN5, 2.76 SOLDER TAB																						
<table border="0"> <tr> <td>0 PLC</td> <td>±</td> <td></td> </tr> <tr> <td>1 PLC</td> <td>±0.3</td> <td></td> </tr> <tr> <td>2 PLC</td> <td>±0.20</td> <td></td> </tr> <tr> <td>3 PLC</td> <td>±0.050</td> <td></td> </tr> <tr> <td>4 PLC</td> <td>±</td> <td></td> </tr> <tr> <td>ANGLES</td> <td>±</td> <td></td> </tr> <tr> <td>FINISH</td> <td></td> <td></td> </tr> </table>		0 PLC	±		1 PLC	±0.3		2 PLC	±0.20		3 PLC	±0.050		4 PLC	±		ANGLES	±		FINISH			PRODUCT SPEC 108-160247	SIZE A200779	
0 PLC	±																								
1 PLC	±0.3																								
2 PLC	±0.20																								
3 PLC	±0.050																								
4 PLC	±																								
ANGLES	±																								
FINISH																									
MATERIAL		APPLICATION SPEC	DRAWING NO C-2388957																						
		WEIGHT	RESTRICTED TO																						
		CUSTOMER DRAWING	SCALE 6:1 SHEET 4 OF 6 REV B																						

THIS DRAWING IS UNPUBLISHED. RELEASED FOR PUBLICATION 20
 © COPYRIGHT 20 BY - ALL RIGHTS RESERVED.


REVISIONS				
P	LTR	DESCRIPTION	DATE	APVD
-	-	SEE SHEET 1	-	-



HARD TRAY: FOR 164POS
SCALE 1:2

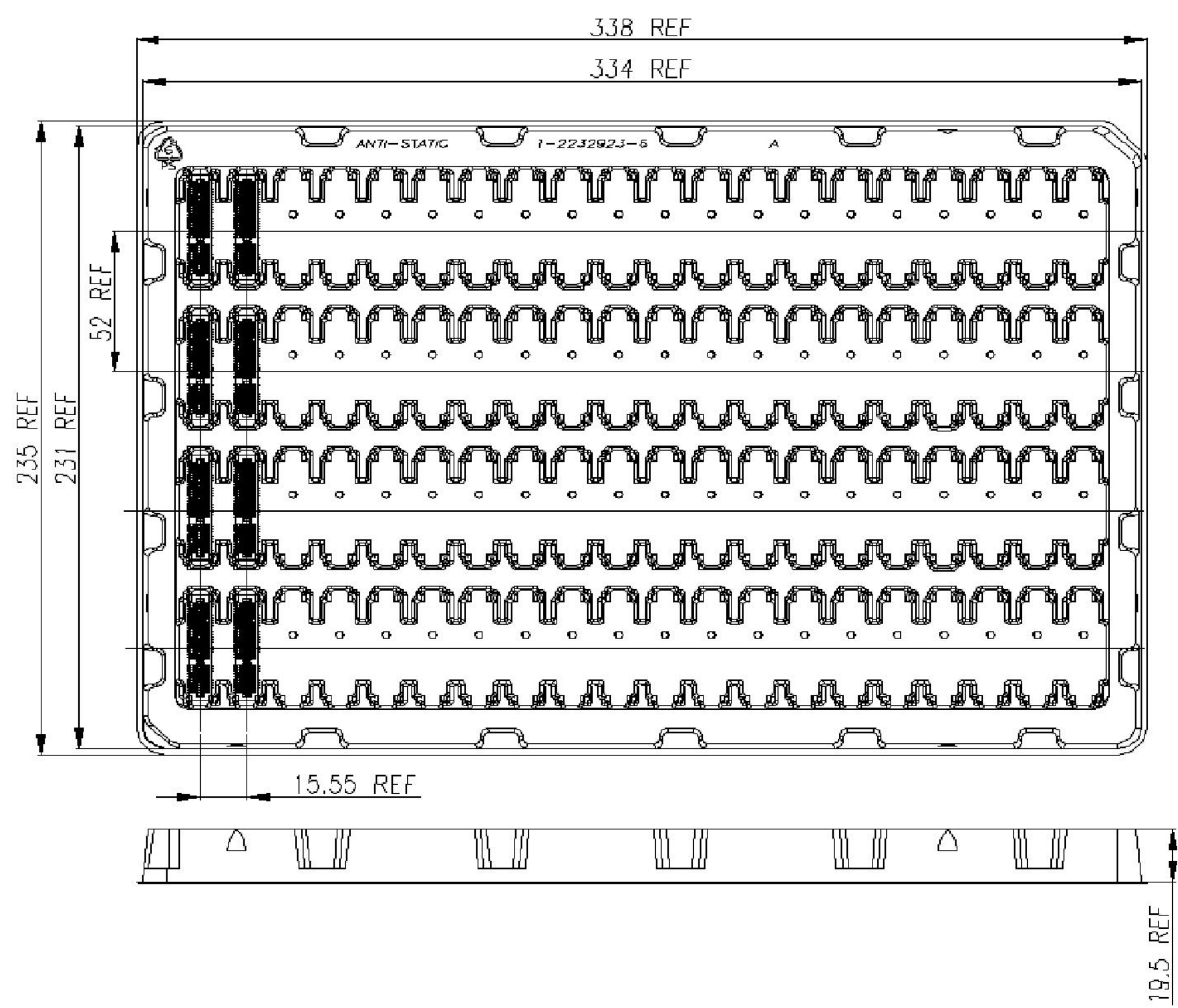


HARD TRAY: FOR 98POS
SCALE 1:2

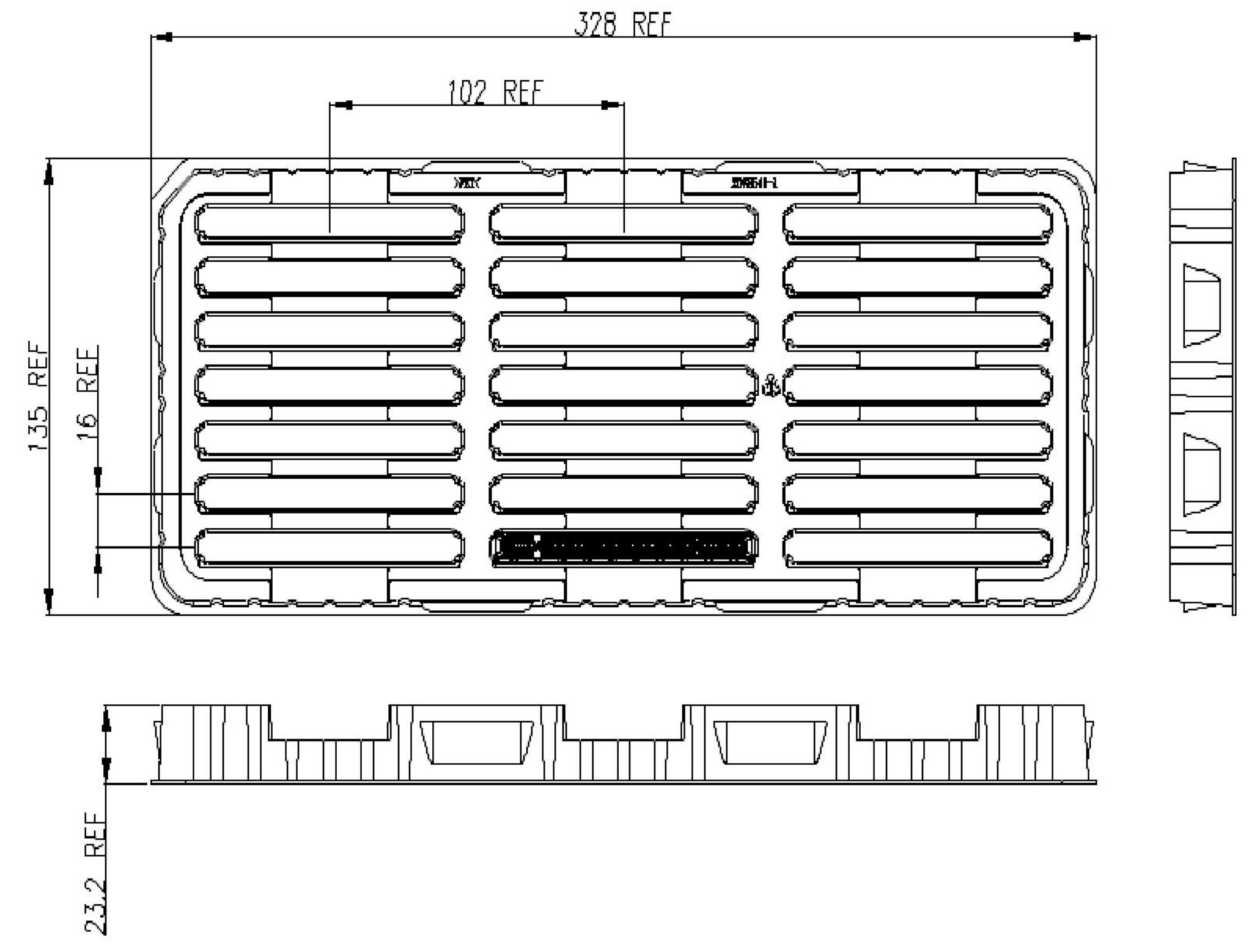
THIS DRAWING IS A CONTROLLED DOCUMENT.		DWN 25MAR2021 SANDERS, YAN	 TE Connectivity	
DIMENSIONS: mm		CHK 25MAY2021 MIKE, CHEN		
TOLERANCES UNLESS OTHERWISE SPECIFIED:		APVD 25MAR2021 HOPE, LU	NAME PCI EXPRESS CARD EDGE CONNECTOR GEN5, 2.76 SOLDER TAB	
0 PLC ± 1 PLC ±0.3 2 PLC ±0.20 3 PLC ±0.050 4 PLC ± ANGLES ± FINISH ±		PRODUCT SPEC 108-160247	SIZE A200779	DRAWING NO C-2388957
MATERIAL		WEIGHT	RESTRICTED TO	
		CUSTOMER DRAWING	SCALE 6:1	SHEET 5 OF 6 REV B

THIS DRAWING IS UNPUBLISHED. RELEASED FOR PUBLICATION 20
 © COPYRIGHT 20 BY - ALL RIGHTS RESERVED.

REVISIONS					
P	LTR	DESCRIPTION	DATE	DWN	APVD
-	-	SEE SHEET 1	-	-	-



SOFT TRAY: FOR 64POS
 SCALE 1:2



SOFT TRAY: FOR 7-2388957-8 (164POS)
 SCALE 1:2

THIS DRAWING IS A CONTROLLED DOCUMENT.		DWN SANDERS YAN 25MAR2021	STE TE Connectivity	
		CHK MIKE CHEN 25MAY2021		
DIMENSIONS: mm		APVD HOPE LU 25MAR2021	NAME PCI EXPRESS CARD EDGE CONNECTOR GEN5, 2.76 SOLDER TAB	
TOLERANCES UNLESS OTHERWISE SPECIFIED:		PRODUCT SPEC 108-160247	SIZE CAGE CODE DRAWING NO RESTRICTED TO	
0 PLC ±		APPLICATION SPEC -	A200779 C-2388957	
1 PLC ±0.3		WEIGHT -	SCALE 6:1 SHEET 6 OF 6 REV B	
2 PLC ±0.20		CUSTOMER DRAWING		
3 PLC ±0.050				
4 PLC ±				
ANGLES ±				
FINISH -				