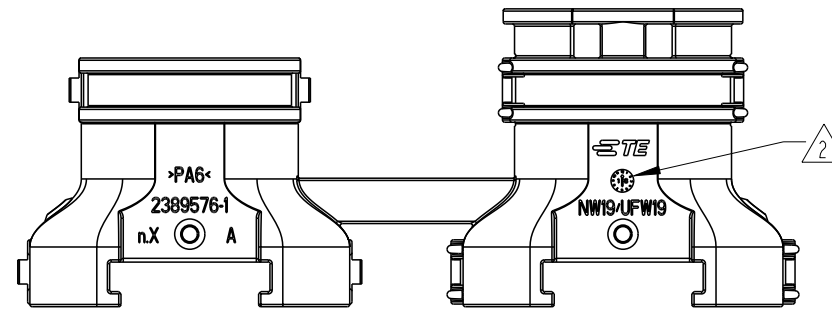
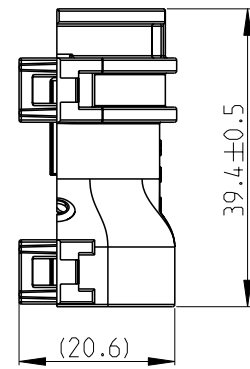
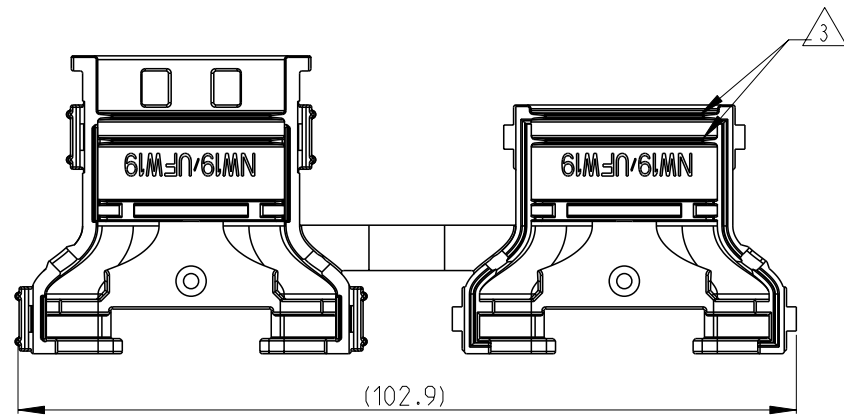
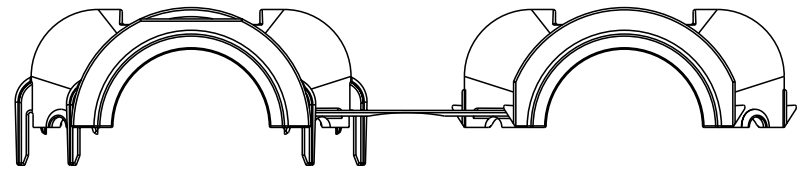


REVISIONS

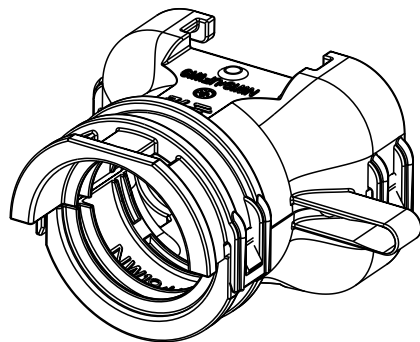
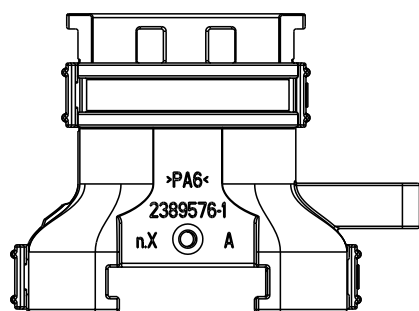
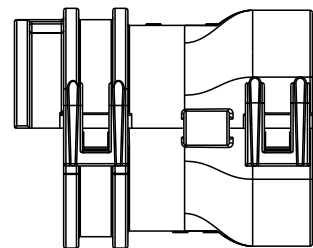
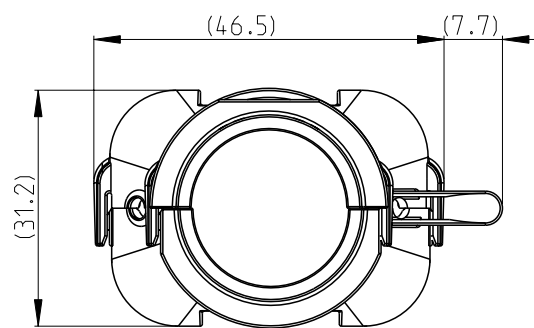
P	LTR	DESCRIPTION	DATE	DWN	APVD
	A	INITIAL RELEASE	26MAY2021	V.T	Z.Z

NOTES:

1. MATERIAL: PA6 COLOUR:BLACK.
2. DATE CODE.
3. FOR CORRUGATED TUBE: NW 19&UFW 19.
4. USED ON PLUG P/N: *-2389578-*



CLOSED (MOUNTED) CONDITION AS SHOWN



2389576-1
PART NO.

THIS DRAWING IS A CONTROLLED DOCUMENT.		DWN V. TANG	25MAY2021	 TE Connectivity NAME 180 DEGREE BACKSHELL SUPERSEAL 34P		RESTRICTED TO															
DIMENSIONS: mm		CHK C. WAN	26MAY2021			SIZE	CAGE CODE	DRAWING NO	-												
TOLERANCES UNLESS OTHERWISE SPECIFIED:		APVD Z. ZHOU	26MAY2021			A3	00779	C-2389576													
<table border="0"> <tr><td>0 PLC</td><td>±0.30</td></tr> <tr><td>1 PLC</td><td>±0.25</td></tr> <tr><td>2 PLC</td><td>±0.15</td></tr> <tr><td>3 PLC</td><td>±</td></tr> <tr><td>4 PLC</td><td>±</td></tr> <tr><td>ANGLES</td><td>±2°</td></tr> <tr><td>FINISH</td><td>-</td></tr> </table>		0 PLC	±0.30			1 PLC	±0.25	2 PLC	±0.15	3 PLC	±	4 PLC	±	ANGLES	±2°	FINISH	-	PRODUCT SPEC 108-160260	APPLICATION SPEC -	WEIGHT -	SCALE 1:1
0 PLC	±0.30																				
1 PLC	±0.25																				
2 PLC	±0.15																				
3 PLC	±																				
4 PLC	±																				
ANGLES	±2°																				
FINISH	-																				
MATERIAL SEE NOTES		CUSTOMER DRAWING																			