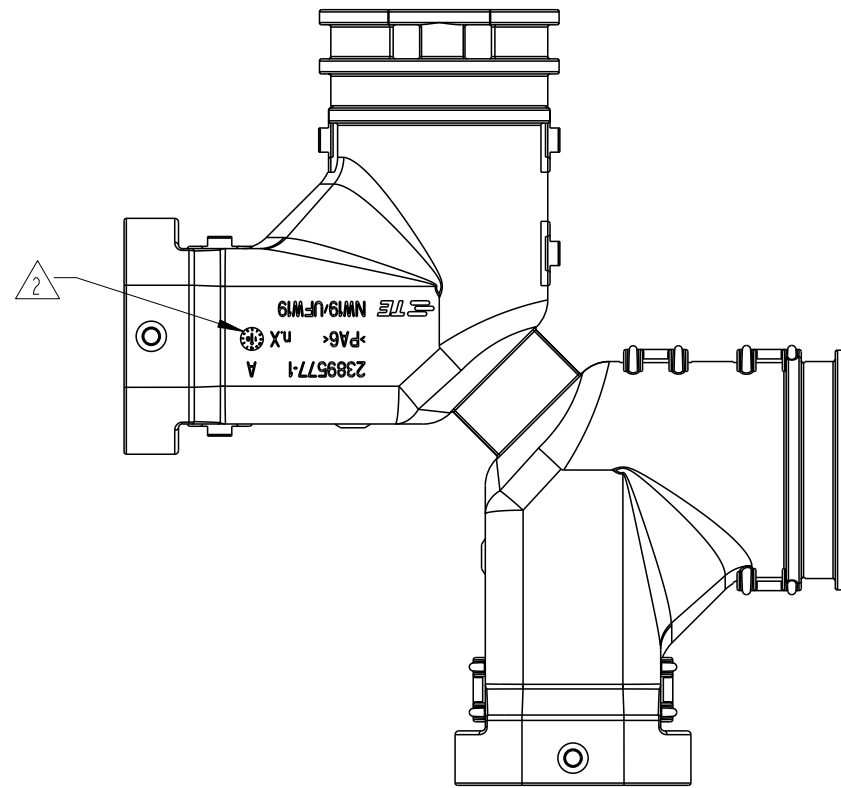
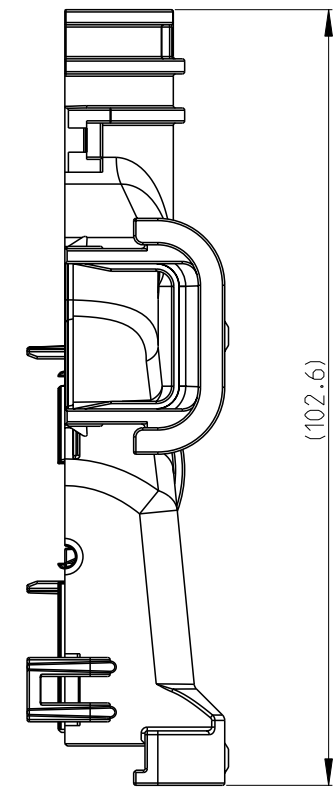
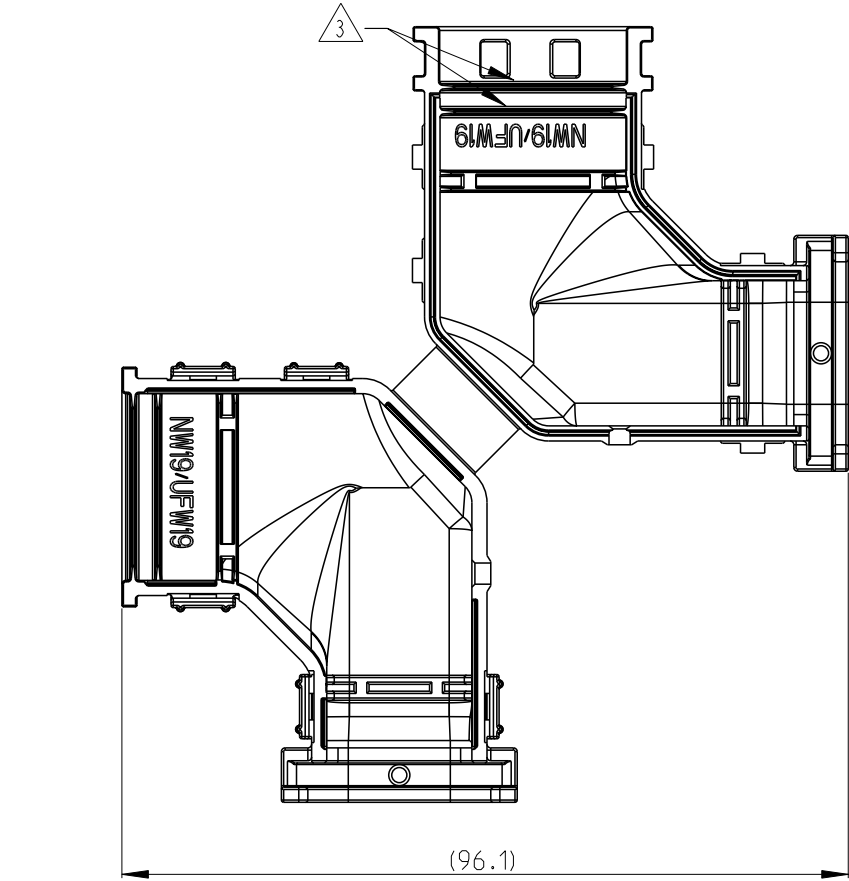
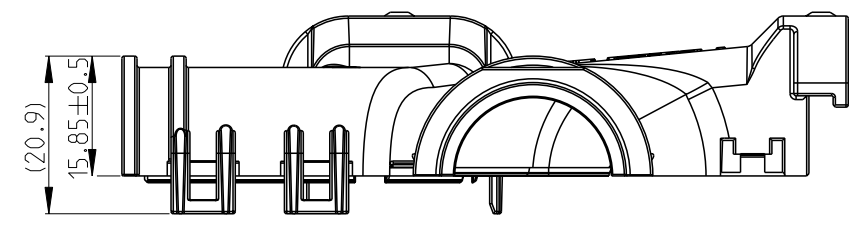


REVISIONS

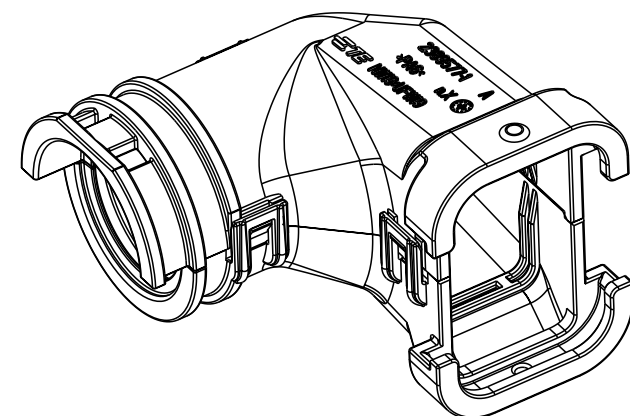
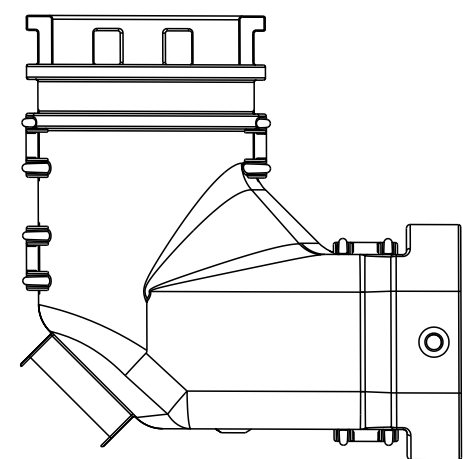
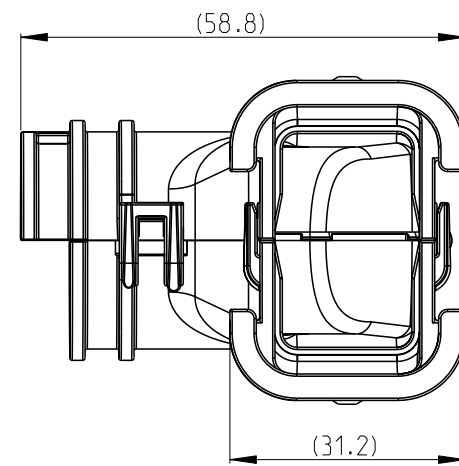
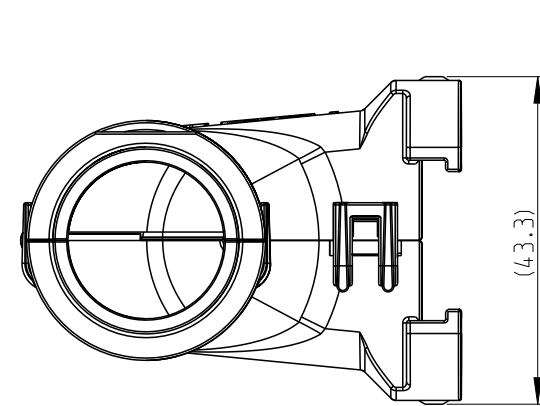
P	LTR	DESCRIPTION	DATE	DWN	APVD
A		INITIAL RELEASE	26MAY2021	V.T	Z.Z



NOTES:

1. MATERIAL: PA6 COLOUR:BLACK.
2. DATE CODE.
3. FOR CORRUGATED TUBE: NW 19&UFW 19.
4. USED ON PLUG P/N: *-2389578-*

CLOSED (MOUNTED) CONDITION AS SHOWN



2389577-1
PART NO.

THIS DRAWING IS A CONTROLLED DOCUMENT.		DWN V.TANG 25MAY2021		
DIMENSIONS: mm		CHK C.WAN 26MAY2021		
TOLERANCES UNLESS OTHERWISE SPECIFIED:		APVD Z.ZHOU 26MAY2021	NAME 90 DEGREE BACKSHELL SUPERSEAL 34P	
		PRODUCT SPEC 108-160260	RESTRICTED TO	
MATERIAL SEE NOTES		APPLICATION SPEC -	SIZE A200779	CAGE CODE C-2389577
		WEIGHT -	DRAWING NO C-2389577	REV A
		CUSTOMER DRAWING	SCALE 1:1	SHEET 1 OF 1