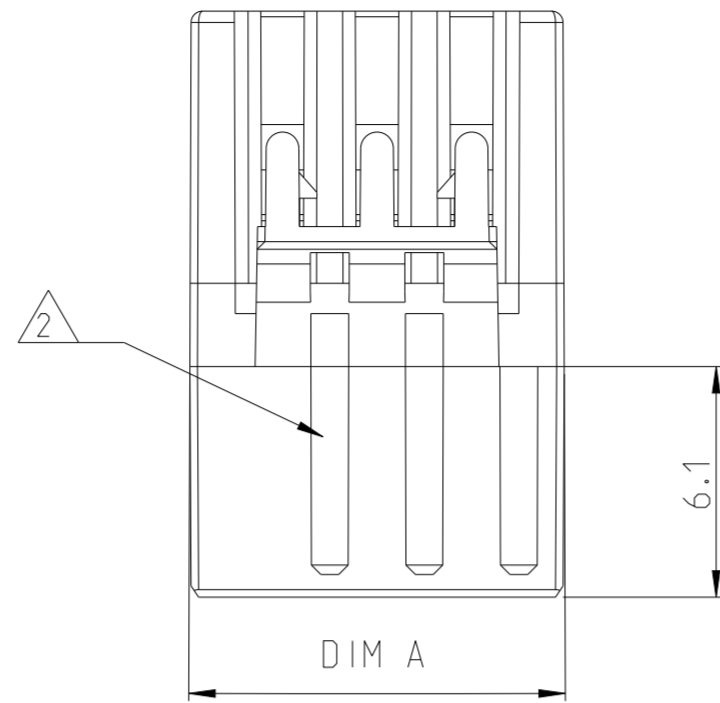
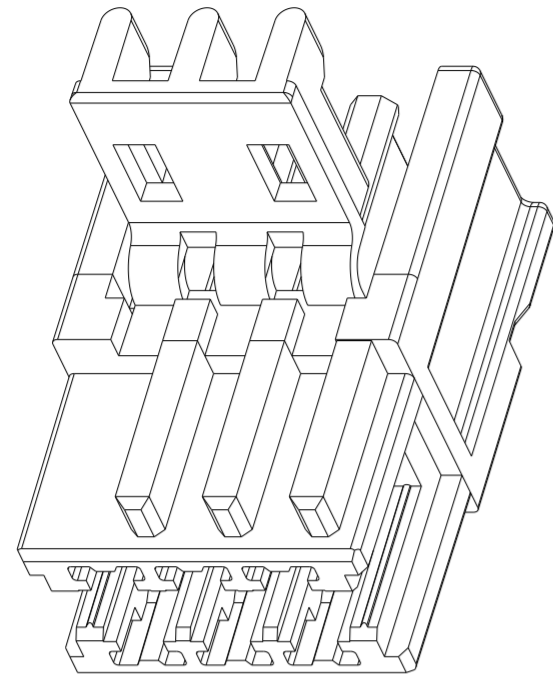
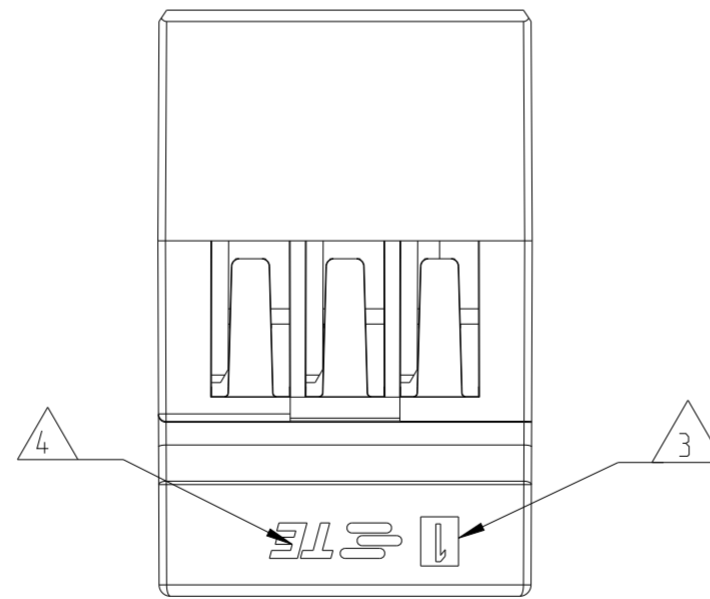
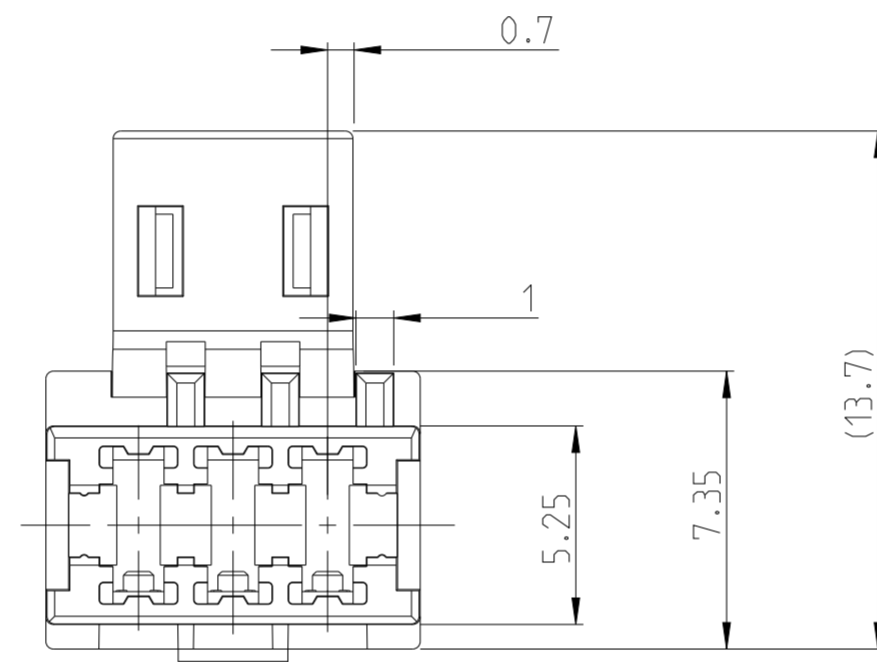
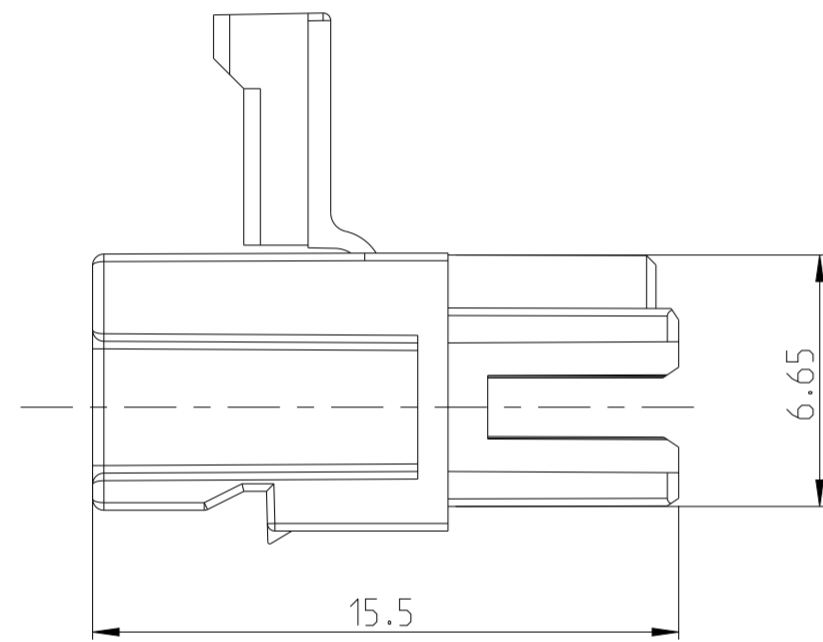


REVISIONS					
P	LTR	DESCRIPTION	DATE	DWN	APVD
4		UPDATED DESIGN	09FEB2022	SM	W W
5		ADDED NEW PART NUMBERS	05SEP2022	SM	W W
6		ADDED P/N 2-2391423-5	29SEP2022	SM	W W
A		ECN-22-187765	02DEC2022	SM	FL



- 1 MATERIAL: PA UL94-V0 GWT750°C NF
- 2 KEYING RIB
- 3 CONTACT CAVITY NO.
- 4 AREA FOR TE LOGO
- 5 PRELIMINARY PART - THIS PRODUCT HAS NOT COMPLETED QUALIFICATION TESTING.
- 6 DESIGNATED FOR USE WITH CONTACT P/N 2391430-1



COLOUR	DIM A	POS.	PART NO.
NATURAL	24.9	9	2391423-9
NATURAL	19.9	7	2391423-7
NATURAL	14.9	5	2-2391423-5
BLACK	14.9	5	1-2391423-5
NATURAL	14.9	5	2391423-5
NATURAL	12.4	4	1-2391423-4
NATURAL	12.4	4	2391423-4
BLACK	9.9	3	1-2391423-3
NATURAL	9.9	3	2391423-3

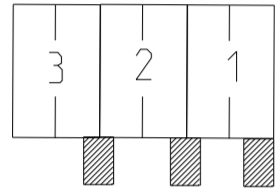
THIS DRAWING IS A CONTROLLED DOCUMENT.

DIMENSIONS: mm	TOLERANCES UNLESS OTHERWISE SPECIFIED: 0 PLC ±0.2 1 PLC ±0.2 2 PLC ±0.2 3 PLC ± 4 PLC ± ANGLES ± FINISH -	DWN 31-08-2021 SUBHASH M CHK 01-09-2021 WINTER WANG APVD 01-09-2021 F LUPO	TE Connectivity		
MATERIAL 1		PRODUCT SPEC 108-160359 APPLICATION SPEC 114-160192 WEIGHT -	NAME HSG, RAST 2.5 STD TIMER		
		CUSTOMER DRAWING	SIZE A2	CAGE CODE 00779	DRAWING NO C-2391423
			SCALE 5:1	SHEET 1 OF 2	RESTRICTED TO - REV A

P	LTR	DESCRIPTION	DATE	DWN	APVD
		SEE SHEET 1			

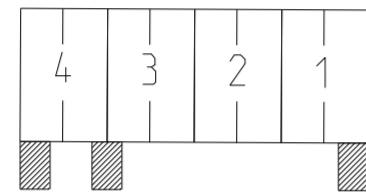
KEYING PLAN

3 POS



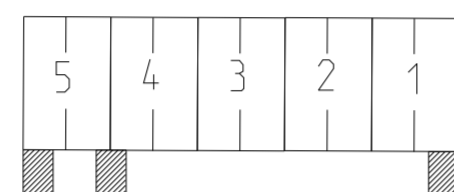
2391423-3

4 POS



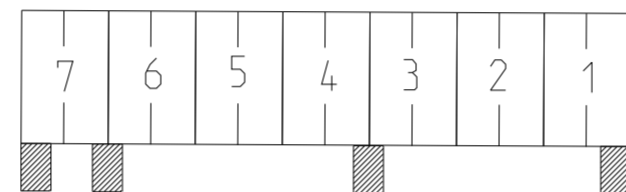
2391423-4

5 POS



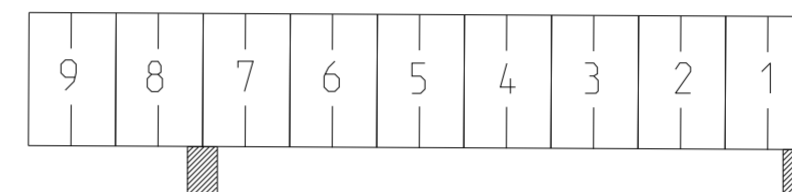
2391423-5

7 POS

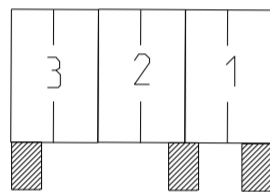


2391423-7

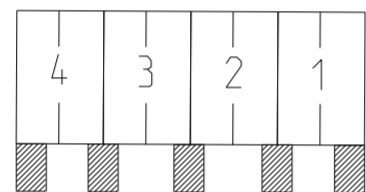
9 POS



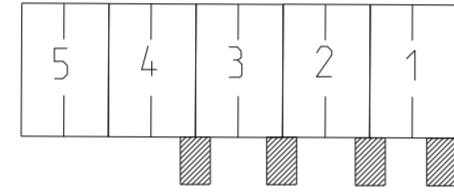
2391423-9



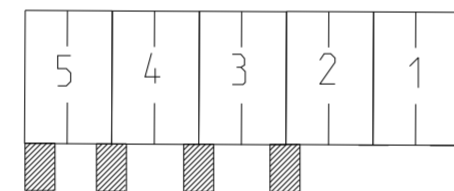
1-2391423-3




1-2391423-4



1-2391423-5



2-2391423-5

THIS DRAWING IS A CONTROLLED DOCUMENT.		DWN SUBHASH M 31-08-2021	 TE Connectivity	
DIMENSIONS: mm		CHK WINTER WANG 01-09-2021		
TOLERANCES UNLESS OTHERWISE SPECIFIED:		APVD F. LUPO 01-09-2021	NAME HSG, RAST 2.5 STD TIMER	
0 PLC ±0.2 1 PLC ±0.2 2 PLC ±0.2 3 PLC ± 4 PLC ± ANGLES ± FINISH -		PRODUCT SPEC 108-160359	RESTRICTED TO -	
MATERIAL -1		APPLICATION SPEC 114-160192	SIZE A2	CAGE CODE 00779
		WEIGHT -	DRAWING NO C-2391423	SCALE 5:1
		CUSTOMER DRAWING	SHEET 2 OF 2	REV A