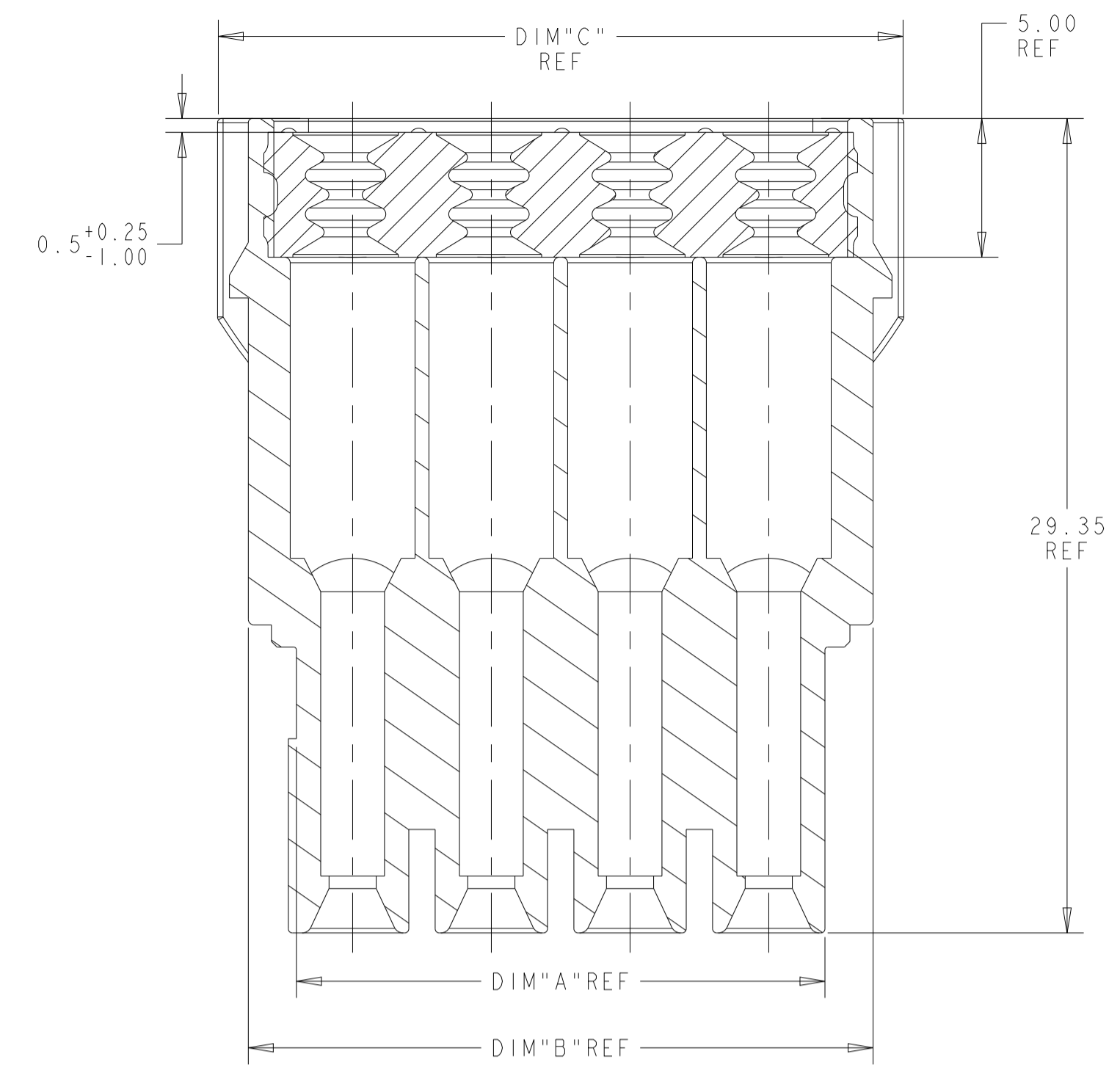
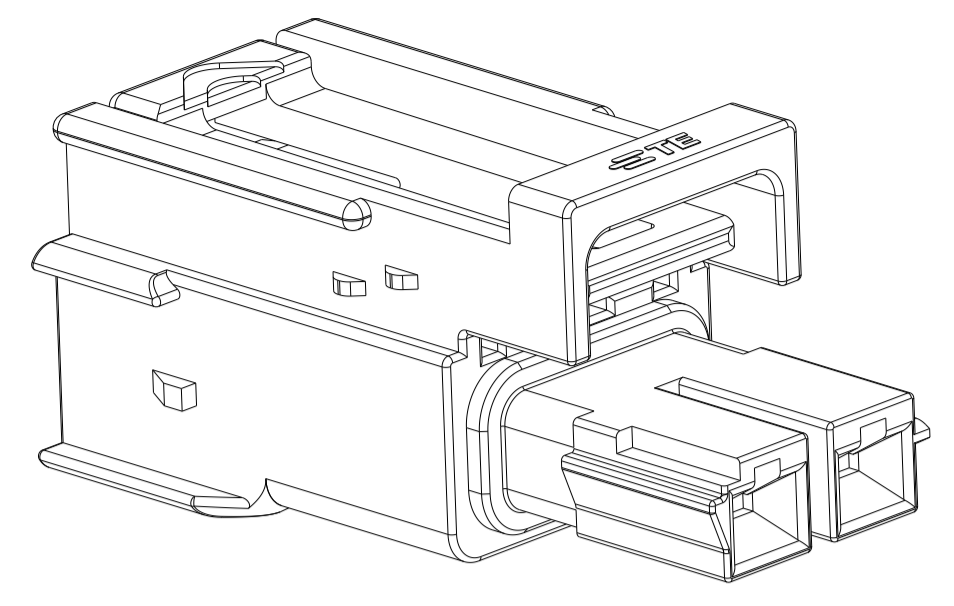


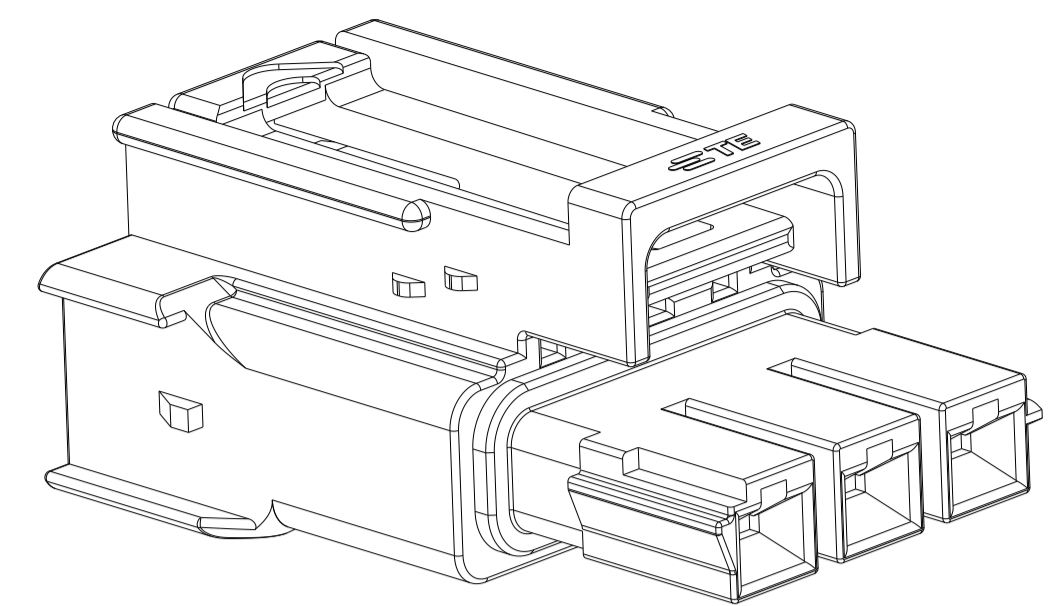
REVISIONS				
P	LTN	DESCRIPTION	DATE	APVD
1		PRELIMINARY RELEASE	30JUL2021	SS VS



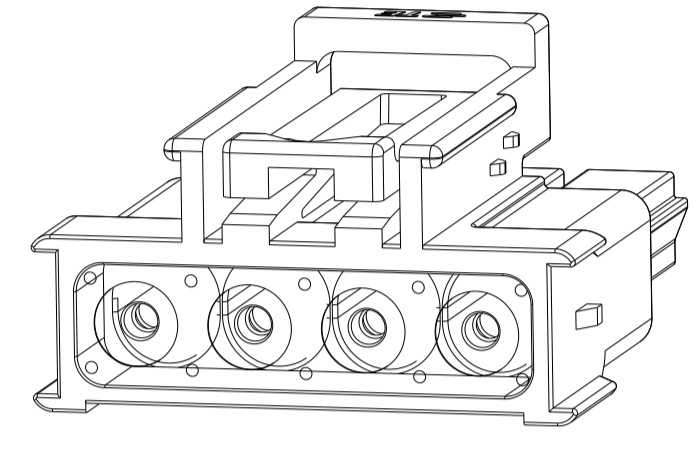
SECTION A-A



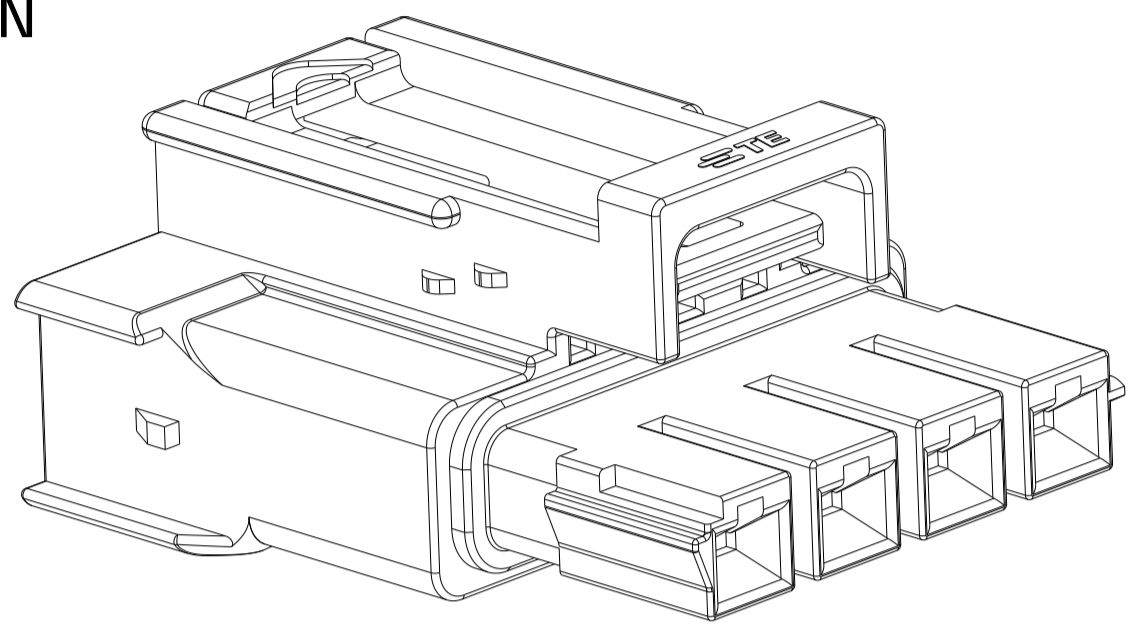
1x2 POSITION



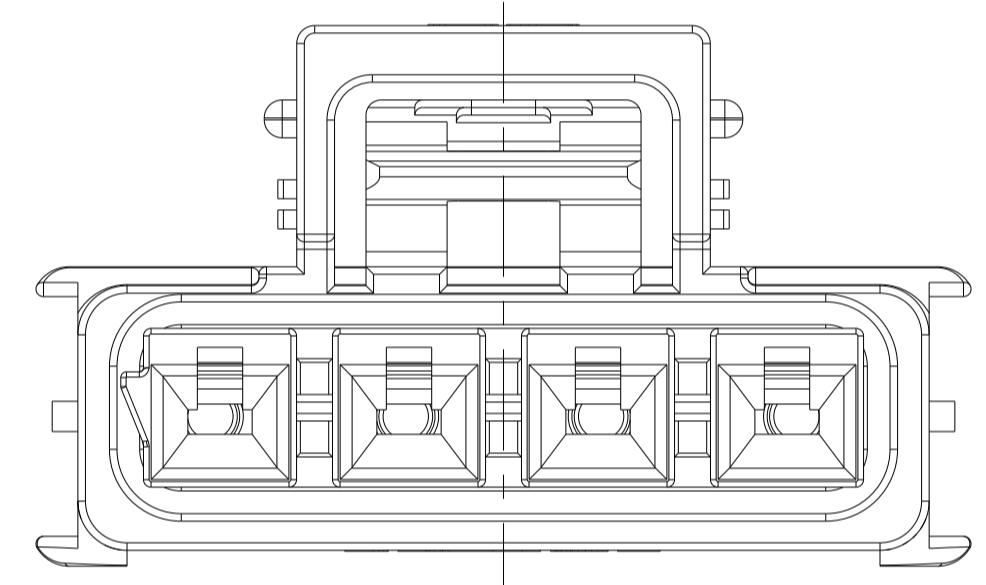
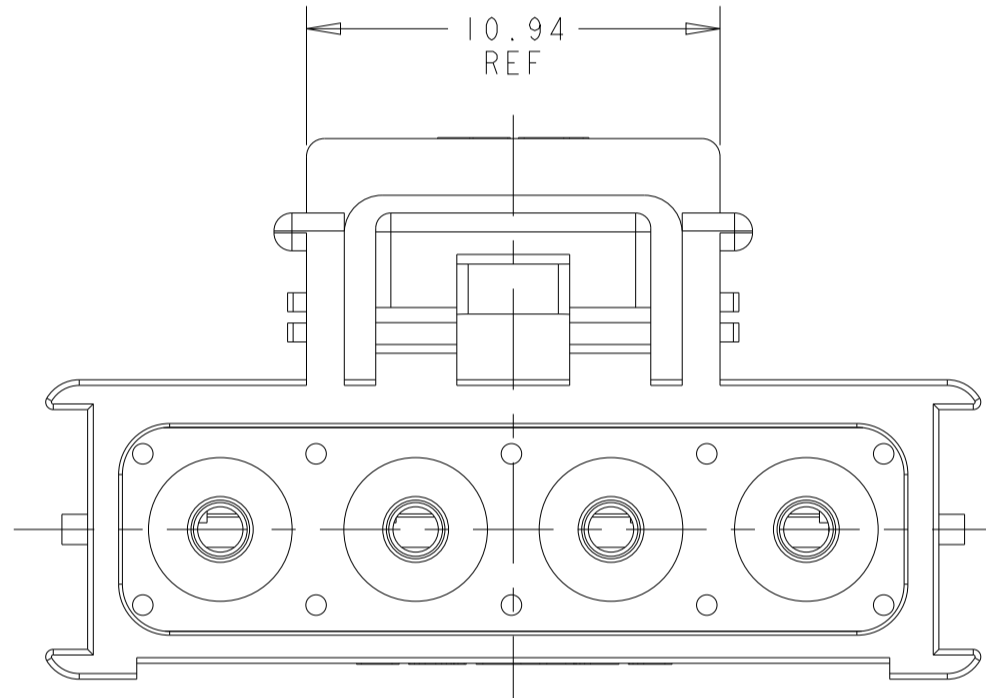
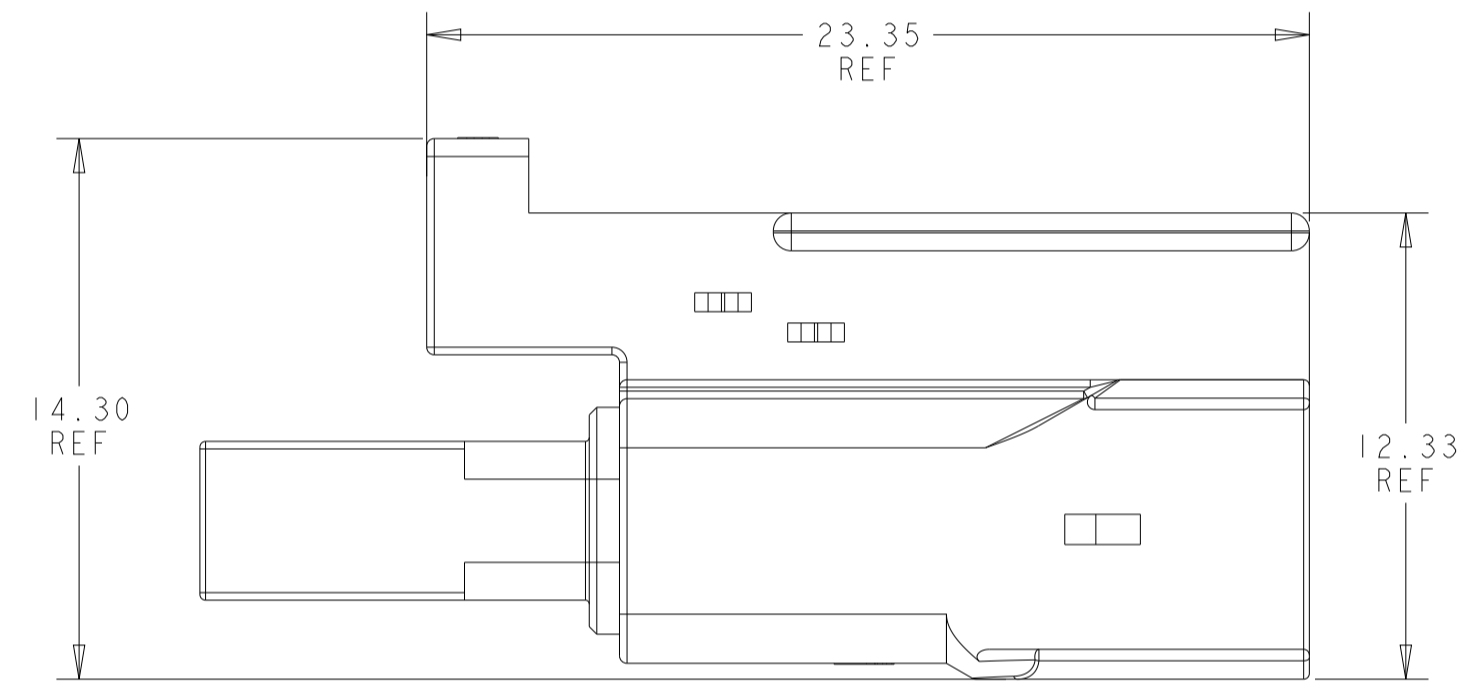
1x3 POSITION



SCALE 3:1



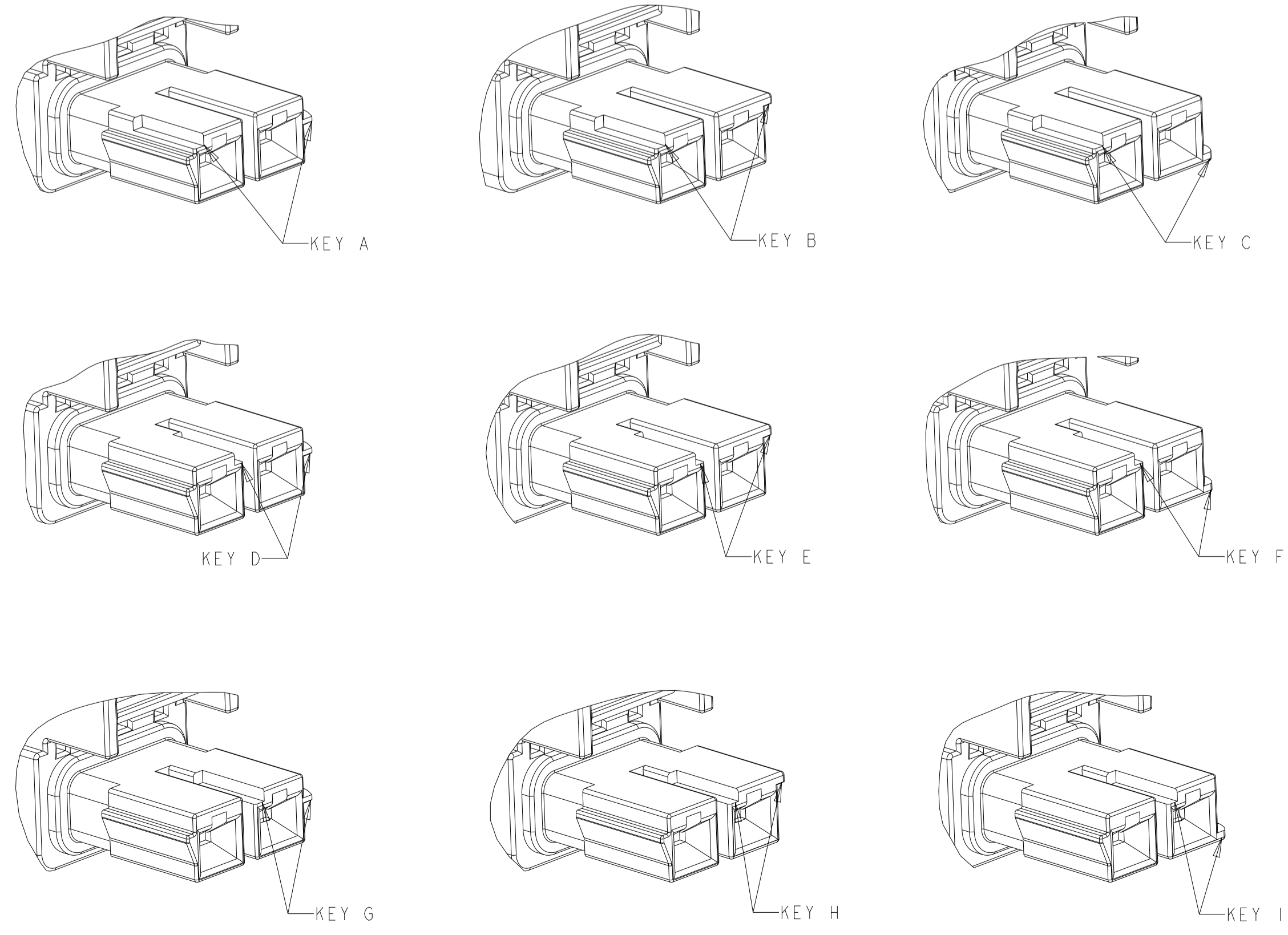
1x4 POSITION



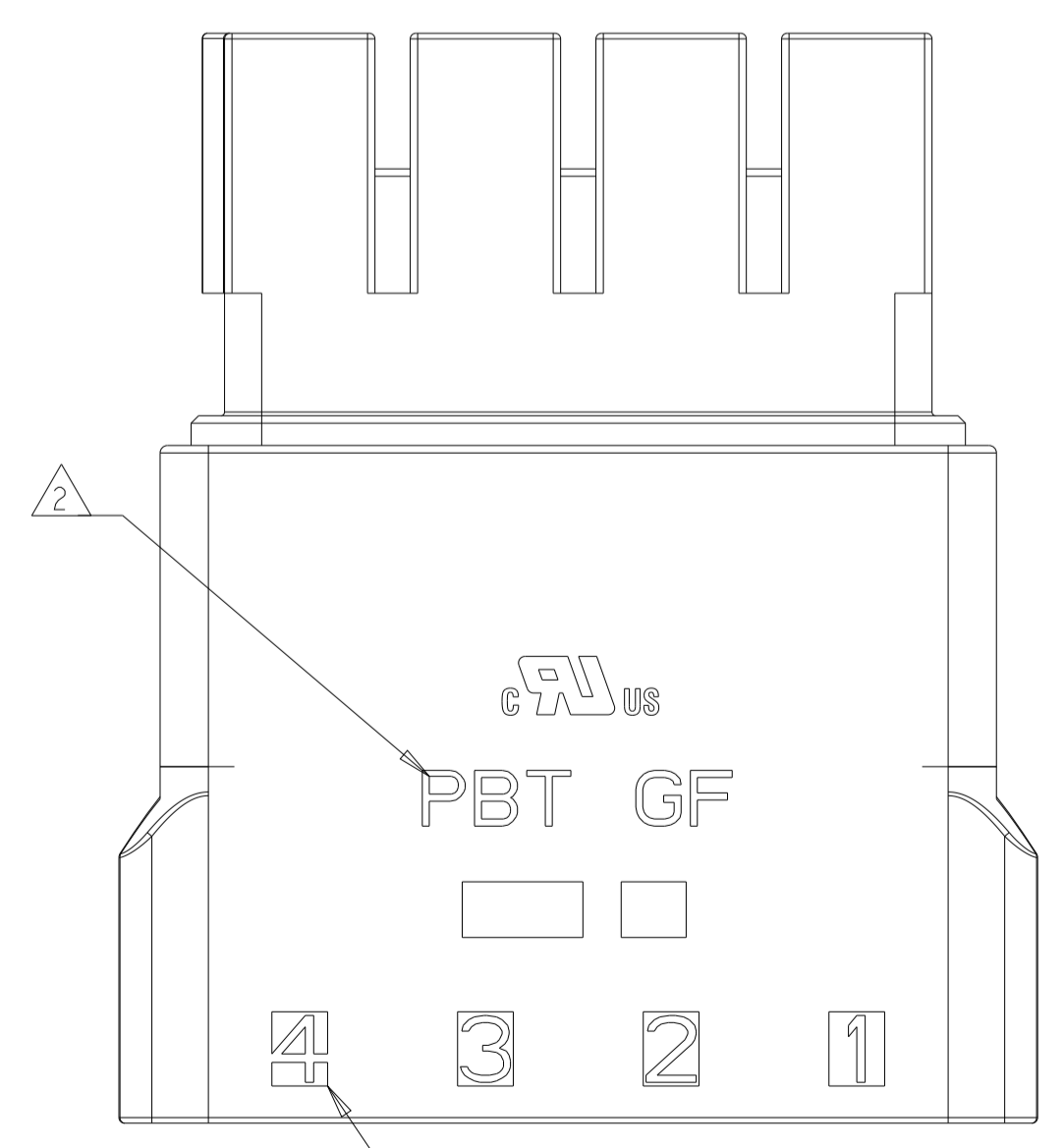
- 1. MATERIAL: PBT, GLASS FILLED WITH RUBBER GANG SEAL PRE-INSTALLED. GANG SEAL WIRE INSULATION RANGE IS 2.45 TO 3.60 MM.  
 KEY A: NATURAL; KEY B: GREY; KEY C: BROWN  
 KEY D: RED; KEY E: ORANGE; KEY F: VIOLET  
 KEY G: YELLOW; KEY H: BLUE; KEY I: GREEN
- 2. MATERIAL MARK: PBT GF
- 3. APPLICABLE CONTACT P/N:  
 2329914-\*/2329916-\*/2329917-\*
- 4. MATING CONNECTOR P/N  
 MATES WITH: \*-2391577-\*, \*-2378158-\*,  
 BACK COVER: 2334614-\*,  
 INTERFACE SEAL: 2325347-\*,  
 GANG SEAL: 2325349-\*, SEE CHART BELOW
- 5. FLAMMABILITY RATING: UL94 V-0
- 6. PRELIMINARY PARTS, NOT RELEASED FOR PRODUCTION

THIS PRODUCT HAS NOT COMPLETED QUALIFICATION TESTING

THIS PRINT IS  
**PRELIMINARY**  
 UNQUALIFIED PRODUCT  
 CONTACT PRODUCT ENGINEERING  
 BEFORE USING THIS PRINT



SEAL COLOR	SEAL P/N	DIM C	DIM B	DIM A	KEYING	POSITIONS	PART NUMBER
BLUE	2325349-4	24.66	22.52	19.05	KEY C	1*4	3-2391576-4
BLUE	2325349-4	24.66	22.52	19.05	KEY B	1*4	2-2391576-4
BLUE	2325349-4	24.66	22.52	19.05	KEY A	1*4	1-2391576-4
BLUE	2325349-3	19.66	17.52	14.05	KEY C	1*3	3-2391576-3
BLUE	2325349-3	19.66	17.52	14.05	KEY B	1*3	2-2391576-3
BLUE	2325349-3	19.66	17.52	14.05	KEY A	1*3	1-2391576-3
BLUE	2325349-2	14.66	12.52	9.05	KEY I	1*2	9-2391576-2
BLUE	2325349-2	14.66	12.52	9.05	KEY H	1*2	8-2391576-2
BLUE	2325349-2	14.66	12.52	9.05	KEY G	1*2	7-2391576-2
BLUE	2325349-2	14.66	12.52	9.05	KEY F	1*2	6-2391576-2
BLUE	2325349-2	14.66	12.52	9.05	KEY E	1*2	5-2391576-2
BLUE	2325349-2	14.66	12.52	9.05	KEY D	1*2	4-2391576-2
BLUE	2325349-2	14.66	12.52	9.05	KEY C	1*2	3-2391576-2
BLUE	2325349-2	14.66	12.52	9.05	KEY B	1*2	2-2391576-2
BLUE	2325349-2	14.66	12.52	9.05	KEY A	1*2	1-2391576-2



CIRCUIT NUMBER (1x4 SHOWN)

THIS DRAWING IS A CONTROLLED DOCUMENT.

DIMENSIONS: mm 	TOLERANCES UNLESS OTHERWISE SPECIFIED: 0 PLC ± 1 PLC ±0.2 2 PLC ±0.10 3 PLC ± 4 PLC ± ANGLES ± FINISH	DWN S. SHINDE 30JUL2021 CHK D. SWARTZ 30JUL2021 APVD V. SETHIAR 30JUL2021 PRODUCT SPEC 108-143081 APPLICATION SPEC 114-143082 WEIGHT CUSTOMER DRAWING	NAME PRESEALED PLUG HOUSING POWER VERSA-LOCK SIZE CAGE CODE DRAWING NO. RESTRICTED TO A100779C=2391576 SCALE 5:1 SHEET OF REV
-----------------------	--	---	--