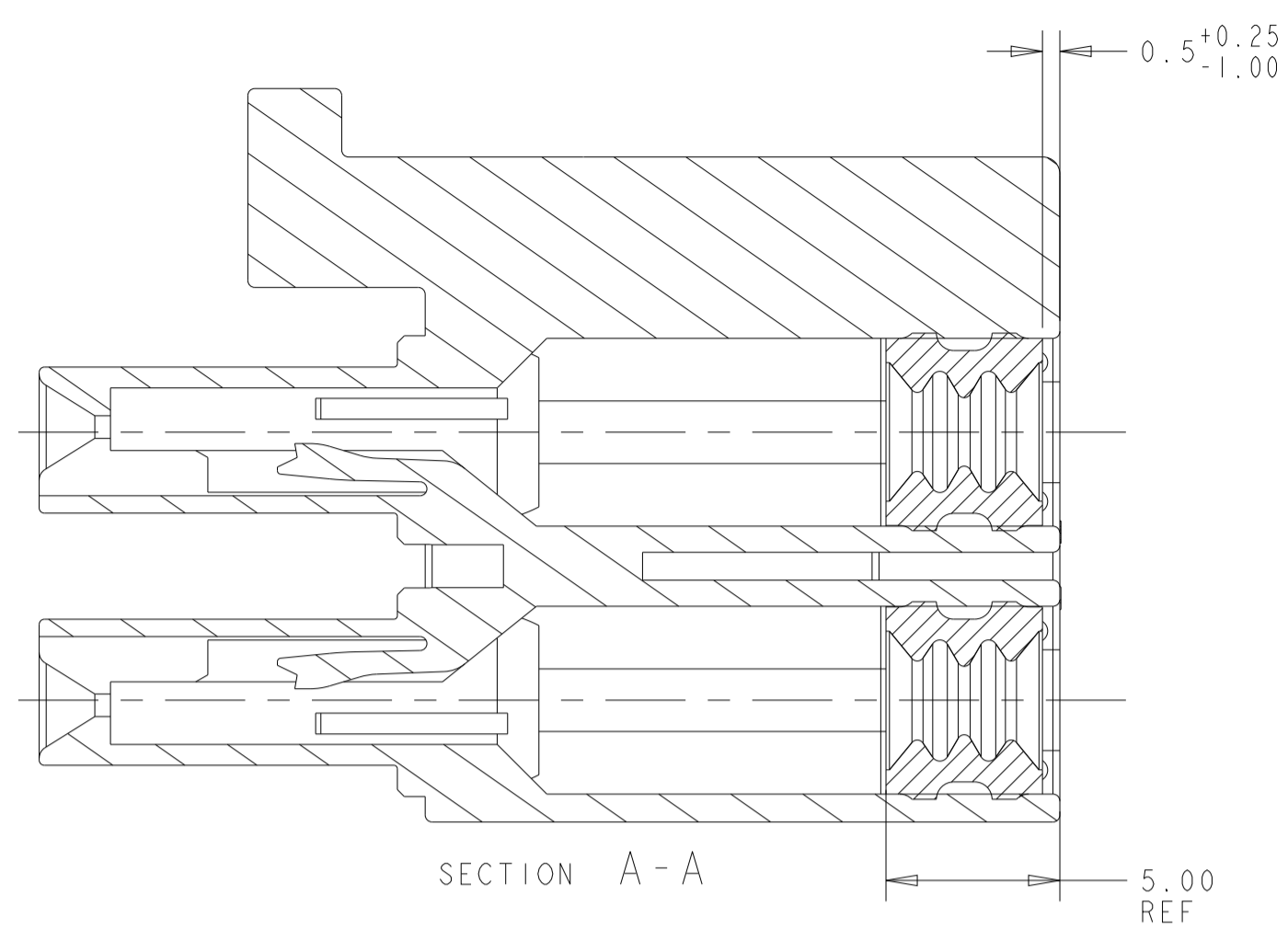
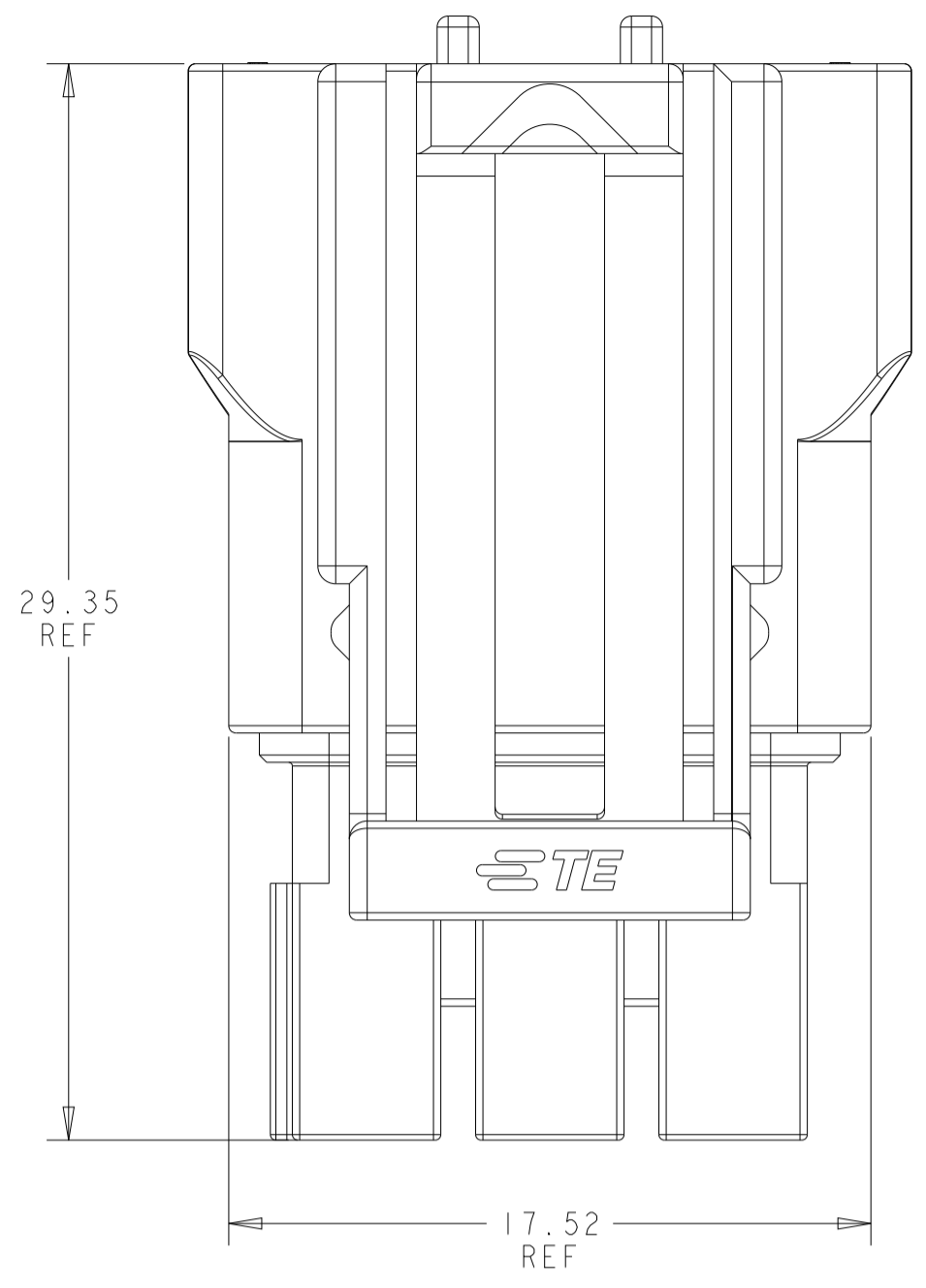
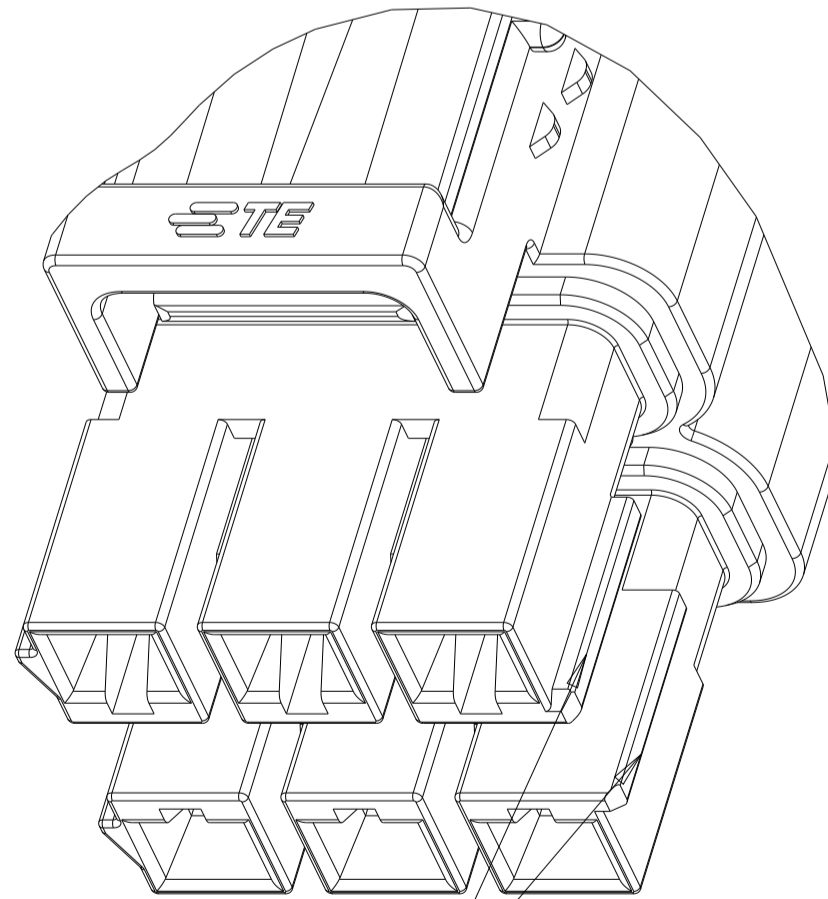
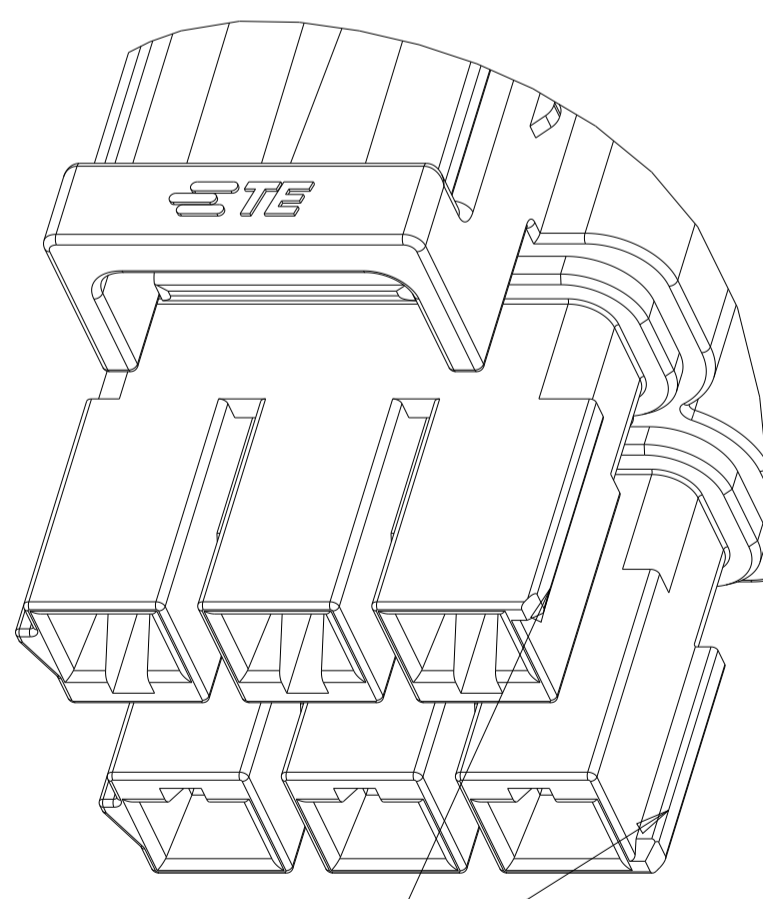
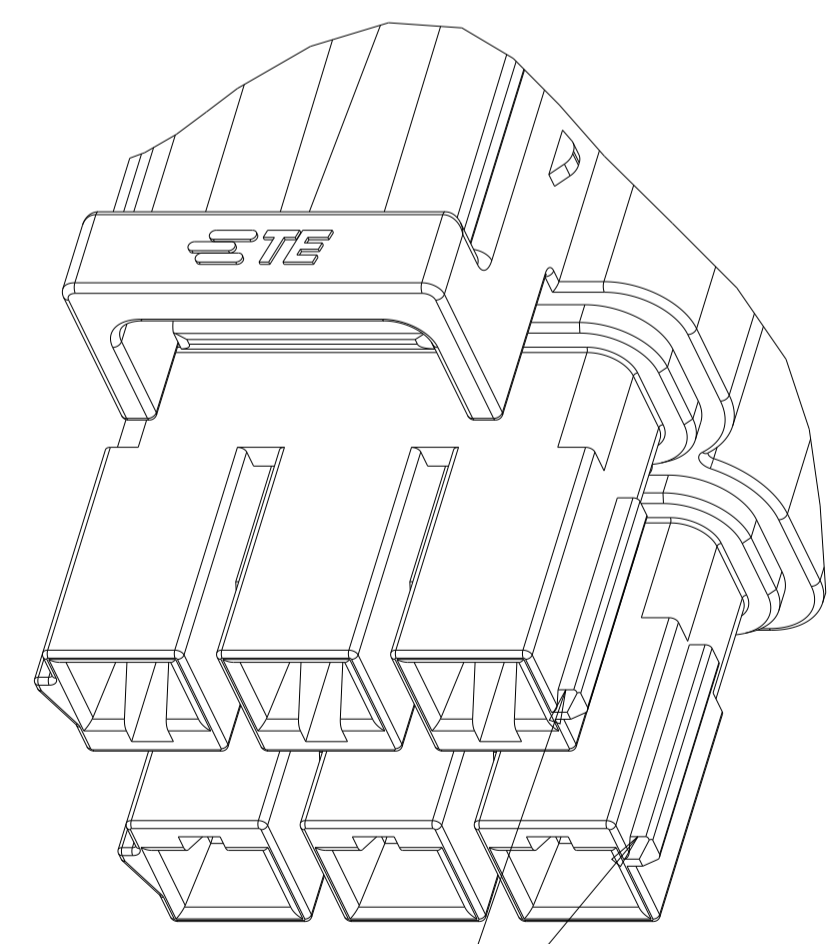
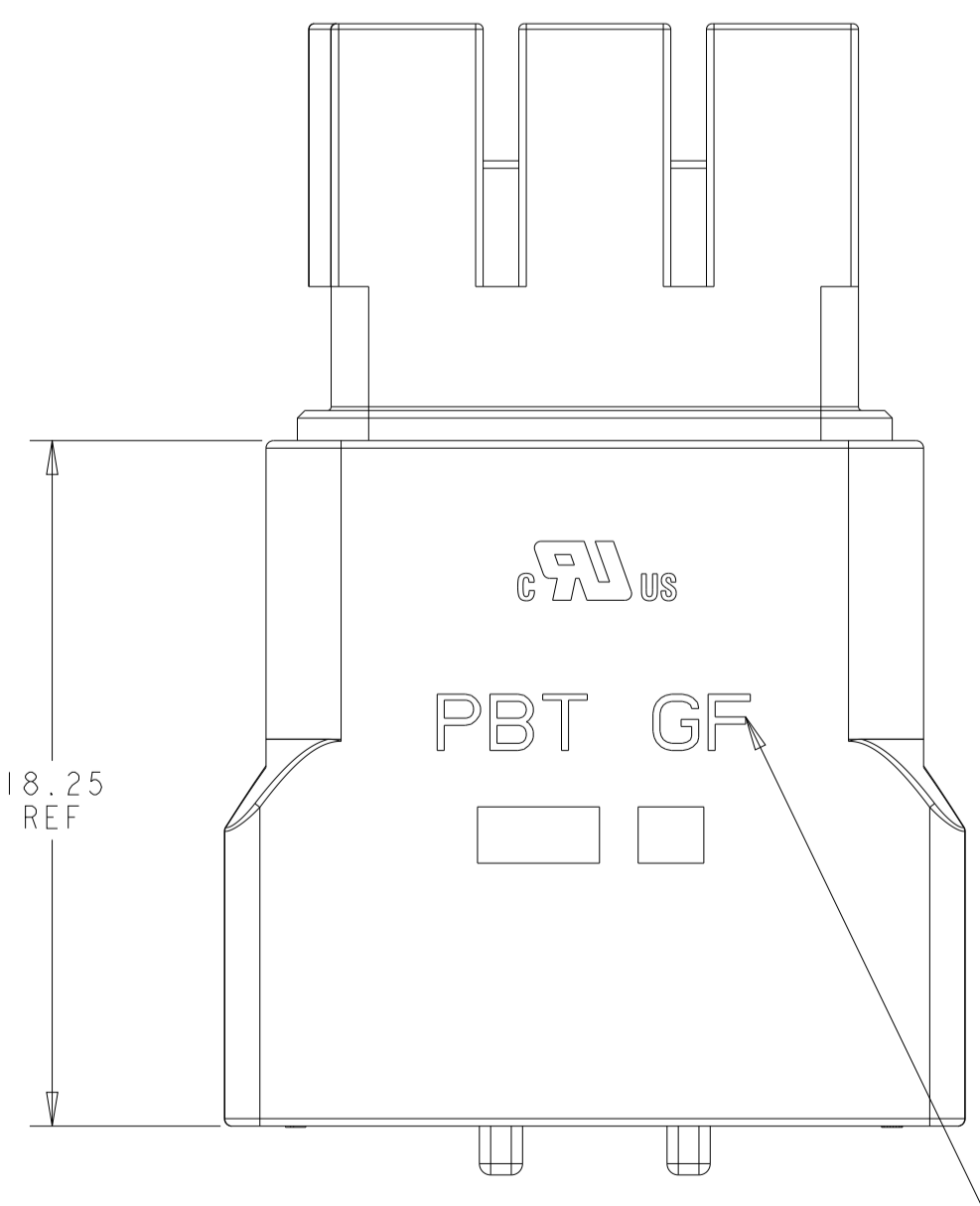
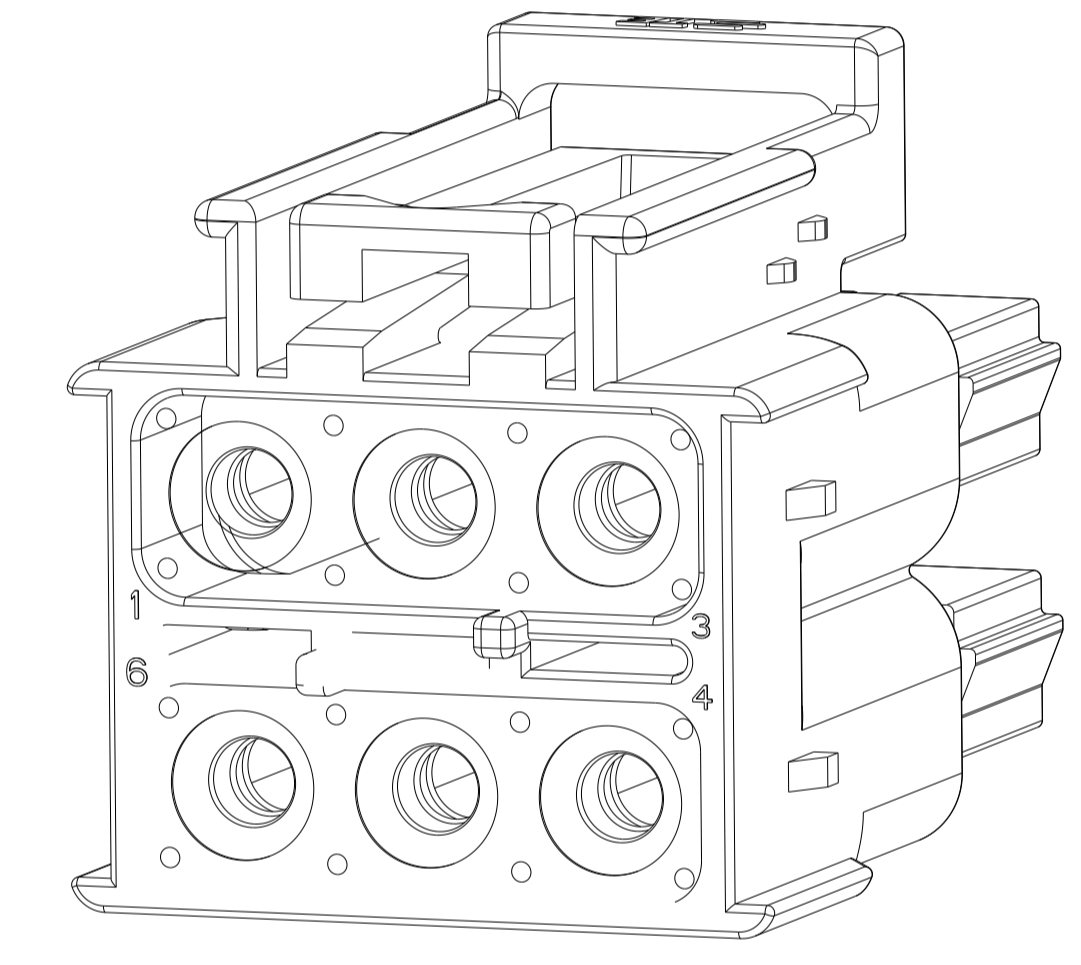
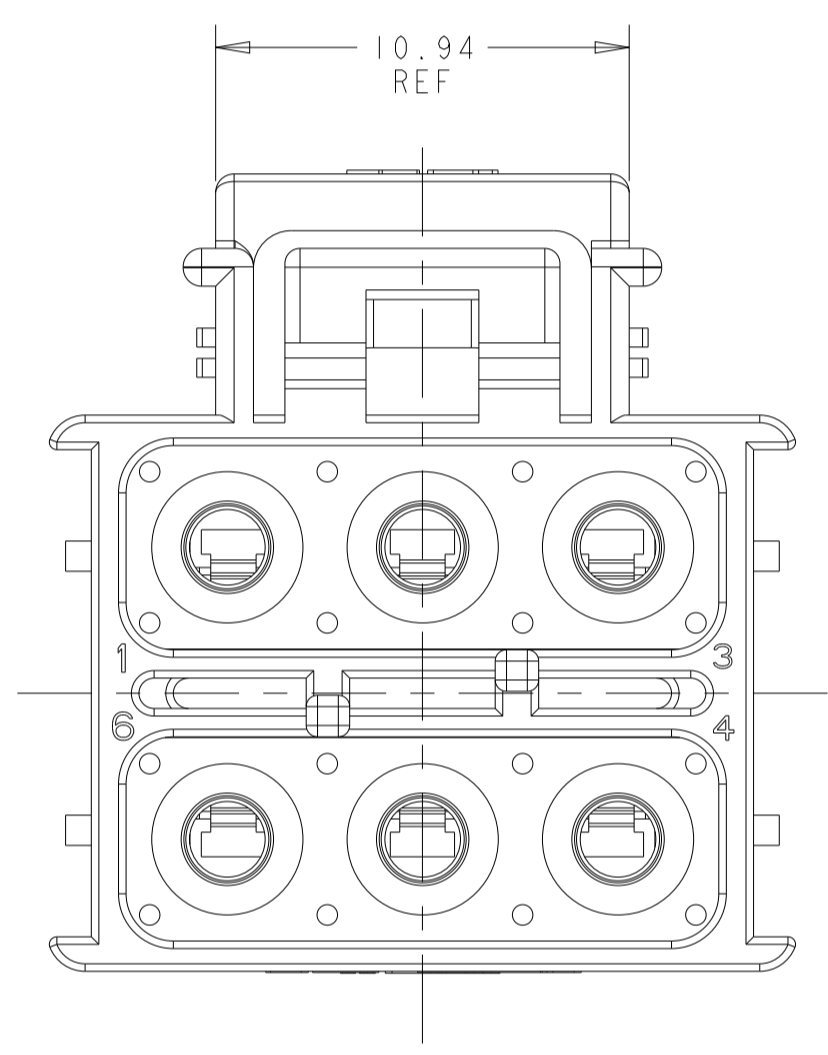
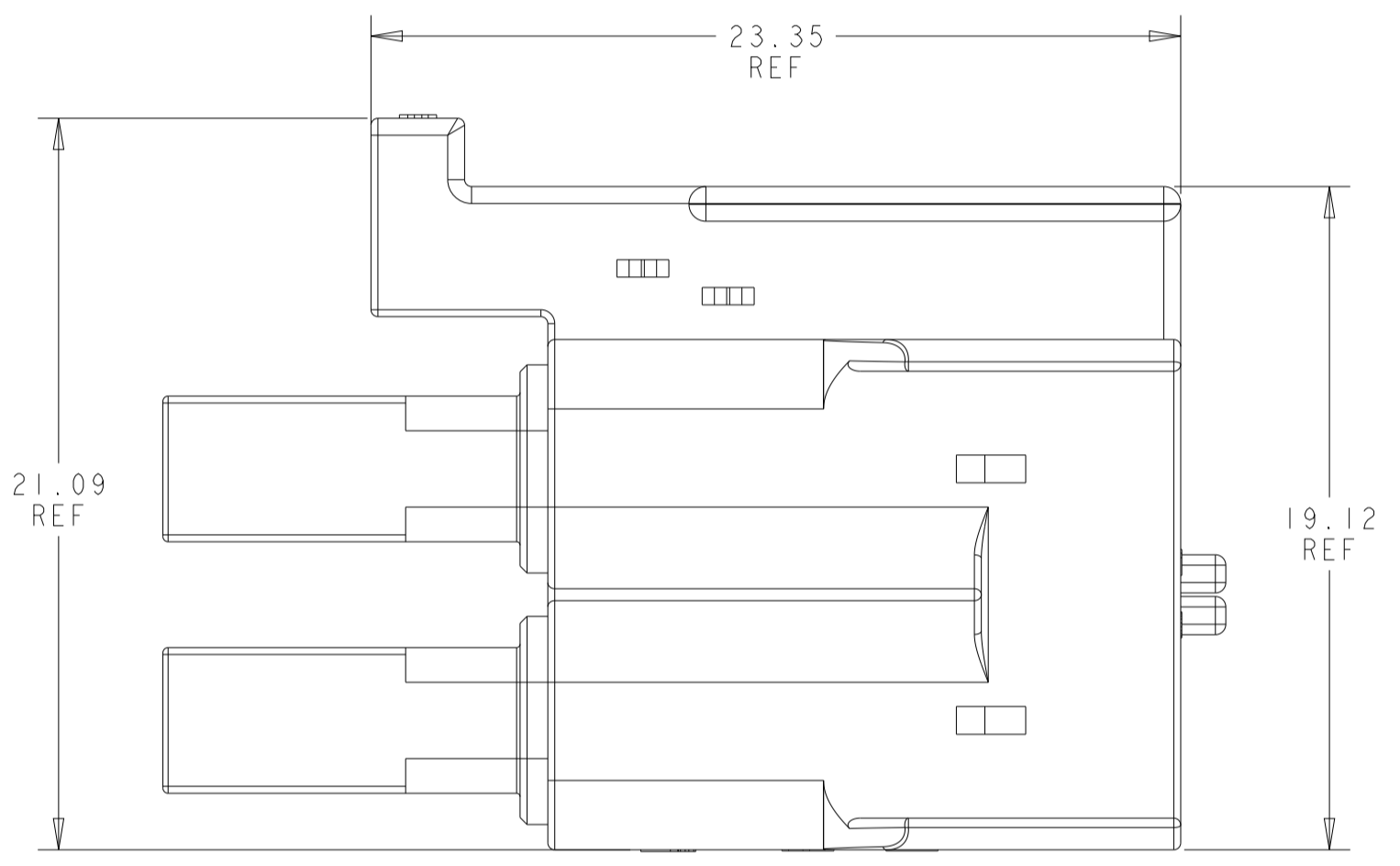
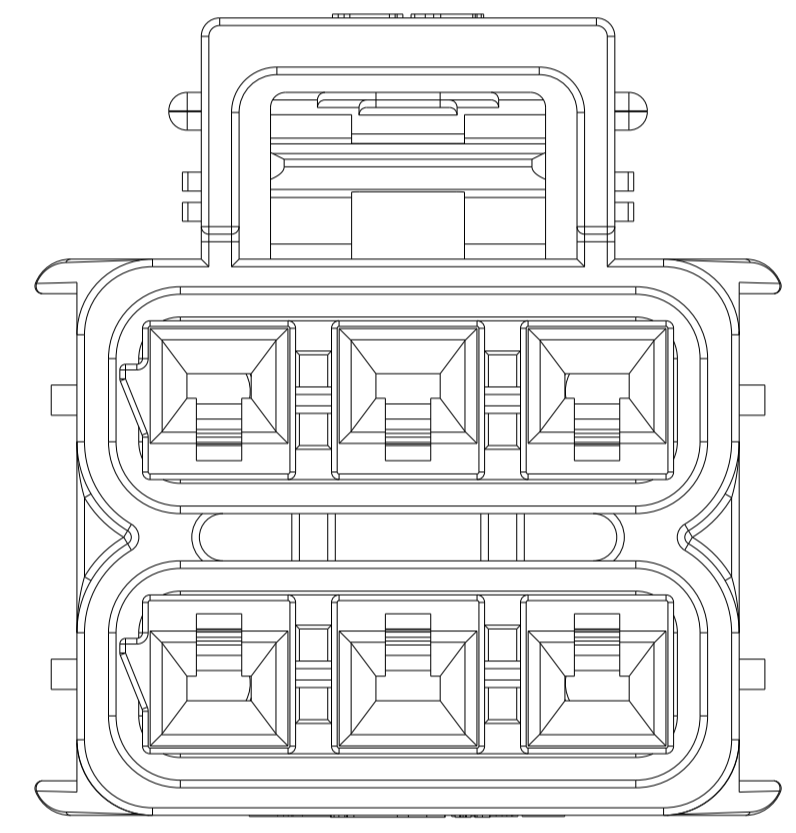


| REVISIONS | | | | |
|-----------|-----|---------------------|-----------|-------|
| P | LTN | DESCRIPTION | DATE | APVD |
| 1 | | PRELIMINARY RELEASE | 02AUG2021 | SS VS |



- 1 MATERIAL: PBT, GLASS FILLED WITH RUBBER GANG SEAL PRE-INSTALLED. GANG SEAL WIRE INSULATION RANGE IS 2.45 TO 3.60 MM. KEY A: NATURAL; KEY B: LIGHT GREY; KEY C: BROWN
- 2 MATERIAL MARK: PBT GF
- 3 APPLICABLE CONTACT P/N: 2329914-*/2329916-*/2329917-*
- 4 MATING CONNECTOR P/N: MATES WITH: *-2391579-6, *-2336231-*/*-2337219-*. INTERFACE SEAL: 2325347-3 (2 PER PLUG) GANG SEAL: 2325349-3 (2 PER PLUG)
- 5 FLAMMABILITY RATING: UL94 V-0
- 6 PRELIMINARY PARTS, NOT RELEASED FOR PRODUCTION

THIS PRODUCT HAS NOT COMPLETED QUALIFICATION TESTING



KEY A

KEY B

KEY C

THIS PRINT IS
PRELIMINARY
 UNQUALIFIED PRODUCT
 CONTACT PRODUCT ENGINEERING
 BEFORE USING THIS PRINT

| SEAL COLOR | SEAL P/N | KEYING | POSITIONS | PART NUMBER |
|------------|-----------|--------|-----------|-------------|
| BLUE | 2325349-3 | KEY C | 2*3 | 3-2391578-6 |
| BLUE | 2325349-3 | KEY B | 2*3 | 2-2391578-6 |
| BLUE | 2325349-3 | KEY A | 2*3 | 1-2391578-6 |

| | | | | |
|--|--|---|---|---|
| THIS DRAWING IS A CONTROLLED DOCUMENT. | | DWN: S. SHINDE 02AUG2021 CHK: D. SWARTZ 02AUG2021 APVD: V. SHELTA 02AUG2021 | STE TE Connectivity | |
| DIMENSIONS: mm | TOLERANCES UNLESS OTHERWISE SPECIFIED: 0 PLC ±0.2 1 PLC ±0.10 2 PLC ±0.10 3 PLC ±0.10 4 PLC ±0.10 ANGLES ±1° FINISH | NAME: PRESEALED PLUG HOUSING, POWER VERSA-LOCK PRODUCT SPEC: 108-143081 APPLICATION SPEC: 114-143082 WEIGHT: - | SIZE: A1 CAGE CODE: 00779 DRAWING NO: C=2391578 | RESTRICTED TO: - SCALE: 5:1 SHEET: 1 OF 1 REV: |
| MATERIAL: PBT GF | | CUSTOMER DRAWING | | |