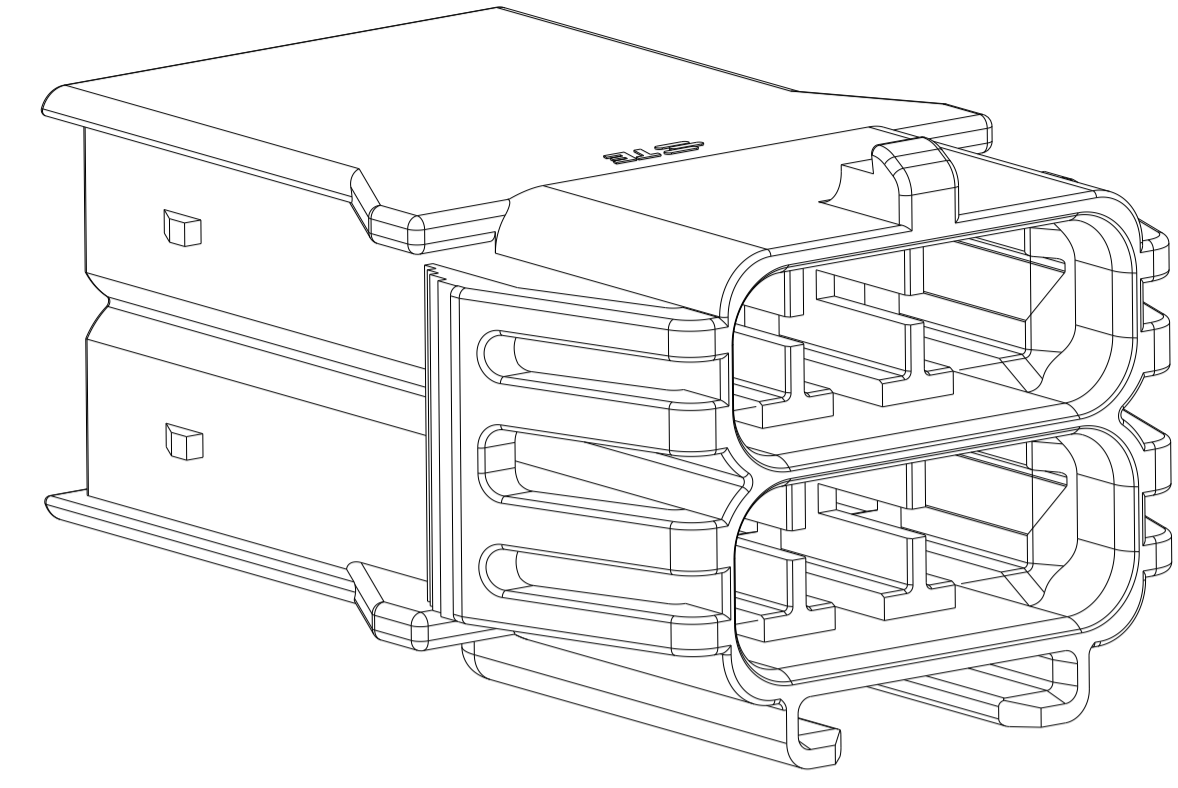
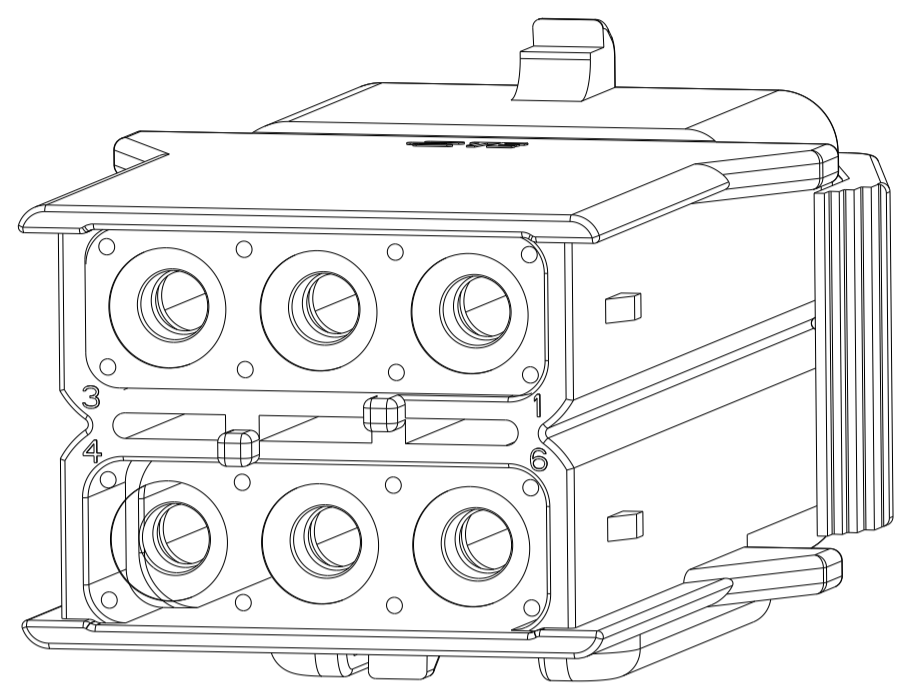
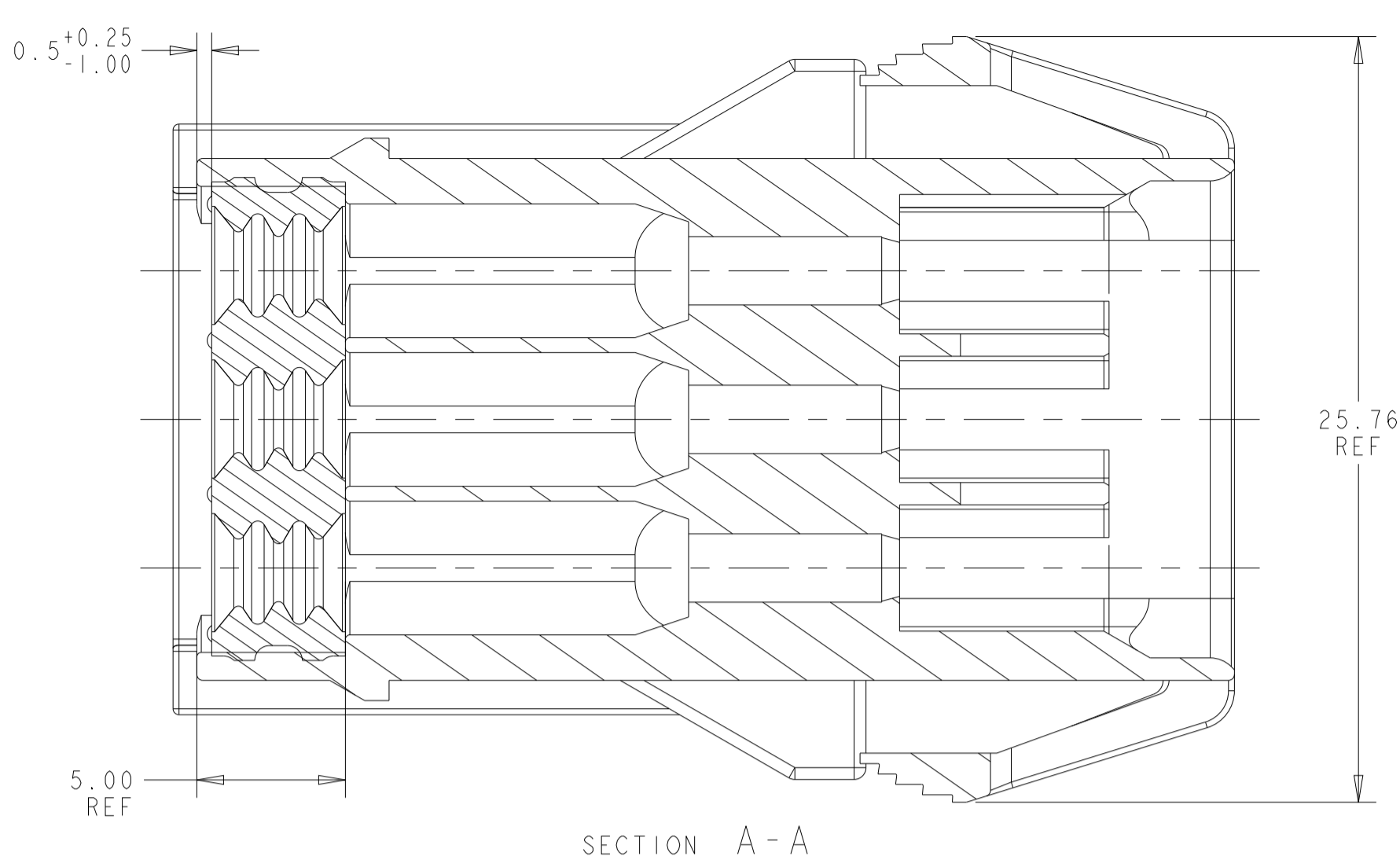


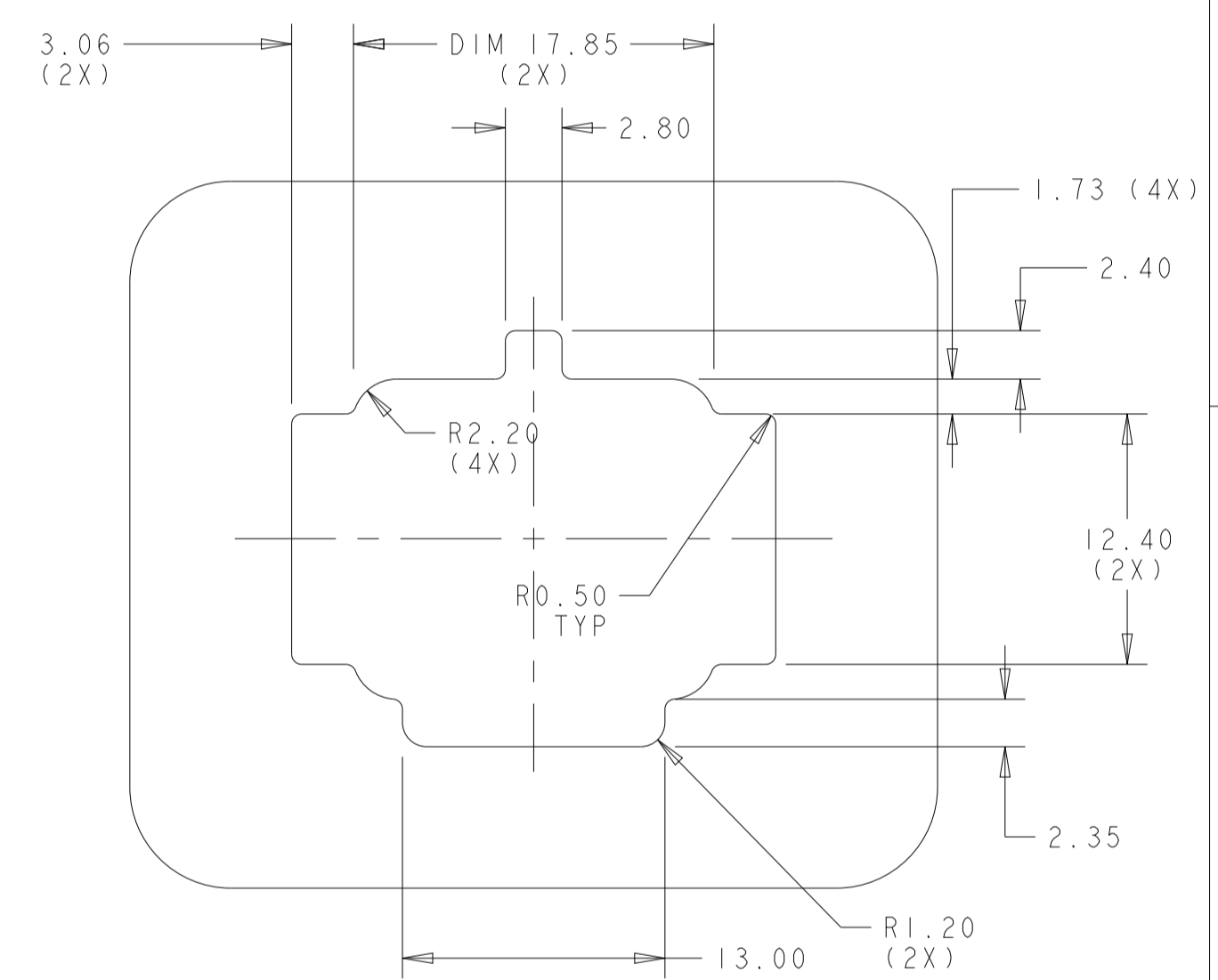
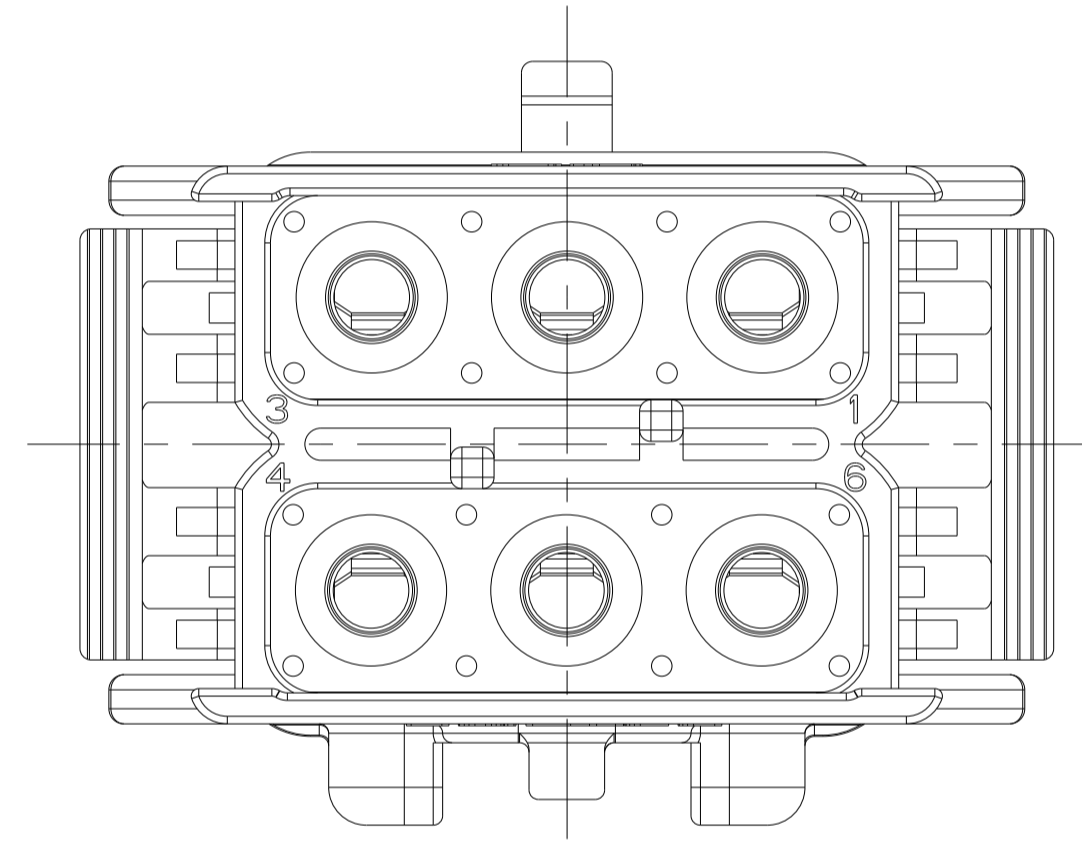
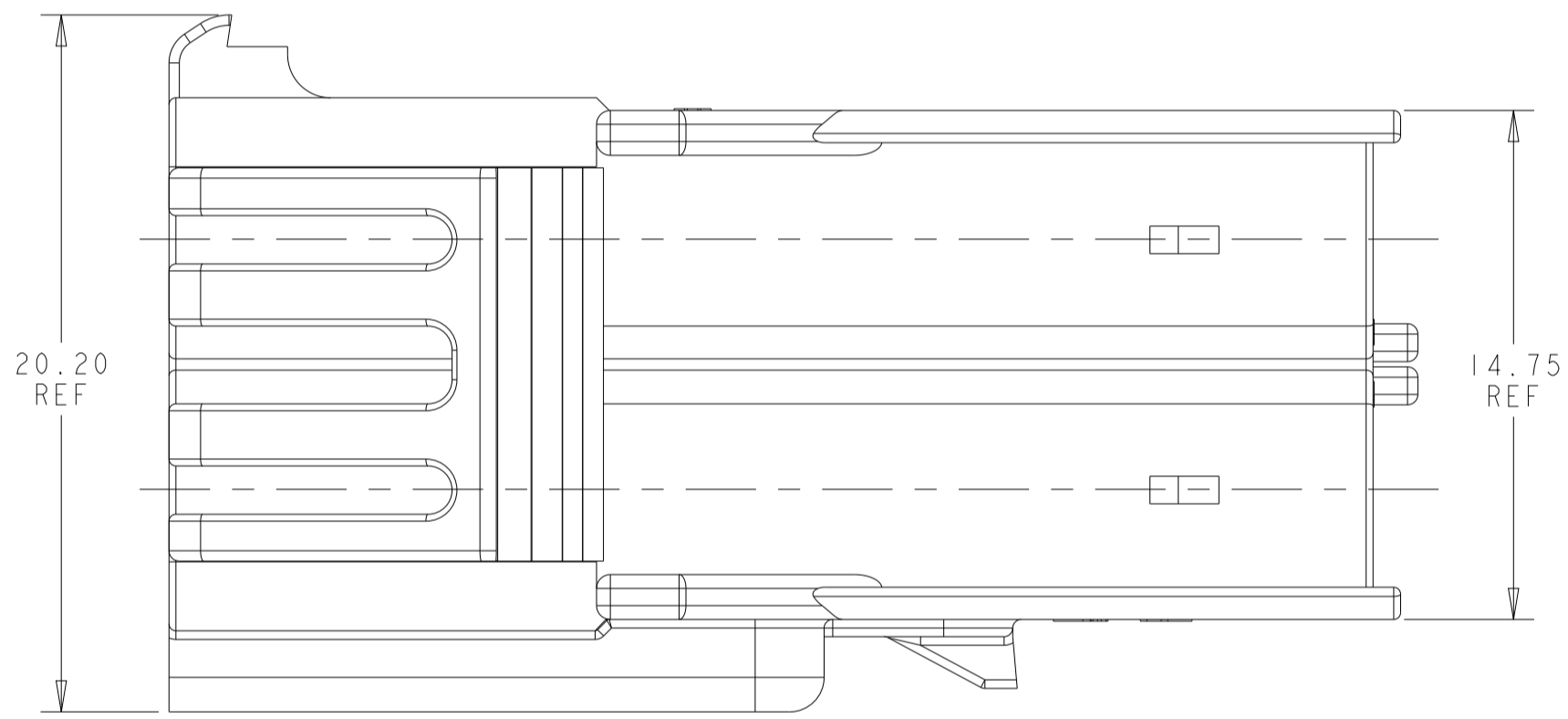
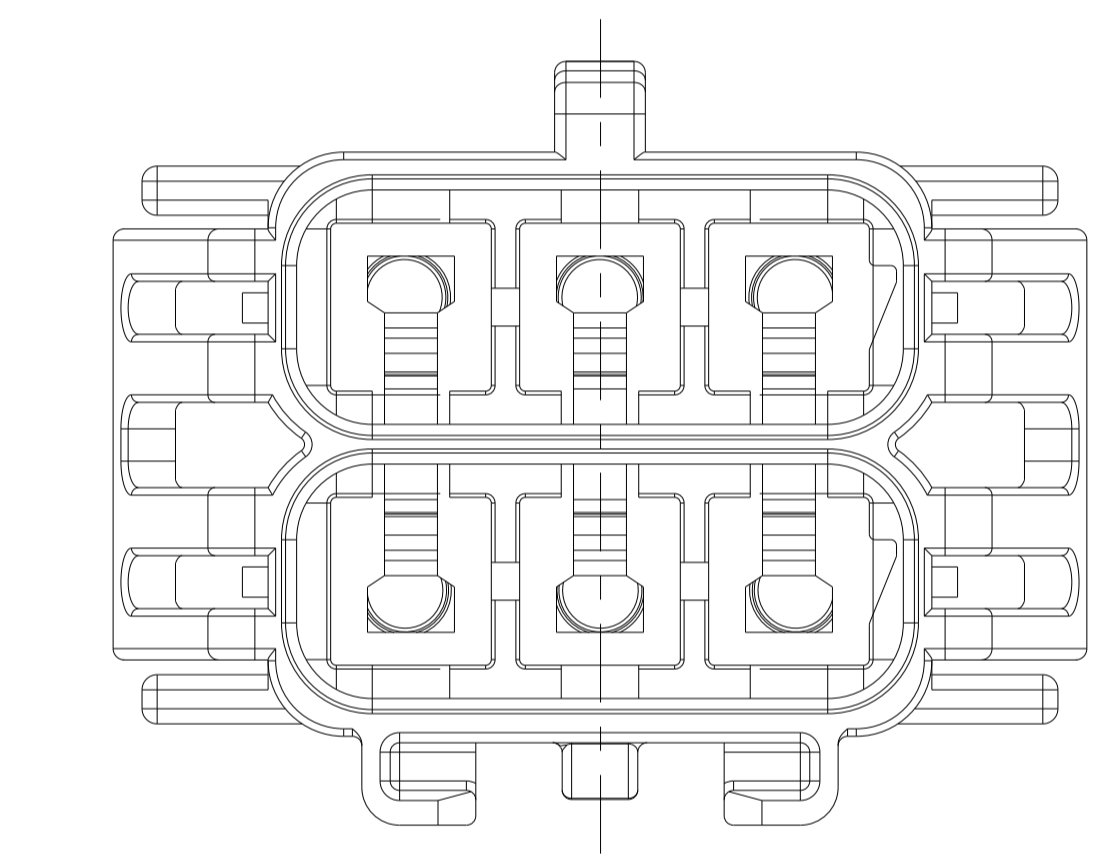
REVISIONS				
P	LTN	DESCRIPTION	DATE	APVD
1		PRELIMINARY RELEASE	02AUG2021	SS VS



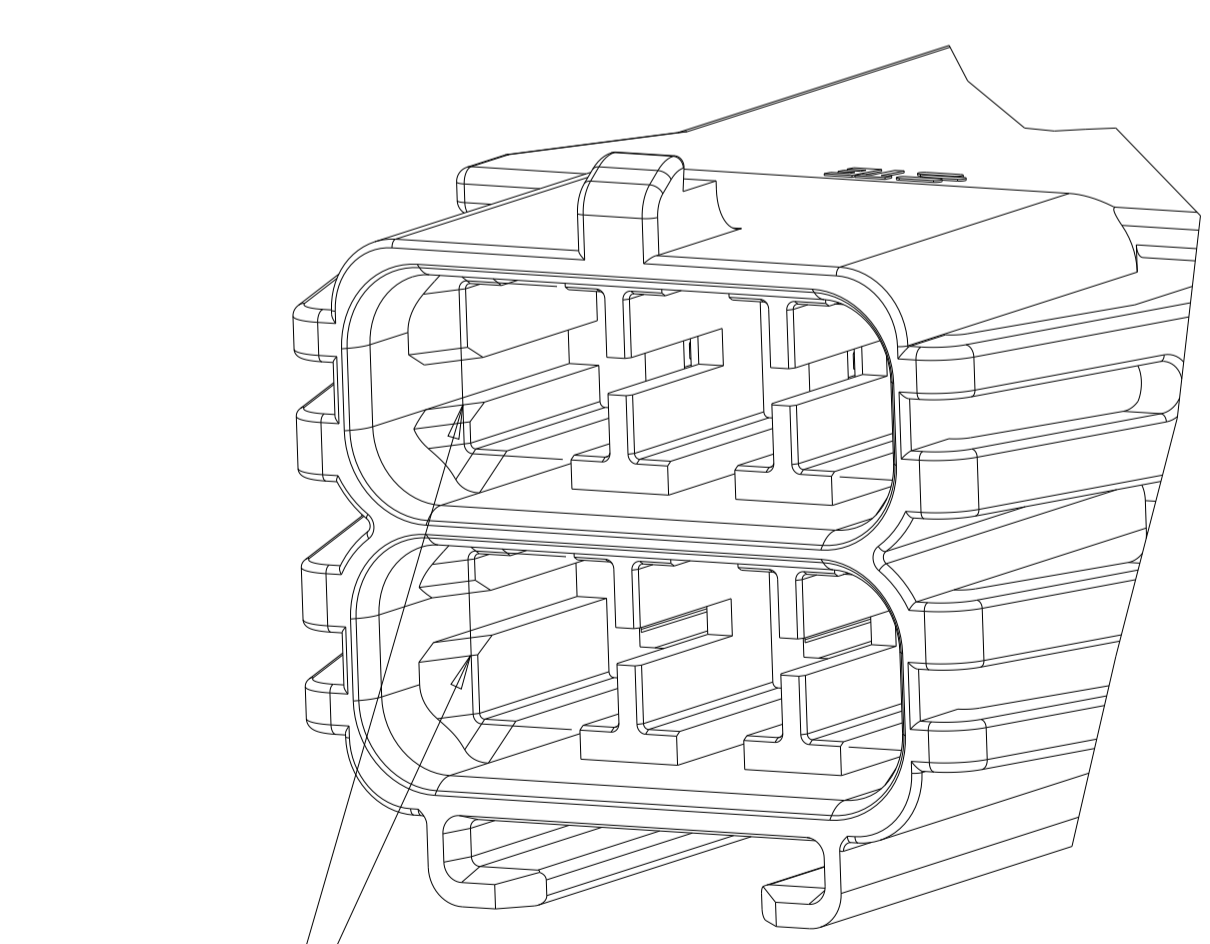
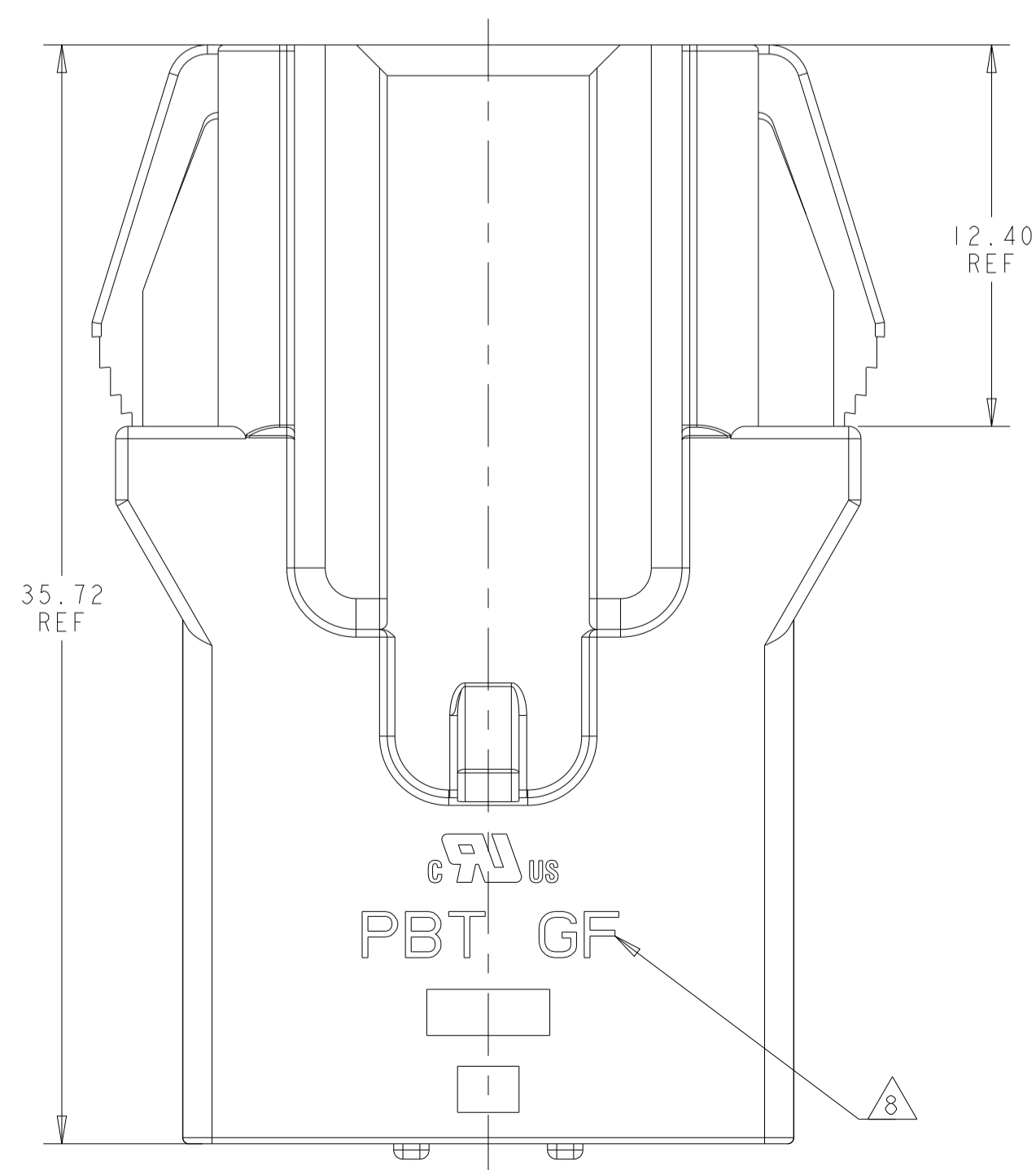
2x3 POSITION

- 1. MATERIAL: PBT, GLASS FILLED WITH RUBBER GANG SEAL PRE-INSTALLED. GANG SEAL WIRE INSULATION RANGE IS 2.45 TO 3.60 MM. KEY A: NATURAL; KEY B: LIGHT GREY; KEY C: BROWN
 - 2. FLAMMABILITY RATING: UL94 V-0
 - 3. APPLICABLE CONTACT P/N: 2329907-*/2329908-*/2329911-*
 - 4. MATING CONNECTOR P/N MATES WITH: *-2391578-6, *-2336229-*/*-2337912-* GANG SEAL: 2325349-3 (2 PER CAP)
 - 5. RECOMMENDED PANEL THICKNESS: 0.80-2.00
 - 6. PANEL MUST BE PUNCHED SO THAT THE HOUSING ENTERS THE PANEL IN THE SAME DIRECTION AS THE PUNCH
- ⚠ PRELIMINARY PART, NOT RELEASED FOR PRODUCTION
 ⚠ MATERIAL MARK: PBT GF

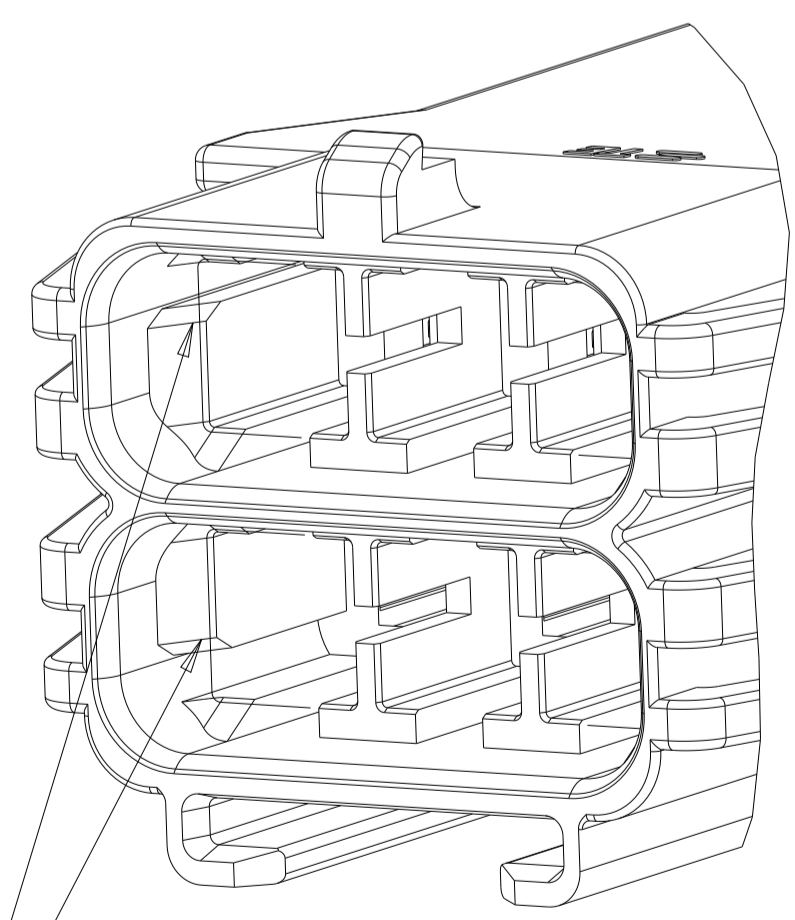
THIS PRODUCT HAS NOT COMPLETED QUALIFICATION TESTING



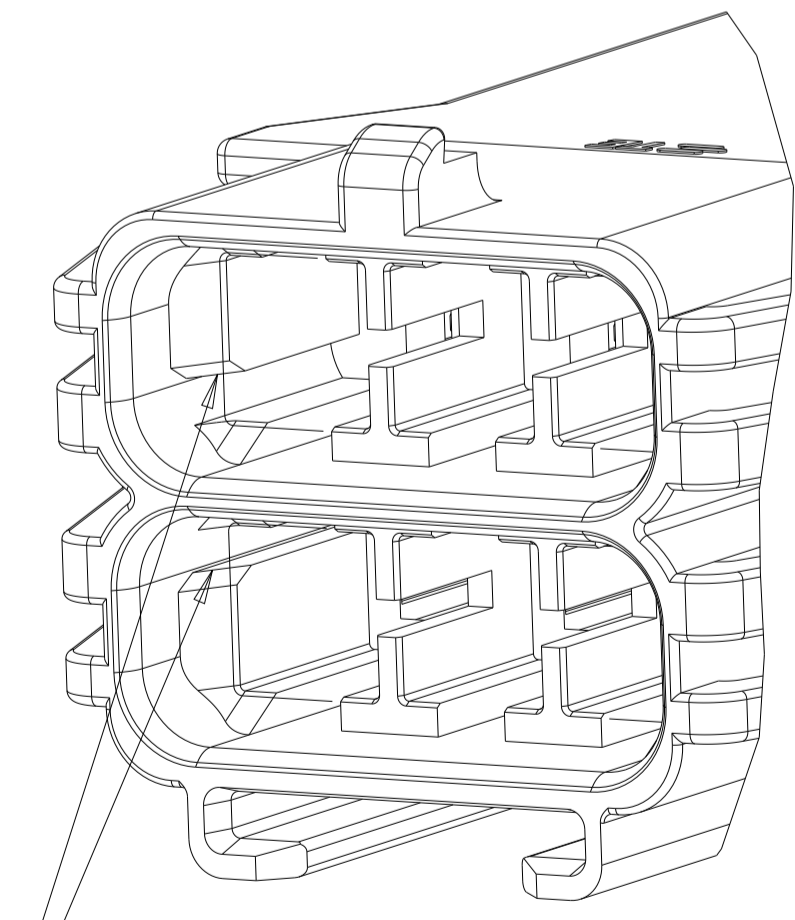
RECOMMENDED PANEL CUT-OUT
 (ALL DIMENSIONS ±0.15)



KEY A



KEY B



KEY C

SEAL COLOR	SEAL P/N	KEYING	POSITIONS	PART NUMBER
BLUE	2325349-3	KEY C	2*3	3-2391579-6
BLUE	2325349-3	KEY B	2*3	2-2391579-6
BLUE	2325349-3	KEY A	2*3	1-2391579-6

THIS DRAWING IS A CONTROLLED DOCUMENT.

DIMENSIONS:	TOLERANCES UNLESS OTHERWISE SPECIFIED:	OWN S. SHINDE 02AUG2021	CHK D. SWARTZ 02AUG2021	APVD V. SWARTZ 02AUG2021	NAME PRESEAL CAP HOUSING, POWER VERSA-LOCK
mm	0 PLC ±0.2 2 PLC ±0.10 3 PLC ±0.10 4 PLC ±0.10 ANGLES ±0.10 FINISH	PRODUCT SPEC 108-143081	APPLICATION SPEC 114-143082	WEIGHT	SIZE CAGE CODE DRAWING NO. RESTRICTED TO
MATERIAL		WEIGHT			A100779C=2391579
		CUSTOMER DRAWING	SCALE 5:1	SHEET OF REV	

TE Connectivity