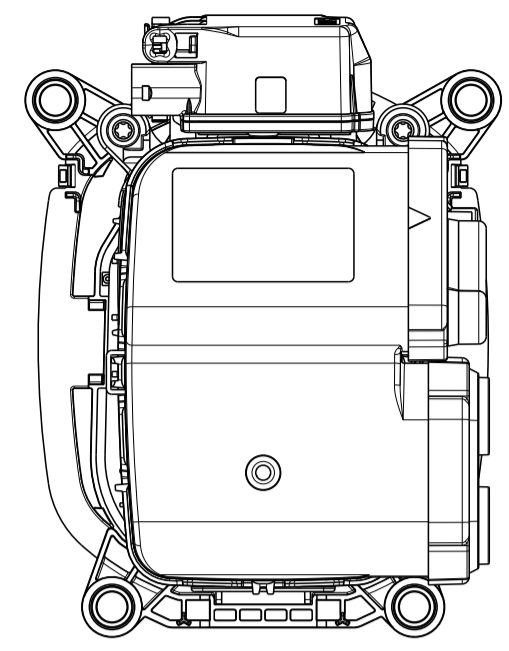
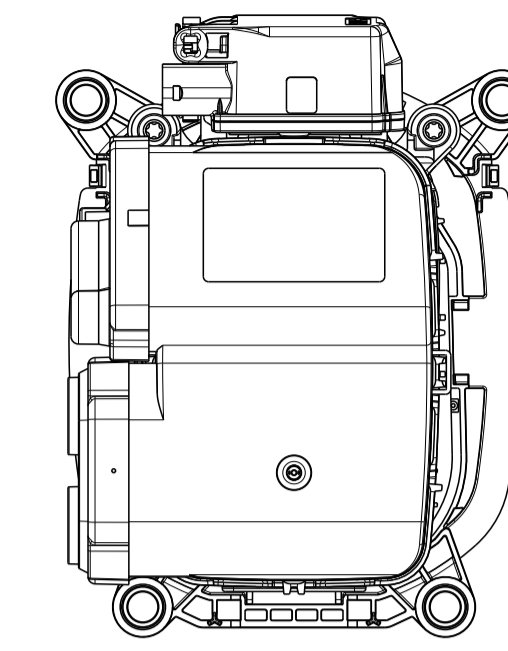


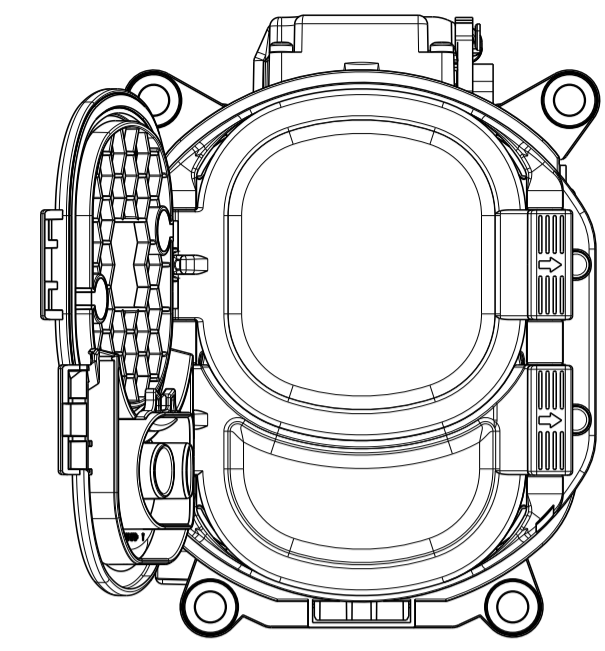
LOCKING UNIT POSITION UPPER
CABLE OUTLET POSITION 1



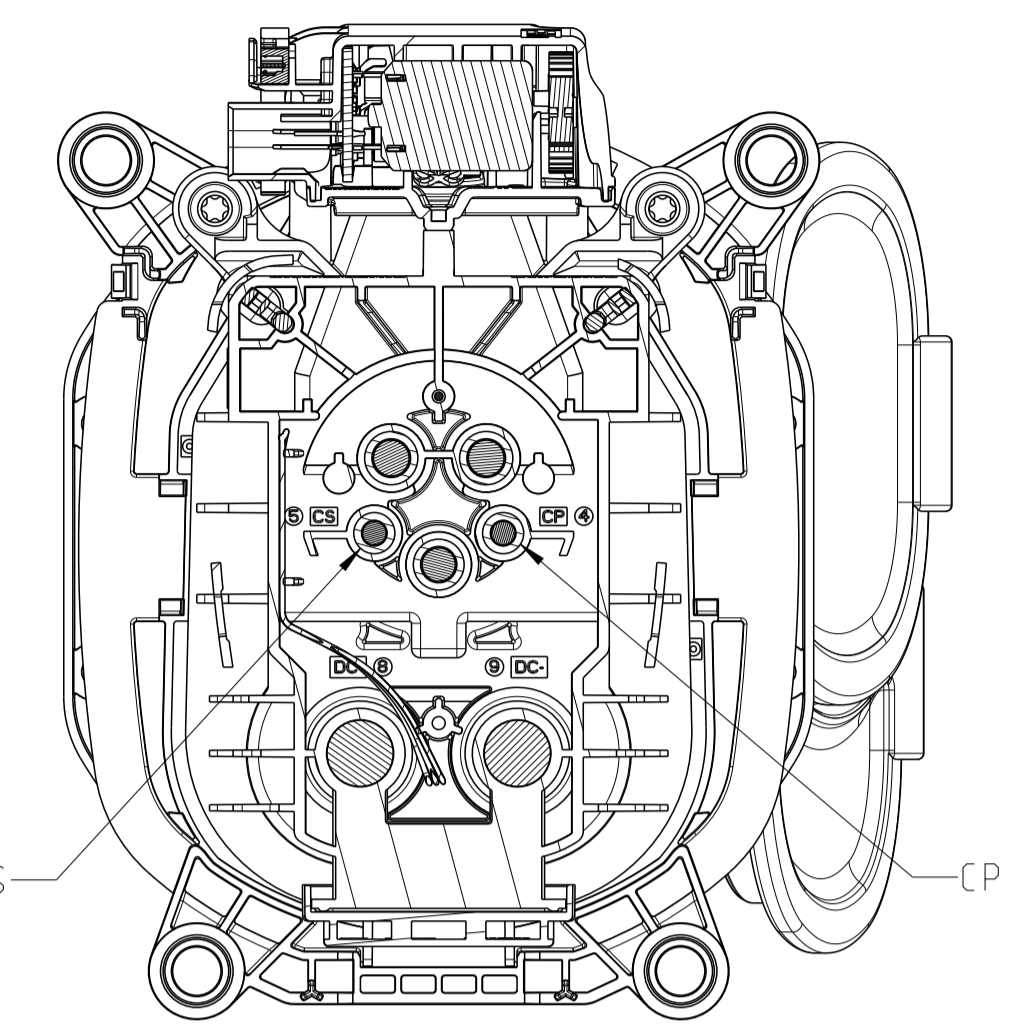
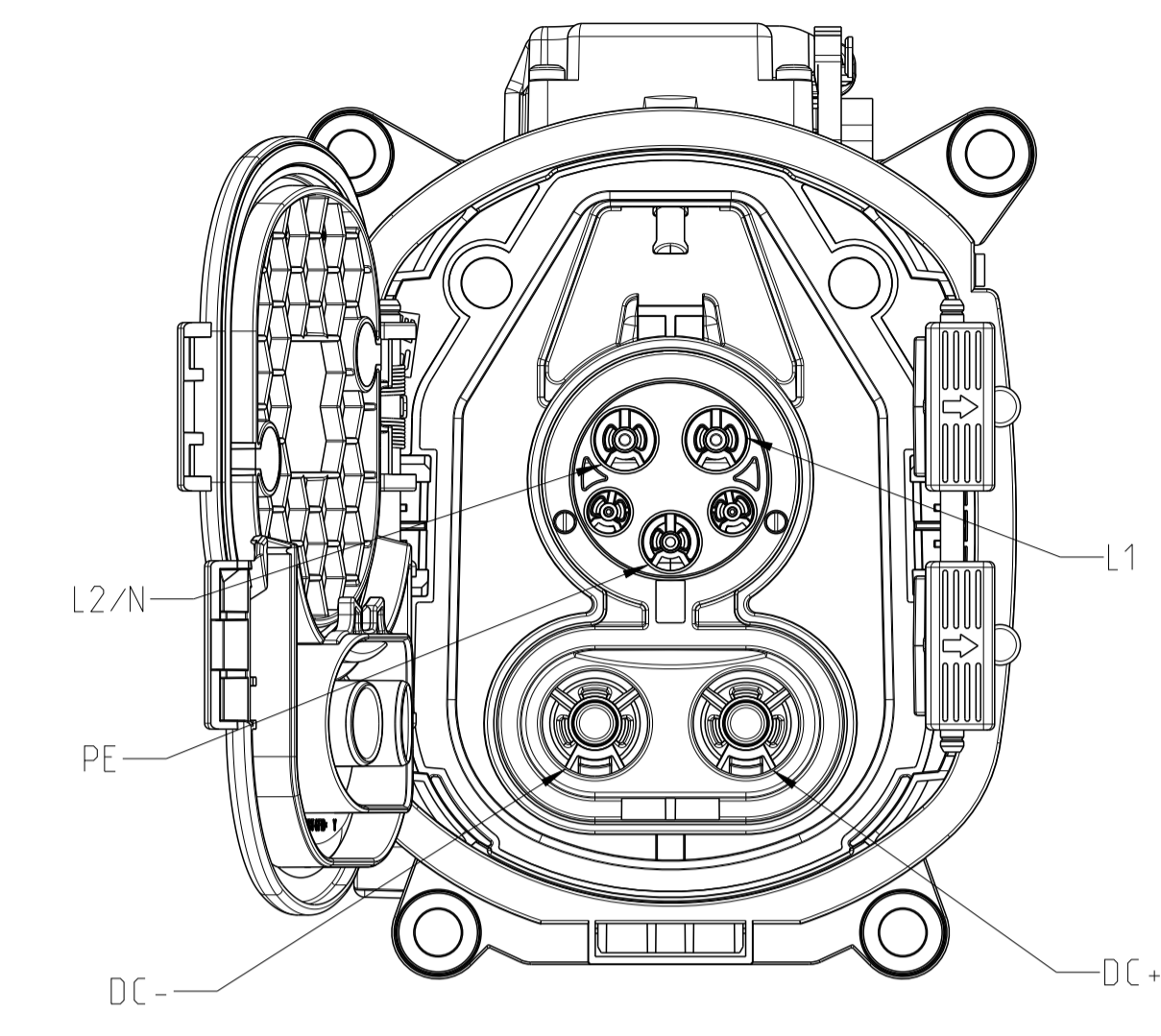
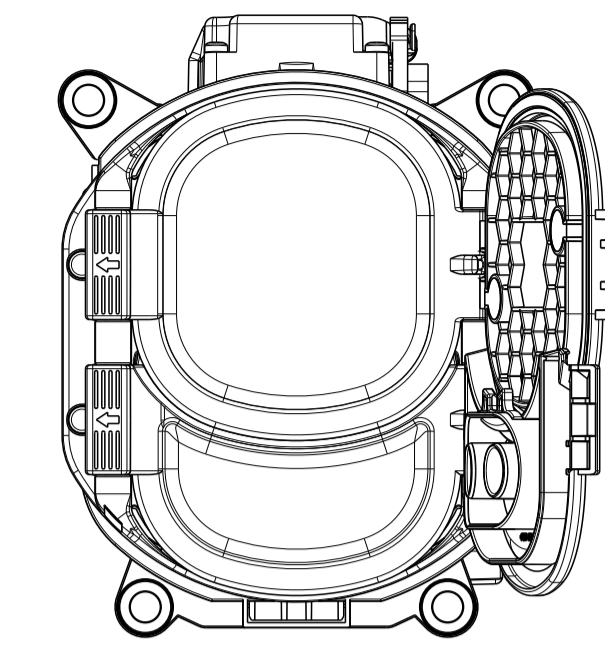
LOCKING UNIT POSITION UPPER
CABLE OUTLET POSITION 2



FLAPS OPEN LEFT

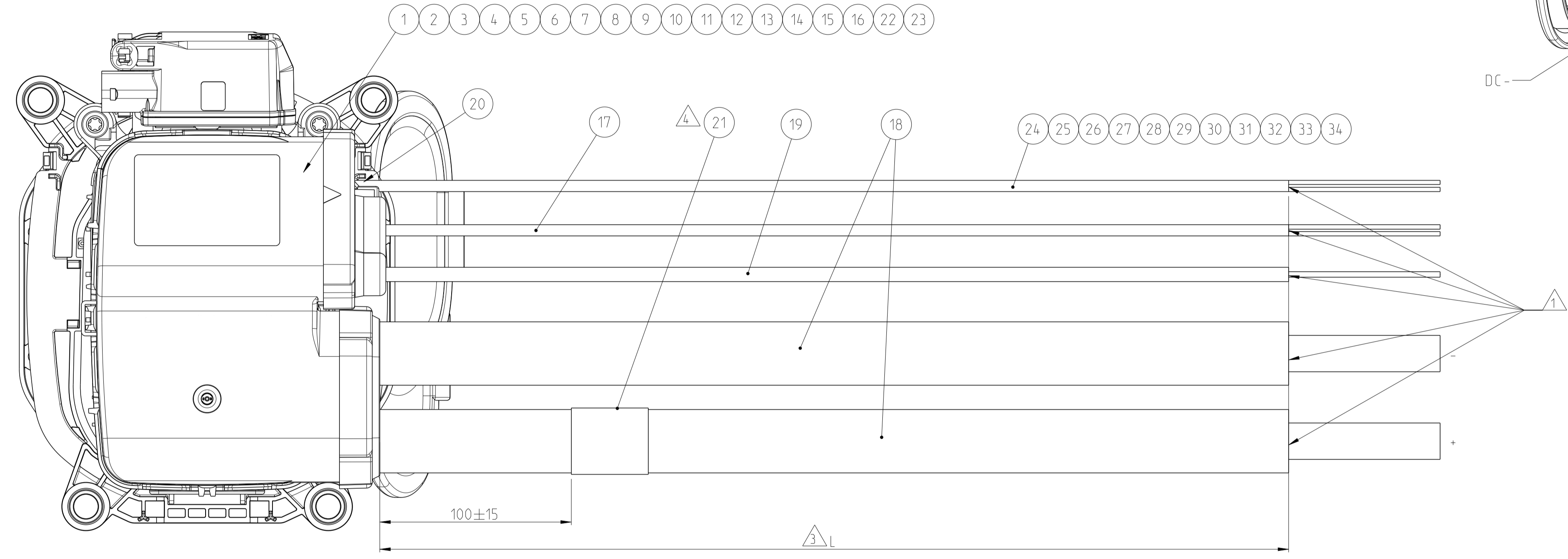


FLAPS OPEN RIGHT



0- 3 AS SHOWN
wie dargestellt

REVISIONS				
P	LTN	DESCRIPTION	DATE	DWN APVD
A		NEW DRAWING	22.JUL.2021	SN GL
A1		NOTE 5 ADDED	17NOV2021	YP GL
A2		REVISED PER PCN-23-177502	18MAY2023	MK GL



SECTION A-A

LENGTH SCHEDULE:
Laengentabelle:

TE PART NO	REV	LENGTH L (mm)	TOL	CABLE OUTLET	FLAP UNIT
2393947-1	A	1500	+30	POSITION 1	NO FLAPS
2393947-2	A	1500	+30	POSITION 2	NO FLAPS
2393947-3	A	1500	+30	POSITION 1	FLAPS OPEN LEFT
2393947-4	A	1500	+30	POSITION 2	FLAPS OPEN LEFT
2393947-5	A	1500	+30	POSITION 1	FLAPS OPEN RIGHT
2393947-6	A	1500	+30	POSITION 2	FLAPS OPEN RIGHT
1-2393947-1	A	3000	+50	POSITION 1	NO FLAPS
1-2393947-2	A	3000	+50	POSITION 2	NO FLAPS
1-2393947-3	A	3000	+50	POSITION 1	FLAPS OPEN LEFT
1-2393947-4	A	3000	+50	POSITION 2	FLAPS OPEN LEFT
1-2393947-5	A	3000	+50	POSITION 1	FLAPS OPEN RIGHT
1-2393947-6	A	3000	+50	POSITION 2	FLAPS OPEN RIGHT

WIRING SCHEDULE FOR SIGNAL CABLE:
Belegungsplan für Signalkabel:

Pin No	Identification	Wire colour	Wire section
1	LED GN	GN	0.5mm ²
2	LED RD	YE	0.5mm ²
3	-	-	-
4	GND LED	BK/OR	0.5mm ²
5	LED W T	WH	0.5mm ²
6	TDC+	OR	0.5mm ²
7	Proxi out	BU	0.5mm ²
8	TDC ground	GY	0.5mm ²
9	TDC-	RD	0.5mm ²
10	T AC	WH/BU	0.5mm ²
11	PE S	BK	0.5mm ²
12	CP out	VO	0.5mm ²

WIRING SCHEDULE:
Belegungsplan:

CAVITY-NO.	IDENTIFICATION	WIRE COLOUR	WIRE SECTION
1	L1	RED	6mm ² (ITEM 17)
2	L2/N	BLACK	6mm ² (ITEM 17)
3	GROUND/EARTH	BLACK	25mm ² (ITEM 19)
8	DC+	ORANGE	70mm ² (ITEM 18)
9	DC-	ORANGE	70mm ² (ITEM 18)

- NOTES**
- STRIPPED ONLY OUTER JACKET AND BRAID. ELECTRICAL TESTING IS ACCORDING TO APPLICATION SPECIFICATION.
 - APPLICATION SPECIFICATION: 114-94722 CHARGE INLET COMBO 1 IEC 62196-3.
 - CUTTING LENGTHS TO BE FIXED BY MANUFACTURING.
 - MANUFACTURING CODE: TE PART NO., CURRENT REV. LEVEL AND DATE CODE (DD.MM.YY). TO BE PRINTED ON LABEL (ITEM 21). LABEL TO BE APPLIED TO THE CABLE AFTER SUCCESSFUL ELECTRICAL TEST.
 - FLAP ASSY (ITEM 15/16) WILL BE NOT MOUNTED AS SHOWN BUT ATTACHED INTO PACKAGING.

LABEL LEGEND:
Label Beschriftung:

STE

TE PN: X-2393947-Y Rev. DD/MM/YY
ELECTRICAL TEST PASSED

TE PART NO., CURRENT REVISION
TE Teilenummer, aktuelle Revision

PRODUCTION DATE
Produktionsdatum

3m	3m	3m	3m	3m	3m	1.5m	1.5m	1.5m	1.5m	1.5m	1.5m	SIGNAL CABLE	34
3m	3m	3m	3m	3m	3m	1.5m	1.5m	1.5m	1.5m	1.5m	1.5m	SIGNAL CABLE	33
3m	3m	3m	3m	3m	3m	1.5m	1.5m	1.5m	1.5m	1.5m	1.5m	SIGNAL CABLE	32
3m	3m	3m	3m	3m	3m	1.5m	1.5m	1.5m	1.5m	1.5m	1.5m	SIGNAL CABLE	31
3m	3m	3m	3m	3m	3m	1.5m	1.5m	1.5m	1.5m	1.5m	1.5m	SIGNAL CABLE	30
3m	3m	3m	3m	3m	3m	1.5m	1.5m	1.5m	1.5m	1.5m	1.5m	SIGNAL CABLE	29
3m	3m	3m	3m	3m	3m	1.5m	1.5m	1.5m	1.5m	1.5m	1.5m	SIGNAL CABLE	28
3m	3m	3m	3m	3m	3m	1.5m	1.5m	1.5m	1.5m	1.5m	1.5m	SIGNAL CABLE	27
3m	3m	3m	3m	3m	3m	1.5m	1.5m	1.5m	1.5m	1.5m	1.5m	SIGNAL CABLE	26
3m	3m	3m	3m	3m	3m	1.5m	1.5m	1.5m	1.5m	1.5m	1.5m	SIGNAL CABLE	25
3m	3m	3m	3m	3m	3m	1.5m	1.5m	1.5m	1.5m	1.5m	1.5m	SIGNAL CABLE	24
1	1	1	1	1	1	1	1	1	1	1	1	12POS.MICRO MNL.REPT HSG	23
11	11	11	11	11	11	11	11	11	11	11	11	TERMINAL MICRO MATE N LOCK	22
1	1	1	1	1	1	1	1	1	1	1	1	LABLE HELL	21
1	1	1	1	1	1	1	1	1	1	1	1	CAB TIE, CLIP, HELL, T18R-HR-NL6	20
3m	3m	3m	3m	3m	3m	1.5m	1.5m	1.5m	1.5m	1.5m	1.5m	PE H8S CABLE.25 SDMM	19
6m	6m	6m	6m	6m	6m	3m	3m	3m	3m	3m	3m	70 mm ² Huber-Suhner	18
3m	3m	3m	3m	3m	3m	1.5m	1.5m	1.5m	1.5m	1.5m	1.5m	2x6 mm ² COROPLAST	17
1	1	-	-	-	-	1	1	-	-	-	-	FLAP. ASSY. INLET COMBO 1, RIGHT	16
-	-	1	1	-	-	-	-	1	1	-	-	FLAP. ASSY. INLET COMBO 1, LEFT	15
1	1	1	1	1	1	1	1	1	1	1	1	MDS BLINDSTOPFEN	14
1	1	1	1	1	1	1	1	1	1	1	1	COVER, CABLE SEAL, COMBO DC	13
1	1	1	1	1	1	1	1	1	1	1	1	FAMILY SEAL, COMBO DC	12
1	1	1	1	1	1	1	1	1	1	1	1	COVER, CABLE SEAL, AC	11
1	1	1	1	1	1	1	1	1	1	1	1	STRAIN RELIEF, AC	10
1	1	1	1	1	1	1	1	1	1	1	1	Family Seal, AC	9
1	-	1	-	1	-	1	-	1	-	1	-	CABLE EXIT, RECT, COMBO RIGHT	8
-	1	-	1	-	1	-	1	-	1	-	1	CABLE EXIT, RECT, COMBO LEFT	7
2	2	2	2	2	2	2	2	2	2	2	2	DIA 8MM,PIN TERMINAL	6
2	2	2	2	2	2	2	2	2	2	2	2	SEALING	5
1	1	1	1	1	1	1	1	1	1	1	1	PROTECTION CAP CHARGE INLETS	4
1	1	1	1	1	1	1	1	1	1	1	1	DIA 2.8MM,PIN TERMINAL,PE 25SDMM	3
2	2	2	2	2	2	2	2	2	2	2	2	DIA 3.6MM,PIN TERMINAL	2
1	1	1	1	1	1	1	1	1	1	1	1	COMBO 1,CHARGE INLET ASSY, LED	1

THIS DRAWING IS A CONTROLLED DOCUMENT.

DWN BY: SARATH 12 JUL 2021

CHK M. BLOCK

APVD G. LINDEMANN

PRODUCT SPEC 108-94838

APPLICATION SPEC 114-94722

WEIGHT

CUSTOMER DRAWING

TE Connectivity

CHARGING INLET CCS1, CABLE ASSY

SIZE: 00779 C=2393947

SCALE: 1:1 SHEET 1 OF 1 REV: A2