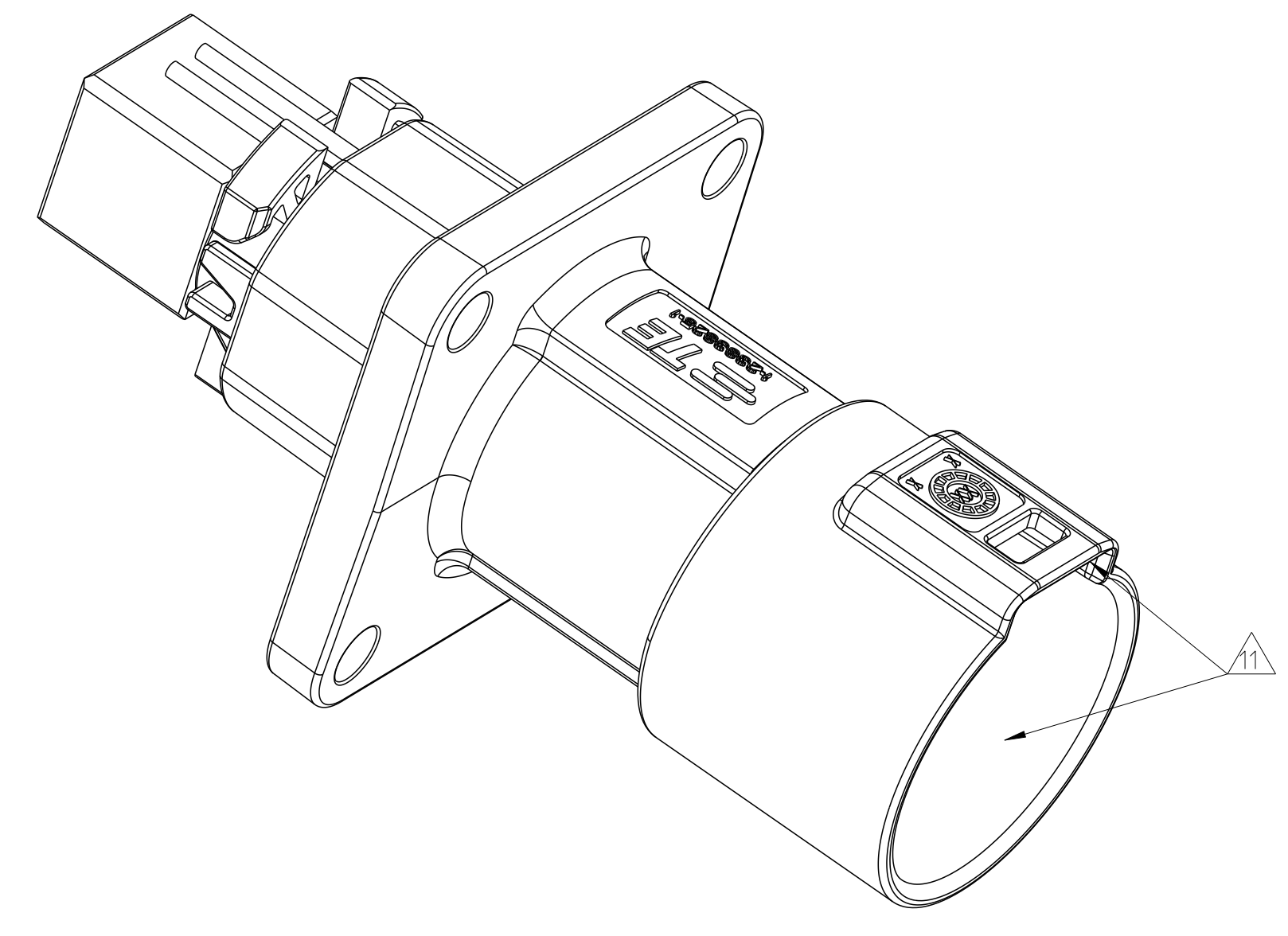
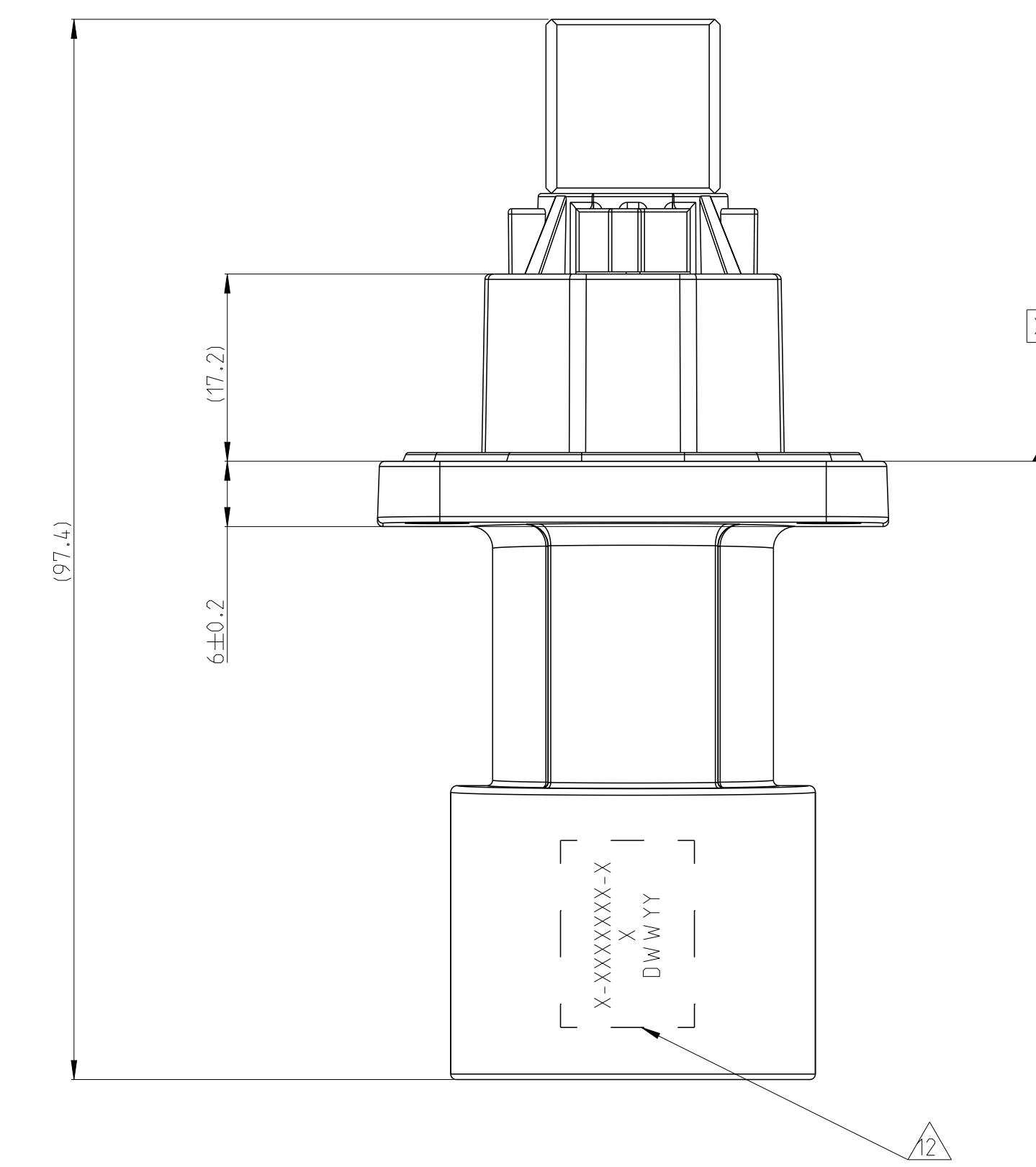
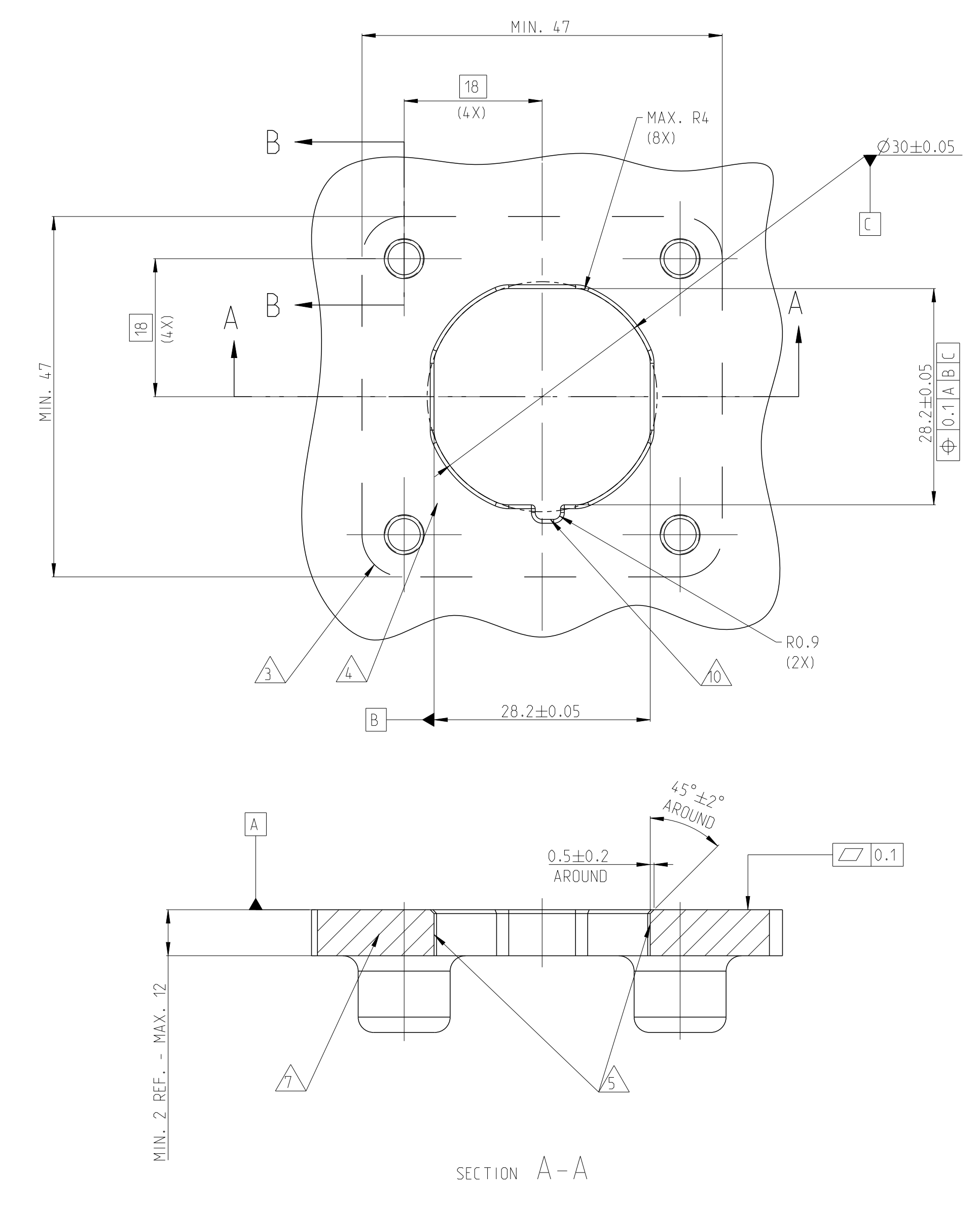
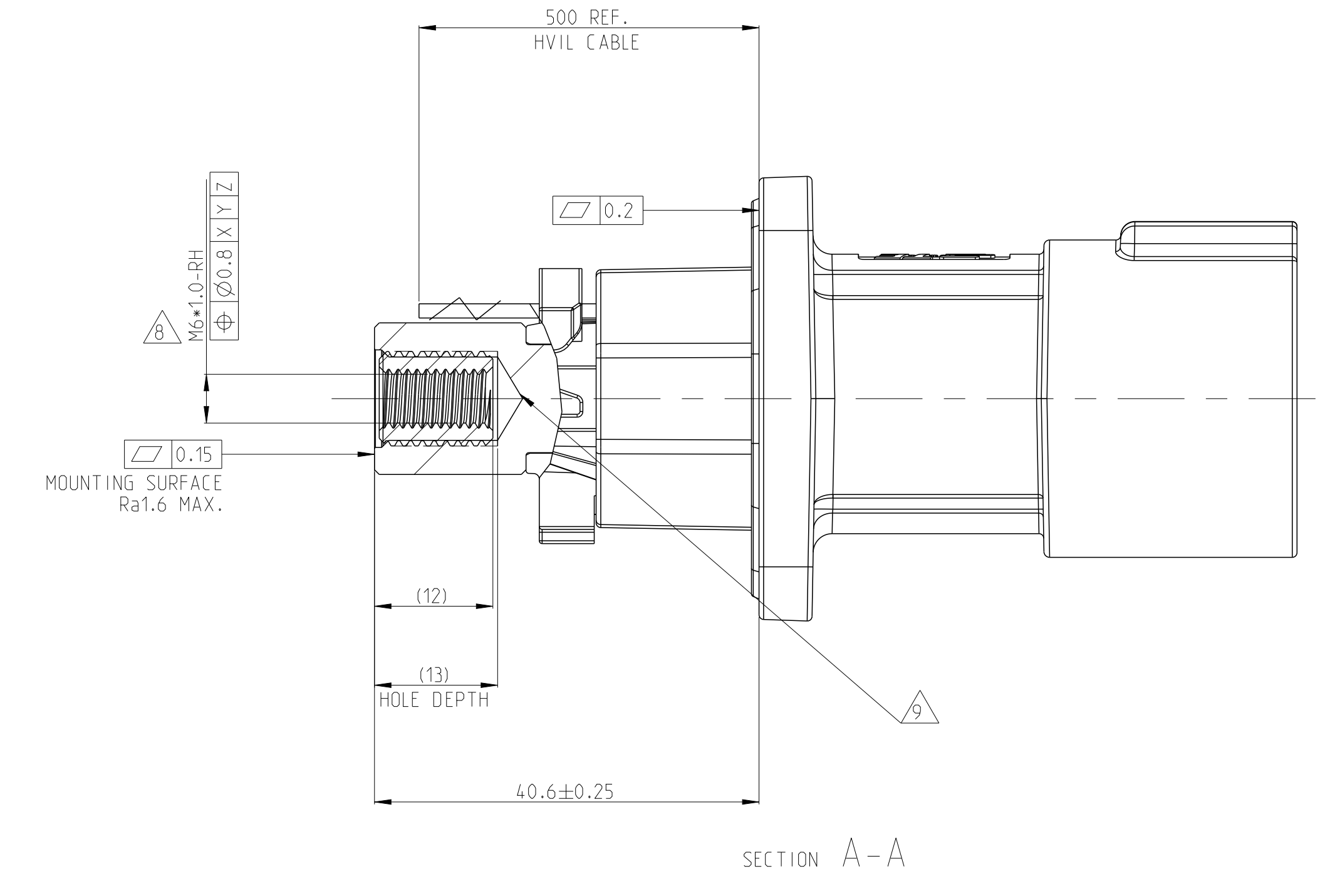
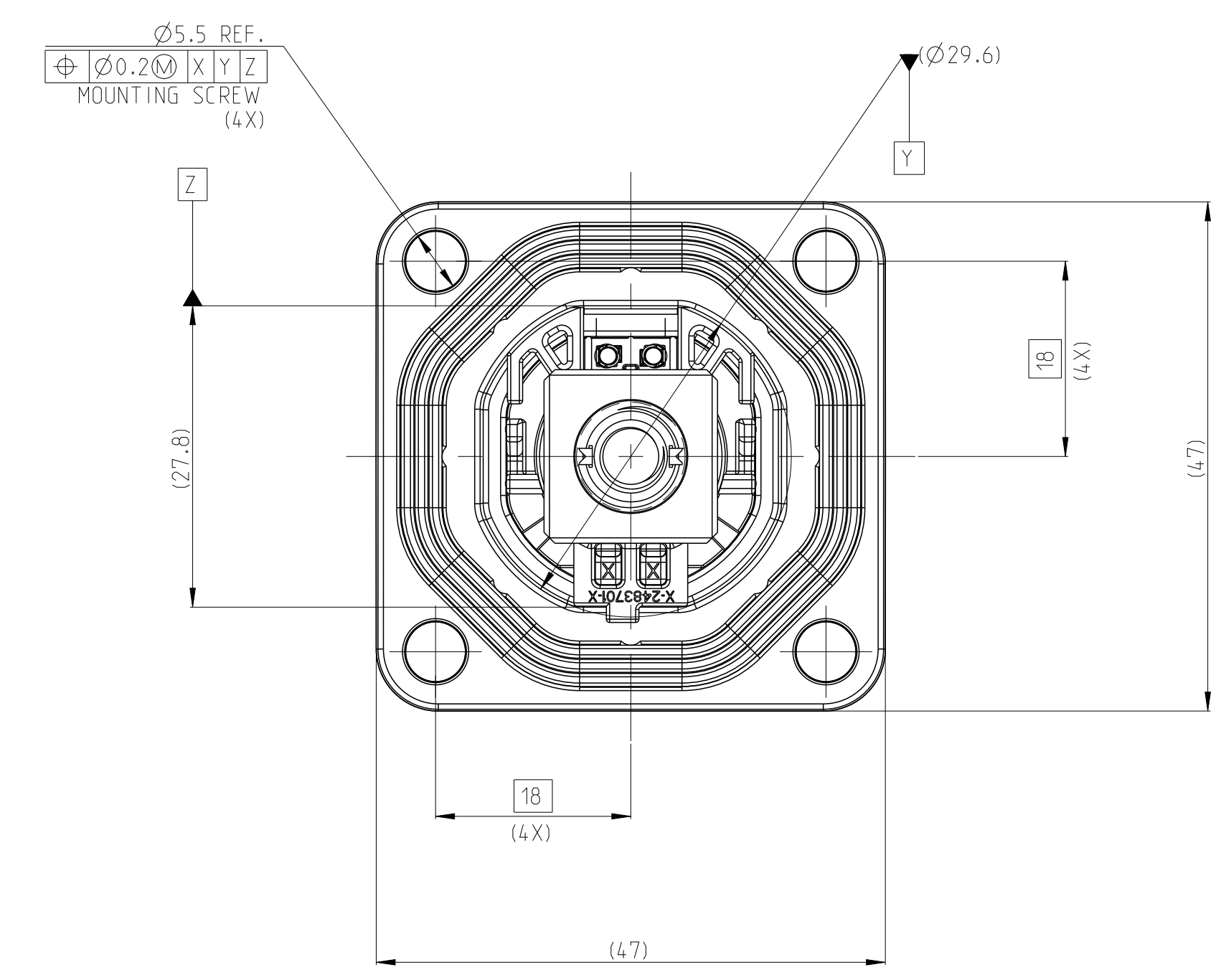


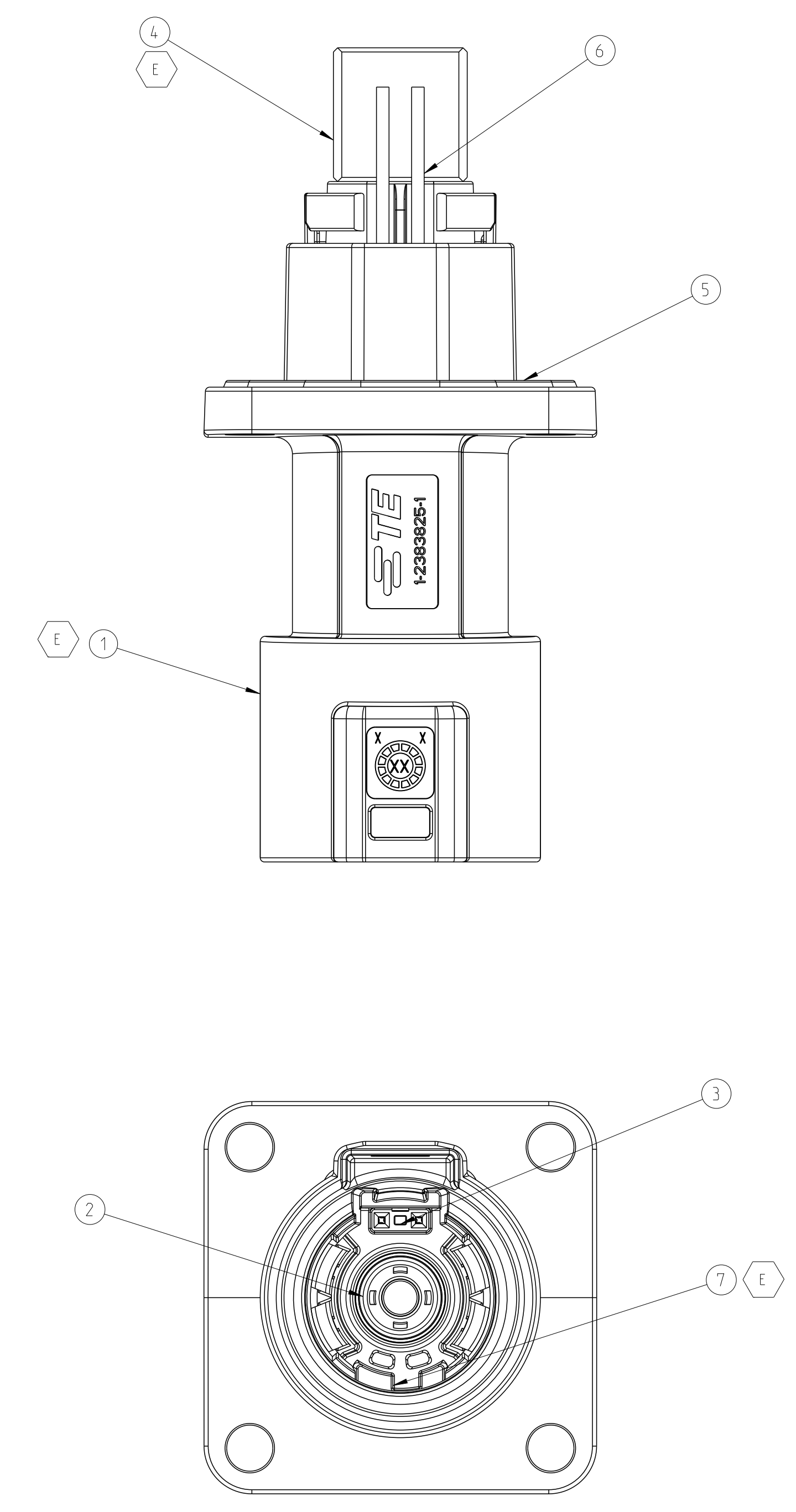
REVISIONS				
REV	DATE	DESCRIPTION	BY	APPD
B	24.08.23	REBAR THREADED HEIGHT CHANGED AND CONTACT ADDED: CAP MATERIAL CHANGED: LUBRICATION FROM OIL TO GREASE ADDED	C.C.	Z.T.
C	30.08.23	CODE HOUSING IMPROVEMENT ON PIN RETENTION TORQUE	C.C.	Z.T.
D	30.08.23	HEADER HOUSING COATING CHANGED: LUBRICANT ADDED: MATH INFO ADDED: PART DIM. METRIC DIMENSIONS: ASSEMBLY VERSION ADDED	C.C.	Z.T.
E	14.09.24	PEN-24-206191	S.T.	Z.T.

ADAPTER PLATE - HVP-HD1000 1POS HEADER INTERFACE



8--1 AS SHOWN

TE-ASSY-NO.	TE REV.	CODE	DESCRIPTION	DESCRIPTION	CODE	MATERIAL	SURFACE COLOR / TREATMENT	WEIGHT (g)	QTY	ITEM
9-2394060-3	E	M	1POS.PIN DIA 10.0 HDR ASSY.180DEG	CODE HOUSING FOLLOW 8-2394060-1	M	PA10T-GF	AQUA RED	(14.0)	1	7
9-2394060-2	E	L	1POS.PIN DIA 10.0 HDR ASSY.180DEG	CODE HOUSING FOLLOW 8-2394060-1	L	PA10T-GF	AQUA BROWN	(14.0)	1	7
9-2394060-1	E	K	1POS.PIN DIA 10.0 HDR ASSY.180DEG	CODE HOUSING FOLLOW 8-2394060-1	K	PA10T-GF	AQUA GREEN	(14.0)	1	7
8-2394060-9	E	J	1POS.PIN DIA 10.0 HDR ASSY.180DEG	CODE HOUSING FOLLOW 8-2394060-1	J	PA10T-GF	ORANGE	(14.0)	1	7
8-2394060-8	E	H	1POS.PIN DIA 10.0 HDR ASSY.180DEG	CODE HOUSING FOLLOW 8-2394060-1	H	PA10T-GF	YELLOW	(14.0)	1	7
8-2394060-7	E	G	1POS.PIN DIA 10.0 HDR ASSY.180DEG	CODE HOUSING FOLLOW 8-2394060-1	G	PA10T-GF	RED	(14.0)	1	7
8-2394060-6	E	F	1POS.PIN DIA 10.0 HDR ASSY.180DEG	CODE HOUSING FOLLOW 8-2394060-1	F	PA10T-GF	BROWN	(14.0)	1	7
8-2394060-5	E	E	1POS.PIN DIA 10.0 HDR ASSY.180DEG	CODE HOUSING FOLLOW 8-2394060-1	E	PA10T-GF	GREEN	(14.0)	1	7
8-2394060-4	E	D	1POS.PIN DIA 10.0 HDR ASSY.180DEG	CODE HOUSING FOLLOW 8-2394060-1	D	PA10T-GF	PURPLE	(14.0)	1	7
8-2394060-3	E	C	1POS.PIN DIA 10.0 HDR ASSY.180DEG	CODE HOUSING FOLLOW 8-2394060-1	C	PA10T-GF	BLUE	(14.0)	1	7
8-2394060-2	E	B	1POS.PIN DIA 10.0 HDR ASSY.180DEG	CODE HOUSING FOLLOW 8-2394060-1	B	PA10T-GF	NATURE	(14.0)	1	7
8-2394060-1	E	A	1POS.PIN DIA 10.0 HDR ASSY.180DEG	CODE HOUSING HVIL WIRE (LEONI MOCAR 180 E 0.550MM, WHITE ACCORDING TO LV112) WITH TERMINAL FACE SEAL BUSBAR, TOP SIDE HEADER TPA FINGER PROTECTION CAP HEADER HOUSING 180DEG	A	PA10T-GF	BLACK	(14.0)	1	7
									2	6
									1	5
									1	4
									1	3
									1	2
									1	1



- 1. SUITABLE COUNTERPART OF HVP-HD1000 REFER TO: KIT DRAWING OF PLUG PRE ASSY WITH TPA: 2394115 (MECHANICAL) AND 241905 (EMPT) DRAWING OF PLUG PRE ASSY WITHOUT TPA: 2409547 DRAWING OF TPA: 2394116
- △ CODING VARIANT
- △ MOUNTING SPACE FOR HEADER
- △ SEALING AREA: NO BURR, TOOL PARTING, SHRINKAGE, CAVITIES AND GATE MARKS PERMITTED. SURFACE ROUGHNESS: Ra=1.6
- △ DRAFT ANGLE UP TO 0.5° PERMITTED
- △ MOUNTING SCREW M6 (RECOMMENDED SCREW PLATING: ZINC-NICKEL). SCREW TYPE UP TO MANUFACTURER
- △ MATERIAL: CORROSION RESISTANT, ELECTROCONDUCTIVE
- △ SCREW M6 FOR BUSBAR CONNECTION
- △ ALL THREAD HOLES ARE BLIND HOLES
- △ INTERFACE PANEL CODE SEE SHEET 5
- △ LUBRICANT APPLIED ON THE RADIAL SEAL AREA AND CPA AREA
- △ ASSEMBLY PN: X-XXXXXX-X ASSEMBLY REV: X DATE CODE: D W Y Y

THIS DRAWING IS A CONTROLLED DOCUMENT.

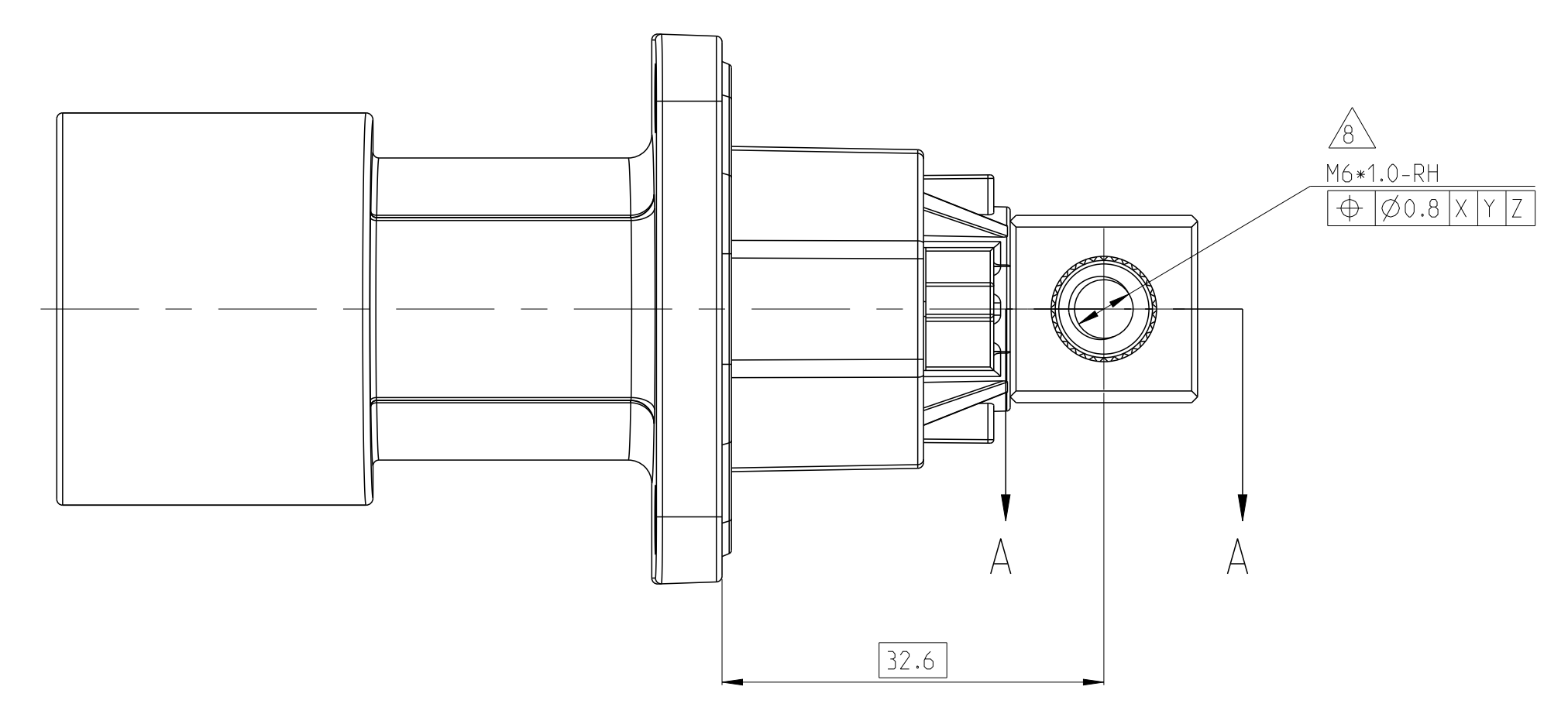
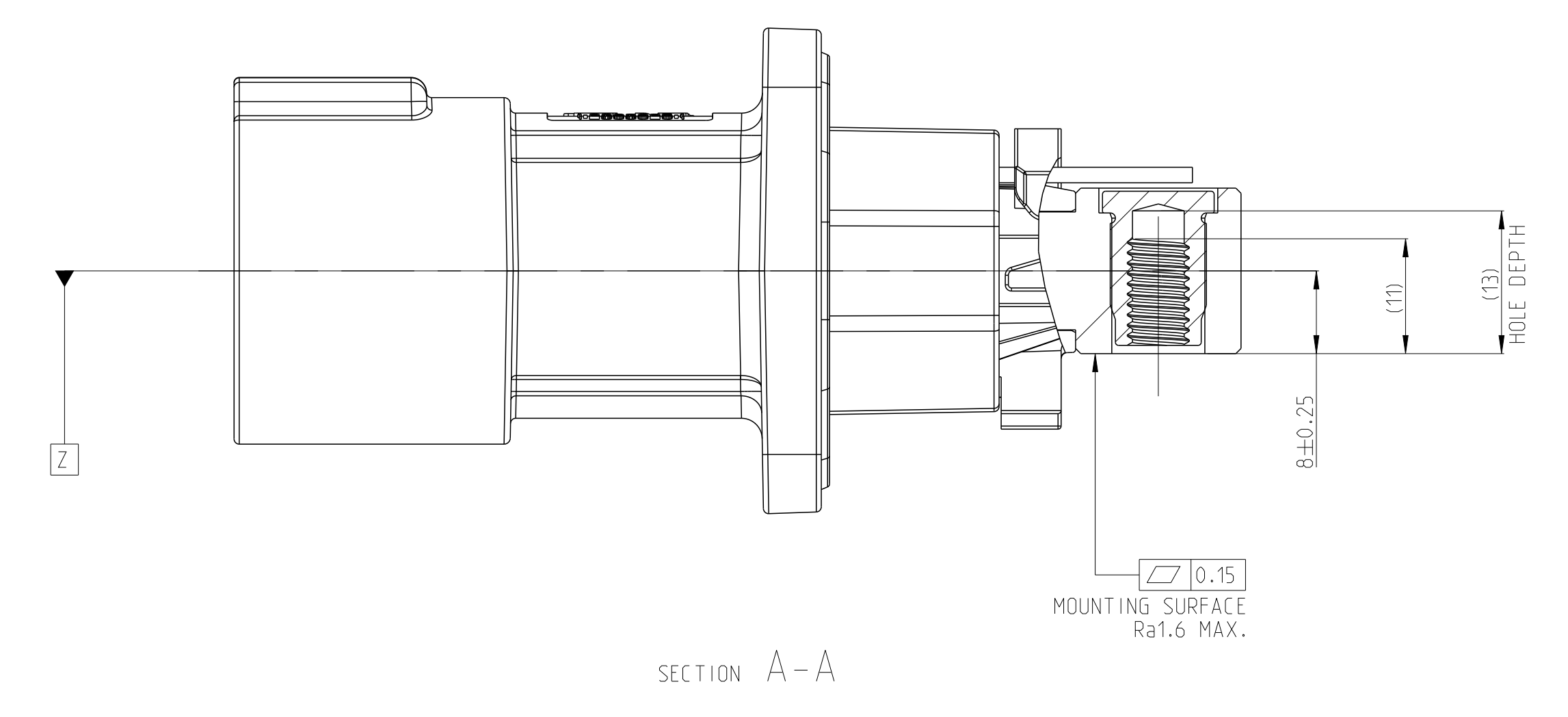
DATE: 30AUG2021	REV: 1	BY: C.C.	APPD: Z.T.
DATE: 30AUG2021	REV: 2	BY: C.C.	APPD: Z.T.
DATE: 30AUG2021	REV: 3	BY: C.C.	APPD: Z.T.

TE Connectivity

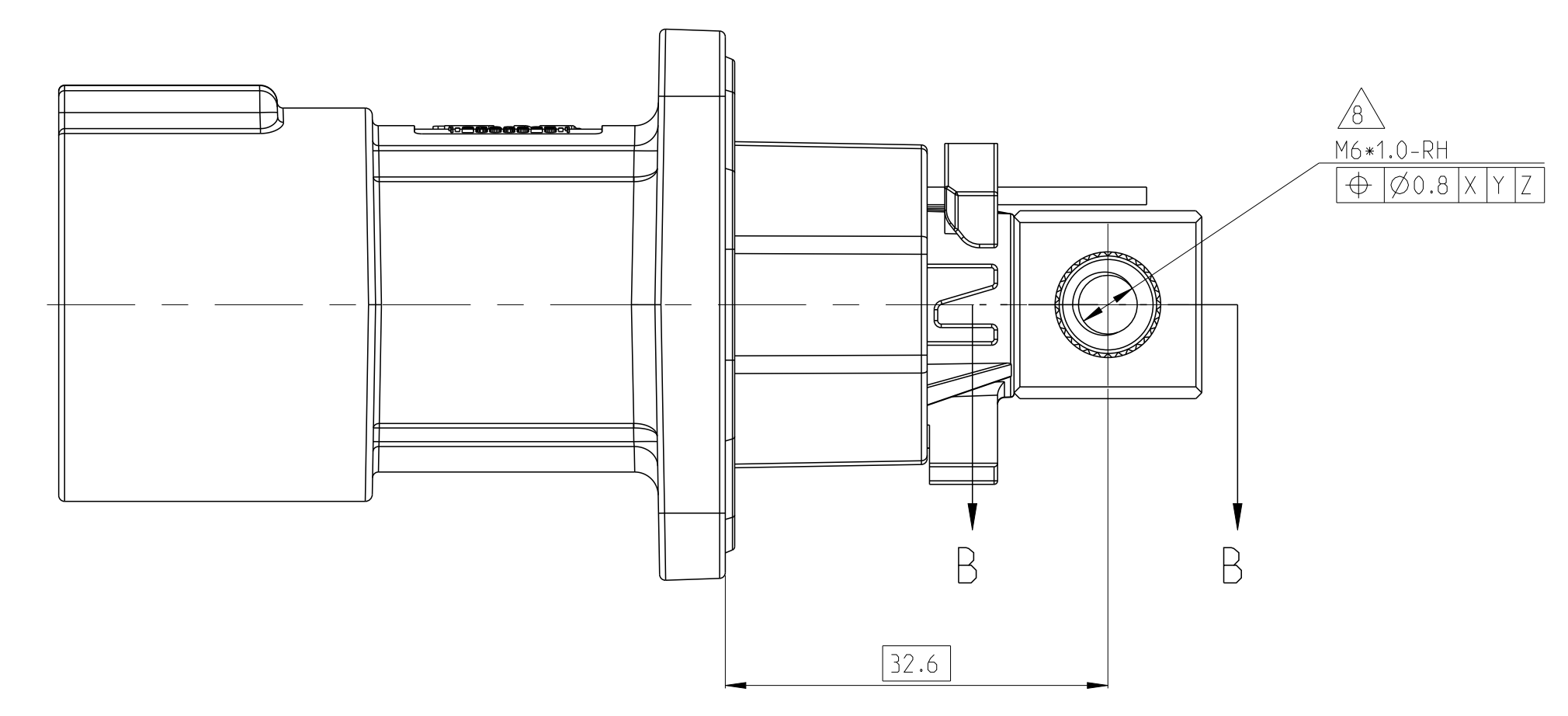
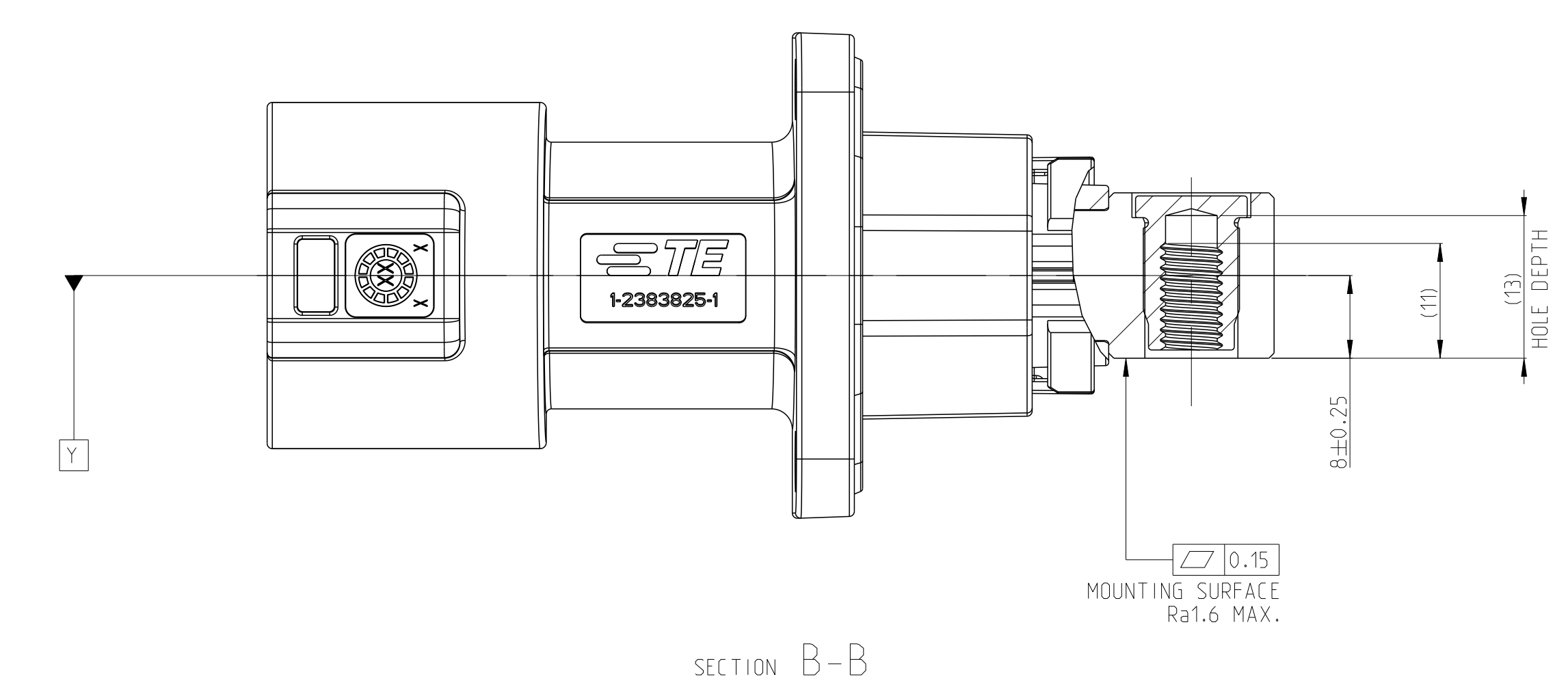
1POS.PIN DIA 10.0 HDR ASSY.180DEG HVP-HD1000

SCALE: 2:1 SHEET 1 OF 5 REV 1

REVISIONS			
REV	DATE	BY	APPD
1			
SEE SHEET 1			



1. MISSING DIMENSIONS REFER TO 8-2394060-1



1. MISSING DIMENSIONS REFER TO 8-2394060-1

TE-ASSY-NO.	TE REV.	CODE	DESCRIPTION	DESCRIPTION	CODE	MATERIAL	SURFACE COLOR /TREATMENT	WEIGHT (g)	QTY	ITEM
1-2394060-3	E	M	1POS.PIN DIA 10.0 HDR ASSY.180DEG	CODE HOUSING FOLLOW 2394060-1	M	PA10T-GF	AQUA RED	(14.0)	1	7
									-	1-6
1-2394060-2	E	L	1POS.PIN DIA 10.0 HDR ASSY.180DEG	CODE HOUSING FOLLOW 2394060-1	L	PA10T-GF	AQUA BROWN	(14.0)	1	7
									-	1-6
1-2394060-1	E	K	1POS.PIN DIA 10.0 HDR ASSY.180DEG	CODE HOUSING FOLLOW 2394060-1	K	PA10T-GF	AQUA GREEN	(14.0)	1	7
									-	1-6
2394060-9	E	J	1POS.PIN DIA 10.0 HDR ASSY.180DEG	CODE HOUSING FOLLOW 2394060-1	J	PA10T-GF	ORANGE	(14.0)	1	7
									-	1-6
2394060-8	E	H	1POS.PIN DIA 10.0 HDR ASSY.180DEG	CODE HOUSING FOLLOW 2394060-1	H	PA10T-GF	YELLOW	(14.0)	1	7
									-	1-6
2394060-7	E	G	1POS.PIN DIA 10.0 HDR ASSY.180DEG	CODE HOUSING FOLLOW 2394060-1	G	PA10T-GF	RED	(14.0)	1	7
									-	1-6
2394060-6	E	F	1POS.PIN DIA 10.0 HDR ASSY.180DEG	CODE HOUSING FOLLOW 2394060-1	F	PA10T-GF	BROWN	(14.0)	1	7
									-	1-6
2394060-5	E	E	1POS.PIN DIA 10.0 HDR ASSY.180DEG	CODE HOUSING FOLLOW 2394060-1	E	PA10T-GF	GREEN	(14.0)	1	7
									-	1-6
2394060-4	E	D	1POS.PIN DIA 10.0 HDR ASSY.180DEG	CODE HOUSING FOLLOW 2394060-1	D	PA10T-GF	PURPLE	(14.0)	1	7
									-	1-6
2394060-3	E	C	1POS.PIN DIA 10.0 HDR ASSY.180DEG	CODE HOUSING FOLLOW 2394060-1	C	PA10T-GF	BLUE	(14.0)	1	7
									-	1-6
2394060-2	E	B	1POS.PIN DIA 10.0 HDR ASSY.180DEG	CODE HOUSING FOLLOW 2394060-1	B	PA10T-GF	NATURE	(14.0)	1	7
									-	1-6
2394060-1	E	A	1POS.PIN DIA 10.0 HDR ASSY.180DEG	CODE HOUSING HVIL WIRE (LEDN) MOCAR 180 E 0.55QMM. WHITE ACCORDING TO LV112) WITH TERMINAL	A	PA10T-GF	BLACK	(14.0)	1	7
				FACE SEAL	-	SILICONE	RED		2	6
				BUSBAR, FRONT SIDE	-	COPPER	AG PLATED		1	5
				HEADER TPA	-	PA66-GF	RED		1	4
				FINGER PROTECTION CAP	-	PA66	BLACK		1	3
				HEADER HOUSING 180DEG	-	AL-ALLOY	PASSIVATION		1	2
					-				1	1

3-2394060-3	E	M	1POS.PIN DIA 10.0 HDR ASSY.180DEG	CODE HOUSING FOLLOW 2-2394060-1	M	PA10T-GF	AQUA RED	(14.0)	1	7
									-	1-6
3-2394060-2	E	L	1POS.PIN DIA 10.0 HDR ASSY.180DEG	CODE HOUSING FOLLOW 2-2394060-1	L	PA10T-GF	AQUA BROWN	(14.0)	1	7
									-	1-6
3-2394060-1	E	K	1POS.PIN DIA 10.0 HDR ASSY.180DEG	CODE HOUSING FOLLOW 2-2394060-1	K	PA10T-GF	AQUA GREEN	(14.0)	1	7
									-	1-6
2-2394060-9	E	J	1POS.PIN DIA 10.0 HDR ASSY.180DEG	CODE HOUSING FOLLOW 2-2394060-1	J	PA10T-GF	ORANGE	(14.0)	1	7
									-	1-6
2-2394060-8	E	H	1POS.PIN DIA 10.0 HDR ASSY.180DEG	CODE HOUSING FOLLOW 2-2394060-1	H	PA10T-GF	YELLOW	(14.0)	1	7
									-	1-6
2-2394060-7	E	G	1POS.PIN DIA 10.0 HDR ASSY.180DEG	CODE HOUSING FOLLOW 2-2394060-1	G	PA10T-GF	RED	(14.0)	1	7
									-	1-6
2-2394060-6	E	F	1POS.PIN DIA 10.0 HDR ASSY.180DEG	CODE HOUSING FOLLOW 2-2394060-1	F	PA10T-GF	BROWN	(14.0)	1	7
									-	1-6
2-2394060-5	E	E	1POS.PIN DIA 10.0 HDR ASSY.180DEG	CODE HOUSING FOLLOW 2-2394060-1	E	PA10T-GF	GREEN	(14.0)	1	7
									-	1-6
2-2394060-4	E	D	1POS.PIN DIA 10.0 HDR ASSY.180DEG	CODE HOUSING FOLLOW 2-2394060-1	D	PA10T-GF	PURPLE	(14.0)	1	7
									-	1-6
2-2394060-3	E	C	1POS.PIN DIA 10.0 HDR ASSY.180DEG	CODE HOUSING FOLLOW 2-2394060-1	C	PA10T-GF	BLUE	(14.0)	1	7
									-	1-6
2-2394060-2	E	B	1POS.PIN DIA 10.0 HDR ASSY.180DEG	CODE HOUSING FOLLOW 2-2394060-1	B	PA10T-GF	NATURE	(14.0)	1	7
									-	1-6
2-2394060-1	E	A	1POS.PIN DIA 10.0 HDR ASSY.180DEG	CODE HOUSING HVIL WIRE (LEDN) MOCAR 180 E 0.55QMM. WHITE ACCORDING TO LV112) WITH TERMINAL	A	PA10T-GF	BLACK	(14.0)	1	7
				FACE SEAL	-	SILICONE	RED		2	6
				BUSBAR, FRONT SIDE	-	COPPER	AG PLATED		1	5
				HEADER TPA	-	PA66-GF	RED		1	4
				FINGER PROTECTION CAP	-	PA66	BLACK		1	3
				HEADER HOUSING 180DEG	-	AL-ALLOY	PASSIVATION		1	2
					-				1	1

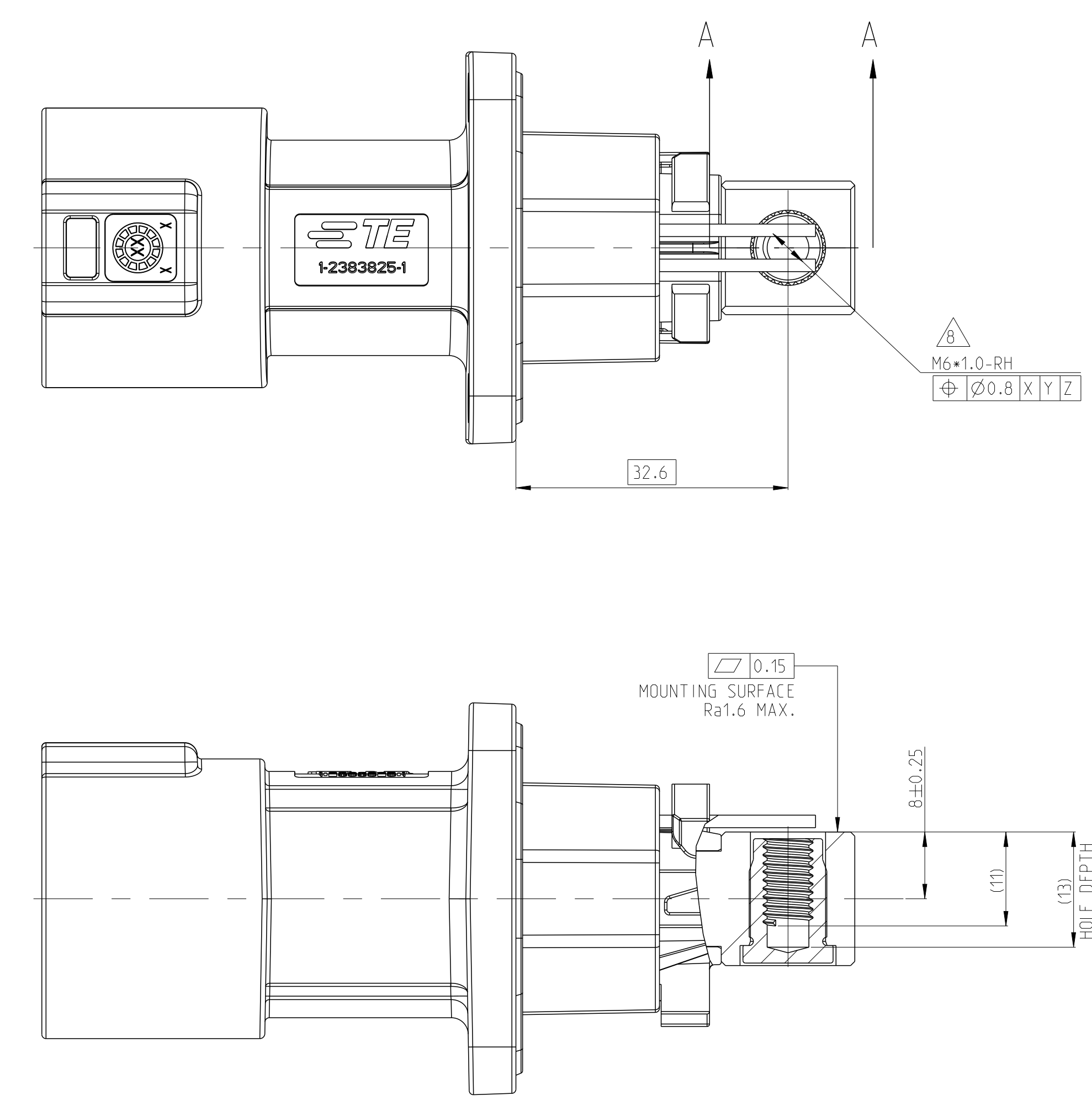
THIS DRAWING IS A CONTROLLED DOCUMENT. DATE: 30AUG2021. CHG: L.L. 30AUG2021. APPROV: L.V. 30AUG2021.

DIMENSIONS: UNLESS OTHERWISE SPECIFIED, DIMENSIONS ARE IN MILLIMETERS. TYPICAL DIMENSIONS: Ø0.5, ±0.1, ±0.05, ±0.025, ±0.015, ±0.01, ±0.005, ±0.0025, ±0.0015, ±0.001.

MATERIAL: SEE TABLE.

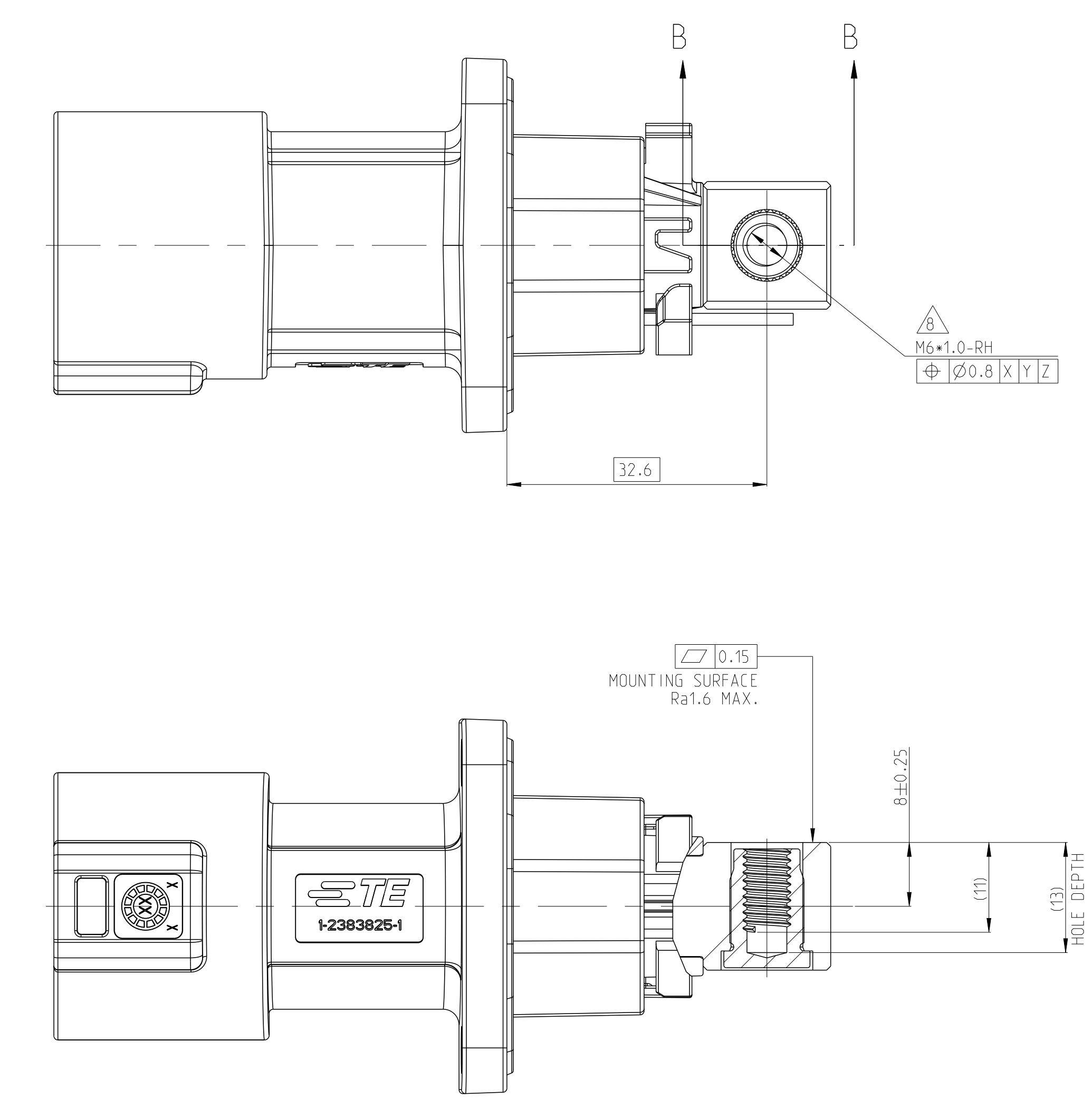
TE CONNECTIVITY: 1POS.PIN DIA 10.0 HDR ASSY.180DEG HVP-HD1000. PRODUCT SPEC: 108-160341. APPLICATION SPEC: 114-160181. SIZE: A0. CASE CODE: 00779. DRAWING NO: 2394060. SCALE: 2:1. SHEET: 2 OF 5. REV: E.

REVISIONS			
REV	DATE	BY	APPD
1			
SEE SHEET 1			



SECTION A-A

1. MISSING DIMENSIONS REFER TO 8-2394060-1



SECTION B-B

1. MISSING DIMENSIONS REFER TO 8-2394060-1

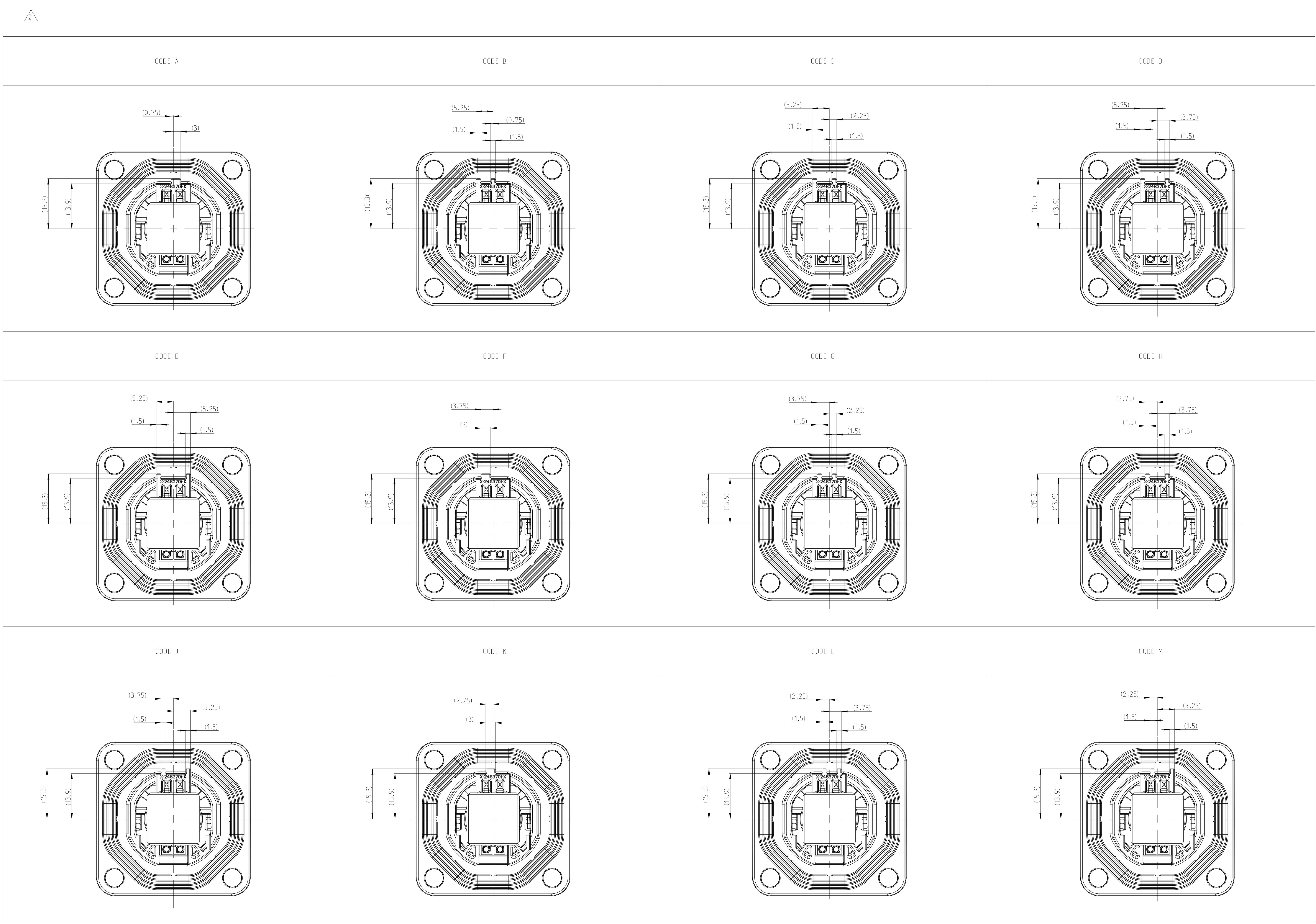
TE-ASSY-NO.	TE REV.	CODE	DESCRIPTION	DESCRIPTION	CODE	MATERIAL	SURFACE COLOR /TREATMENT	WEIGHT (g)	QTY	ITEM
5-2394060-3	E	M	1POS.PIN DIA 10.0 HDR ASSY.180DEG	CODE HOUSING FOLLOW 4-2394060-1	M	PA10T-GF	AQUA RED	(140)	1	7
									-	1-6
5-2394060-2	E	L	1POS.PIN DIA 10.0 HDR ASSY.180DEG	CODE HOUSING FOLLOW 4-2394060-1	L	PA10T-GF	AQUA BROWN	(140)	1	7
									-	1-6
5-2394060-1	E	K	1POS.PIN DIA 10.0 HDR ASSY.180DEG	CODE HOUSING FOLLOW 4-2394060-1	K	PA10T-GF	AQUA GREEN	(140)	1	7
									-	1-6
4-2394060-9	E	J	1POS.PIN DIA 10.0 HDR ASSY.180DEG	CODE HOUSING FOLLOW 4-2394060-1	J	PA10T-GF	ORANGE	(140)	1	7
									-	1-6
4-2394060-8	E	H	1POS.PIN DIA 10.0 HDR ASSY.180DEG	CODE HOUSING FOLLOW 4-2394060-1	H	PA10T-GF	YELLOW	(140)	1	7
									-	1-6
4-2394060-7	E	G	1POS.PIN DIA 10.0 HDR ASSY.180DEG	CODE HOUSING FOLLOW 4-2394060-1	G	PA10T-GF	RED	(140)	1	7
									-	1-6
4-2394060-6	E	F	1POS.PIN DIA 10.0 HDR ASSY.180DEG	CODE HOUSING FOLLOW 4-2394060-1	F	PA10T-GF	BROWN	(140)	1	7
									-	1-6
4-2394060-5	E	E	1POS.PIN DIA 10.0 HDR ASSY.180DEG	CODE HOUSING FOLLOW 4-2394060-1	E	PA10T-GF	GREEN	(140)	1	7
									-	1-6
4-2394060-4	E	D	1POS.PIN DIA 10.0 HDR ASSY.180DEG	CODE HOUSING FOLLOW 4-2394060-1	D	PA10T-GF	PURPLE	(140)	1	7
									-	1-6
4-2394060-3	E	C	1POS.PIN DIA 10.0 HDR ASSY.180DEG	CODE HOUSING FOLLOW 4-2394060-1	C	PA10T-GF	BLUE	(140)	1	7
									-	1-6
4-2394060-2	E	B	1POS.PIN DIA 10.0 HDR ASSY.180DEG	CODE HOUSING FOLLOW 4-2394060-1	B	PA10T-GF	NATURE	(140)	1	7
									-	1-6
4-2394060-1	E	A	1POS.PIN DIA 10.0 HDR ASSY.180DEG	CODE HOUSING HV1L WIRE (LEONI MOCAR 180 E 0.550MM. WHITE ACCORDING TO LV112) WITH TERMINAL FACE SEAL	A	PA10T-GF	BLACK	(140)	1	7
									2	6
									1	5
									1	4
									1	3
									1	2
									1	1

TE-ASSY-NO.	TE REV.	CODE	DESCRIPTION	DESCRIPTION	CODE	MATERIAL	SURFACE COLOR /TREATMENT	WEIGHT (g)	QTY	ITEM
7-2394060-3	E	M	1POS.PIN DIA 10.0 HDR ASSY.180DEG	CODE HOUSING FOLLOW 6-2394060-1	M	PA10T-GF	AQUA RED	(140)	1	7
									-	1-6
7-2394060-2	E	L	1POS.PIN DIA 10.0 HDR ASSY.180DEG	CODE HOUSING FOLLOW 6-2394060-1	L	PA10T-GF	AQUA BROWN	(140)	1	7
									-	1-6
7-2394060-1	E	K	1POS.PIN DIA 10.0 HDR ASSY.180DEG	CODE HOUSING FOLLOW 6-2394060-1	K	PA10T-GF	AQUA GREEN	(140)	1	7
									-	1-6
6-2394060-9	E	J	1POS.PIN DIA 10.0 HDR ASSY.180DEG	CODE HOUSING FOLLOW 6-2394060-1	J	PA10T-GF	ORANGE	(140)	1	7
									-	1-6
6-2394060-8	E	H	1POS.PIN DIA 10.0 HDR ASSY.180DEG	CODE HOUSING FOLLOW 6-2394060-1	H	PA10T-GF	YELLOW	(140)	1	7
									-	1-6
6-2394060-7	E	G	1POS.PIN DIA 10.0 HDR ASSY.180DEG	CODE HOUSING FOLLOW 6-2394060-1	G	PA10T-GF	RED	(140)	1	7
									-	1-6
6-2394060-6	E	F	1POS.PIN DIA 10.0 HDR ASSY.180DEG	CODE HOUSING FOLLOW 6-2394060-1	F	PA10T-GF	BROWN	(140)	1	7
									-	1-6
6-2394060-5	E	E	1POS.PIN DIA 10.0 HDR ASSY.180DEG	CODE HOUSING FOLLOW 6-2394060-1	E	PA10T-GF	GREEN	(140)	1	7
									-	1-6
6-2394060-4	E	D	1POS.PIN DIA 10.0 HDR ASSY.180DEG	CODE HOUSING FOLLOW 6-2394060-1	D	PA10T-GF	PURPLE	(140)	1	7
									-	1-6
6-2394060-3	E	C	1POS.PIN DIA 10.0 HDR ASSY.180DEG	CODE HOUSING FOLLOW 6-2394060-1	C	PA10T-GF	BLUE	(140)	1	7
									-	1-6
6-2394060-2	E	B	1POS.PIN DIA 10.0 HDR ASSY.180DEG	CODE HOUSING FOLLOW 6-2394060-1	B	PA10T-GF	NATURE	(140)	1	7
									-	1-6
6-2394060-1	E	A	1POS.PIN DIA 10.0 HDR ASSY.180DEG	CODE HOUSING HV1L WIRE (LEONI MOCAR 180 E 0.550MM. WHITE ACCORDING TO LV112) WITH TERMINAL FACE SEAL	A	PA10T-GF	BLACK	(140)	1	7
									2	6
									1	5
									1	4
									1	3
									1	2
									1	1

THIS DRAWING IS A CONTROLLED DOCUMENT. DATE: 30AUG2021. DRAWN BY: J.L.L. CHECKED BY: J.L.L. APPROVED BY: J.L.L. DIMENSIONS: (mm) 0.5. TOLERANCES: UNLESS OTHERWISE SPECIFIED. DIMENSIONS: (mm) 0.5. TOLERANCES: UNLESS OTHERWISE SPECIFIED. MATERIAL: SEE TABLE. WEIGHT: SEE TABLE. CUSTOMER DRAWING. SCALE: 2:1. SHEET: 3 OF 5. REV: E.

STE TE Connectivity. 1POS.PIN DIA 10.0 HDR ASSY.180DEG HVP-HD1000. PART NO: 12383825-1. DATE: 14-160181. CASE CODE: 2394060. RESTRICTED TO: -.

REVISIONS			
P	LTN	DESCRIPTION	DATE
1		SEE SHEET 1	



THIS DRAWING IS A CONTROLLED DOCUMENT.

DATE	30AUG2021	BY	CLING
CHK	30AUG2021	APP'D	30AUG2021
REV	1	PRODUCT SPEC	108-16034-1
		APPLICATION SPEC	114-160181
		WEIGHT	SEE TABLE

STE TE Connectivity

NAME: 1POS.PIN DIA 10.0 HDR ASSY.180DEG
HVP-HD1000

SITE: CAE CODE: DRAWING NO: A0 00779 ©=2394060

MATERIAL: SEE TABLE

CUSTOMER DRAWING

SCALE: 2:1 SHEET 6 OF 5 REV E

REVISIONS			
NO.	DATE	DESCRIPTION	BY
1		SEE SHEET 1	

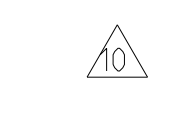


TABLE 6

CODE A	CODE B	CODE C	CODE D
CODE E	CODE F	CODE G	CODE H
CODE J	CODE K	CODE L	CODE M

THIS DRAWING IS A CONTROLLED DOCUMENT.

DATE	30AUG2021
CHK	30AUG2021
APPV	30AUG2021

DIMENSIONS: UNLESS OTHERWISE SPECIFIED
 DIM: INCHES
 TYP: DECIMAL
 DEC: 0.0001
 TOLERANCE: AS SHOWN
 UNLESS OTHERWISE SPECIFIED
 FINISH: AS SHOWN
 UNLESS OTHERWISE SPECIFIED
 MATERIAL: SEE TABLE
 WEIGHT: SEE TABLE
 CUSTOMER DRAWING

DATE: 30AUG2021
 CHK: 30AUG2021
 APPV: 30AUG2021
 NAME: 1POS.PIN DIA 10.0 HDR ASSY.180DEG HVP-HD1000
 PRODUCT SPEC: 108-160341
 APPLICATION SPEC: 114-160181
 SIZE: A0
 CASE CODE: 00779
 DRAWING NO: 2394060
 RESTRICTED TO: -
 SCALE: 2:1
 SHEET: 5 OF 5
 REV: E

TE Connectivity