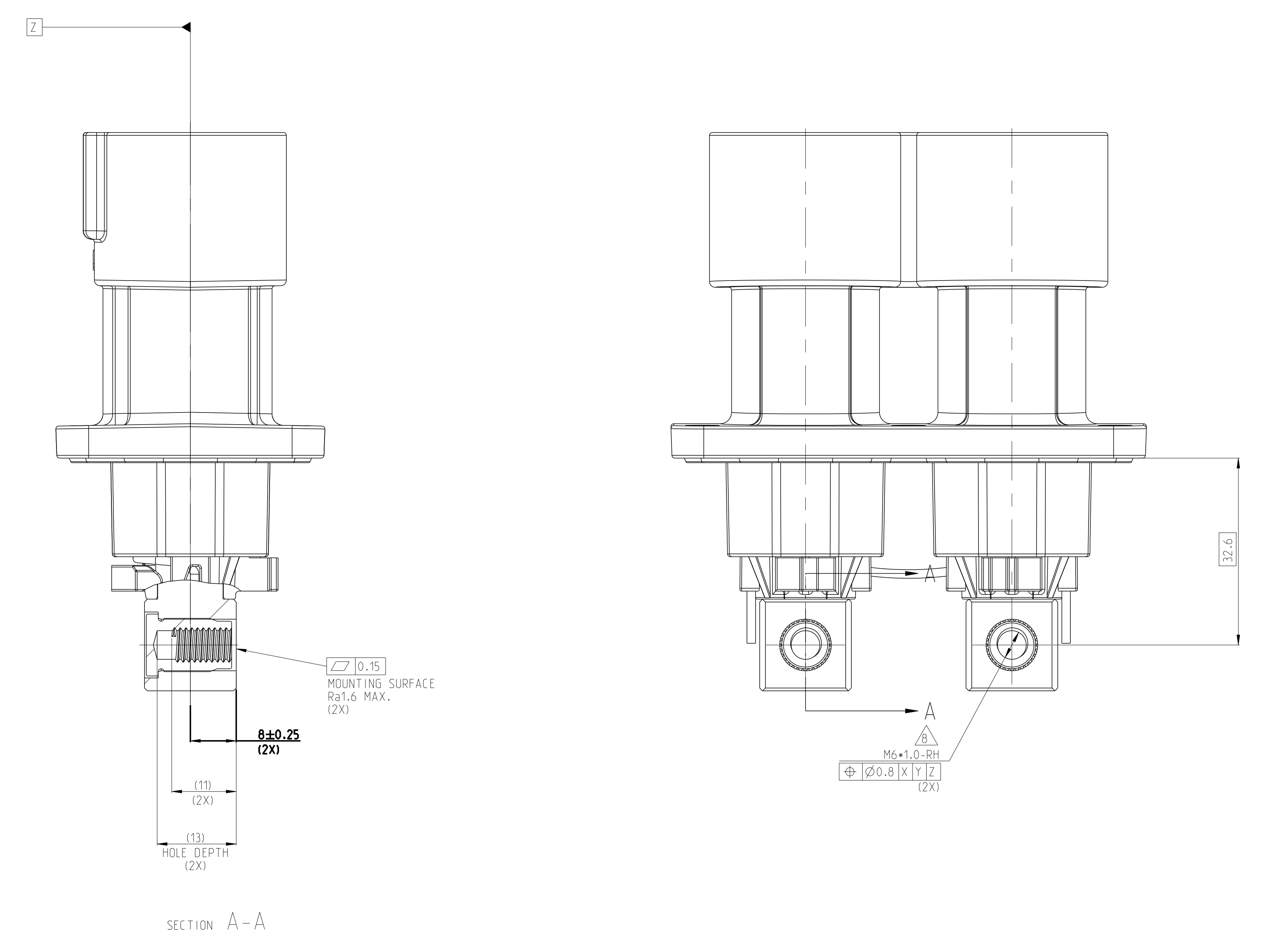
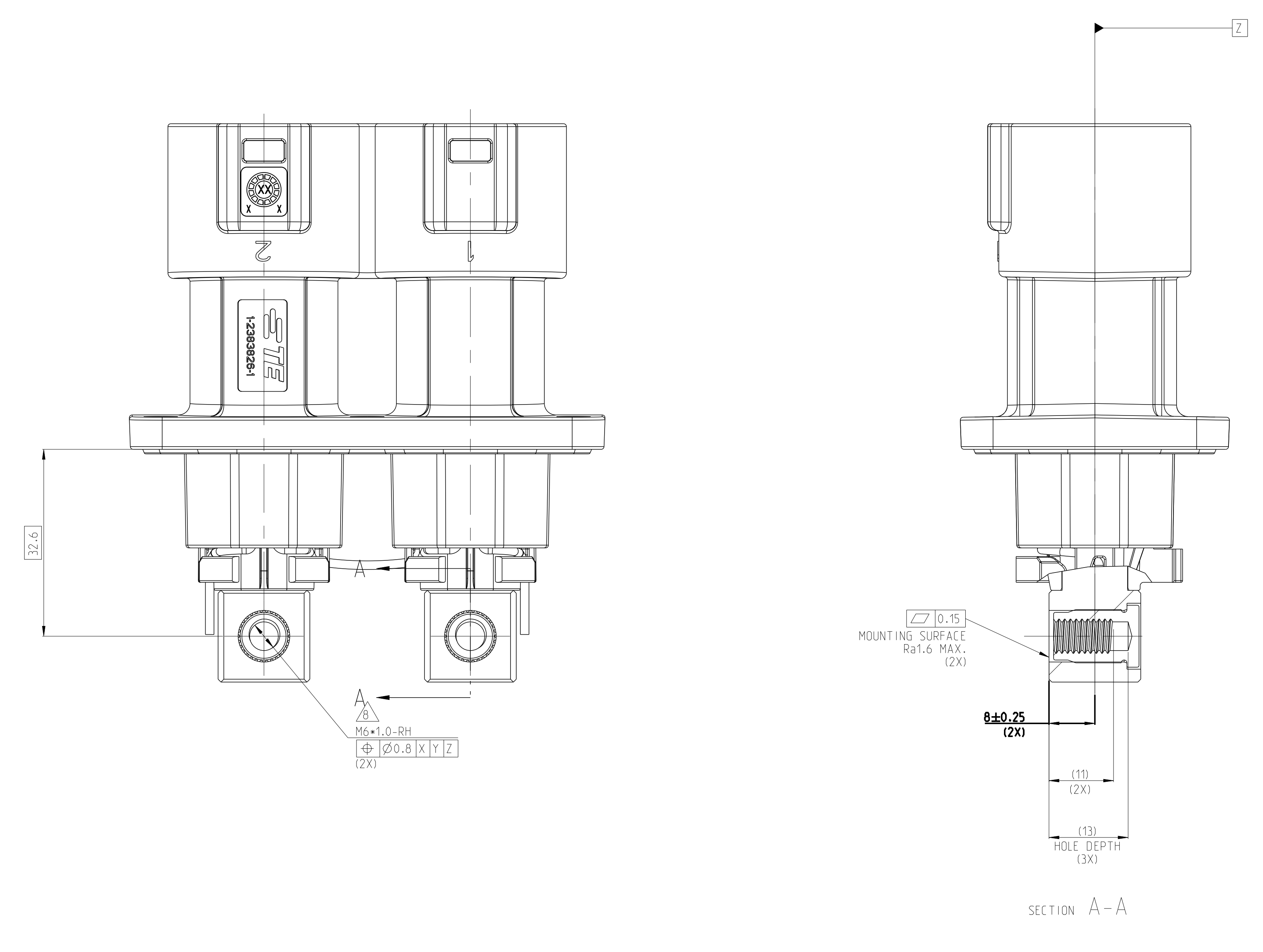


REVISIONS			
REV	DATE	BY	APPD
-	SEE SHEET 1	-	-



1. MISSING DIMENSIONS REFER TO 2-2394061-1



1. MISSING DIMENSIONS REFER TO 2-2394061-1

TE-ASSY-NO.	TE REV.	CODE	DESCRIPTION	DESCRIPTION	CODE	MATERIAL	SURFACE COLOR /TREATMENT	WEIGHT (g)	QTY	ITEM
2394061-6	E	L/M	2POS.PIN DIA 10.0 HDR ASSY.180DEG	CODE HOUSING	M	PA10T-GF	AQUA RED	(275)	1	9
				CODE HOUSING	L	PA10T-GF	AQUA BROWN		1	8
				FOLLOW 2394061-1	-	-	-		-	1-7
2394061-5	E	J/K	2POS.PIN DIA 10.0 HDR ASSY.180DEG	CODE HOUSING	K	PA10T-GF	AQUA GREEN	(275)	1	9
				CODE HOUSING	J	PA10T-GF	DRANGE		1	8
				FOLLOW 2394061-1	-	-	-		-	1-7
2394061-4	E	G/H	2POS.PIN DIA 10.0 HDR ASSY.180DEG	CODE HOUSING	H	PA10T-GF	YELLOW	(275)	1	9
				CODE HOUSING	G	PA10T-GF	RED		1	8
				FOLLOW 2394061-1	-	-	-		-	1-7
2394061-3	E	E/F	2POS.PIN DIA 10.0 HDR ASSY.180DEG	CODE HOUSING	F	PA10T-GF	BROWN	(275)	1	9
				CODE HOUSING	E	PA10T-GF	GREEN		1	8
				FOLLOW 2394061-1	-	-	-		-	1-7
2394061-2	E	C/D	2POS.PIN DIA 10.0 HDR ASSY.180DEG	CODE HOUSING	D	PA10T-GF	PURPLE	(275)	1	9
				CODE HOUSING	C	PA10T-GF	BLUE		1	8
				FOLLOW 2394061-1	-	-	-		-	1-7
2394061-1	E	A/B	2POS.PIN DIA 10.0 HDR ASSY.180DEG	CODE HOUSING	B	PA10T-GF	NATURE	(275)	1	9
				CODE HOUSING	A	PA10T-GF	BLACK		1	8
				HVIL WIRE 1 (LEONI MOCAR 180 E 0.5SQMM, WHITE ACCORDING TO LV112) WITH TERMINAL	-	-	-		1	7
				HVIL WIRE 2 (LEONI MOCAR 180 E 0.5SQMM, WHITE ACCORDING TO LV112) WITH TERMINAL	-	-	-		2	6
				FACE SEAL	-	SILICONE	RED		1	5
				BUSBAR.FRONT SIDE	-	COPPER	Ag PLATED		2	4
				HEADER TPA	-	PA66-GF	RED		2	3
				FINGER PROTECTION CAP	-	PA66	BLACK		2	2
				HEADER HOUSING 180DEG.2POS	-	AL-ALLOY	PASSIVATION		1	1
				TE-ASSY-NO.	TE REV.	CODE	DESCRIPTION	DESCRIPTION	CODE	MATERIAL

TE-ASSY-NO.	TE REV.	CODE	DESCRIPTION	DESCRIPTION	CODE	MATERIAL	SURFACE COLOR /TREATMENT	WEIGHT (g)	QTY	ITEM
1-2394061-6	E	L/M	2POS.PIN DIA 10.0 HDR ASSY.180DEG	CODE HOUSING	M	PA10T-GF	AQUA RED	(275)	1	9
				CODE HOUSING	L	PA10T-GF	AQUA BROWN		1	8
				FOLLOW 1-2394061-1	-	-	-		-	1-7
1-2394061-5	E	J/K	2POS.PIN DIA 10.0 HDR ASSY.180DEG	CODE HOUSING	K	PA10T-GF	AQUA GREEN	(275)	1	9
				CODE HOUSING	J	PA10T-GF	DRANGE		1	8
				FOLLOW 1-2394061-1	-	-	-		-	1-7
1-2394061-4	E	G/H	2POS.PIN DIA 10.0 HDR ASSY.180DEG	CODE HOUSING	H	PA10T-GF	YELLOW	(275)	1	9
				CODE HOUSING	G	PA10T-GF	RED		1	8
				FOLLOW 1-2394061-1	-	-	-		-	1-7
1-2394061-3	E	E/F	2POS.PIN DIA 10.0 HDR ASSY.180DEG	CODE HOUSING	F	PA10T-GF	BROWN	(275)	1	9
				CODE HOUSING	E	PA10T-GF	GREEN		1	8
				FOLLOW 1-2394061-1	-	-	-		-	1-7
1-2394061-2	E	C/D	2POS.PIN DIA 10.0 HDR ASSY.180DEG	CODE HOUSING	D	PA10T-GF	PURPLE	(275)	1	9
				CODE HOUSING	C	PA10T-GF	BLUE		1	8
				FOLLOW 1-2394061-1	-	-	-		-	1-7
1-2394061-1	E	A/B	2POS.PIN DIA 10.0 HDR ASSY.180DEG	CODE HOUSING	B	PA10T-GF	NATURE	(275)	1	9
				CODE HOUSING	A	PA10T-GF	BLACK		1	8
				HVIL WIRE 1 (LEONI MOCAR 180 E 0.5SQMM, WHITE ACCORDING TO LV112) WITH TERMINAL	-	-	-		1	7
				HVIL WIRE 2 (LEONI MOCAR 180 E 0.5SQMM, WHITE ACCORDING TO LV112) WITH TERMINAL	-	-	-		5	6
				FACE SEAL	-	SILICONE	RED		1	5
				BUSBAR.BACK SIDE	-	COPPER	Ag PLATED		2	4
				HEADER TPA	-	PA66-GF	RED		2	3
				FINGER PROTECTION CAP	-	PA66	BLACK		2	2
				HEADER HOUSING 180DEG.2POS	-	AL-ALLOY	PASSIVATION		1	1
				TE-ASSY-NO.	TE REV.	CODE	DESCRIPTION	DESCRIPTION	CODE	MATERIAL

THIS DRAWING IS A CONTROLLED DOCUMENT. DATE: 30AUG2021. CHG: L.L. 30AUG2021. APPROV: L.V.VIN 30AUG2021. DIMENSIONS: SEE TABLE. MATERIAL: SEE TABLE. CUSTOMER DRAWING. SCALE: 2:1. SHEET 2 OF 4. REV: E.

STE TE Connectivity. 2POS.PIN DIA 10.0 HDR ASSY.180DEG HVP-HD1000. 108-160341. APPLICATION SPEC: 114-160181. SITE: 00779. CASE CODE: 2394061. RESTRICTED TO: -.

REVISIONS			
REV	DATE	DESCRIPTION	BY
-	-	SEE SHEET 1	-



TABLE 4

••-1		••-2		••-3	
CODE A	CODE B	CODE C	CODE D	CODE E	CODE F
CODE G	CODE H	CODE J	CODE K	CODE L	CODE M

THIS DRAWING IS A CONTROLLED DOCUMENT.

DATE: 30AUG2021	BY: J.L.L.	CHK: J.L.L.
DATE: 30AUG2021	BY: J.L.L.	CHK: J.L.L.
DATE: 30AUG2021	BY: J.L.L.	CHK: J.L.L.

DIMENSIONS: UNLESS OTHERWISE SPECIFIED
 DIM: 1.00
 1.00
 2.00
 3.00
 4.00
 5.00
 6.00
 7.00
 8.00
 9.00
 10.00
 11.00
 12.00
 13.00
 14.00
 15.00
 16.00
 17.00
 18.00
 19.00
 20.00
 21.00
 22.00
 23.00
 24.00
 25.00
 26.00
 27.00
 28.00
 29.00
 30.00
 31.00
 32.00
 33.00
 34.00
 35.00
 36.00
 37.00
 38.00
 39.00
 40.00
 41.00
 42.00
 43.00
 44.00
 45.00
 46.00
 47.00
 48.00
 49.00
 50.00
 51.00
 52.00
 53.00
 54.00
 55.00
 56.00
 57.00
 58.00
 59.00
 60.00
 61.00
 62.00
 63.00
 64.00
 65.00
 66.00
 67.00
 68.00
 69.00
 70.00
 71.00
 72.00
 73.00
 74.00
 75.00
 76.00
 77.00
 78.00
 79.00
 80.00
 81.00
 82.00
 83.00
 84.00
 85.00
 86.00
 87.00
 88.00
 89.00
 90.00
 91.00
 92.00
 93.00
 94.00
 95.00
 96.00
 97.00
 98.00
 99.00
 100.00

MATERIAL: SEE TABLE
 WEIGHT: SEE TABLE
 CUSTOMER DRAWING

DATE: 30AUG2021
 BY: J.L.L.
 CHK: J.L.L.
 DATE: 30AUG2021
 BY: J.L.L.
 CHK: J.L.L.
 DATE: 30AUG2021
 BY: J.L.L.
 CHK: J.L.L.

NAME: 2POS.PIN DIA 10.0 HDR ASSY.180DEG HVP-HD1000
 PRODUCT SPEC: 108-160341
 APPLICATION SPEC: 114-160181
 WEIGHT: SEE TABLE
 CUSTOMER DRAWING

SITE: A0
 CASE CODE: 00779
 DRAWING NO: C=2394061
 RESTRICTED TO: -
 SCALE: 2:1
 SHEET: 3 of 4
 REV: E

REVISIONS			
REV	DATE	DESCRIPTION	BY
-	-	SEE SHEET 1	-



TABLE 5					
•-1		•-2		•-3	
CODE A	CODE B	CODE C	CODE D	CODE E	CODE F
•-4		•-5		•-6	
CODE G	CODE H	CODE J	CODE K	CODE L	CODE M

THIS DRAWING IS A CONTROLLED DOCUMENT.

DATE: 30AUG2021	BY: J.L.L.
DATE: 30AUG2021	CHK: J.L.L.
DATE: 30AUG2021	APPV: J.L.L.

DIMENSIONS: UNLESS OTHERWISE SPECIFIED
 1. ALL DIMENSIONS ARE IN MILLIMETERS
 2. DIMENSIONS ARE TO CENTER UNLESS OTHERWISE SPECIFIED
 3. DIMENSIONS ARE TO DIMENSION LINES UNLESS OTHERWISE SPECIFIED
 4. DIMENSIONS ARE TO THE OUTLINE UNLESS OTHERWISE SPECIFIED
 5. DIMENSIONS ARE TO THE CENTER UNLESS OTHERWISE SPECIFIED
 6. DIMENSIONS ARE TO THE CENTER UNLESS OTHERWISE SPECIFIED
 7. DIMENSIONS ARE TO THE CENTER UNLESS OTHERWISE SPECIFIED
 8. DIMENSIONS ARE TO THE CENTER UNLESS OTHERWISE SPECIFIED
 9. DIMENSIONS ARE TO THE CENTER UNLESS OTHERWISE SPECIFIED
 10. DIMENSIONS ARE TO THE CENTER UNLESS OTHERWISE SPECIFIED

MATERIAL: SEE TABLE
 WEIGHT: SEE TABLE
 CUSTOMER DRAWING: YES

SCALE: 2:1
 SHEET: 4 of 4
 REV: F

STE TE Connectivity
 2POS. PIN DIA 10.0 HDR ASSY. 180DEG
 HVP-HD1000
 108-160341
 114-160181
 00779 ©=2394061