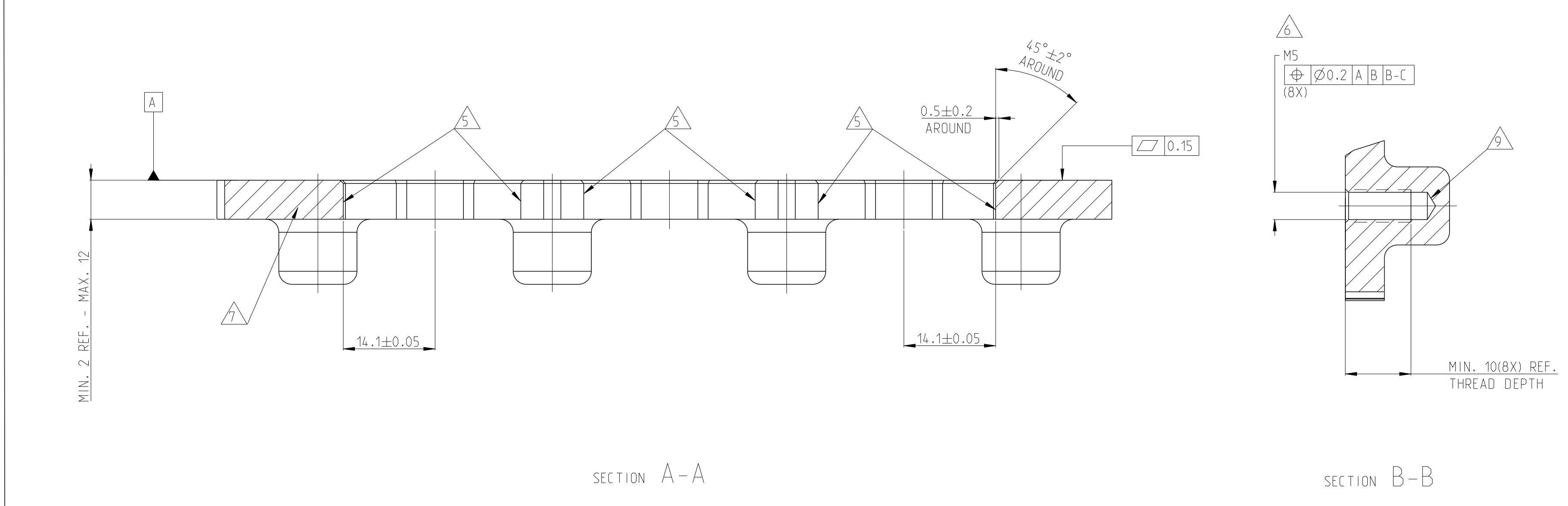
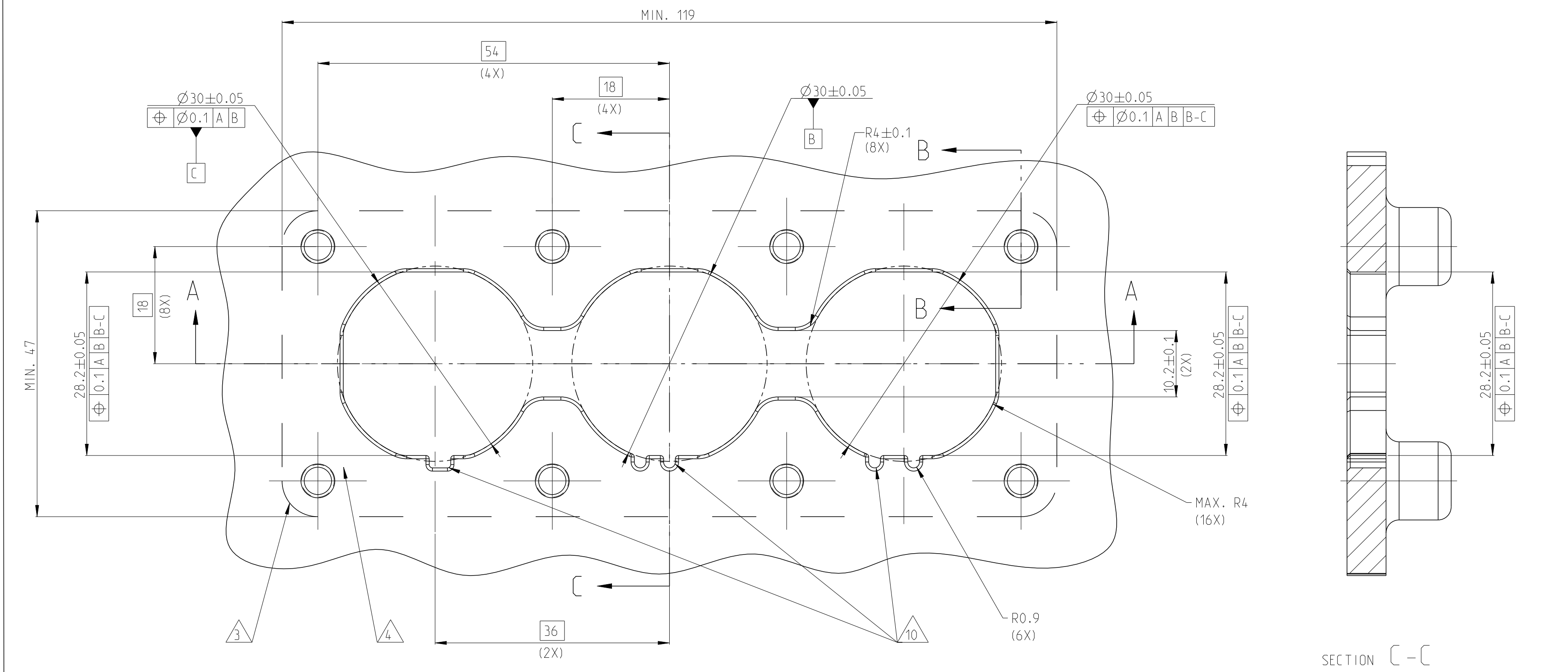


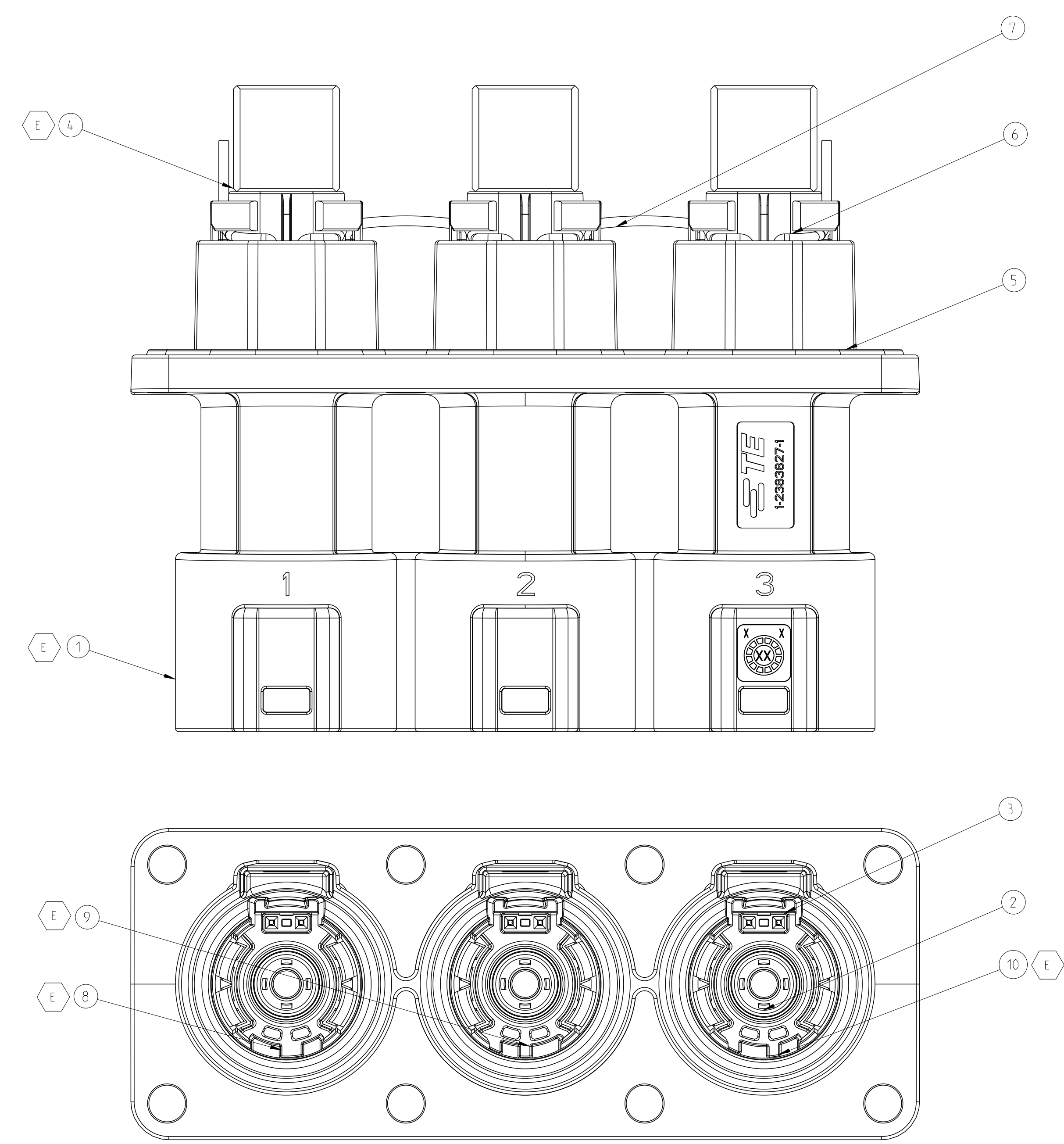
2-1 AS SHOWN

ADAPTER PLATE - HVP-HD1000 3POS HEADER INTERFACE

REVISIONS					
P	LTN	DESCRIPTION	DATE	DWN	APPD
B		BUSBAR THREADED INSERT CHANGED AND BUMPER ADDED. CAP MATERIAL CHANGED TO: 3008C23	24.03.23	C.C.	Z.2
C		100% POLISHING IMPROVEMENT ON PIN RETENTION TORQUE. BUMPING IMPROVED	30.08.23	C.C.	Z.2
D		PLATED HOUSING COATING CHANGED. LUBRICANT ADDED. WITH WIRE TMS ADDED. FACE AND INTERNAL CHANGES. ASSUMING MEDIUM HOLES	30.08.23	C.C.	Z.2
E		PCN-24-206191	14.09.24	S.T	Z.2



TE-ASSY-NO.	TE REV.	CODE	DESCRIPTION	DESCRIPTION	CODE	MATERIAL	SURFACE COLOR / TREATMENT	WEIGHT (g)	QTY	ITEM							
2-2394062-4	E	K/L/M	3POS,PIN DIA 10.0 HDR ASSY.180DEG	CODE HOUSING	M	PA10T-GF	AQUA RED	-	1	10	E						
				CODE HOUSING	L	PA10T-GF	AQUA BROWN	-	1	9		E					
				CODE HOUSING	K	PA10T-GF	AQUA GREEN	-	1	8			E				
				FOLLOW 2-2394062-1	-	-	-	-	-	1-7				E			
2-2394062-3	E	G/H/J	3POS,PIN DIA 10.0 HDR ASSY.180DEG	CODE HOUSING	J	PA10T-GF	ORANGE	-	1	10	E						
				CODE HOUSING	H	PA10T-GF	YELLOW	-	1	9		E					
				CODE HOUSING	G	PA10T-GF	RED	-	1	8			E				
				FOLLOW 2-2394062-1	-	-	-	-	-	1-7				E			
2-2394062-2	E	D/E/F	3POS,PIN DIA 10.0 HDR ASSY.180DEG	CODE HOUSING	F	PA10T-GF	BROWN	-	1	10	E						
				CODE HOUSING	E	PA10T-GF	GREEN	-	1	9		E					
				CODE HOUSING	D	PA10T-GF	PURPLE	-	1	8			E				
				FOLLOW 2-2394062-1	-	-	-	-	-	1-7				E			
2-2394062-1	E	A/B/C	3POS,PIN DIA 10.0 HDR ASSY.180DEG	CODE HOUSING	C	PA10T-GF	BLUE	-	1	10	E						
				CODE HOUSING	B	PA10T-GF	NATURE	-	1	9		E					
				CODE HOUSING	A	PA10T-GF	BLACK	-	1	8			E				
				HVIL W IRE 1 (LEONI MOCAR 180 E 0.55SDMM, WHITE ACCORDING TO LV112) WITH TERMINAL	-	-	-	-	2	7				E			
				HVIL W IRE 2 (LEONI MOCAR 180 E 0.55SDMM, WHITE ACCORDING TO LV112) WITH TERMINAL	-	-	-	-	2	6					E		
				FACE SEAL	-	SILICONE	RED	-	1	5						E	
				BUSBAR, TOP SIDE	-	COPPER	Ag PLATED	-	3	4							E
				HEADER TPA	-	PA66-GF	RED	-	3	3							
FINGER PROTECTION CAP	-	PA66	BLACK	-	3	2	E										
HEADER HOUSING 180DEG,3POS	-	AL-ALLOY	PASSIVATION	-	1	1		E									



- E 1. SUITABLE COUNTERPART OF HVP-HD1000 REFER TO: KIT DRAWING OF PLUG PRE ASSY WITH TPA: 2394115 (MECHANICAL) AND 2411905 (EMPT)
- DRAWING OF PLUG PRE ASSY WITHOUT TPA: 2409547
- DRAWING OF TPA: 2394114
- ▲ CODING VARIANT
- ▲ MOUNTING SPACE FOR HEADER
- ▲ SEALING AREA: NO BURR, TOOL PARTING, SHRINKAGE, CAVITIES AND GATE MARKS PERMITTED. SURFACE ROUGHNESS: Ra<=1.6
- ▲ DRAFT ANGLE UP TO 0.5° PERMITTED
- ▲ MOUNTING SCREW M5 (RECOMMENDED SCREW PLATING: ZINC-NICKEL). SCREW TYPE UP TO MANUFACTURER
- ▲ MATERIAL: CORROSION RESISTANT. ELECTROCONDUCTIVE
- ▲ SCREW M6 FOR BUSBAR CONNECTION
- ▲ ALL THREAD HOLES ARE BLIND HOLES
- ▲ INTERFACE PANEL CODE SEE SHEET 4
- ▲ POSITION NUMBER
- ▲ LUBRICANT APPLIED ON THE RADIAL SEAL AREA AND CPA AREA
- ▲ ASSEMBLY PN: X-XXXXXX-X
- ▲ ASSEMBLY REV: X
- ▲ DATE CODE: DWYYY

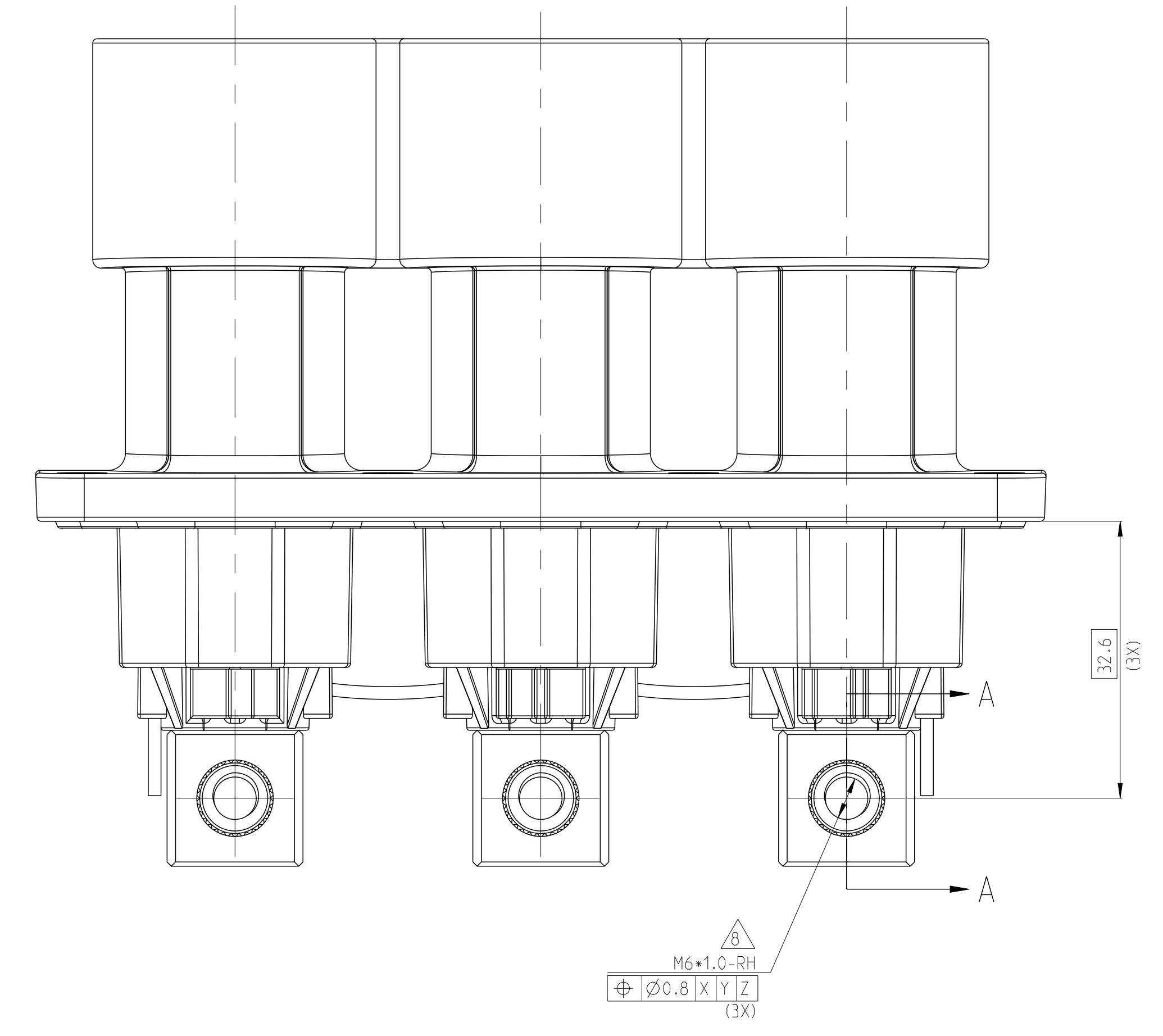
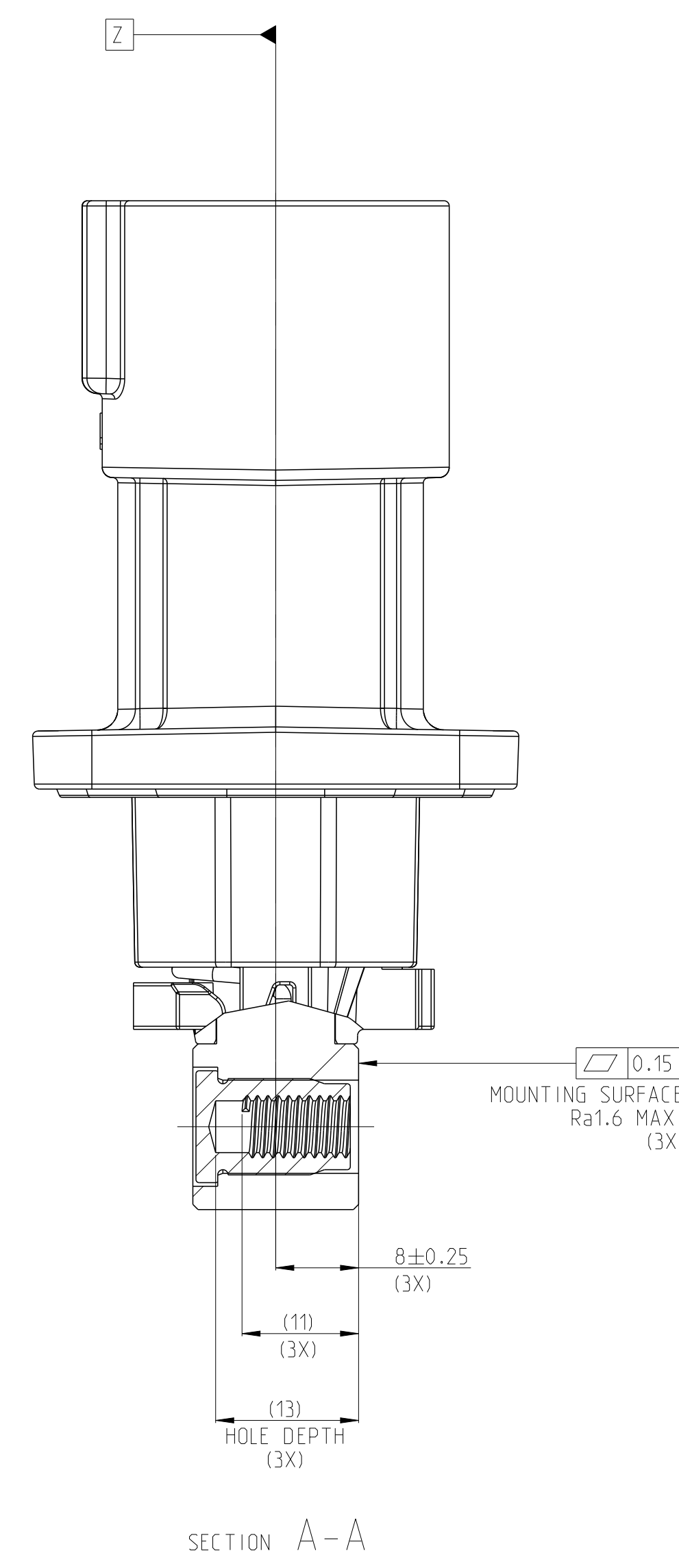
THIS DRAWING IS A CONTROLLED DOCUMENT.

DATE	30AUG2021	REV	1
DATE	30AUG2021	REV	2
DATE	30AUG2021	REV	3

TE Connectivity

3POS,PIN DIA 10.0 HDR ASSY.180DEG HVP-HD1000

SCALE: 2:1 SHEET 1 OF 4



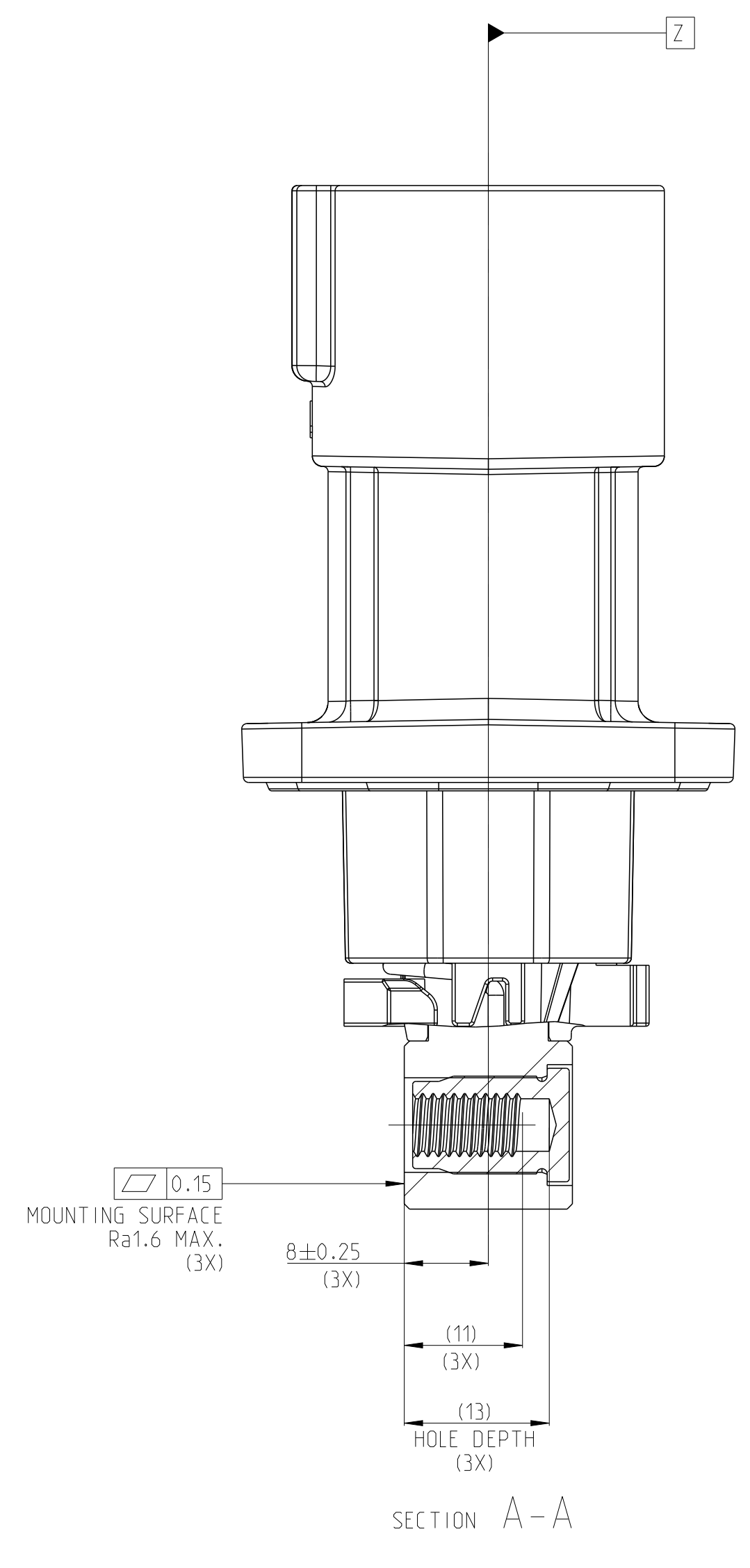
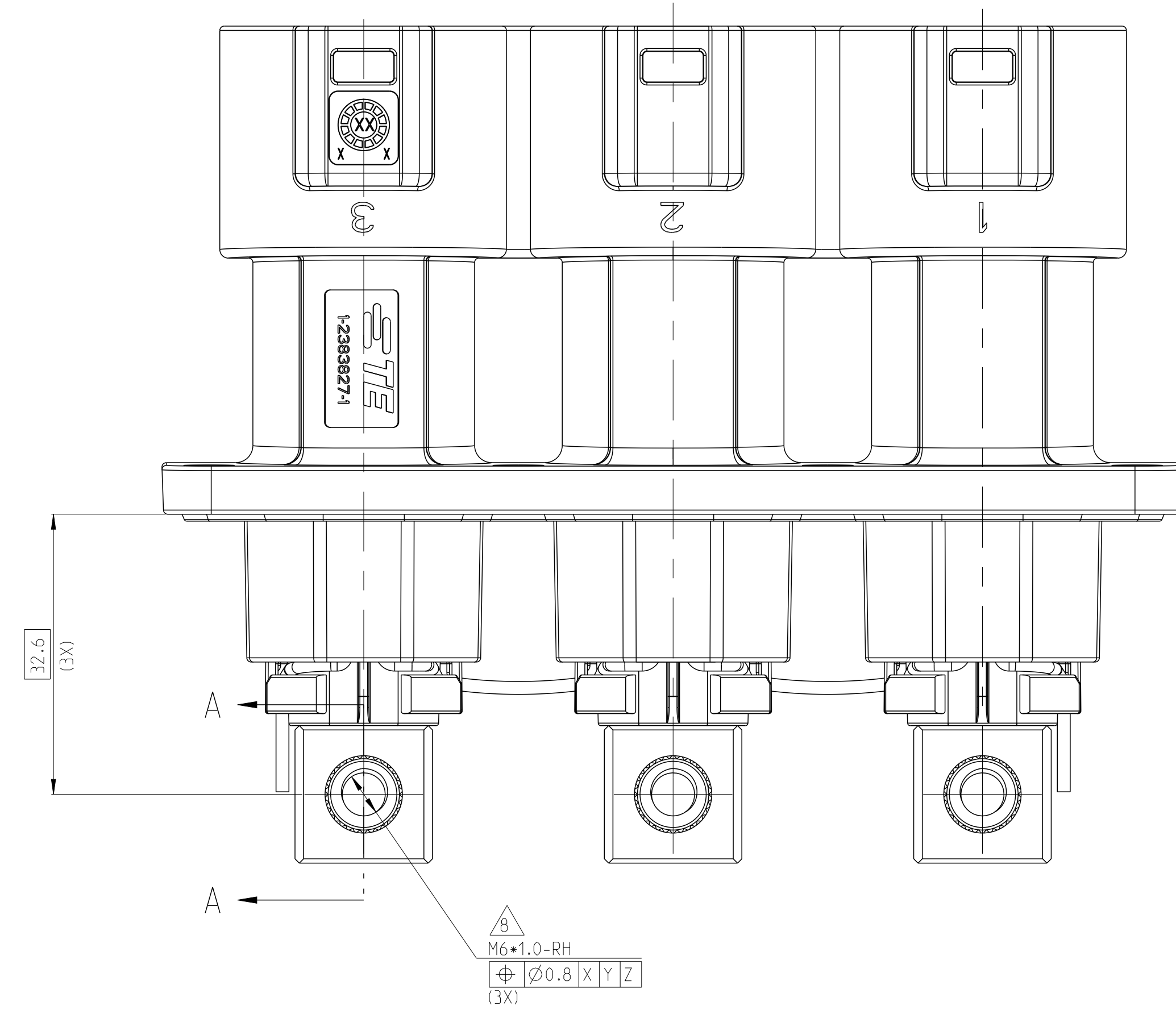
SECTION A-A

1. MISSING DIMENSIONS REFER TO 2-2394062-1

TE-ASSY-NO.	TE REV.	CODE	DESCRIPTION	DESCRIPTION	CODE	MATERIAL	SURFACE COLOR /TREATMENT	WEIGHT (g)	QTY	ITEM
2394062-4	E	K/L/M	3POS.PIN DIA 10.0 HDR ASSY.180DEG	CODE HOUSING	M	PA10T-GF	AQUA RED	(4.10)	1	10
				CODE HOUSING	L	PA10T-GF	AQUA BROWN		1	9
				CODE HOUSING	K	PA10T-GF	AQUA GREEN		1	8
				FOLLOW 2394062-1	-	-	-		-	1-7
2394062-3	E	G/H/J	3POS.PIN DIA 10.0 HDR ASSY.180DEG	CODE HOUSING	J	PA10T-GF	ORANGE	(4.10)	1	10
				CODE HOUSING	H	PA10T-GF	YELLOW		1	9
				CODE HOUSING	G	PA10T-GF	RED		1	8
				FOLLOW 2394062-1	-	-	-		-	1-7
2394062-2	E	D/E/F	3POS.PIN DIA 10.0 HDR ASSY.180DEG	CODE HOUSING	F	PA10T-GF	BROWN	(4.10)	1	10
				CODE HOUSING	E	PA10T-GF	GREEN		1	9
				CODE HOUSING	D	PA10T-GF	PURPLE		1	8
				FOLLOW 2394062-1	-	-	-		-	1-7
2394062-1	E	A/B/C	3POS.PIN DIA 10.0 HDR ASSY.180DEG	CODE HOUSING	C	PA10T-GF	BLUE	(4.10)	1	10
				CODE HOUSING	B	PA10T-GF	NATURE		1	9
				CODE HOUSING	A	PA10T-GF	BLACK		1	8
				HVIL WIRE 1 (LEONI MOCAR 180 E 0.5SQMM, WHITE ACCORDING TO LV112) WITH TERMINAL	-	-	-		2	7
				HVIL WIRE 2 (LEONI MOCAR 180 E 0.5SQMM, WHITE ACCORDING TO LV112) WITH TERMINAL	-	-	-		2	6
				FACE SEAL	-	SILICONE	RED		1	5
				BUSBAR,FRONT SIDE	-	COPPER	Ag PLATED		3	4
				HEADER TPA	-	PA66-GF	RED		3	3
				FINGER PROTECTION CAP	-	PA66	BLACK		3	2
				HEADER HOUSING 180DEG.3POS	-	AL-ALLOY	PASSIVATION		1	1

SECTION A-A

REVISIONS			
P	LV	DESCRIPTION	DATE
-	-	SEE SHEET 1	-



SECTION A-A

1. MISSING DIMENSIONS REFER TO 2-2394062-1

TE-ASSY-NO.	TE REV.	CODE	DESCRIPTION	DESCRIPTION	CODE	MATERIAL	SURFACE COLOR /TREATMENT	WEIGHT (g)	QTY	ITEM
1-2394062-4	E	K/L/M	3POS.PIN DIA 10.0 HDR ASSY.180DEG	CODE HOUSING	M	PA10T-GF	AQUA RED	(4.10)	1	10
				CODE HOUSING	L	PA10T-GF	AQUA BROWN		1	9
				CODE HOUSING	K	PA10T-GF	AQUA GREEN		1	8
				FOLLOW 1-2394062-1	-	-	-		-	1-7
1-2394062-3	E	G/H/J	3POS.PIN DIA 10.0 HDR ASSY.180DEG	CODE HOUSING	J	PA10T-GF	ORANGE	(4.10)	1	10
				CODE HOUSING	H	PA10T-GF	YELLOW		1	9
				CODE HOUSING	G	PA10T-GF	RED		1	8
				FOLLOW 1-2394062-1	-	-	-		-	1-7
1-2394062-2	E	D/E/F	3POS.PIN DIA 10.0 HDR ASSY.180DEG	CODE HOUSING	F	PA10T-GF	BROWN	(4.10)	1	10
				CODE HOUSING	E	PA10T-GF	GREEN		1	9
				CODE HOUSING	D	PA10T-GF	PURPLE		1	8
				FOLLOW 1-2394062-1	-	-	-		-	1-7
1-2394062-1	E	A/B/C	3POS.PIN DIA 10.0 HDR ASSY.180DEG	CODE HOUSING	C	PA10T-GF	BLUE	(4.10)	1	10
				CODE HOUSING	B	PA10T-GF	NATURE		1	9
				CODE HOUSING	A	PA10T-GF	BLACK		1	8
				HVIL WIRE 1 (LEONI MOCAR 180 E 0.5SQMM, WHITE ACCORDING TO LV112) WITH TERMINAL	-	-	-		2	7
				HVIL WIRE 2 (LEONI MOCAR 180 E 0.5SQMM, WHITE ACCORDING TO LV112) WITH TERMINAL	-	-	-		2	6
				FACE SEAL	-	SILICONE	RED		1	5
				BUSBAR,FRONT SIDE	-	COPPER	Ag PLATED		3	4
				HEADER TPA	-	PA66-GF	RED		3	3
				FINGER PROTECTION CAP	-	PA66	BLACK		3	2
				HEADER HOUSING 180DEG.3POS	-	AL-ALLOY	PASSIVATION		1	1

SECTION A-A

THIS DRAWING IS A CONTROLLED DOCUMENT. DATE: 30AUG2021. DRAWN BY: [Name].

TE Connectivity logo and name.

3POS.PIN DIA 10.0 HDR ASSY.180DEG HVP-HD1000

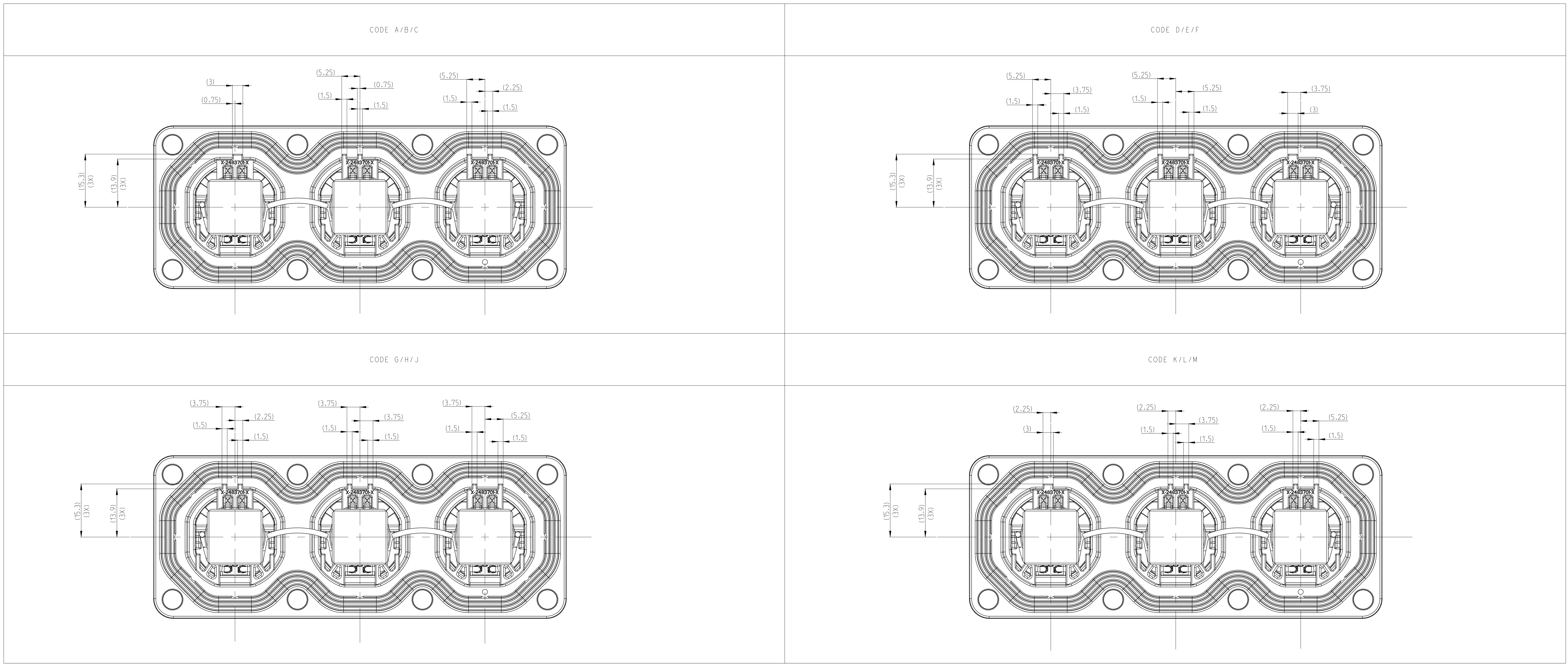
108-160341

14-160181

00779 ©2394062

SCALE: 2:1 SHEET 2 OF 4

REVISIONS			
REV	DATE	DESCRIPTION	BY
-	-	SEE SHEET 1	-



THIS DRAWING IS A CONTROLLED DOCUMENT.

DATE	30AUG2021	BY	D.L.LING
CHK	30AUG2021	CHK	L.L.
APPLY	30AUG2021	APPLY	L.VIN

DIMENSIONS: UNLESS OTHERWISE SPECIFIED:  
 DIM: ±0.5  
 1. PAC ±0.1  
 2. PLS ±0.1  
 3. PLS ±0.0001  
 4. PLS ±0.0001  
 5. PLS ±0.0001  
 6. PLS ±0.0001  
 7. PLS ±0.0001  
 8. PLS ±0.0001  
 9. PLS ±0.0001  
 10. PLS ±0.0001

NAME: 3POS. PIN DIA 10.0 HDR ASSY.180DEG HVP-HD1000  
 PRODUCT SPEC: 108-160341  
 APPLICATION SPEC: 114-160181  
 WEIGHT: SEE TABLE  
 CUSTOMER DRAWING: A0

SITE: 00779  
 CASE CODE: 2394062  
 DRAWING NO: 2394062  
 RESTRICTED TO: -  
 SCALE: 2:1  
 SHEET: 3 of 4  
 REV: E

REVISIONS			
REV	DATE	BY	APPD
-	SEE SHEET 1	-	-



TABLE 5					
*-1			*-2		
CODE A	CODE B	CODE C	CODE D	CODE E	CODE F
*-3			*-4		
CODE G	CODE H	CODE J	CODE K	CODE L	CODE M

THIS DRAWING IS A CONTROLLED DOCUMENT.

DATE	30AUG2021	BY	DLG
CHK	30AUG2021	APPD	LL
REV	1	DATE	30AUG2021
DESCRIPTION	3POS. PIN DIA 10.0 HDR ASSY. 180DEG HVP-HD1000		
PROJECT	108-160341		
APPLICATION SPEC	114-160181		
WEIGHT	SEE TABLE		
MATERIAL	SEE TABLE		
SCALE	2:1	SHEET	4
REV	E	DATE	00779

STE TE Connectivity