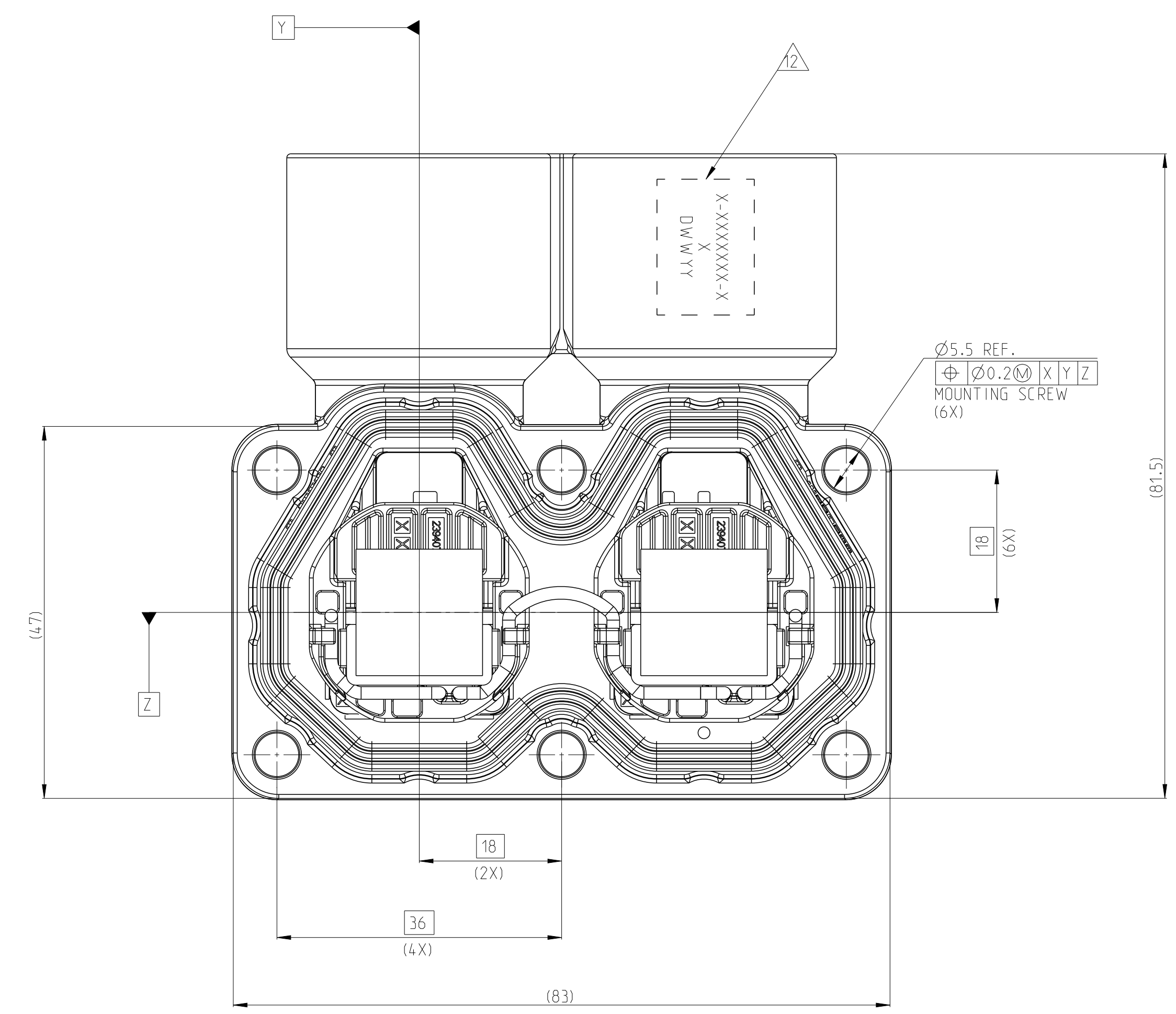
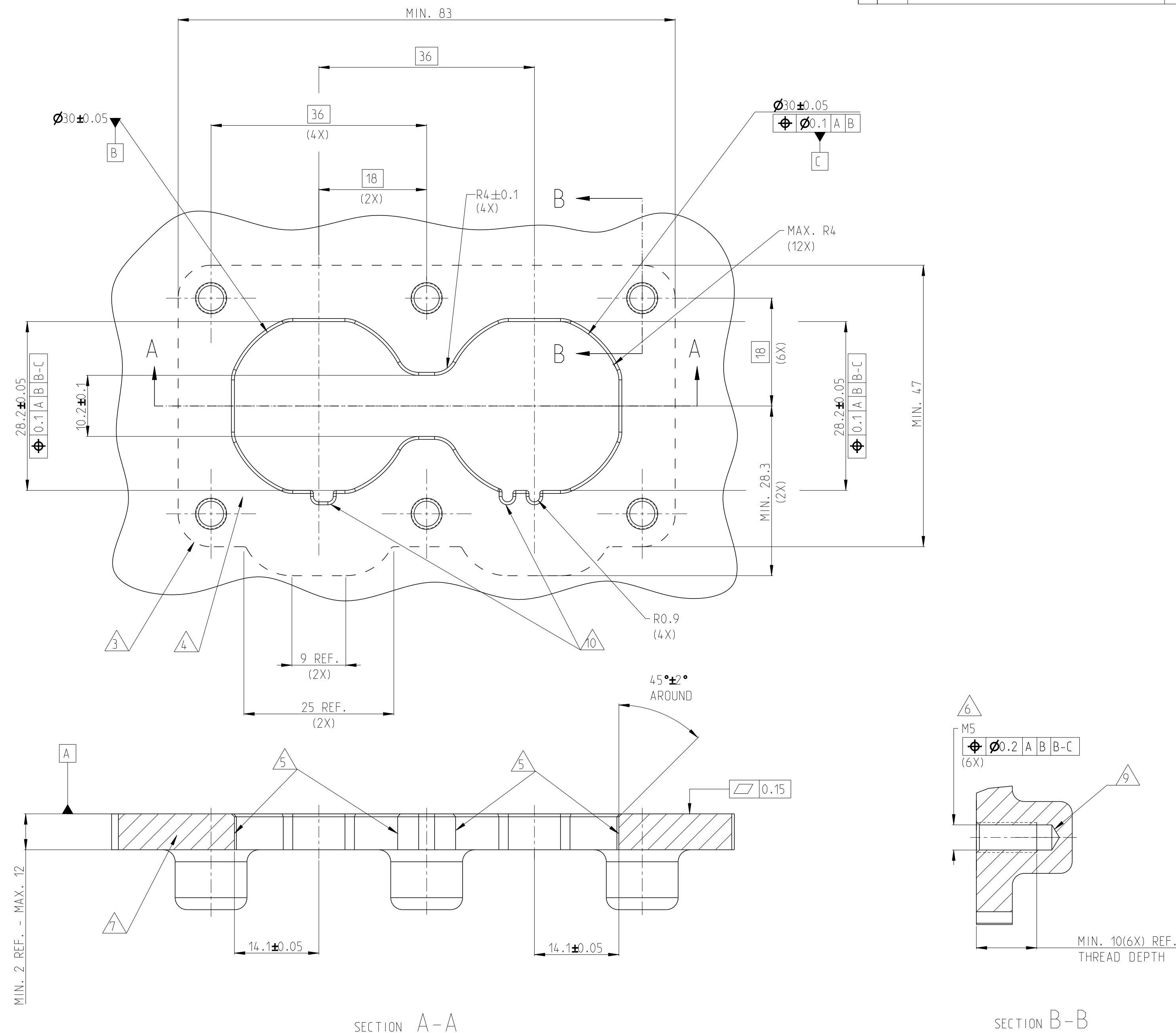
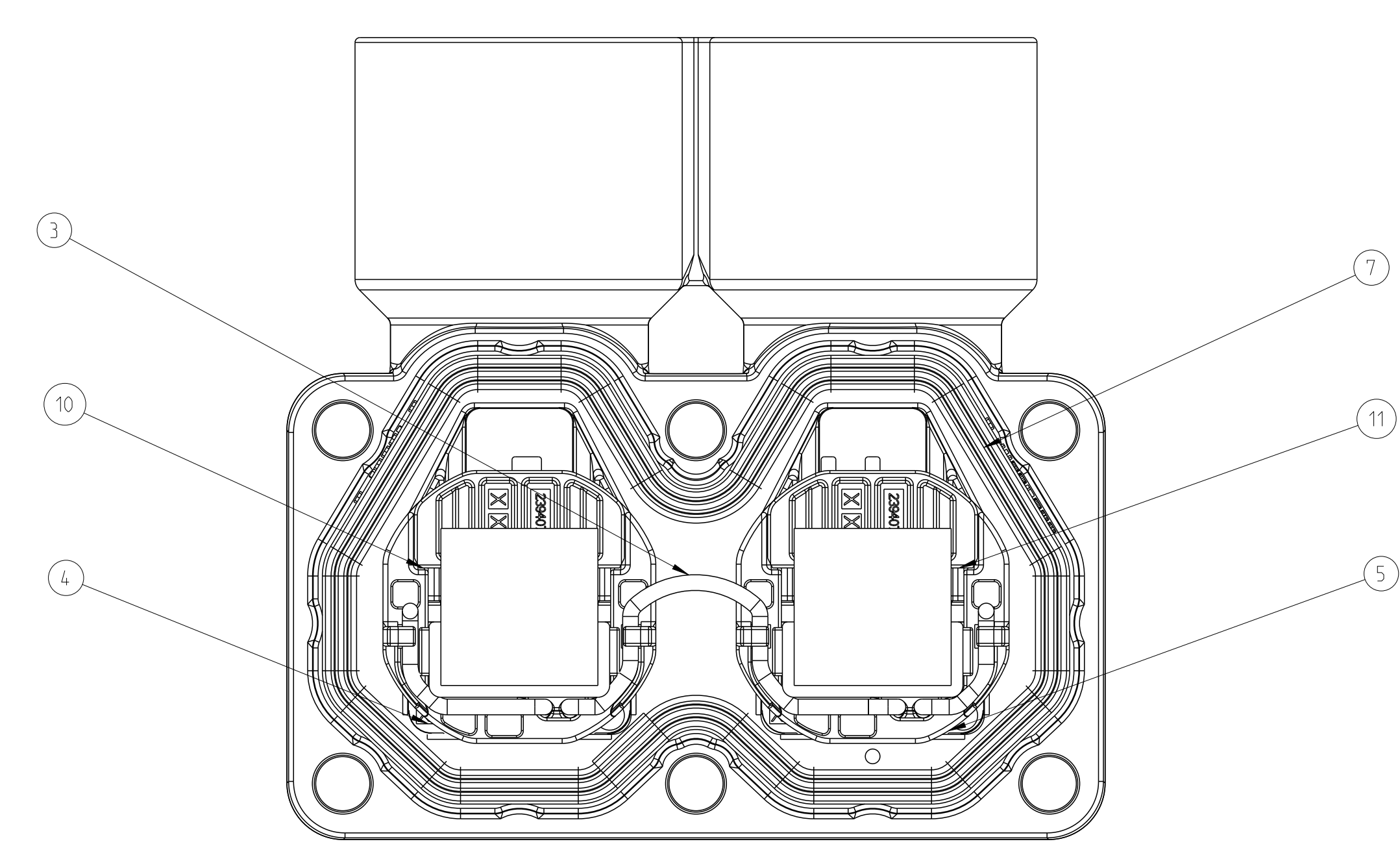
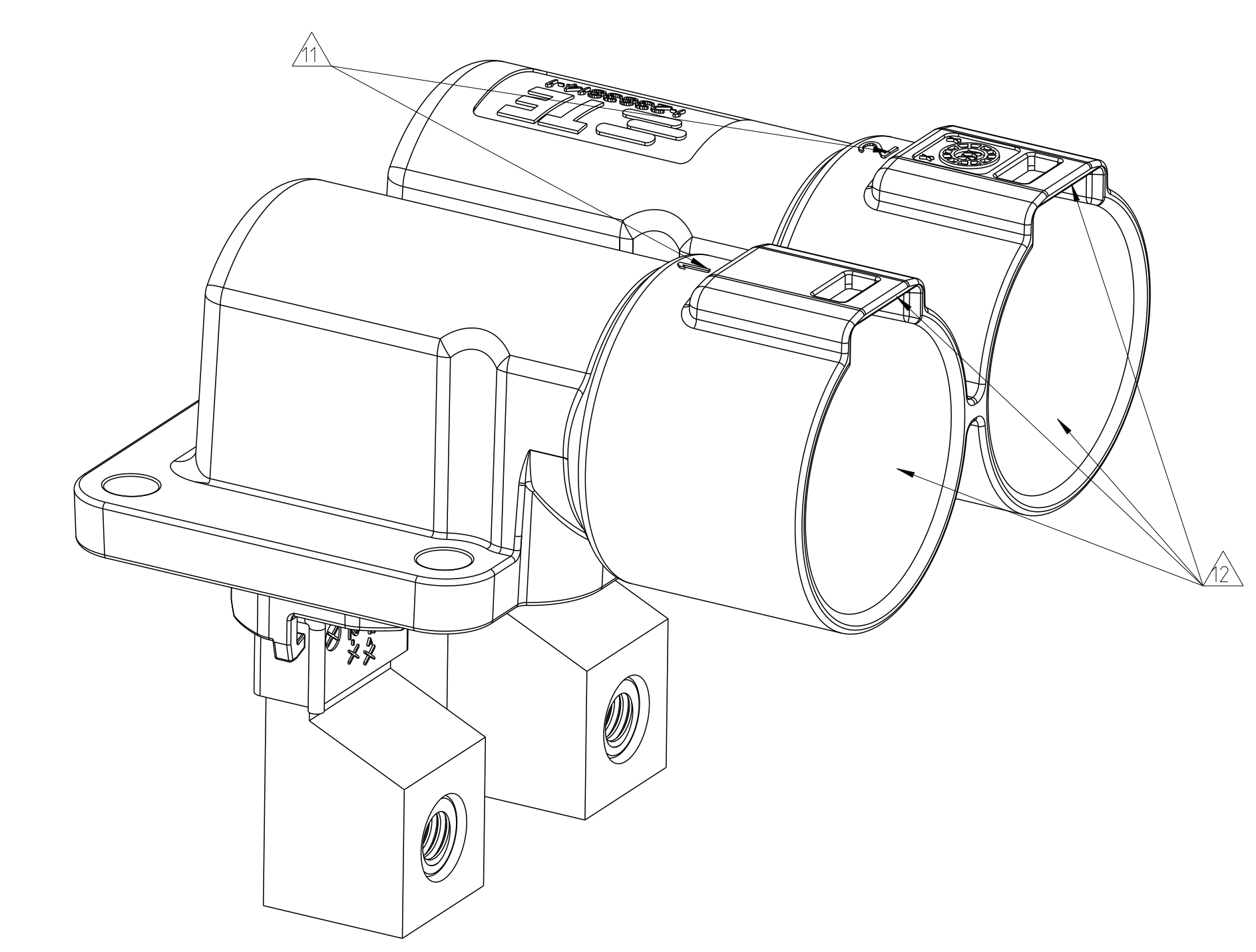
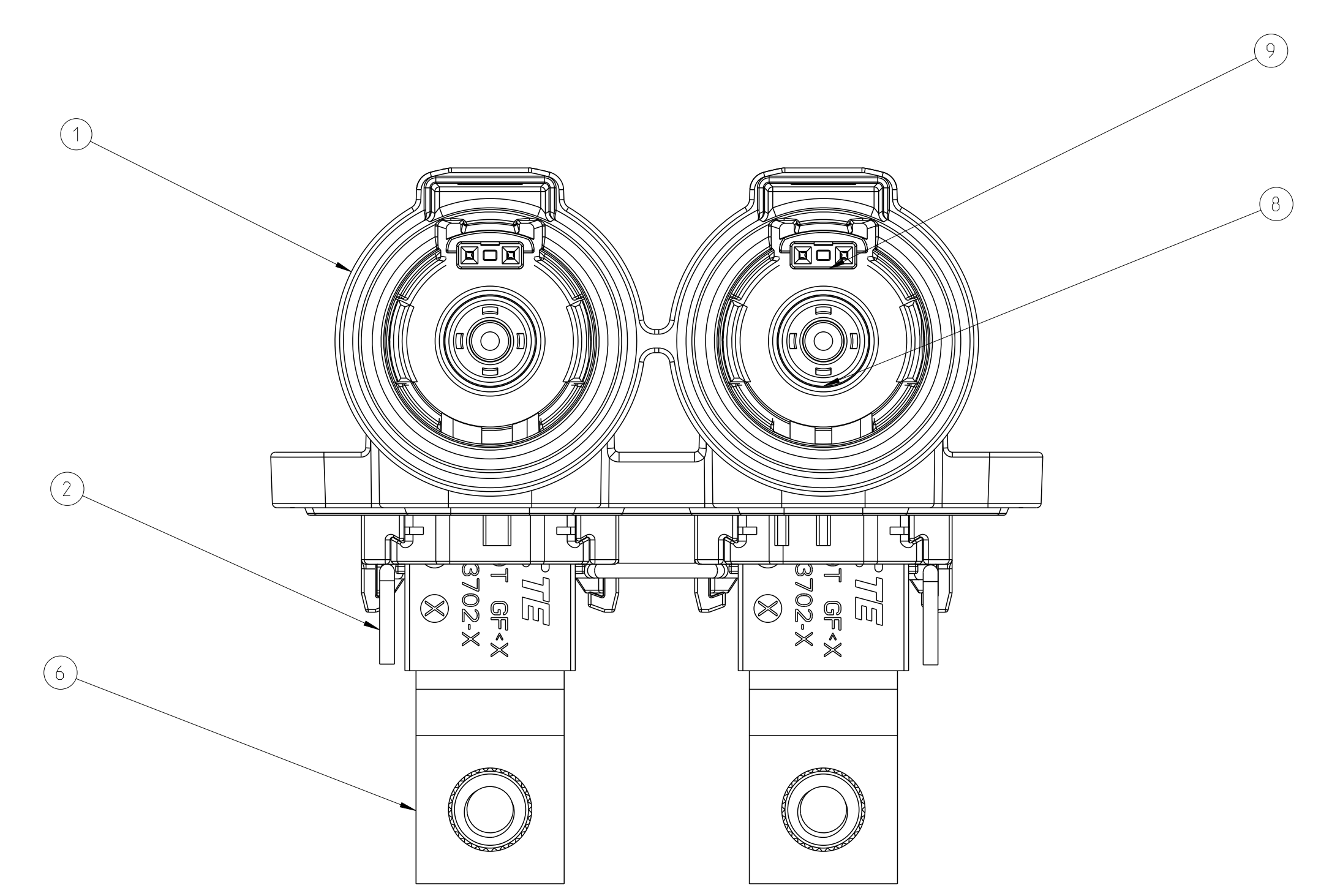


ADAPTER PLATE - HVP-HD1000 2POS HEADER INTERFACE

REVISIONS				
REV	DATE	BY	APPD	DESCRIPTION
B	24.03.23	C.C.	Z.2	BUSBAR THREADED INSERT CHANGED AND CHAMFER ADDED. LIP WIDTH CHANGED
C	23.04.23	C.C.	Z.2	PLATING FINISH CHANGED. LUBRICANT ADDED. 90° IN WIRE WIRE ADDED. FACE DIA. WITH CHANGED. FINISH. WIREFORM ADDED
D	14.02.24	C.C.	Z.2	PCN-24-206191
D1	30.02.24	S.T.	Z.2	ADD PLATING PROCESS HOLE IN THE TOP ORIENTATION OF BUSBAR



SECTION A-A

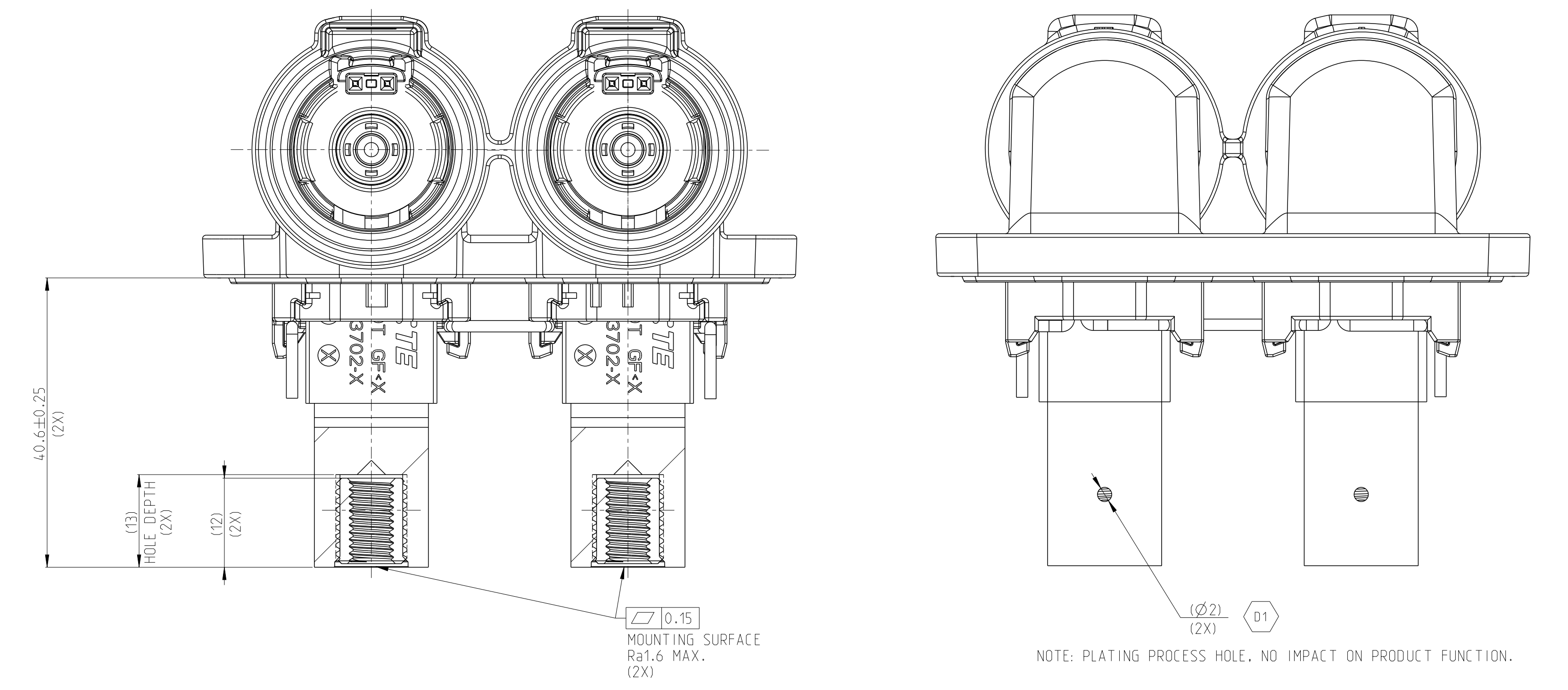
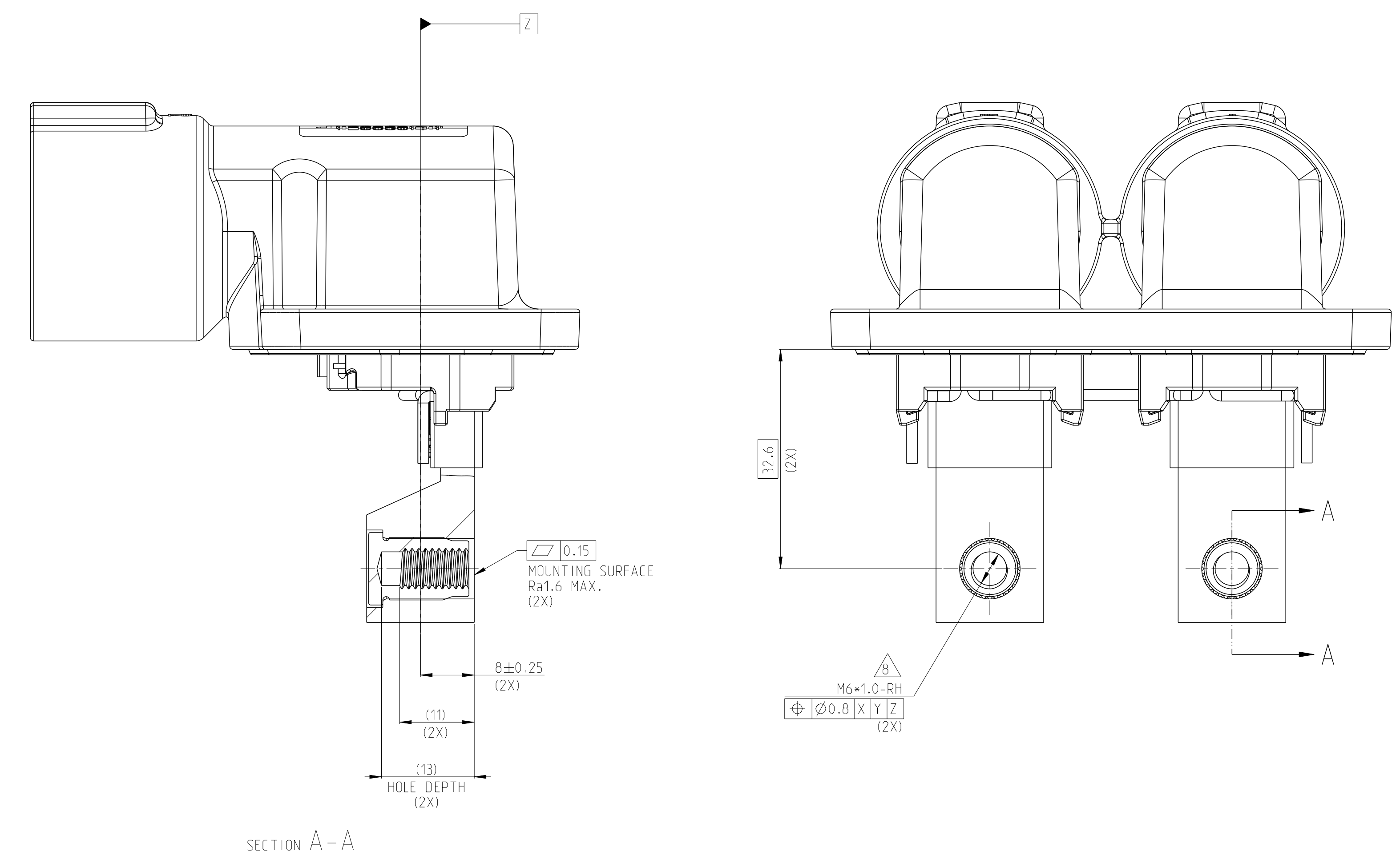


TE-ASSY-NO.	TE REV.	CODE	DESCRIPTION	DESCRIPTION	CODE	MATERIAL	SURFACE COLOR / TREATMENT	WEIGHT (g)	QTY	ITEM
2394071-6	D	L/M	2POS.PIN DIA 10.0 HDR ASSY.90DEG	CODE HOUSING	M	PA66-GF	AQUA RED	(325)	1	11
				CODE HOUSING	L	PA66-GF	AQUA BROWN		1	10
				FOLLOW 2394071-1	-	-	-		-	1-9
2394071-5	D	J/K	2POS.PIN DIA 10.0 HDR ASSY.90DEG	CODE HOUSING	K	PA66-GF	AQUA GREEN	(325)	1	11
				CODE HOUSING	J	PA66-GF	ORANGE		1	10
				FOLLOW 2394071-1	-	-	-		-	1-9
2394071-4	D	G/H	2POS.PIN DIA 10.0 HDR ASSY.90DEG	CODE HOUSING	H	PA66-GF	YELLOW	(325)	1	11
				CODE HOUSING	G	PA66-GF	RED		1	10
				FOLLOW 2394071-1	-	-	-		-	1-9
2394071-3	D	E/F	2POS.PIN DIA 10.0 HDR ASSY.90DEG	CODE HOUSING	F	PA66-GF	BROWN	(325)	1	11
				CODE HOUSING	E	PA66-GF	GREEN		1	10
				FOLLOW 2394071-1	-	-	-		-	1-9
2394071-2	D	C/D	2POS.PIN DIA 10.0 HDR ASSY.90DEG	CODE HOUSING	D	PA66-GF	PURPLE	(325)	1	11
				CODE HOUSING	C	PA66-GF	BLUE		1	10
				FOLLOW 2394071-1	-	-	-		-	1-9
2394071-1	D	A/B	2POS.PIN DIA 10.0 HDR ASSY.90DEG	CODE HOUSING	B	PA66-GF	NATURE	(325)	1	11
				CODE HOUSING	A	PA66-GF	BLACK		1	10
				HEADER TPA	-	PA66-GF	RED		2	9
				FINGER PROTECTION CAP	-	PA66	BLACK		2	8
				FACE SEAL	-	SILICONE	RED		1	7
				ONE PIECE BUSBAR OVERMOLD.FRONT SIDE	-	PA10T MOLDING	-		2	6
				OUTER HOUSING	-	PA66-GF	BLACK		2	5
				INNER HOUSING	-	PA66-GF	BLACK		2	4
				HVIL WIRE (LEONI MOCAR 180 E 0.550MM, WHITE ACCORDING TO LV112) WITH TERMINAL	-	-	-		1	3
				HVIL WIRE (LEONI MOCAR 180 E 0.550MM, WHITE ACCORDING TO LV112) WITH TERMINAL	-	-	-		2	2
				HEADER HOUSING 90DEG,2POS	-	AL-ALLOY	PASSIVATION		1	1

- SUITABLE COUNTERPART OF HVP-HD1000 REFER TO KIT DRAWING OF PLUG PRE ASSY WITH TPA: 2394115 (MECHANICAL) AND 2411905 (EMPTY)
 - DRAWING OF PLUG PRE ASSY WITHOUT TPA: 2409547
 - DRAWING OF TPA: 2394114
- △ CODING VARIANT
 - △ MOUNTING SPACE FOR HEADER
 - △ SEALING AREA: NO BURR, TOOL PARTING, SHRINKAGE, CAVITIES AND GATE MARKS PERMITTED. SURFACE ROUGHNESS: Ra=1.6
 - △ DRAFT ANGLE UP TO 0.5° PERMITTED
 - △ MOUNTING SCREW M5 (RECOMMENDED SCREW PLATING: ZINC-NICKEL). SCREW TYPE UP TO MANUFACTURER
 - △ MATERIAL: CORROSION RESISTANT, ELECTROCONDUCTIVE
 - △ SCREW M6 FOR BUSBAR CONNECTION
 - △ ALL THREAD HOLES ARE BLIND HOLES
 - △ INTERFACE PANEL CODE SEE SHEET 4
 - △ POSITION NUMBER
 - △ LUBRICANT APPLIED ON THE RADIAL SEAL AREA AND CPA AREA
 - △ ASSEMBLY PN: X-XXXXXXX-X
ASSEMBLY REV: X
DATE CODE: DW WYY

THIS DRAWING IS A CONTROLLED DOCUMENT.		DATE: 26AUG2021	REV: 1
DRAWN BY: SHI	CHECKED BY: LLL	DATE: 26AUG2021	DATE: 26AUG2021
APPROVED BY: LLL	DATE: 26AUG2021	DATE: 26AUG2021	DATE: 26AUG2021
PRODUCT SPEC: 108-160341	APPLICATION SPEC: 114-160181	SCALE: 1:1	RESTRICTED TO: -
MATERIAL: SEE TABLE	WEIGHT: SEE TABLE	SCALE: 1:1	RESTRICTED TO: -
CUSTOMER DRAWING	SCALE: 1:1	SHEET: 1 OF 4	REV: D1

REVISIONS			
REV	DATE	DESCRIPTION	APP'D
-	-	SEE SHEET 1	-



1.MISSING DIMENSION REFER TO 2394071-1

1.MISSING DIMENSION REFER TO 2394071-1

TE-ASSY-NO.	TE REV.	CODE	DESCRIPTION	DESCRIPTION	CODE	MATERIAL	PASSIVATION SURFACE COLOR /TREATMENT	WEIGHT (g)	QTY	ITEM
1-2394071-6	D	L/M	2POS.PIN DIA 10.0 HDR ASSY.90DEG	CODE HOUSING	M	PA66-GF	AQUA RED	(325)	1	11
				CODE HOUSING	L	PA66-GF	AQUA BROWN		1	10
				FOLLOW 1-2394071-1	-	-	-		-	1-9
1-2394071-5	D	J/K	2POS.PIN DIA 10.0 HDR ASSY.90DEG	CODE HOUSING	K	PA66-GF	AQUA GREEN	(325)	1	11
				CODE HOUSING	J	PA66-GF	ORANGE		1	10
				FOLLOW 1-2394071-1	-	-	-		-	1-9
1-2394071-4	D	G/H	2POS.PIN DIA 10.0 HDR ASSY.90DEG	CODE HOUSING	H	PA66-GF	YELLOW	(325)	1	11
				CODE HOUSING	G	PA66-GF	RED		1	10
				FOLLOW 1-2394071-1	-	-	-		-	1-9
1-2394071-3	D	E/F	2POS.PIN DIA 10.0 HDR ASSY.90DEG	CODE HOUSING	F	PA66-GF	BROWN	(325)	1	11
				CODE HOUSING	E	PA66-GF	GREEN		1	10
				FOLLOW 1-2394071-1	-	-	-		-	1-9
1-2394071-2	D	C/D	2POS.PIN DIA 10.0 HDR ASSY.90DEG	CODE HOUSING	D	PA66-GF	PURPLE	(325)	1	11
				CODE HOUSING	C	PA66-GF	Blue		1	10
				FOLLOW 1-2394071-1	-	-	-		-	1-9
1-2394071-1	D	A/B	2POS.PIN DIA 10.0 HDR ASSY.90DEG	CODE HOUSING	B	PA66-GF	NATURE	(325)	1	11
				CODE HOUSING	A	PA66-GF	BLACK		1	10
				HEADER TPA	-	PA66-GF	RED		2	9
				FINGER PROTECTION CAP	-	PA66	BLACK		2	8
				FACE SEAL	-	SILICONE	RED		1	7
				ONE PIECE BUSBAR OVERMOLD.BACK SIDE	-	PA107 MOLDING	-		2	6
				OUTER HOUSING	-	PA66-GF	BLACK		2	5
				INNER HOUSING	-	PA66-GF	BLACK		2	4
				HVIL WIRE (LEONI MOCAR 180 E 0.5SDMM. WHITE ACCORDING TO LV112) WITH TERMINAL	-	-	-		1	3
				HVIL WIRE (LEONI MOCAR 180 E 0.5SDMM. WHITE ACCORDING TO LV112) WITH TERMINAL	-	-	-		2	2
TE-ASSY-NO.	TE REV.	CODE	DESCRIPTION	DESCRIPTION	CODE	AL-ALLOY	PASSIVATION SURFACE COLOR /TREATMENT	WEIGHT (g)	QTY	ITEM

TE-ASSY-NO.	TE REV.	CODE	DESCRIPTION	DESCRIPTION	CODE	MATERIAL	PASSIVATION SURFACE COLOR /TREATMENT	WEIGHT (g)	QTY	ITEM
2-2394071-6	D	L/M	2POS.PIN DIA 10.0 HDR ASSY.90DEG	CODE HOUSING	M	PA66-GF	AQUA RED	(325)	1	11
				CODE HOUSING	L	PA66-GF	AQUA BROWN		1	10
				FOLLOW 2-2394071-1	-	-	-		-	1-9
2-2394071-5	D	J/K	2POS.PIN DIA 10.0 HDR ASSY.90DEG	CODE HOUSING	K	PA66-GF	AQUA GREEN	(325)	1	11
				CODE HOUSING	J	PA66-GF	ORANGE		1	10
				FOLLOW 2-2394071-1	-	-	-		-	1-9
2-2394071-4	D	G/H	2POS.PIN DIA 10.0 HDR ASSY.90DEG	CODE HOUSING	H	PA66-GF	YELLOW	(325)	1	11
				CODE HOUSING	G	PA66-GF	RED		1	10
				FOLLOW 2-2394071-1	-	-	-		-	1-9
2-2394071-3	D	E/F	2POS.PIN DIA 10.0 HDR ASSY.90DEG	CODE HOUSING	F	PA66-GF	BROWN	(325)	1	11
				CODE HOUSING	E	PA66-GF	GREEN		1	10
				FOLLOW 2-2394071-1	-	-	-		-	1-9
2-2394071-2	D	C/D	2POS.PIN DIA 10.0 HDR ASSY.90DEG	CODE HOUSING	D	PA66-GF	PURPLE	(325)	1	11
				CODE HOUSING	C	PA66-GF	Blue		1	10
				FOLLOW 2-2394071-1	-	-	-		-	1-9
2-2394071-1	D	A/B	2POS.PIN DIA 10.0 HDR ASSY.90DEG	CODE HOUSING	B	PA66-GF	NATURE	(325)	1	11
				CODE HOUSING	A	PA66-GF	BLACK		1	10
				HEADER TPA	-	PA66-GF	RED		2	9
				FINGER PROTECTION CAP	-	PA66	BLACK		2	8
				FACE SEAL	-	SILICONE	RED		1	7
				ONE PIECE BUSBAR OVERMOLD.TOP SIDE	-	PA107 MOLDING	-		2	6
				OUTER HOUSING	-	PA66-GF	BLACK		2	5
				INNER HOUSING	-	PA66-GF	BLACK		2	4
				HVIL WIRE (LEONI MOCAR 180 E 0.5SDMM. WHITE ACCORDING TO LV112) WITH TERMINAL	-	-	-		1	3
				HVIL WIRE (LEONI MOCAR 180 E 0.5SDMM. WHITE ACCORDING TO LV112) WITH TERMINAL	-	-	-		2	2
TE-ASSY-NO.	TE REV.	CODE	DESCRIPTION	DESCRIPTION	CODE	AL-ALLOY	PASSIVATION SURFACE COLOR /TREATMENT	WEIGHT (g)	QTY	ITEM

THIS DRAWING IS A CONTROLLED DOCUMENT.

DATE	26AUG2021
BY	SHI
CHK	LL
DATE	26AUG2021
BY	LL
CHK	LL
DATE	26AUG2021
BY	LL
CHK	LL

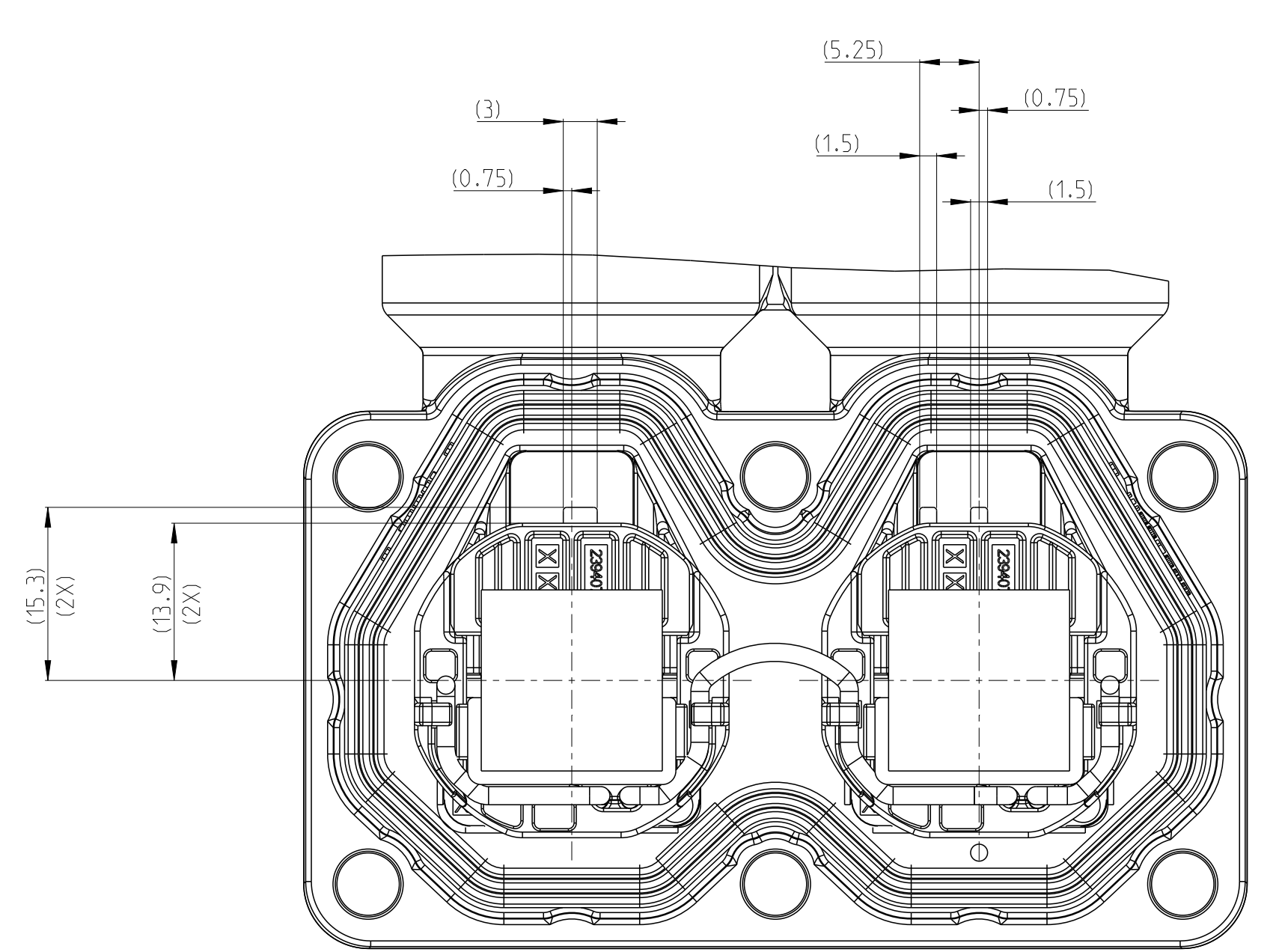
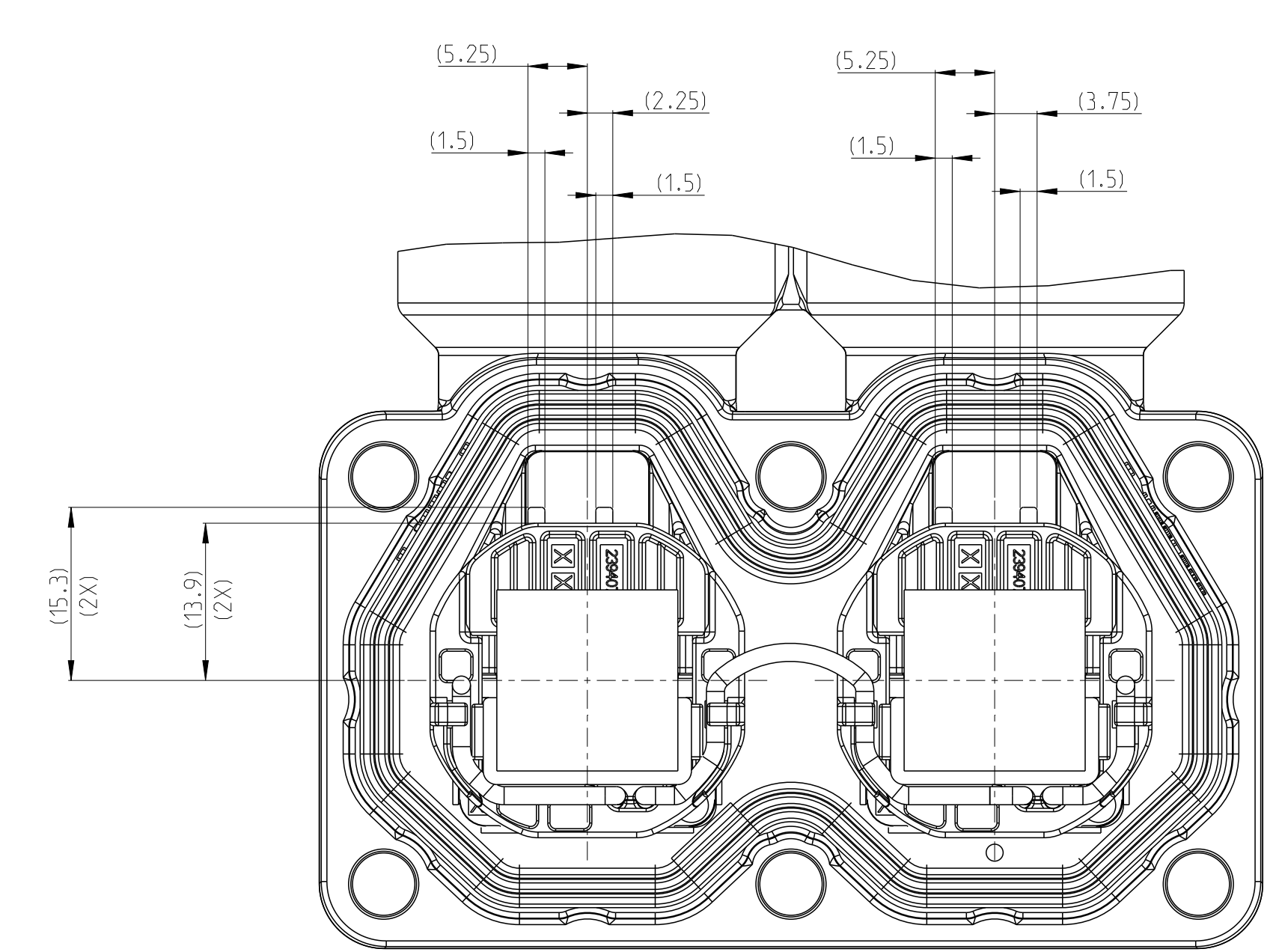
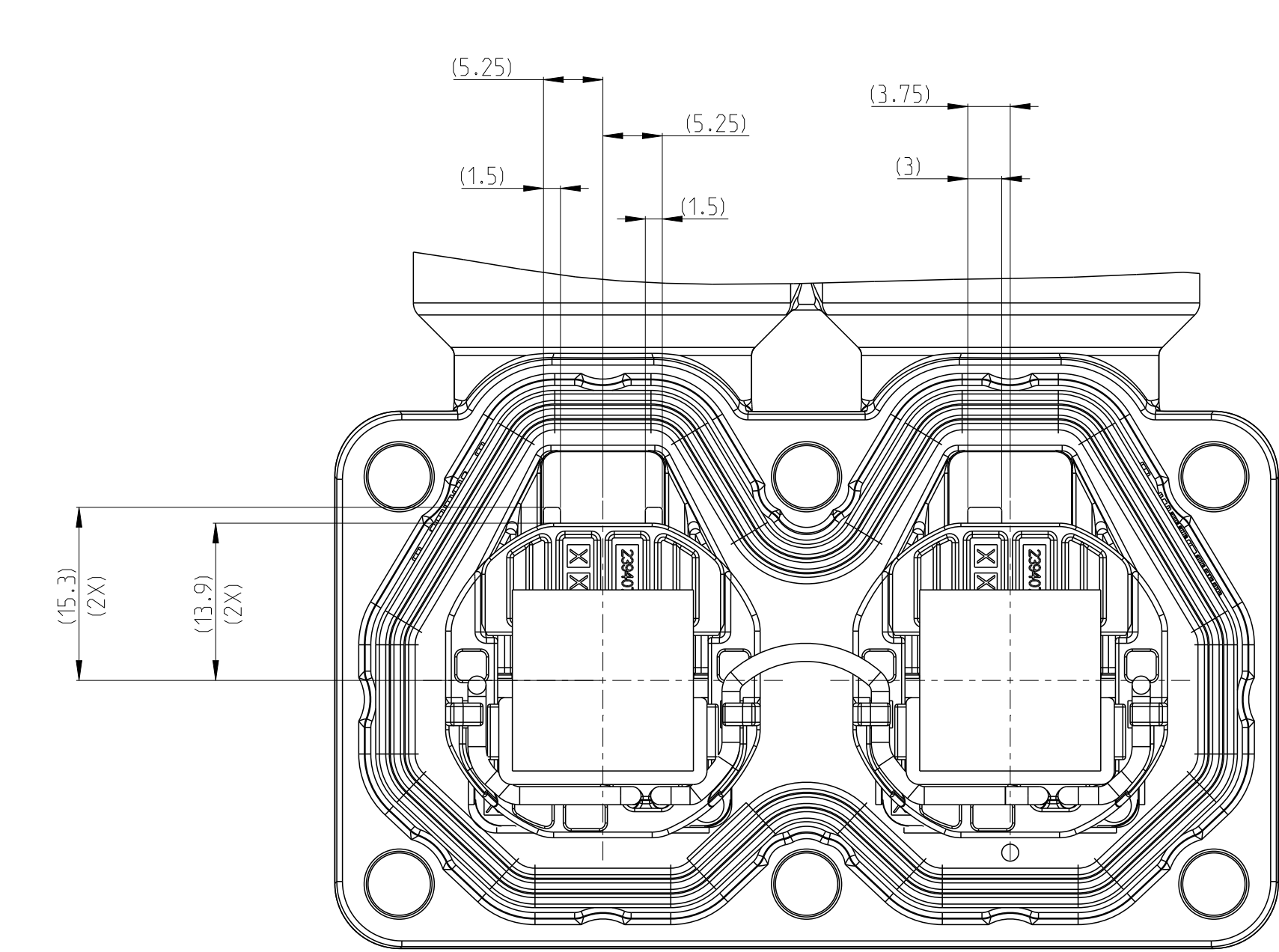
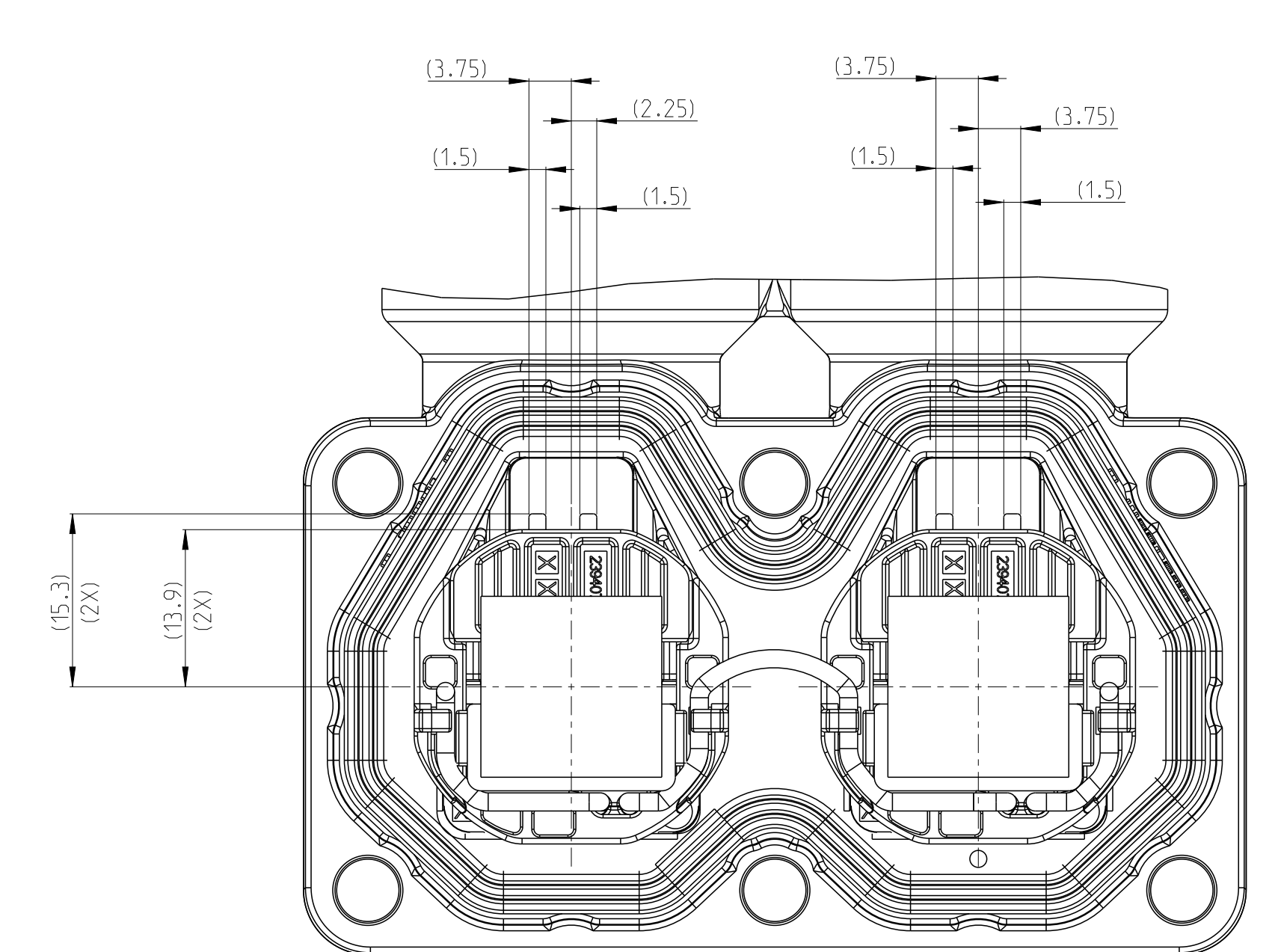
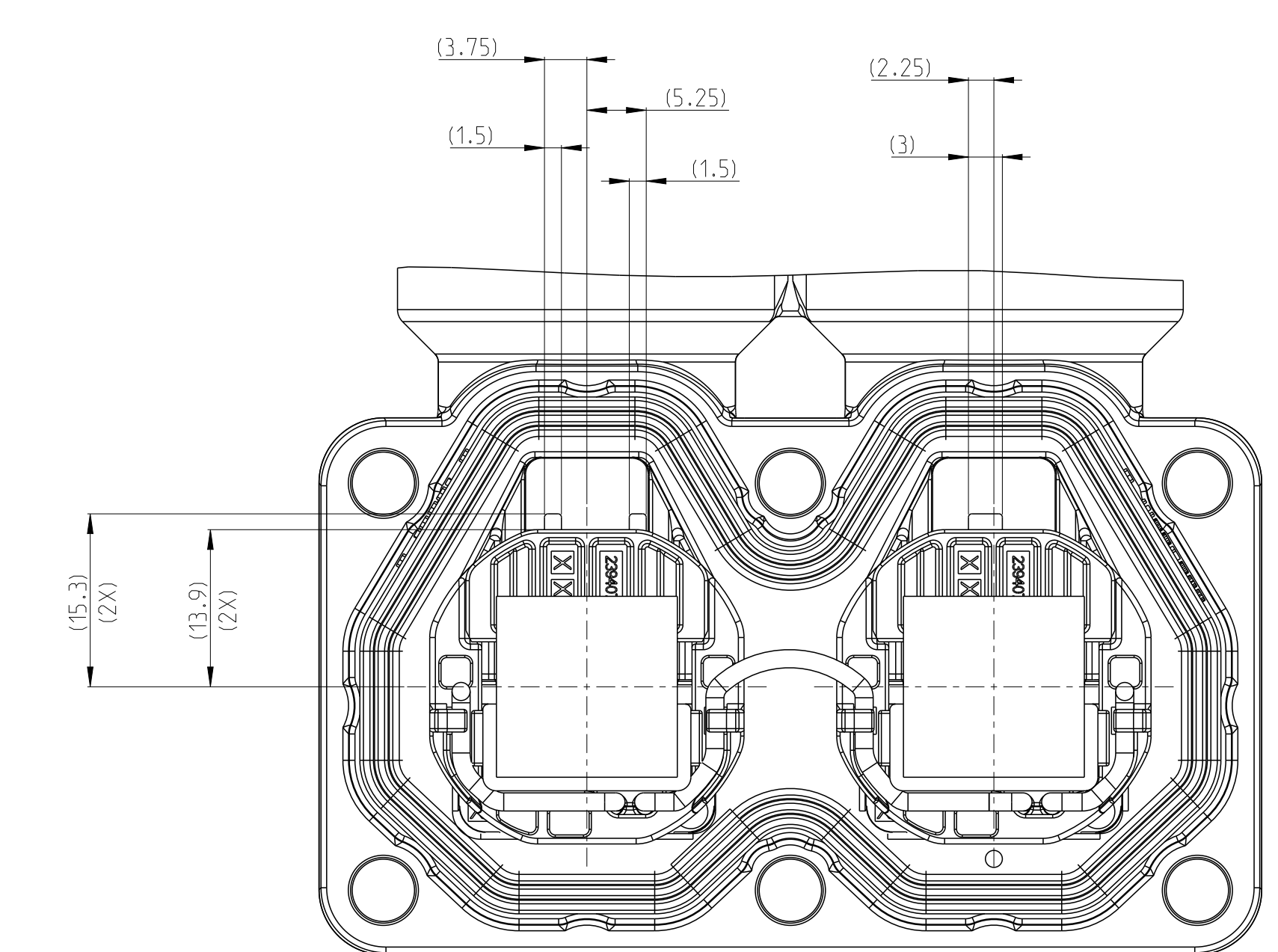
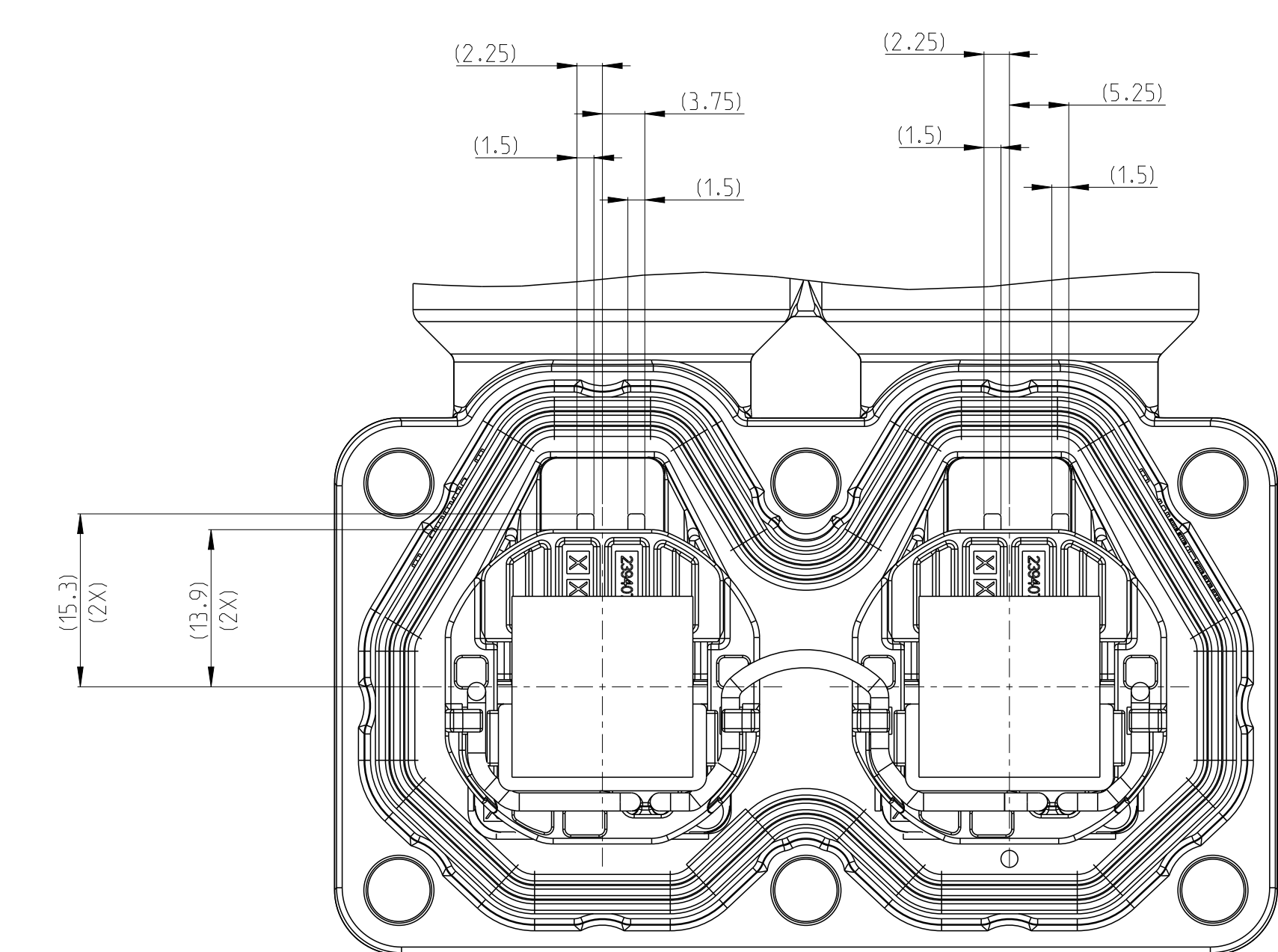
TE Connectivity

2POS.PIN DIA 10.0 HDR ASSY.90DEG
HVP-HD1000

108-160341
114-160181

SCALE: 2:1 SHEET 2 OF 4 REV D1

REVISIONS				
REV	DATE	DESCRIPTION	BY	APP'D
-		SEE SHEET 1	-	-

TABLE 4					
•-1		•-2		•-3	
CODE A	CODE B	CODE C	CODE D	CODE E	CODE F
					
•-4		•-5		•-6	
CODE G	CODE H	CODE J	CODE K	CODE L	CODE M
					

THIS DRAWING IS A CONTROLLED DOCUMENT.

DATE	26AUG2021	BY	SHI
CHK	26AUG2021	APP'D	LL
REV	26AUG2021	PRODUCT SPEC	114-160341
1	0.5	APPLICATION SPEC	114-160181
2	0.5	WEIGHT	SEE TABLE
3	0.5	CUSTOMER DRAWING	
4	0.0001		
5	0.0001		

MATERIAL: SEE TABLE

SCALE: 2:1

SHEET 3 OF 4

REV D1

2POS.PIN DIA 10.0 HDR ASSY.90DEG
HVP-HD1000

SIZE: A0 CASE CODE: 00779 DRAWING NO: C=2394071

RESTRICTED TO: -

