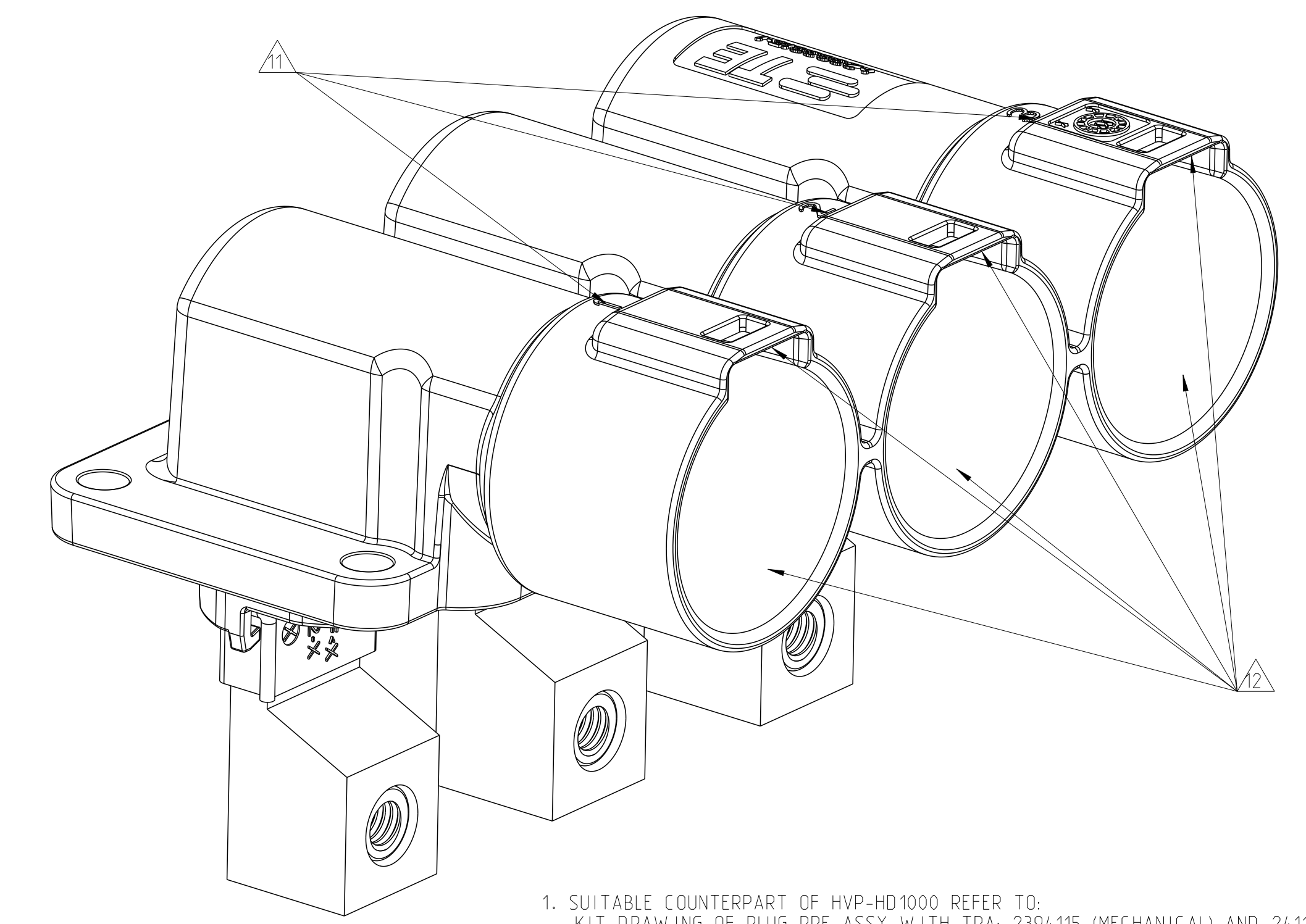
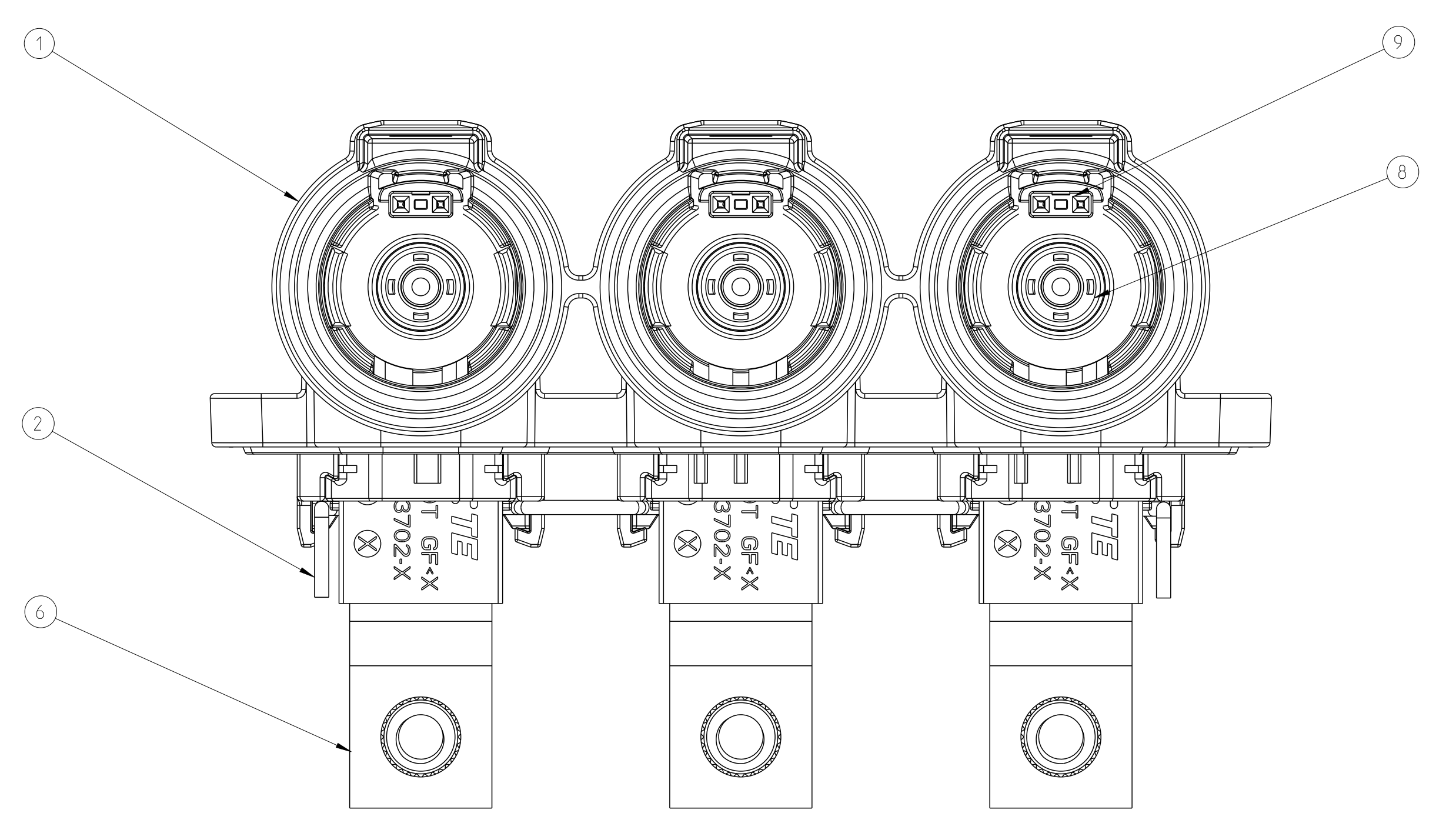
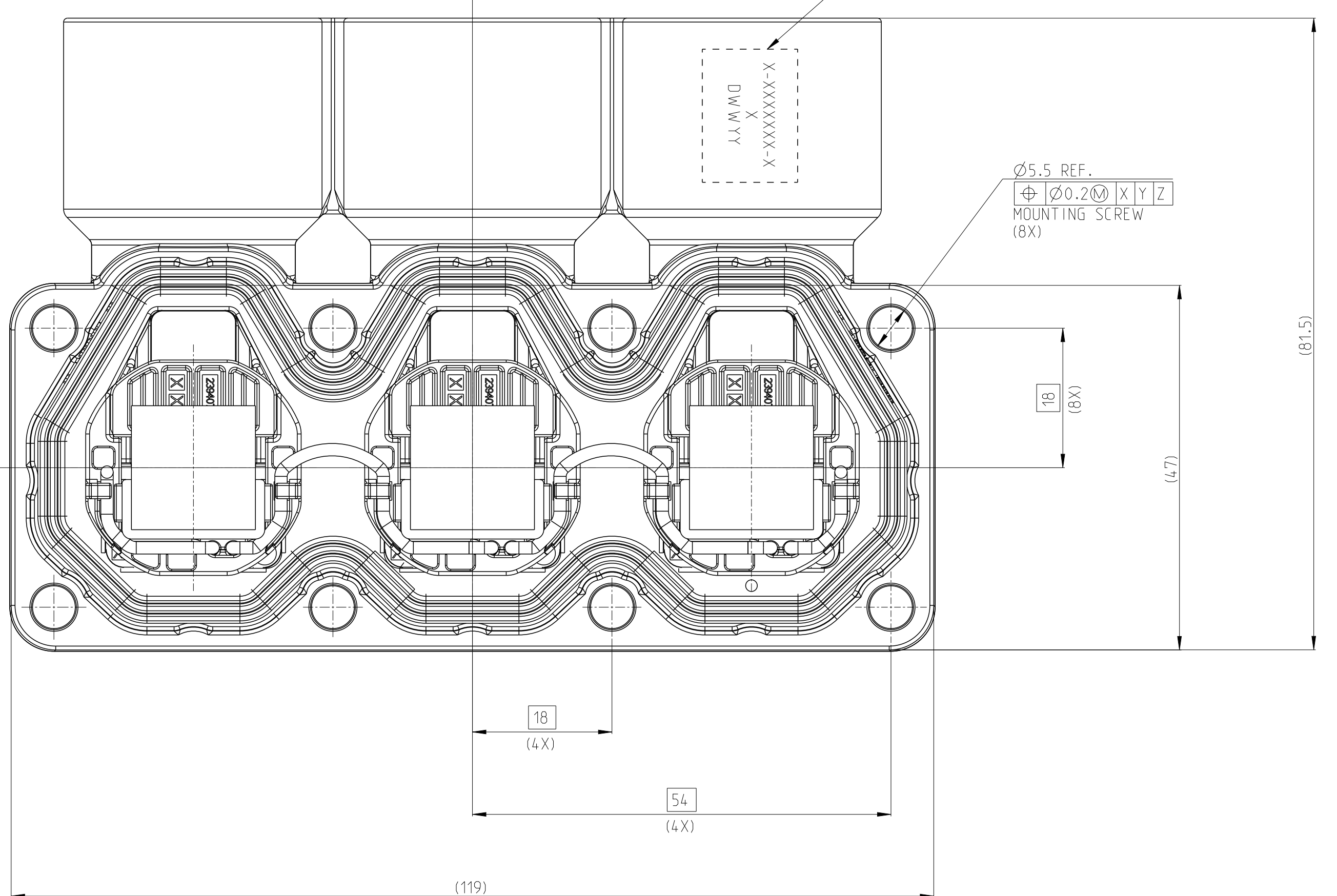
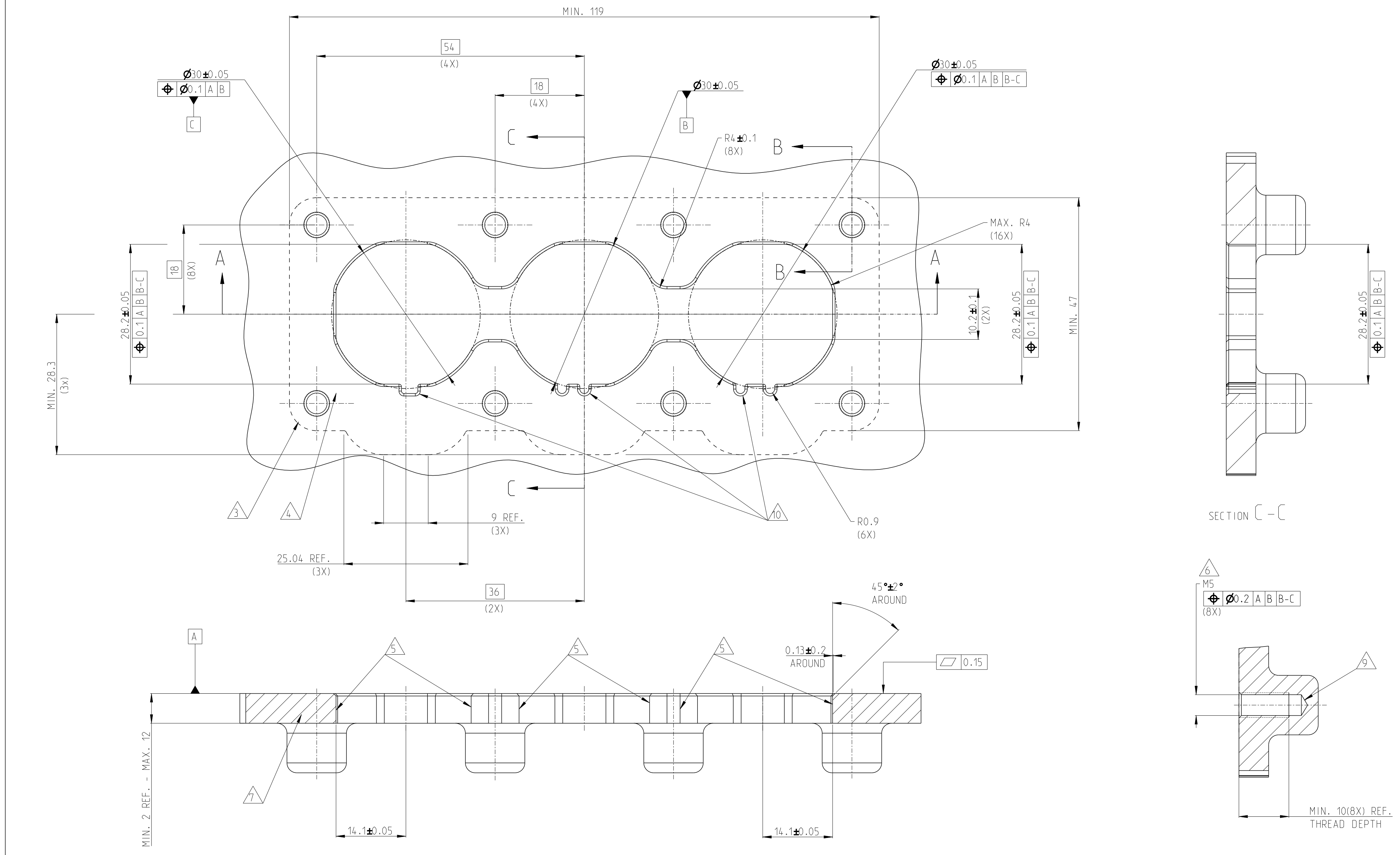
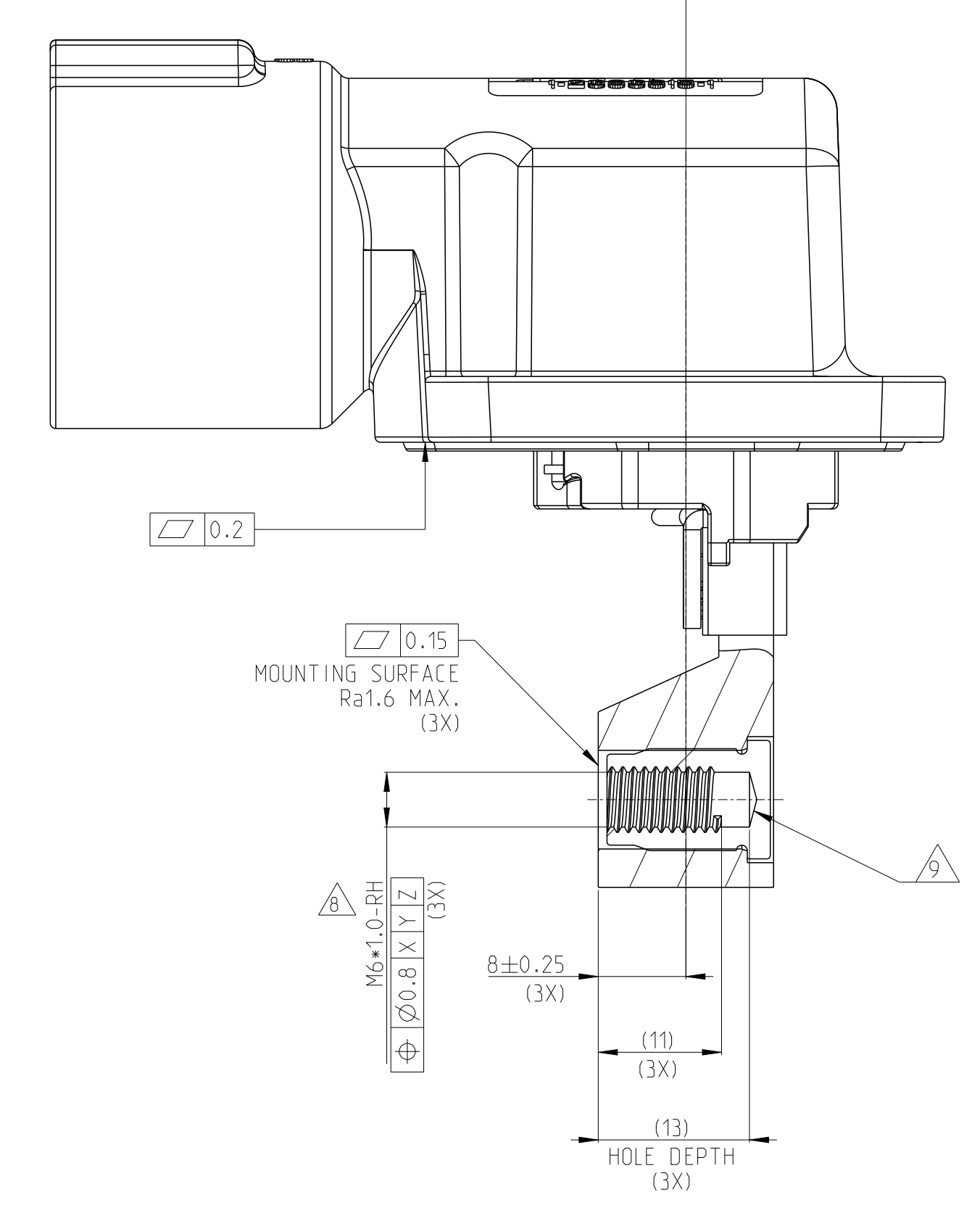
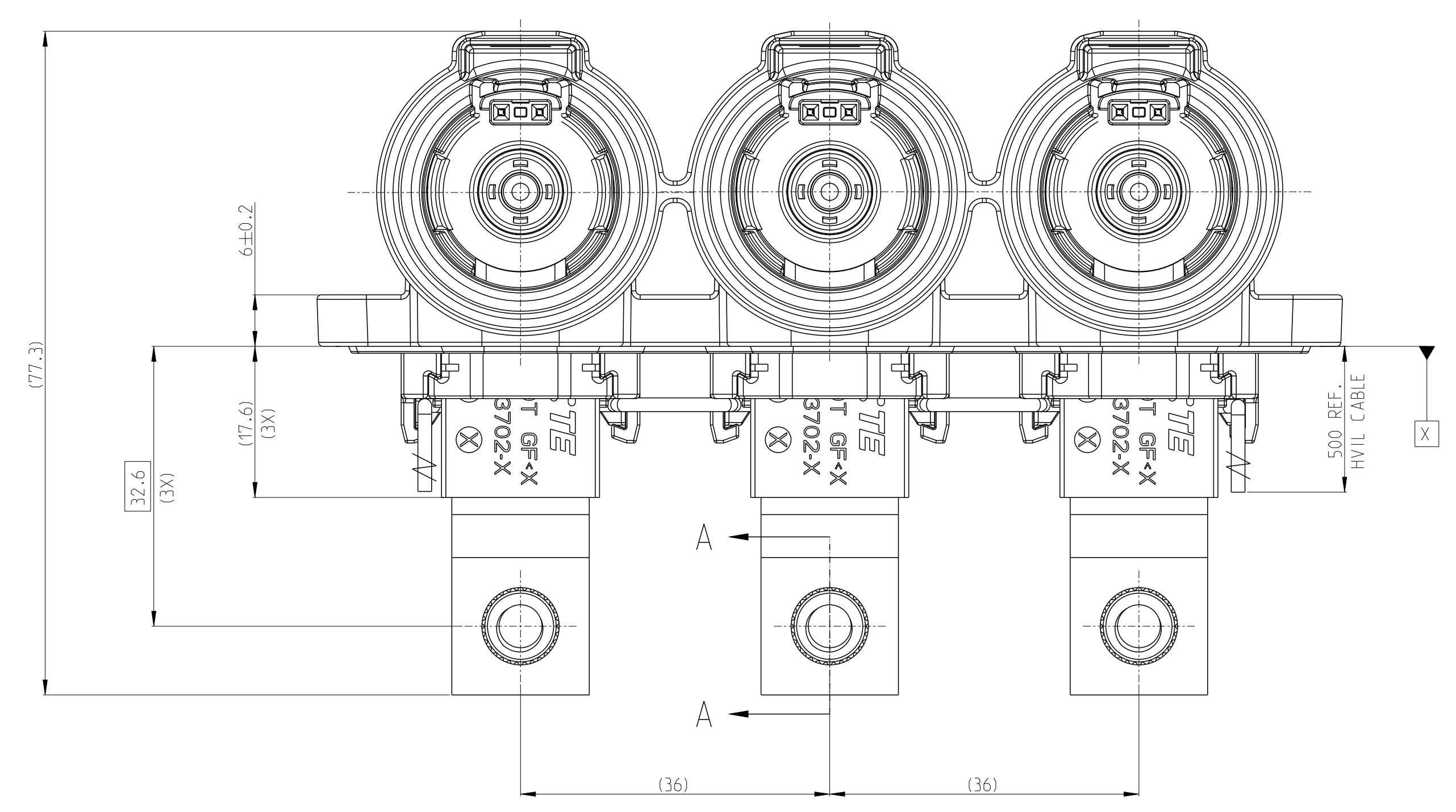
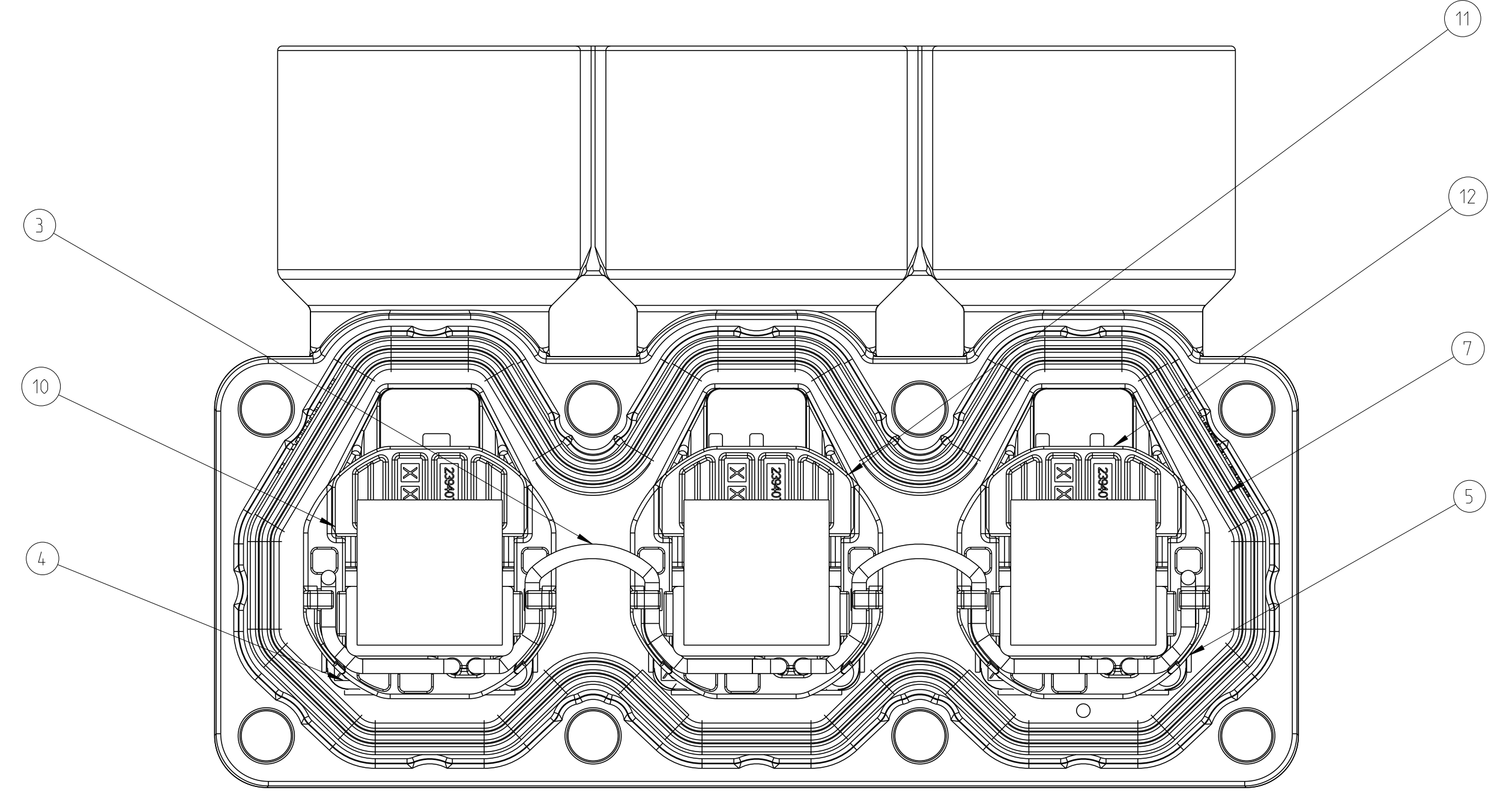


ADAPTER PLATE - HVP-HD1000 3POS HEADER INTERFACE

REVISIONS				
REV	DATE	BY	APPV	DESCRIPTION
B	24.03.23	C.C	7.2	BUSBAR TERMINAL HOUSING CHANGED AND CHAMFER ADDED. LAMP MATERIAL CHANGED
C	30.04.23	C.C	7.2	PLATING PROCESS CHANGED. LUBRICANT ADDED. SPRING WIRE AND HOUSING FACE FIN. MATERIAL CHANGED. BUSHING MATERIAL ADDED
D	14.05.24	C.C	7.2	PCN-24-206191
D1	30.05.24	S.T	7.2	ADD PLATING PROCESS HOLE IN THE TOP ORIENTATION OF BUSBAR



TE-ASSY-NO.	TE REV.	CODE	DESCRIPTION	DESCRIPTION	CODE	MATERIAL	PASSIVATION	SURFACE COLOR / TREATMENT	WEIGHT (g)	QTY	ITEM
2394072-4	D	K/L/M	3POS.PIN DIA 10.0 HDR ASSY.90DEG	CODE HOUSING	M	PA66-GF	AQUA RED		1	12	
				CODE HOUSING	L	PA66-GF	AQUA BROWN		1	11	
				CODE HOUSING	K	PA66-GF	AQUA GREEN		1	10	
				FOLLOW 2394072-1			-	-	-	-	-
2394072-3	D	G/H/J	3POS.PIN DIA 10.0 HDR ASSY.90DEG	CODE HOUSING	J	PA66-GF	ORANGE		1	12	
				CODE HOUSING	H	PA66-GF	YELLOW		1	11	
				CODE HOUSING	G	PA66-GF	RED		1	10	
				FOLLOW 2394072-1			-	-	-	-	-
2394072-2	D	D/E/F	3POS.PIN DIA 10.0 HDR ASSY.90DEG	CODE HOUSING	F	PA66-GF	BROWN		1	12	
				CODE HOUSING	E	PA66-GF	GREEN		1	11	
				CODE HOUSING	D	PA66-GF	PURPLE		1	10	
				FOLLOW 2394072-1			-	-	-	-	-
2394072-1	D	A/B/C	3POS.PIN DIA 10.0 HDR ASSY.90DEG	CODE HOUSING	C	PA66-GF	BLUE		1	12	
				CODE HOUSING	B	PA66-GF	NATURE		1	11	
				CODE HOUSING	A	PA66-GF	BLACK		1	10	
				HEADER TPA	-	PA66-GF	RED		3	9	
				FINGER PROTECTION CAP	-	PA66	BLACK		3	8	
				FACE SEAL	-	SILICONE	RED		1	7	
				ONE PIECE BUSBAR OVERMOLD.FRONT SIDE	-	PA10T MOLDING	-		3	6	
				OUTER HOUSING	-	PA66-GF	BLACK		3	5	
				INNER HOUSING	-	PA66-GF	BLACK		3	4	
				HVIL WIRE (LEONI MOCAR 180 E 0.550MM, WHITE ACCORDING TO LV112) WITH TERMINAL	-	-	-		2	3	
				HVIL WIRE (LEONI MOCAR 180 E 0.550MM, WHITE ACCORDING TO LV112) WITH TERMINAL	-	-	-		2	2	
				HEADER HOUSING 90DEG.3POS	-	AL-ALLOY	PASSIVATION		1	1	



- 1. SUITABLE COUNTERPART OF HVP-HD1000 REFER TO: KIT DRAWING OF PLUG PRE ASSY WITH TPA: 2394115 (MECHANICAL) AND 2411905 (EMPT)
- DRAWING OF PLUG PRE ASSY WITHOUT TPA: 2409547
- DRAWING OF TPA: 2394114
- ▲ CODING VARIANT
- ▲ MOUNTING SPACE FOR HEADER
- ▲ SEALING AREA: NO BURR, TOOL PARTING, SHRINKAGE, CAVITIES AND GATE MARKS PERMITTED. SURFACE ROUGHNESS: Ra=1.6
- ▲ DRAFT ANGLE UP TO 0.5° PERMITTED
- ▲ MOUNTING SCREW M5 (RECOMMENDED SCREW PLATING: ZINC-NICKEL). SCREW TYPE UP TO MANUFACTURER
- ▲ MATERIAL: CORROSION RESISTANT, ELECTROCONDUCTIVE
- ▲ SCREW M6 FOR BUSBAR CONNECTION
- ▲ ALL THREAD HOLES ARE BLIND HOLES
- ▲ INTERFACE PANEL CODE SEE SHEET 4
- ▲ POSITION NUMBER
- ▲ LUBRICANT APPLIED ON THE RADIAL SEAL AND CPA AREA
- ▲ ASSEMBLY PN: X-XXXXXX-X
- ▲ ASSEMBLY REV: X
- ▲ DATE CODE: BWWYY

THIS DRAWING IS A CONTROLLED DOCUMENT.

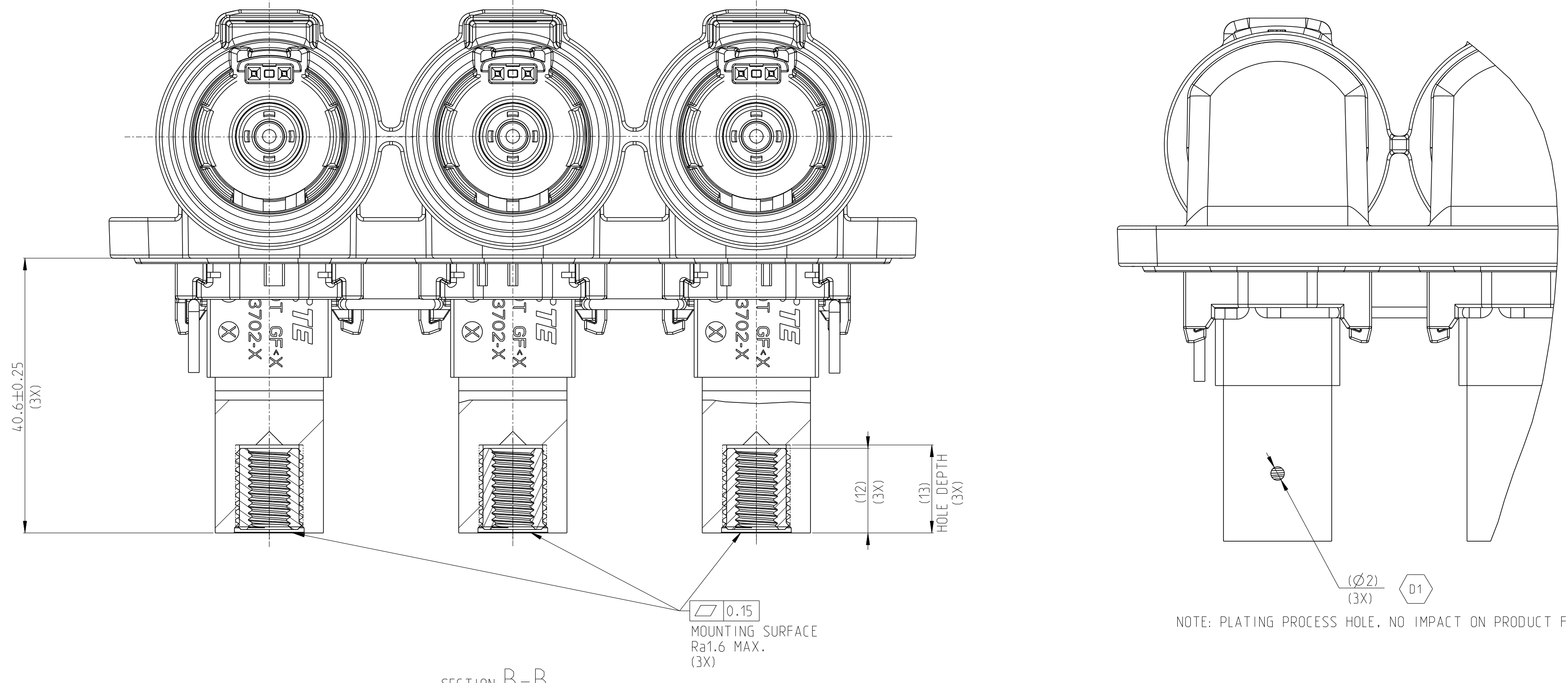
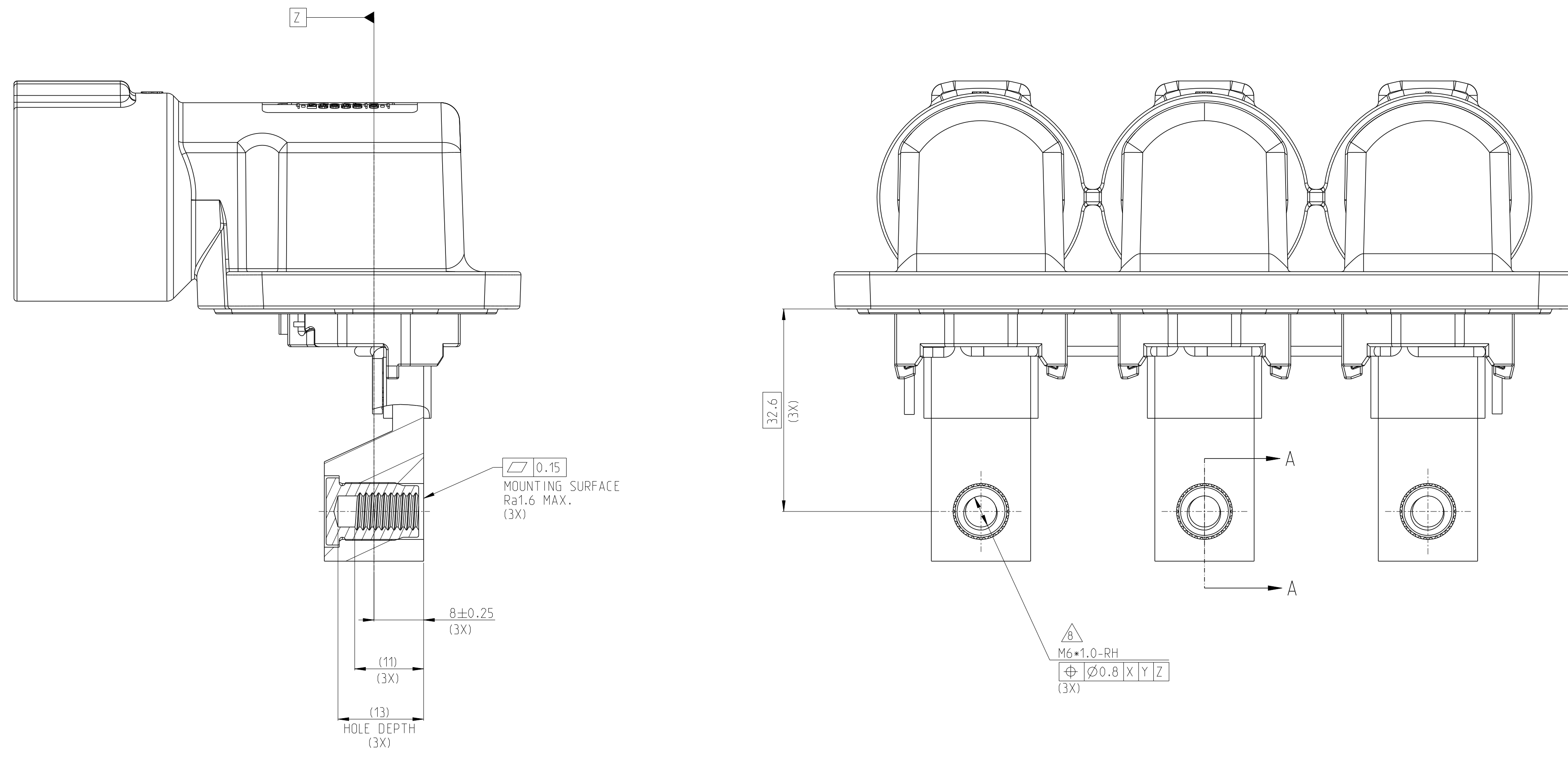
DATE: 26AUG2021	BY: J.LL	APPV: J.VIN
DATE: 26AUG2021	BY: J.LL	APPV: J.VIN

TE Connectivity

3POS.PIN DIA 10.0 HDR ASSY.90DEG
HVP-HD1000

SCALE: 2:1 SHEET 1 OF 4 REV D1

REVISIONS			
REV	DATE	DESCRIPTION	APP'D
1		SEE SHEET 1	



SECTION A-A

SECTION B-B

MISSING DIMENSIONS REFER TO 2394072-1

MISSING DIMENSIONS REFER TO 2394072-1

TE-ASSY-NO.	TE REV.	CODE	DESCRIPTION	DESCRIPTION	CODE	MATERIAL	PASSIVATION SURFACE COLOR / TREATMENT	WEIGHT (g)	QTY	ITEM
1-2394072-4	D	K/L/M	3POS.PIN DIA 10.0 HDR ASSY.90DEG	CODE HOUSING	M	PA66-GF	AQUA RED	(480)	1	12
				CODE HOUSING	L	PA66-GF	AQUA BROWN		1	11
				CODE HOUSING	K	PA66-GF	AQUA GREEN		1	10
				FOLLOW 1-2394072-1	-	-	-		-	1-9
1-2394072-3	D	G/H/J	3POS.PIN DIA 10.0 HDR ASSY.90DEG	CODE HOUSING	J	PA66-GF	ORANGE	(480)	1	12
				CODE HOUSING	H	PA66-GF	YELLOW		1	11
				CODE HOUSING	G	PA66-GF	RED		1	10
				FOLLOW 1-2394072-1	-	-	-		-	1-9
1-2394072-2	D	D/E/F	3POS.PIN DIA 10.0 HDR ASSY.90DEG	CODE HOUSING	F	PA66-GF	BROWN	(480)	1	12
				CODE HOUSING	E	PA66-GF	GREEN		1	11
				CODE HOUSING	D	PA66-GF	PURPLE		1	10
				FOLLOW 1-2394072-1	-	-	-		-	1-9
1-2394072-1	D	A/B/C	3POS.PIN DIA 10.0 HDR ASSY.90DEG	CODE HOUSING	C	PA66-GF	BLUE	(480)	1	12
				CODE HOUSING	B	PA66-GF	NATURE		1	11
				CODE HOUSING	A	PA66-GF	BLACK		1	10
				HEADER TPA	-	PA66-GF	RED		3	9
				FINGER PROTECTION CAP	-	PA66	BLACK		3	8
				FACE SEAL	-	SILICONE	RED		1	7
				ONE PIECE BUSBAR OVERMOLD, BACK SIDE	-	PA66 MOLDING	-		3	6
				OUTER HOUSING	-	PA66-GF	BLACK		3	5
				INNER HOUSING	-	PA66-GF	BLACK		3	4
				HVIL WIRE (LEONI MOCAR 180 E 0.5SQMM, WHITE ACCORDING TO LV112) WITH TERMINAL	-	-	-		2	3
				HVIL WIRE (LEONI MOCAR 180 E 0.5SQMM, WHITE ACCORDING TO LV112) WITH TERMINAL	-	-	-		2	2
				HEADER HOUSING 90DEG, 3POS	-	AL-ALLOY	PASSIVATION SURFACE COLOR / TREATMENT		1	1

TE-ASSY-NO.	TE REV.	CODE	DESCRIPTION	DESCRIPTION	CODE	MATERIAL	PASSIVATION SURFACE COLOR / TREATMENT	WEIGHT (g)	QTY	ITEM
2-2394072-4	D	K/L/M	3POS.PIN DIA 10.0 HDR ASSY.90DEG	CODE HOUSING	M	PA66-GF	AQUA RED	(480)	1	12
				CODE HOUSING	L	PA66-GF	AQUA BROWN		1	11
				CODE HOUSING	K	PA66-GF	AQUA GREEN		1	10
				FOLLOW 2-2394072-1	-	-	-		-	1-9
2-2394072-3	D	G/H/J	3POS.PIN DIA 10.0 HDR ASSY.90DEG	CODE HOUSING	J	PA66-GF	ORANGE	(480)	1	12
				CODE HOUSING	H	PA66-GF	YELLOW		1	11
				CODE HOUSING	G	PA66-GF	RED		1	10
				FOLLOW 2-2394072-1	-	-	-		-	1-9
2-2394072-2	D	D/E/F	3POS.PIN DIA 10.0 HDR ASSY.90DEG	CODE HOUSING	F	PA66-GF	BROWN	(480)	1	12
				CODE HOUSING	E	PA66-GF	GREEN		1	11
				CODE HOUSING	D	PA66-GF	PURPLE		1	10
				FOLLOW 2-2394072-1	-	-	-		-	1-9
2-2394072-1	D	A/B/C	3POS.PIN DIA 10.0 HDR ASSY.90DEG	CODE HOUSING	C	PA66-GF	BLUE	(480)	1	12
				CODE HOUSING	B	PA66-GF	NATURE		1	11
				CODE HOUSING	A	PA66-GF	BLACK		1	10
				HEADER TPA	-	PA66-GF	RED		3	9
				FINGER PROTECTION CAP	-	PA66	BLACK		3	8
				FACE SEAL	-	SILICONE	RED		1	7
				ONE PIECE BUSBAR OVERMOLD, TOP SIDE	-	PA66 MOLDING	-		3	6
				OUTER HOUSING	-	PA66-GF	BLACK		3	5
				INNER HOUSING	-	PA66-GF	BLACK		3	4
				HVIL WIRE (LEONI MOCAR 180 E 0.5SQMM, WHITE ACCORDING TO LV112) WITH TERMINAL	-	-	-		2	3
				HVIL WIRE (LEONI MOCAR 180 E 0.5SQMM, WHITE ACCORDING TO LV112) WITH TERMINAL	-	-	-		2	2
				HEADER HOUSING 90DEG, 3POS	-	AL-ALLOY	PASSIVATION SURFACE COLOR / TREATMENT		1	1

THIS DRAWING IS A CONTROLLED DOCUMENT.

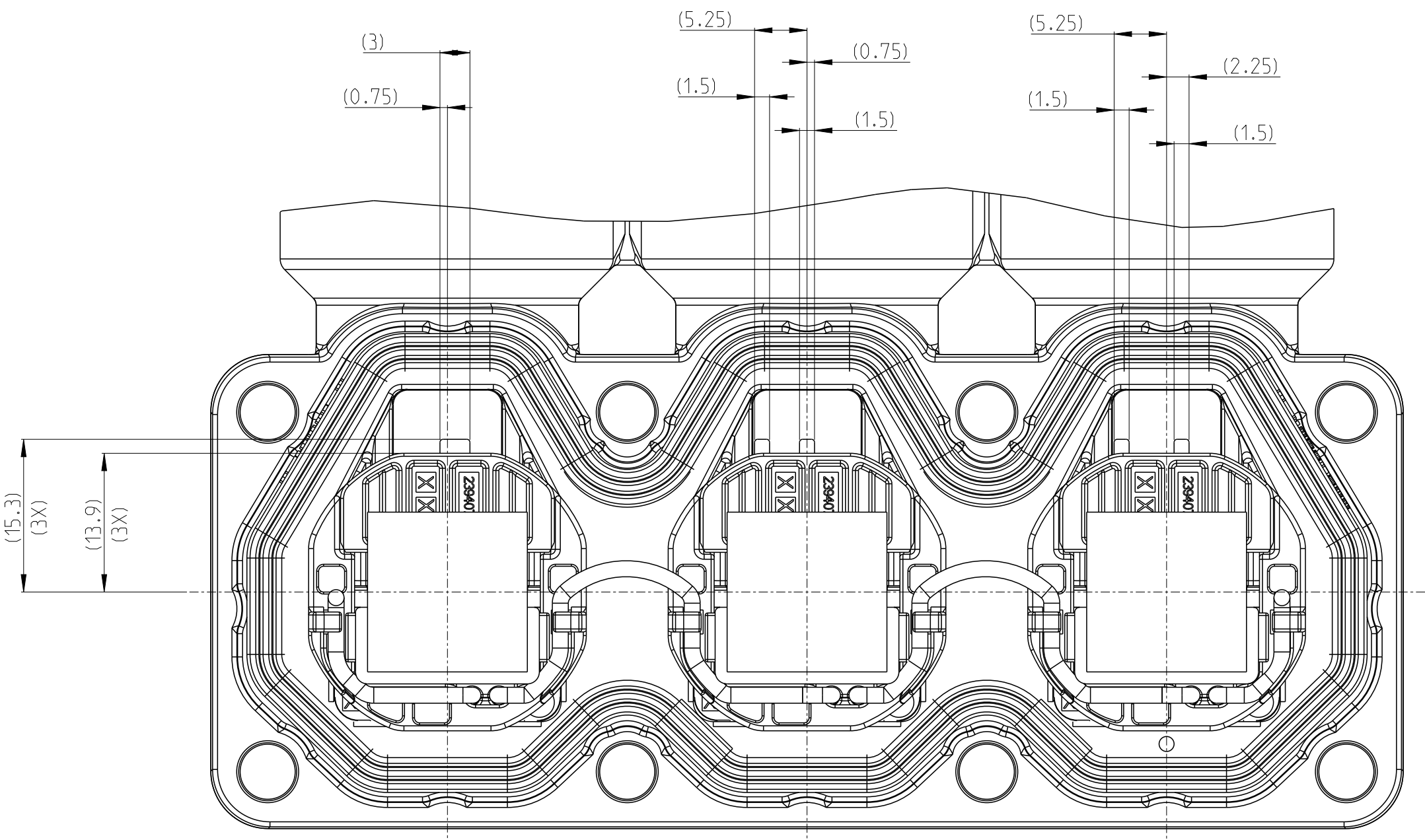
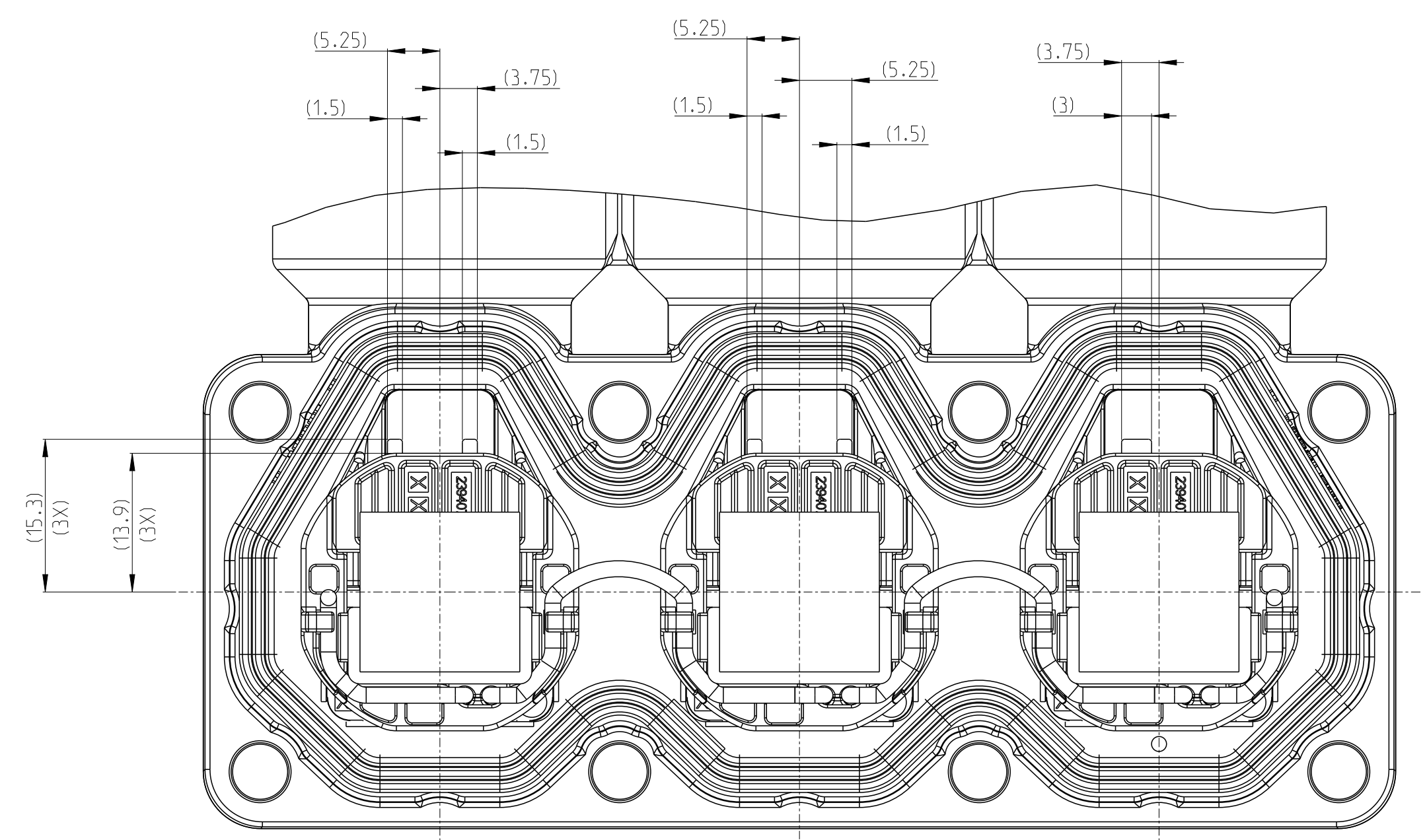
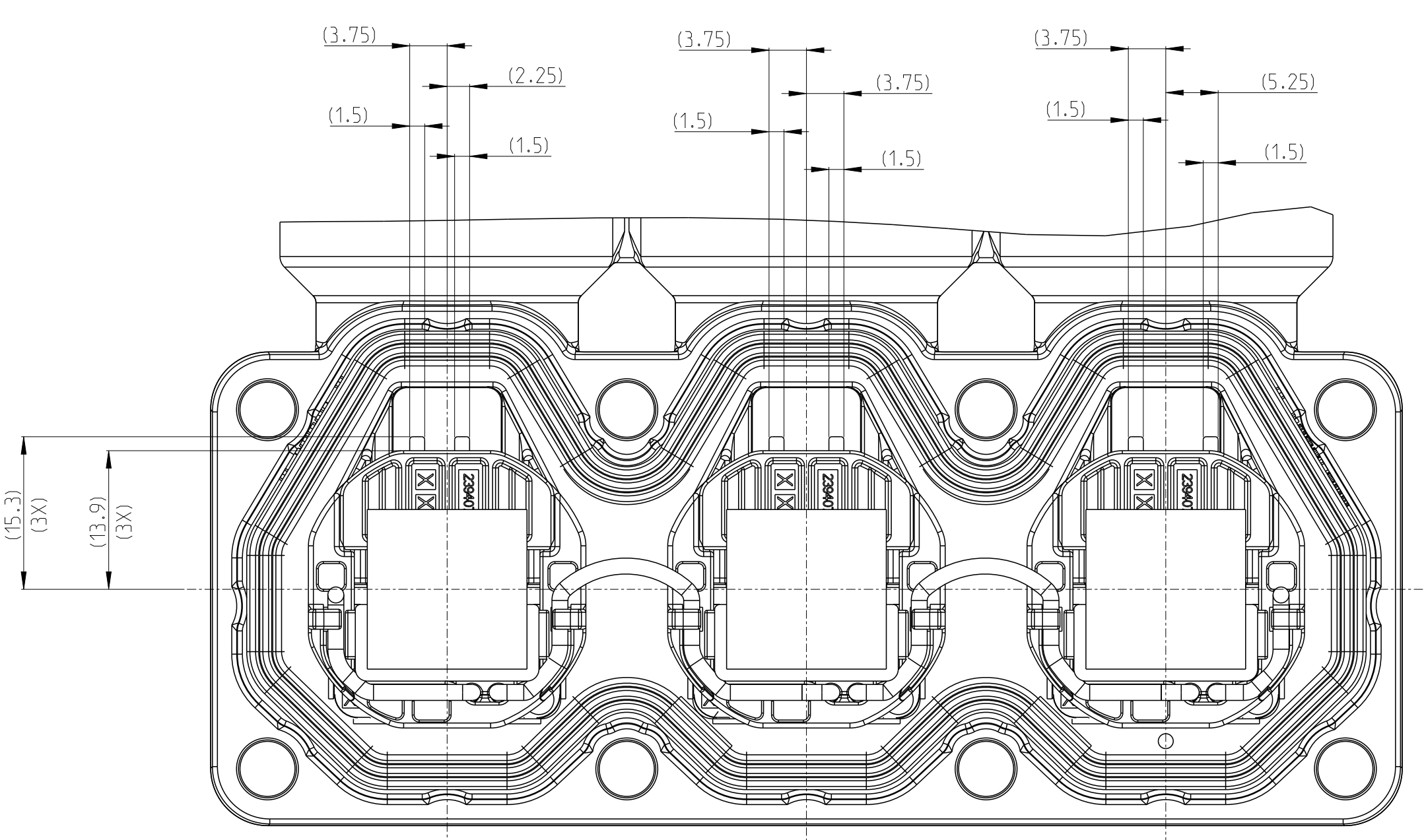
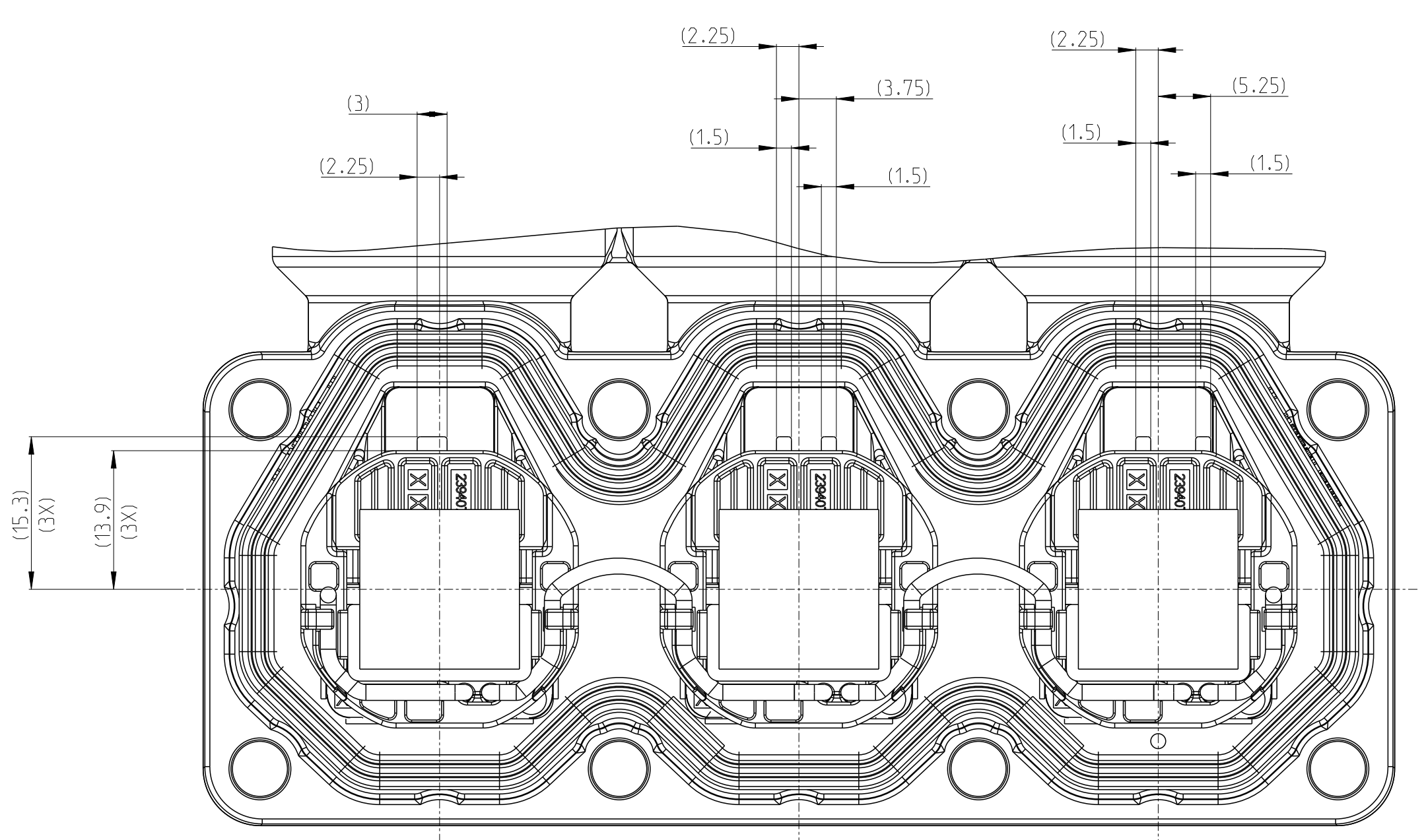
DATE: 26AUG2021
 CHK: L.L.
 APP'D: L.L.
 PRODUCT SPEC: 108-160341
 APPLICATION SPEC: 114-160181
 WEIGHT: SEE TABLE
 CUSTOMER DRAWING

STE TE Connectivity
 3POS.PIN DIA 10.0 HDR ASSY.90DEG
 HVP-HD1000

SCALE: 2:1 SHEET 2 OF 4 REV'D 1

REVISIONS			
REV	DATE	DESCRIPTION	APP'D
1		SEE SHEET 1	

2

TABLE 5					
*-1			*-2		
CODE A	CODE B	CODE C	CODE D	CODE E	CODE F
					
*-3			*-4		
CODE G	CODE H	CODE J	CODE K	CODE L	CODE M
					

THIS DRAWING IS A CONTROLLED DOCUMENT.

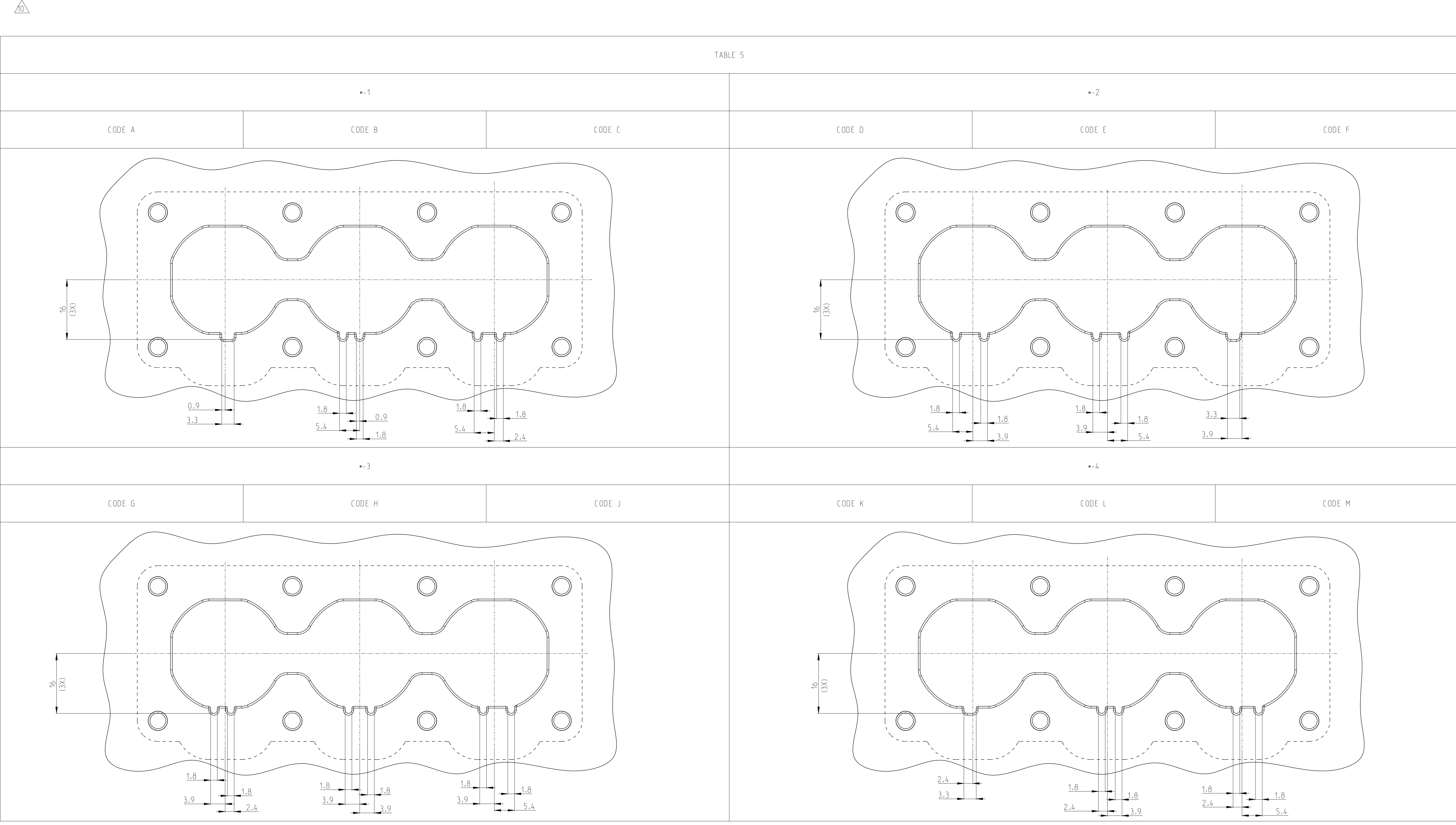
DATE: 26AUG2021	REV: 1	BY: SHI
DATE: 26AUG2021	REV: 1	CHK: LLL
DATE: 26AUG2021	REV: 1	APP'D: YIN

TE Connectivity

3POS.PIN DIA 10.0 HDR ASSY.90DEG
HVP-HD1000

SCALE: 2:1 SHEET 3 OF 4 REV'D 1

REVISIONS			
REV	DATE	DESCRIPTION	BY
1		SEE SHEET 1	



THIS DRAWING IS A CONTROLLED DOCUMENT.

DATE: 26AUG2021	BY: N.S.H.
DATE: 26AUG2021	CHK: L.L.
DATE: 26AUG2021	APP: J.V.N.

DIMENSIONS: UNLESS OTHERWISE SPECIFIED
 1. ALL DIMENSIONS ARE IN MILLIMETERS
 2. DIMENSIONS ARE TO CENTER UNLESS OTHERWISE SPECIFIED
 3. DIMENSIONS ARE TO DIMENSION LINES UNLESS OTHERWISE SPECIFIED
 4. DIMENSIONS ARE TO DIMENSION POINTS UNLESS OTHERWISE SPECIFIED
 5. DIMENSIONS ARE TO DIMENSION SURFACES UNLESS OTHERWISE SPECIFIED
 6. DIMENSIONS ARE TO DIMENSION EDGES UNLESS OTHERWISE SPECIFIED
 7. DIMENSIONS ARE TO DIMENSION HOLES UNLESS OTHERWISE SPECIFIED
 8. DIMENSIONS ARE TO DIMENSION SURFACES UNLESS OTHERWISE SPECIFIED
 9. DIMENSIONS ARE TO DIMENSION SURFACES UNLESS OTHERWISE SPECIFIED
 10. DIMENSIONS ARE TO DIMENSION SURFACES UNLESS OTHERWISE SPECIFIED

NAME: 3POS. PIN DIA 10.0 HDR ASSY.90DEG HVP-HD1000	DATE: 26AUG2021
PRODUCT SPEC: 108-160341	DATE: 26AUG2021
APPLICATION SPEC: 114-160181	DATE: 26AUG2021
WEIGHT: SEE TABLE	DATE: 26AUG2021

MATERIAL: SEE TABLE
 CUSTOMER DRAWING
 SCALE: 2:1
 SHEET: 6 of 6
 REV: D1

STE TE Connectivity
 3POS. PIN DIA 10.0 HDR ASSY.90DEG HVP-HD1000
 SITE: 00779
 CASE CODE: C=2394072
 RESTRICTED TO: -