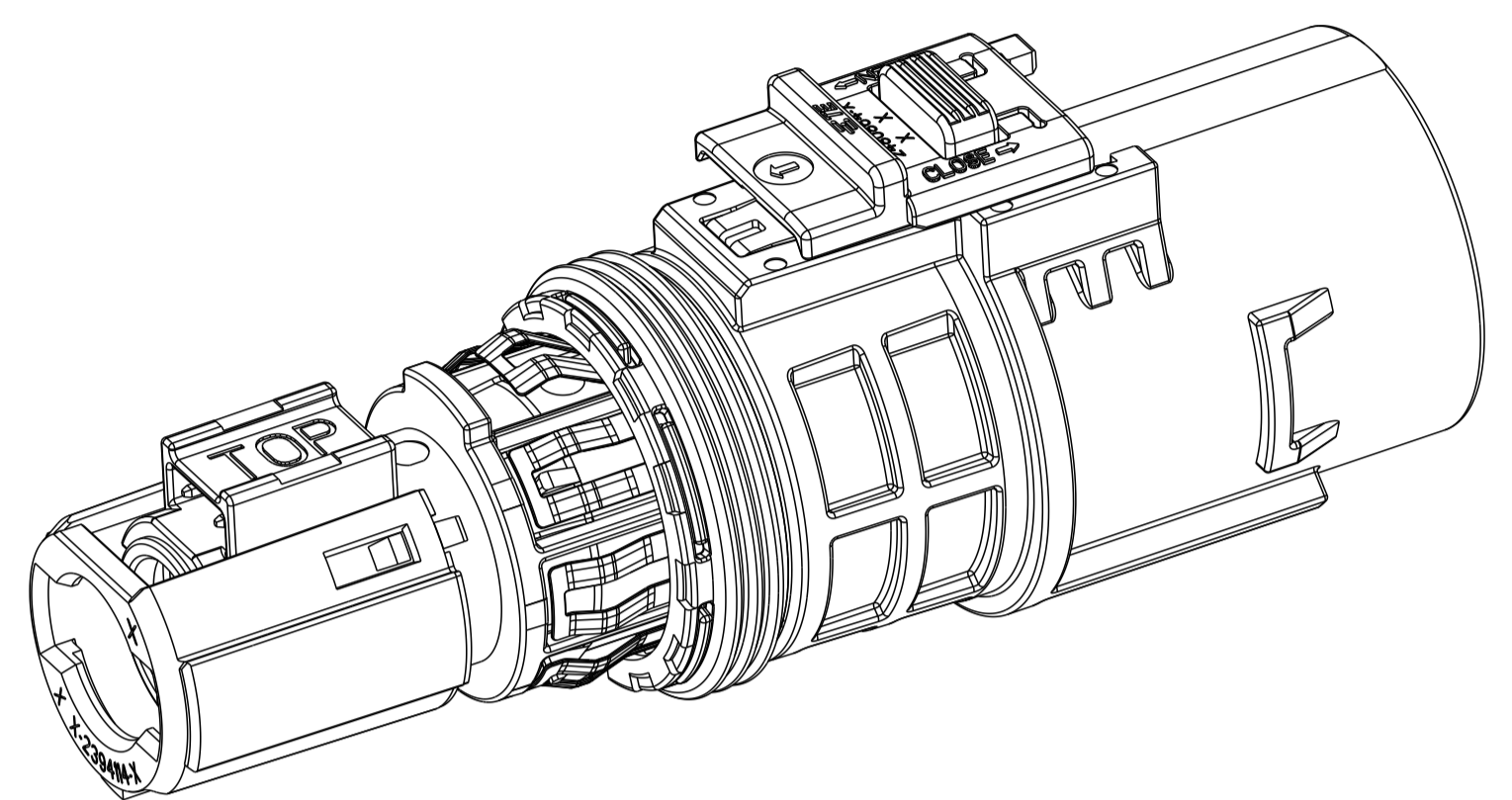
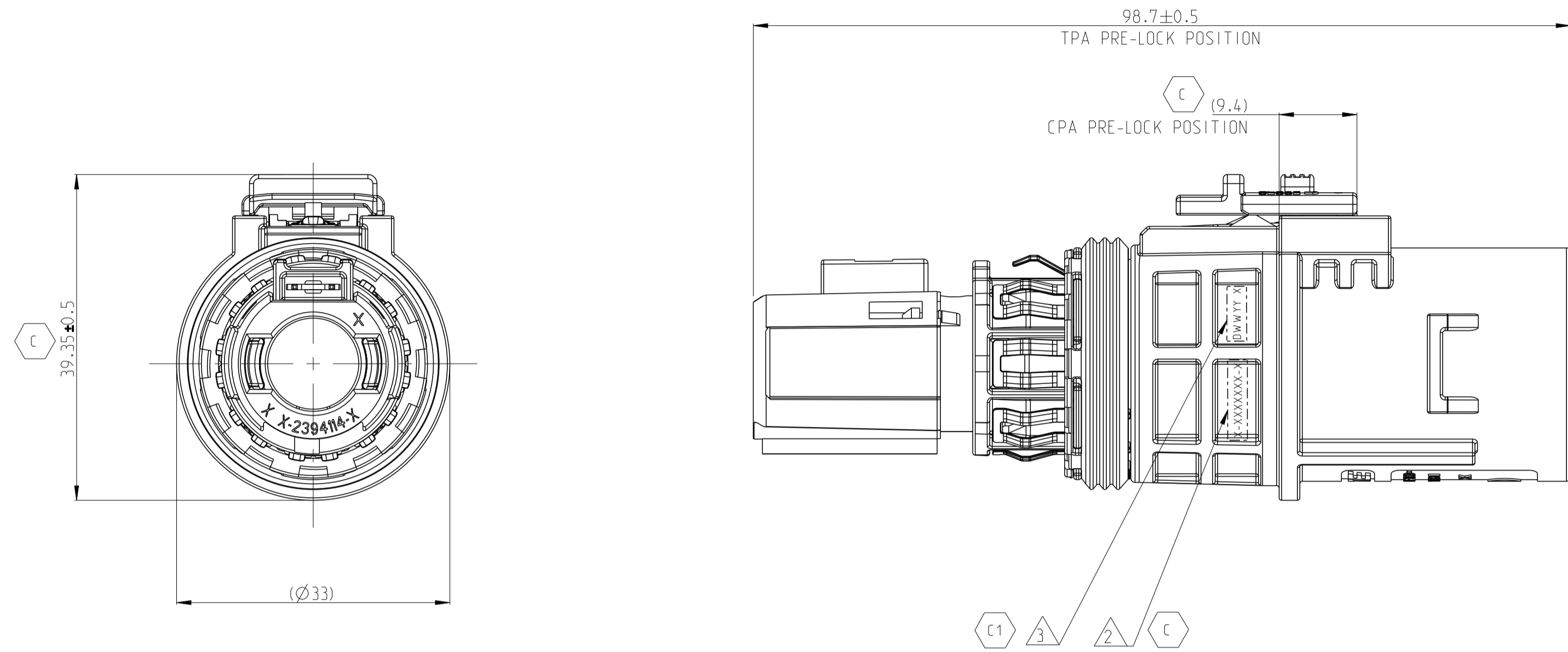
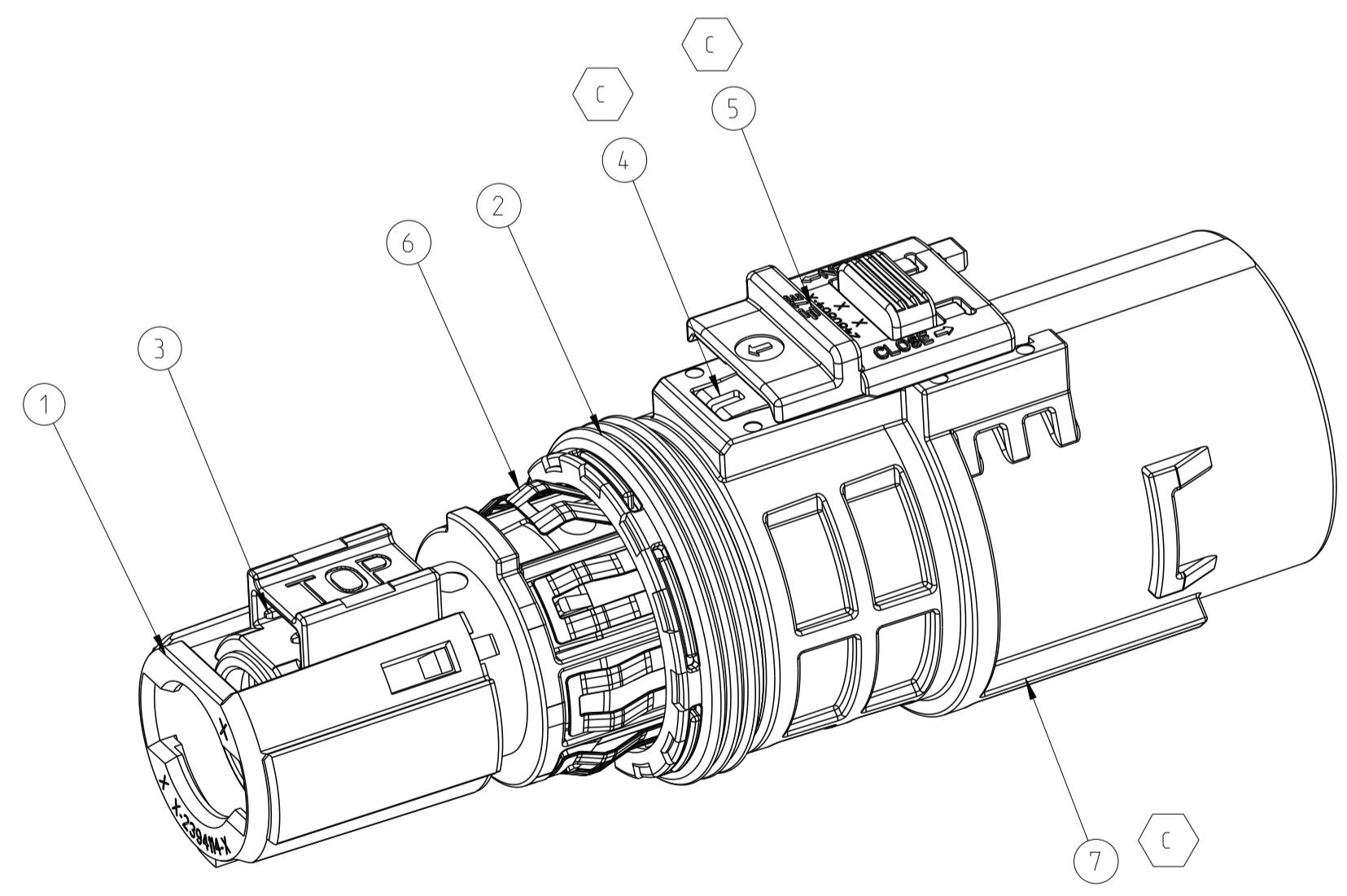


REVISIONS				
P	LTN	DESCRIPTION	DATE	APVD
A1		REVISE	23MAY2022	C.C Z.Z
B		REVISE	13MAR2023	C.C Z.Z
C		PCN-24-206191	14NOV2024	S.T Z.Z
C1		PCN-24-206191	21NOV2024	S.T Z.Z



- 1 CODE VARIETY
- 2 ASSEMBLY PN
- 3 DATE CODE + PART REVISION LEVEL
- 4. APPLICATION TEMP. -40°C ~ 140°C

1-2394085-3	C	M	PLUG ASSEMBLY HVP-HD1000 FINGER ACCESS	FOLLOW 2394085-1 PLUG TPA	M	PA66-GF	AQUA RED	(33)	1	2-7	1
1-2394085-2	C	L	PLUG ASSEMBLY HVP-HD1000 FINGER ACCESS	FOLLOW 2394085-1 PLUG TPA	L	PA66-GF	AQUA BROWN	(33)	1	2-7	1
1-2394085-1	C	K	PLUG ASSEMBLY HVP-HD1000 FINGER ACCESS	FOLLOW 2394085-1 PLUG TPA	K	PA66-GF	AQUA GREEN	(33)	1	2-7	1
2394085-9	C	J	PLUG ASSEMBLY HVP-HD1000 FINGER ACCESS	FOLLOW 2394085-1 PLUG TPA	J	PA66-GF	ORANGE	(33)	1	2-7	1
2394085-8	C	H	PLUG ASSEMBLY HVP-HD1000 FINGER ACCESS	FOLLOW 2394085-1 PLUG TPA	H	PA66-GF	YELLOW	(33)	1	2-7	1
2394085-7	C	G	PLUG ASSEMBLY HVP-HD1000 FINGER ACCESS	FOLLOW 2394085-1 PLUG TPA	G	PA66-GF	RED	(33)	1	2-7	1
2394085-6	C	F	PLUG ASSEMBLY HVP-HD1000 FINGER ACCESS	FOLLOW 2394085-1 PLUG TPA	F	PA66-GF	BROWN	(33)	1	2-7	1
2394085-5	C	E	PLUG ASSEMBLY HVP-HD1000 FINGER ACCESS	FOLLOW 2394085-1 PLUG TPA	E	PA66-GF	GREEN	(33)	1	2-7	1
2394085-4	C	D	PLUG ASSEMBLY HVP-HD1000 FINGER ACCESS	FOLLOW 2394085-1 PLUG TPA	D	PA66-GF	PURPLE	(33)	1	2-7	1
2394085-3	C	C	PLUG ASSEMBLY HVP-HD1000 FINGER ACCESS	FOLLOW 2394085-1 PLUG TPA	C	PA66-GF	BLUE	(33)	1	2-7	1
2394085-2	C	B	PLUG ASSEMBLY HVP-HD1000 FINGER ACCESS	FOLLOW 2394085-1 PLUG TPA	B	PA66-GF	NATURE	(33)	1	2-7	1
2394085-1	C	A	PLUG ASSEMBLY HVP-HD1000 FINGER ACCESS	PLUG HOUSING	-	PA10T-GF	ORNGGE	(33)	1	7	C
				SHIELDING	-	COPPER ALLOY	Ag PLATED		1	6	
				CPA - FINGER ACCESS	-	PA66-GF	RED		1	5	
				CPA SPRING	-	STAINLESS STEEL	-		1	4	
				HVIL	-	COPPER	Ag PLATED		1	3	
				PERIPHERAL SEAL	-	SILICION	-		1	2	
PLUG TPA	A	PA66-GF	BLACK	1	1	C					
TE ASSY NO.	TE REV.	CODE	DESCRIPTION	DESCRIPTION	CODE		MATERIAL	SURFACE COLOR	WEIGHT (g)	QTY	ITEM



FOR FINGER ACCESS

THIS DRAWING IS A CONTROLLED DOCUMENT.

TE Connectivity

DATE: 26AUG2021

NAME: PLUG ASSEMBLY HVP-HD1000

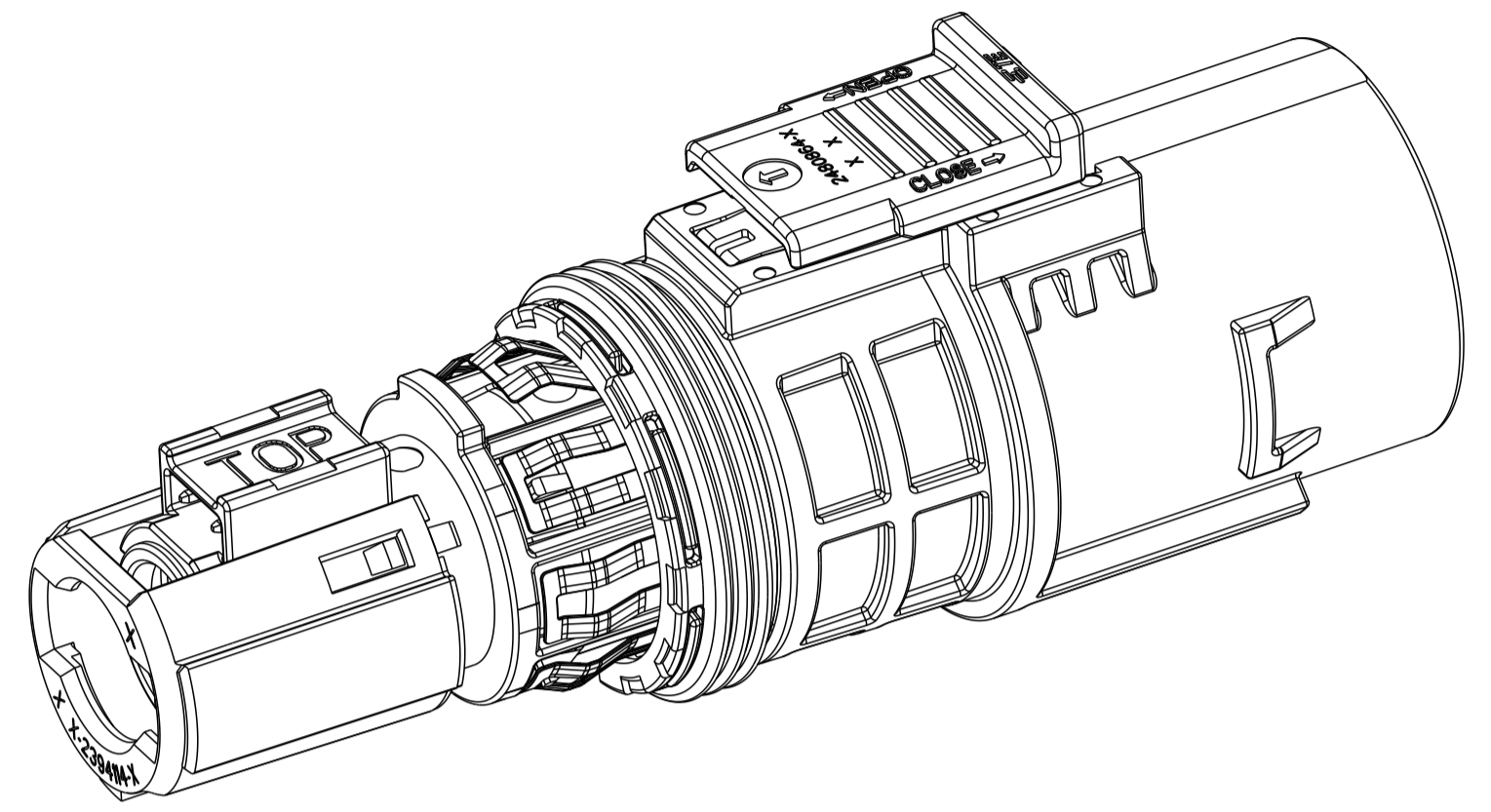
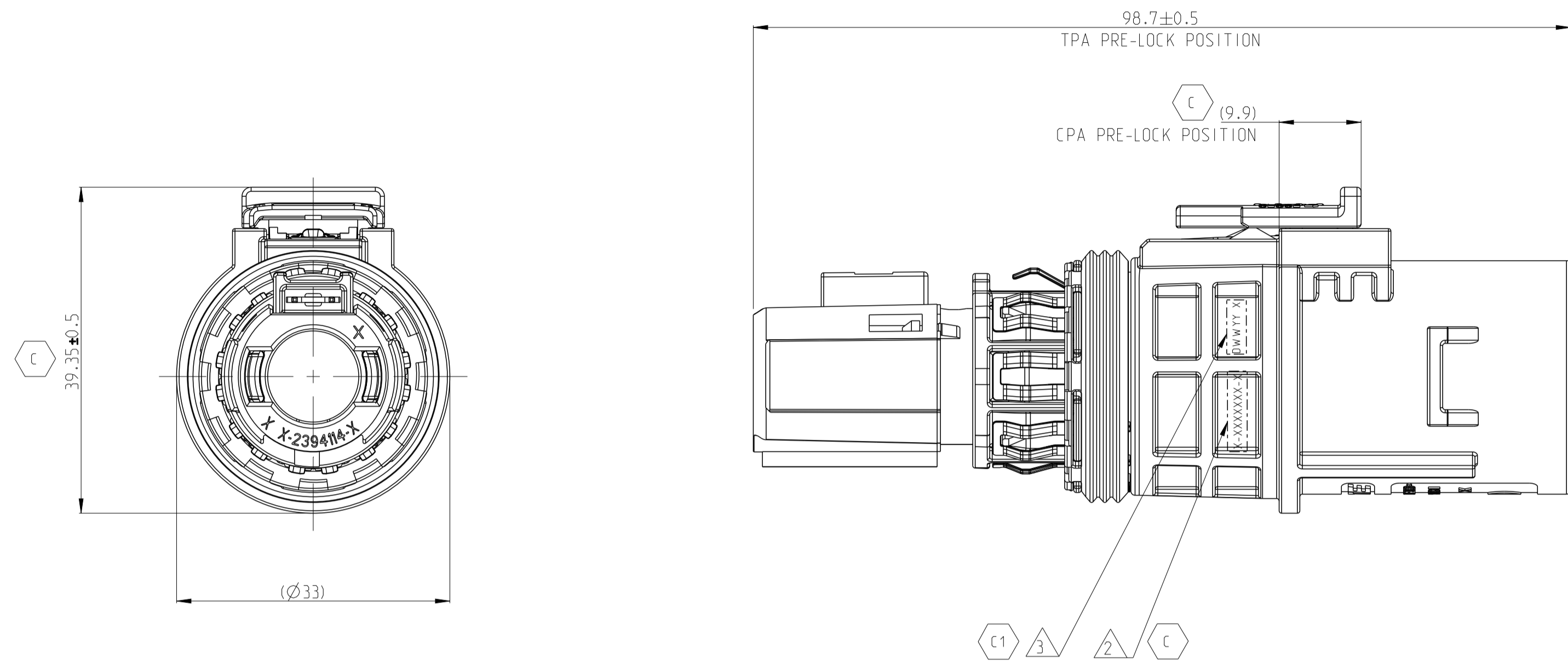
SIZE: 116-160182

SCALE: 2:1

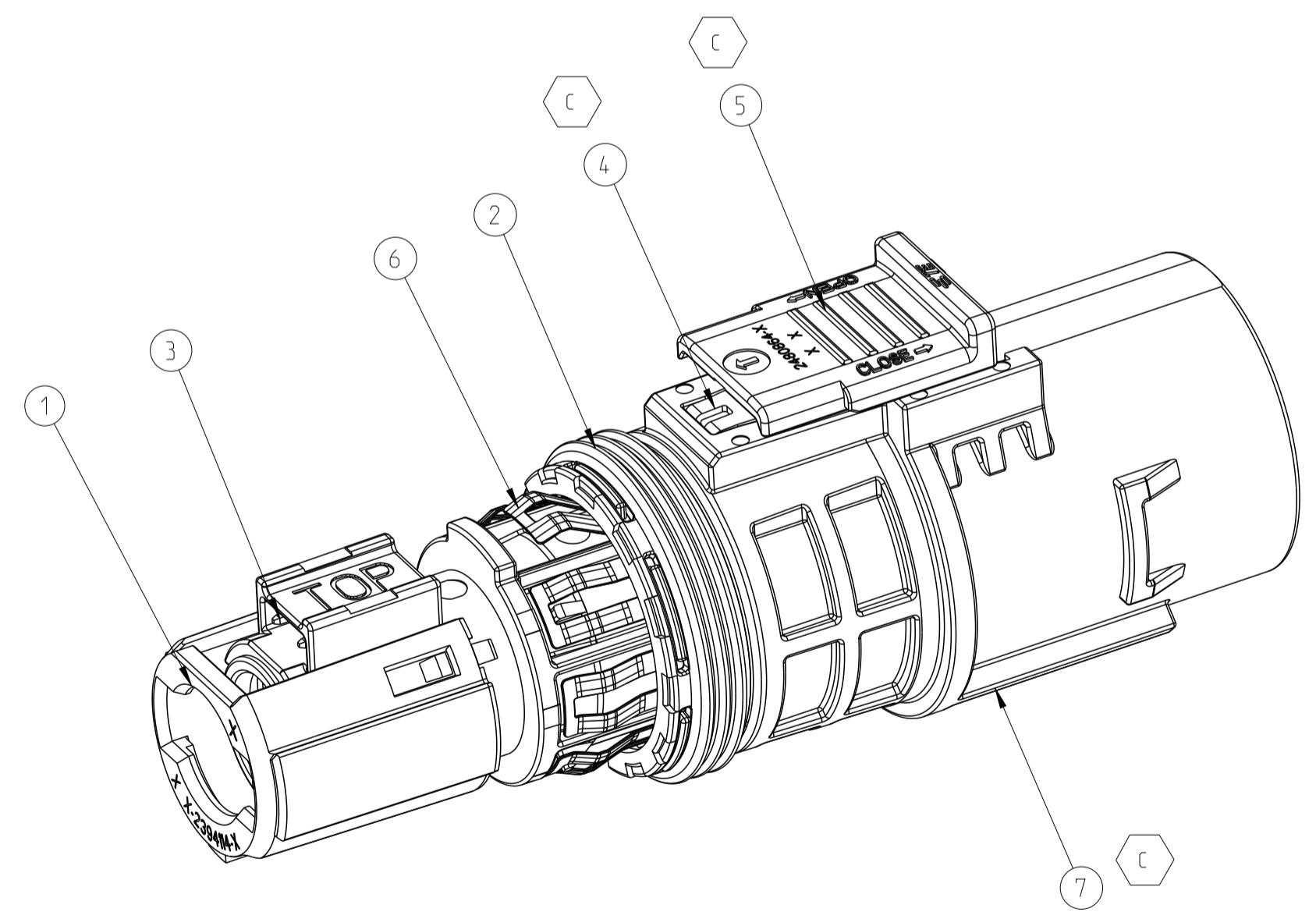
SHEET 1 OF 3

REV C1

REVISIONS				
P.	LTN	DESCRIPTION	DATE	APVD
		SEE SHEET 1		



TE ASSY NO.	TE REV.	CODE	DESCRIPTION	DESCRIPTION	CODE	MATERIAL	SURFACE COLOR	WEIGHT (g)	QTY	ITEM
3-2394085-3	C	M	PLUG ASSEMBLY HVP-HD1000 TOOL ACCESS	FOLLOW 2394085-1 PLUG TPA	M	PA66-GF	AQUA RED	(33)	1	2-7
3-2394085-2	C	L	PLUG ASSEMBLY HVP-HD1000 TOOL ACCESS	FOLLOW 2394085-1 PLUG TPA	L	PA66-GF	AQUA BROWN	(33)	1	2-7
3-2394085-1	C	K	PLUG ASSEMBLY HVP-HD1000 TOOL ACCESS	FOLLOW 2394085-1 PLUG TPA	K	PA66-GF	AQUA GREEN	(33)	1	2-7
2-2394085-9	C	J	PLUG ASSEMBLY HVP-HD1000 TOOL ACCESS	FOLLOW 2394085-1 PLUG TPA	J	PA66-GF	ORANGE	(33)	1	2-7
2-2394085-8	C	H	PLUG ASSEMBLY HVP-HD1000 TOOL ACCESS	FOLLOW 2394085-1 PLUG TPA	H	PA66-GF	YELLOW	(33)	1	2-7
2-2394085-7	C	G	PLUG ASSEMBLY HVP-HD1000 TOOL ACCESS	FOLLOW 2394085-1 PLUG TPA	G	PA66-GF	RED	(33)	1	2-7
2-2394085-6	C	F	PLUG ASSEMBLY HVP-HD1000 TOOL ACCESS	FOLLOW 2394085-1 PLUG TPA	F	PA66-GF	BROWN	(33)	1	2-7
2-2394085-5	C	E	PLUG ASSEMBLY HVP-HD1000 TOOL ACCESS	FOLLOW 2394085-1 PLUG TPA	E	PA66-GF	GREEN	(33)	1	2-7
2-2394085-4	C	D	PLUG ASSEMBLY HVP-HD1000 TOOL ACCESS	FOLLOW 2394085-1 PLUG TPA	D	PA66-GF	PURPLE	(33)	1	2-7
2-2394085-3	C	C	PLUG ASSEMBLY HVP-HD1000 TOOL ACCESS	FOLLOW 2394085-1 PLUG TPA	C	PA66-GF	BLUE	(33)	1	2-7
2-2394085-2	C	B	PLUG ASSEMBLY HVP-HD1000 TOOL ACCESS	FOLLOW 2394085-1 PLUG TPA	B	PA66-GF	NATURE	(33)	1	2-7
2-2394085-1	C	A	PLUG ASSEMBLY HVP-HD1000 TOOL ACCESS	PLUG HOUSING	-	PA10T-GF	ORNGE	(33)	1	7
				STAINLESS STEEL	-	COPPER	Ag PLATED		1	6
				CPA - TOOL ACCESS	-	PA66-GF	RED		1	5
				CPA SPRING	-	STEEL	-		1	4
				HVIL	-	COPPER	Ag PLATED		1	3
				PERIPHERAL SEAL	-	SILICION	-		1	2
				PLUG TPA	A	PA66-GF	BLACK		1	1



FOR TOOL ACCESS

THIS DRAWING IS A CONTROLLED DOCUMENT. DWG P.L.L.I.N.G 26AUG2021
 CHK J.J.I 26AUG2021
 APVD L.Y.X.I.N 26AUG2021

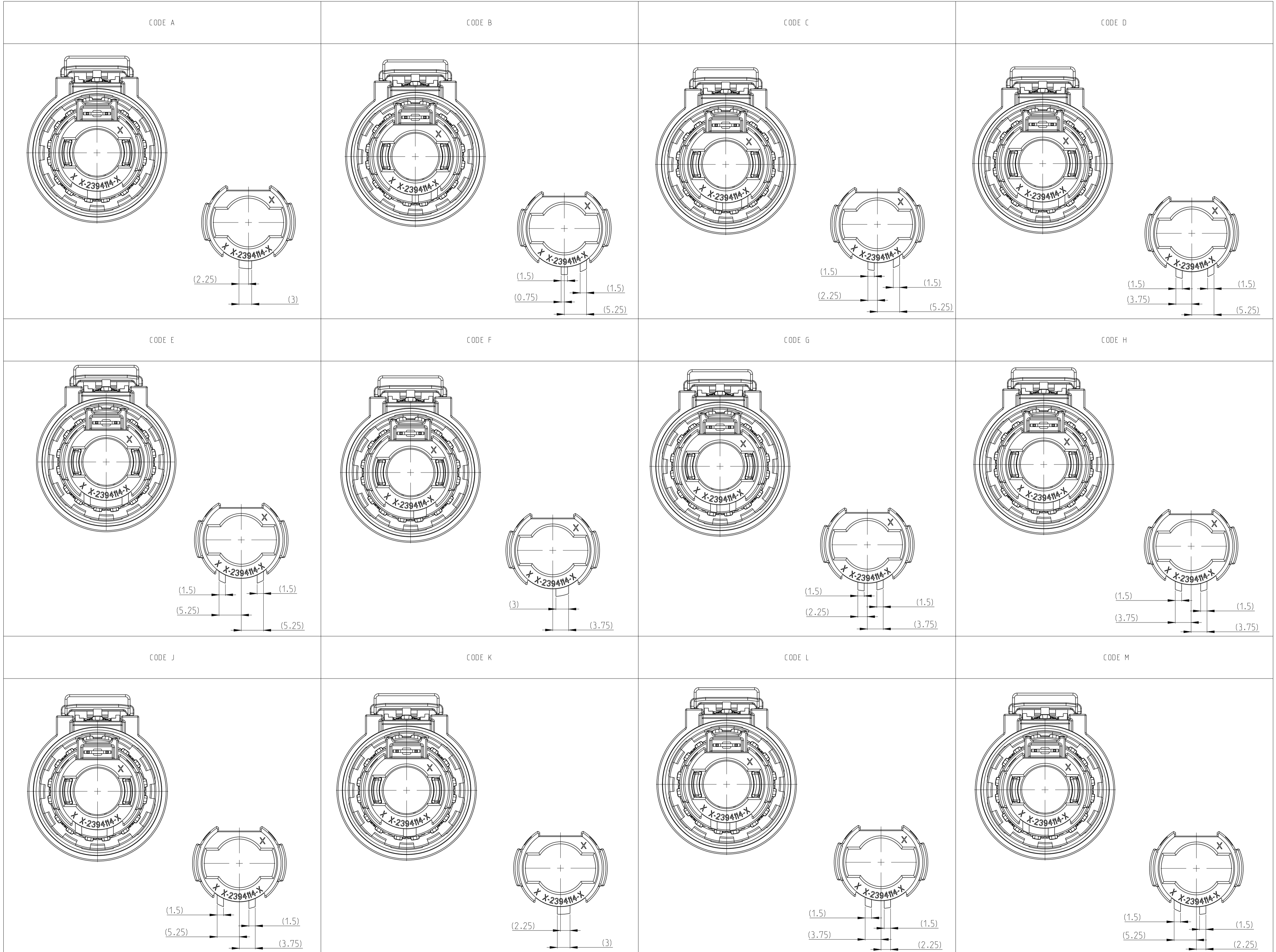
DIMENSIONS: mm TOLERANCES UNLESS OTHERWISE SPECIFIED: ±0.5
 7 PLC ±0.1
 2 PLC ±0.05
 3 PLC ±0.05
 4 PLC ±0.0001
 ANGLES UNLESS INDICATED

MATERIAL: CUSTOMER DRAWING

NAME: PLUG ASSEMBLY HVP-HD1000
 PRODUCT SPEC: 108-160341
 APPLICATION SPEC: 116-160182
 WEIGHT: SEE TABLE
 SCALE: 2:1 SHEET 2 OF 3

TE Connectivity
 SIZE: A CAGE CODE: 00779 DRAWING NO: 2394085
 RESTRICTED TO: REV C 1

REVISIONS				
P	LTN	DESCRIPTION	DATE	APVD
		SEE SHEET 1		



THIS DRAWING IS A CONTROLLED DOCUMENT.		OWN: E.L.LING 26AUG2021	
DIMENSIONS: mm		CHK: J.L.I 26AUG2021	
TOLERANCES UNLESS OTHERWISE SPECIFIED: ±0.5 1 PLC ±0.1 2 PLC ±0.25 3 PLC ±0.254 4 PLC ±0.0001 UNLESS OTHERWISE SPECIFIED		APVD: J.L.I 26AUG2021	NAME: PLUG ASSEMBLY HVP-HD 1000
		PRODUCT SPEC: 108-160341	SIZE: CAGE CODE DRAWING NO
MATERIAL: UNLESS OTHERWISE SPECIFIED		APPLICATION SPEC: 116-160182	RESTRICTED TO: []
		WEIGHT: SEE TABLE	SCALE: 2:1 SHEET 3 OF 3 REV: 1
		CUSTOMER DRAWING	00779 ©=2394085