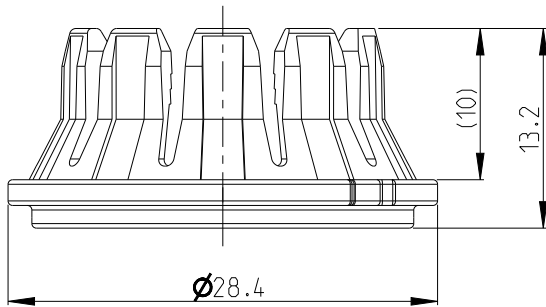
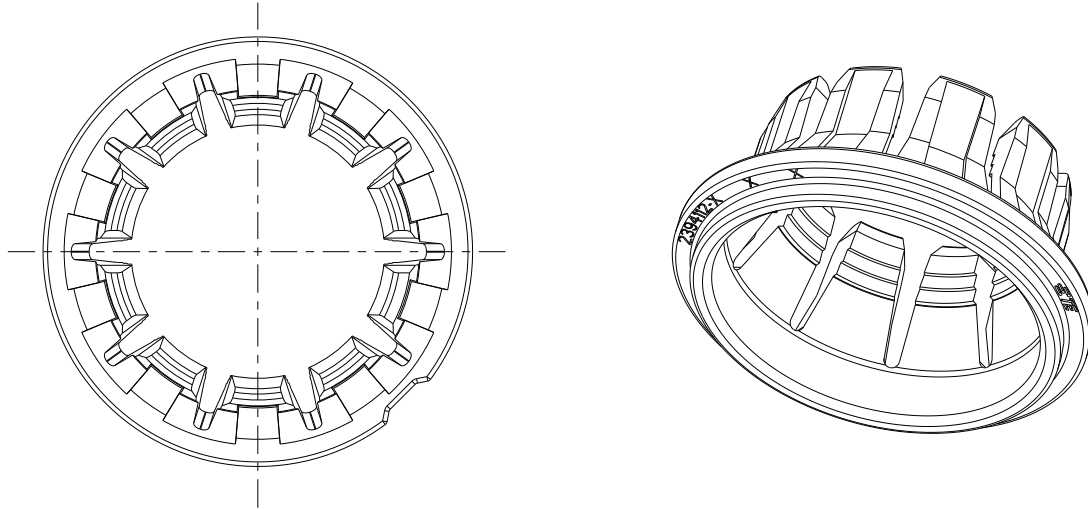


REVISIONS					
P	LTR	DESCRIPTION	DATE	DWN	APVD
	A	INITIAL DRAWING	26AUG21	S.T	I.Y
	A1	REVISE	05DEC23	C.C	Z.Z



- 1 MATERIAL: PA66-GF30  
COLOR: SEE TABLE
- 2. BULK PACKAGED



© 2021 TE Connectivity. All Rights Reserved.

2394112-3	CABLE CLIP - 70SQ	1	1.70	BLACK	16.7	17.3
2394112-2	CABLE CLIP - 50SQ	1	1.90	BLACK	14.6	15.2
2394112-1	CABLE CLIP - 35SQ	1	1.95	BLACK	12.4	13.0
PART NO.	DESCRIPTION	MATERIAL	WEIGHT(g)	COLOR	MIN.	MAX.
					CABLE O.D.	

DIMENSIONS: mm  TOLERANCES UNLESS OTHERWISE SPECIFIED: $\pm 0.3$ 0 PLC $\pm$ 1 PLC $\pm 0.1$ 2 PLC $\pm 0.01$ 3 PLC $\pm 0.001$ 4 PLC $\pm 0.0001$ ANGLES $\pm$	DWN S.TAN 26AUG2021	MATERIAL	FINISH		
	CHK J.L.I 26AUG2021	1			
APVD I.YIN 26AUG2021	PRODUCT SPEC 108-160341	NAME CABLE CLIP HVP-HD1000			
APVD I.YIN 26AUG2021	APPLICATION SPEC 114-160182	SIZE A 4	CAGE CODE 00779	DRAWING NO C-2394112	RESTRICTED TO -
WEIGHT SEE TABLE	CUSTOMER DRAWING	SCALE 2:1	SHEET 1 OF 1	REV A1	